



US00D563549S

(12) **United States Design Patent**  
**Mulhauser et al.**

(10) **Patent No.:** **US D563,549 S**  
(45) **Date of Patent:** **\*\* Mar. 4, 2008**

(54) **FLOWABLE DENTAL COMPOSITION DISPENSER**

(75) Inventors: **Paul Mulhauser**, New York, NY (US);  
**Karl D. Kirk, III**, New York, NY (US); **David Czarnecki**, Sommerville, MA (US)

(73) Assignee: **Bisco, Inc.**, Schaumburg, IL (US)

(\*\*) Term: **14 Years**

(21) Appl. No.: **29/239,470**

(22) Filed: **Sep. 30, 2005**

(51) **LOC (8) Cl.** ..... **24-02**

(52) **U.S. Cl.** ..... **D24/113**

(58) **Field of Classification Search** ..... D24/113,  
D24/112, 133, 114, 186, 104, 130; 606/181,  
606/185; 433/36-37, 80-81, 83, 87, 89-90;  
604/191, 82

See application file for complete search history.

(56) **References Cited**

U.S. PATENT DOCUMENTS

4,512,769	A *	4/1985	Kozam et al.	433/80
5,116,315	A *	5/1992	Capozzi et al.	604/82
D356,150	S *	3/1995	Duggan et al.	D24/112
5,848,894	A *	12/1998	Rogers	433/90
5,899,692	A *	5/1999	Davis et al.	433/80
5,961,494	A *	10/1999	Hogan	604/191
6,116,900	A *	9/2000	Ostler	433/89
6,354,837	B1 *	3/2002	Jensen	433/80
6,936,033	B2 *	8/2005	McIntosh et al.	604/191

2002/0081551	A1 *	6/2002	Bopp et al.	433/89
2004/0033466	A1 *	2/2004	Shellard et al.	433/89
2004/0048226	A1 *	3/2004	Garman	433/81
2005/0202365	A1 *	9/2005	Cao et al.	433/89

\* cited by examiner

*Primary Examiner*—Ian Simmons

*Assistant Examiner*—David G Muller

(74) *Attorney, Agent, or Firm*—Richard Schnurr; Homer W. Faucett, III; Ice Miller LLP

(57) **CLAIM**

The ornamental design for a flowable dental composition dispenser, as shown and described.

**DESCRIPTION**

FIG. 1 is a perspective view of the top of a flowable dental composition dispenser;

FIG. 2 is a perspective view of the flowable dental composition dispenser of FIG. 1 with the cap shown exploded;

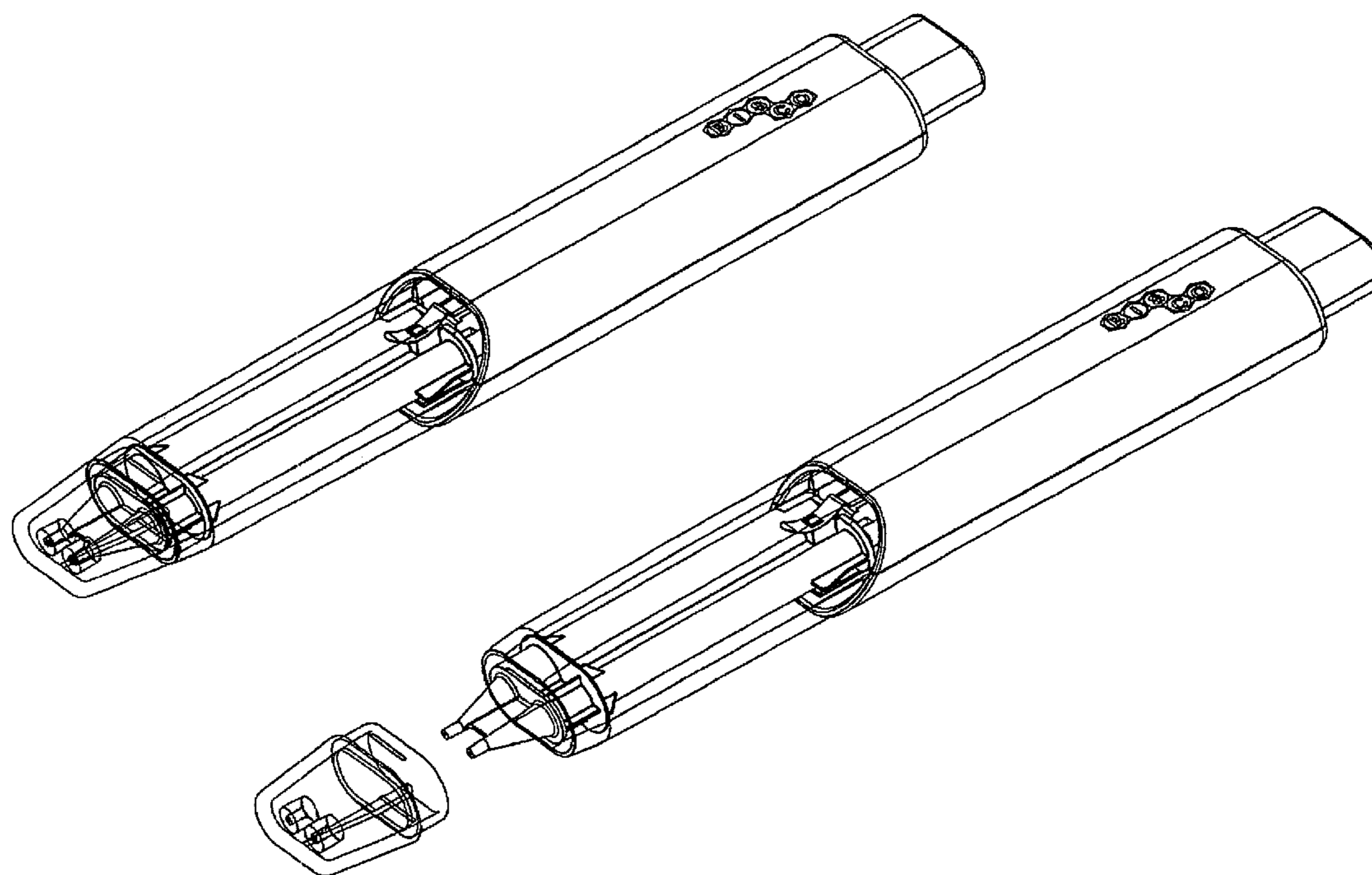
FIG. 3 is a perspective view of the flowable dental composition dispenser of FIG. 1 with the cap and cartridge shown exploded;

FIG. 4 is a top plan view of the flowable dental composition dispenser of FIG. 1 without the cap and with the cartridge shown exploded;

FIG. 5 is a side elevation view of the flowable dental composition dispenser of FIG. 1 without the cartridge or the cap; and,

FIG. 6 is a top plan view thereof.

**1 Claim, 6 Drawing Sheets**



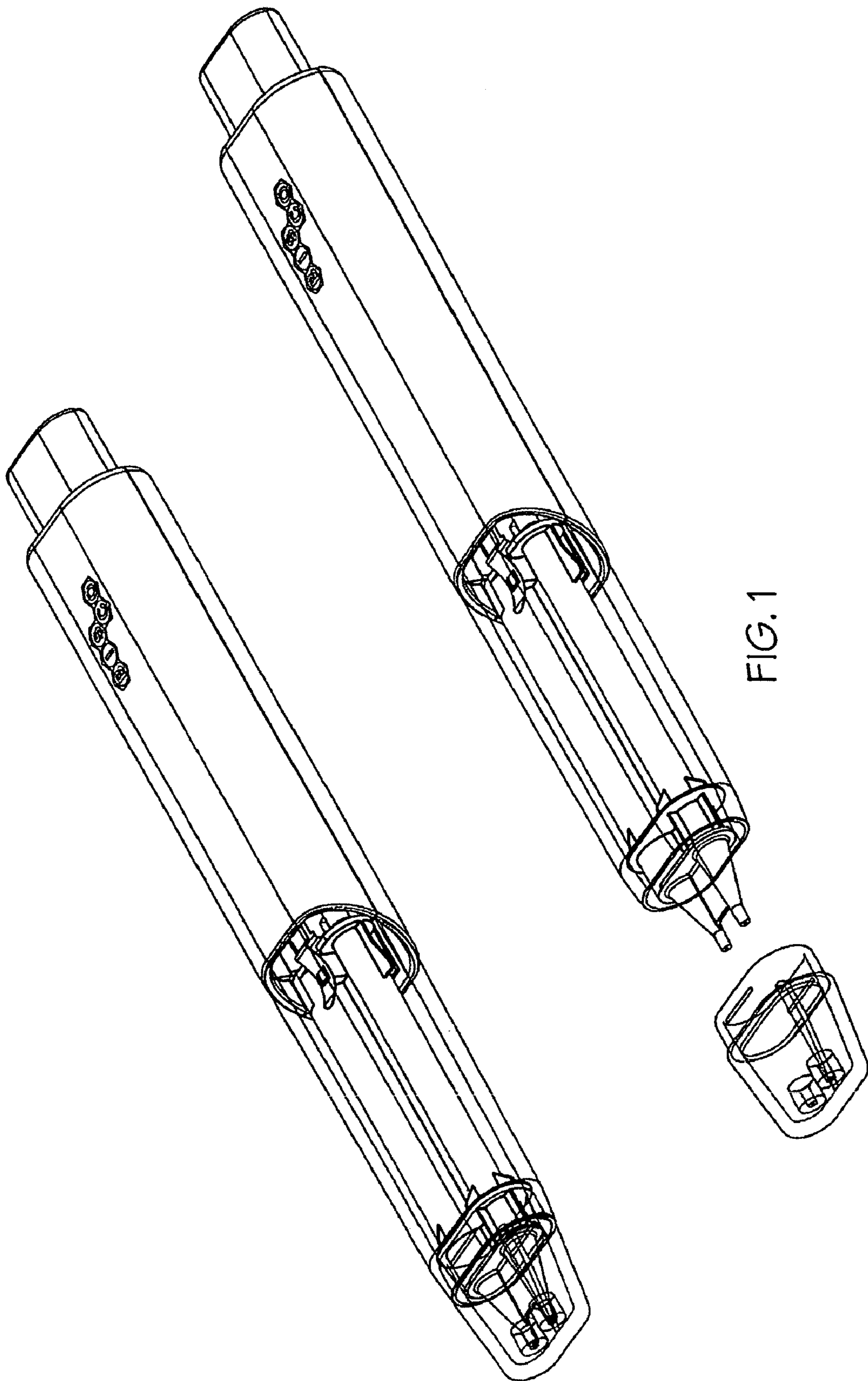


FIG. 1

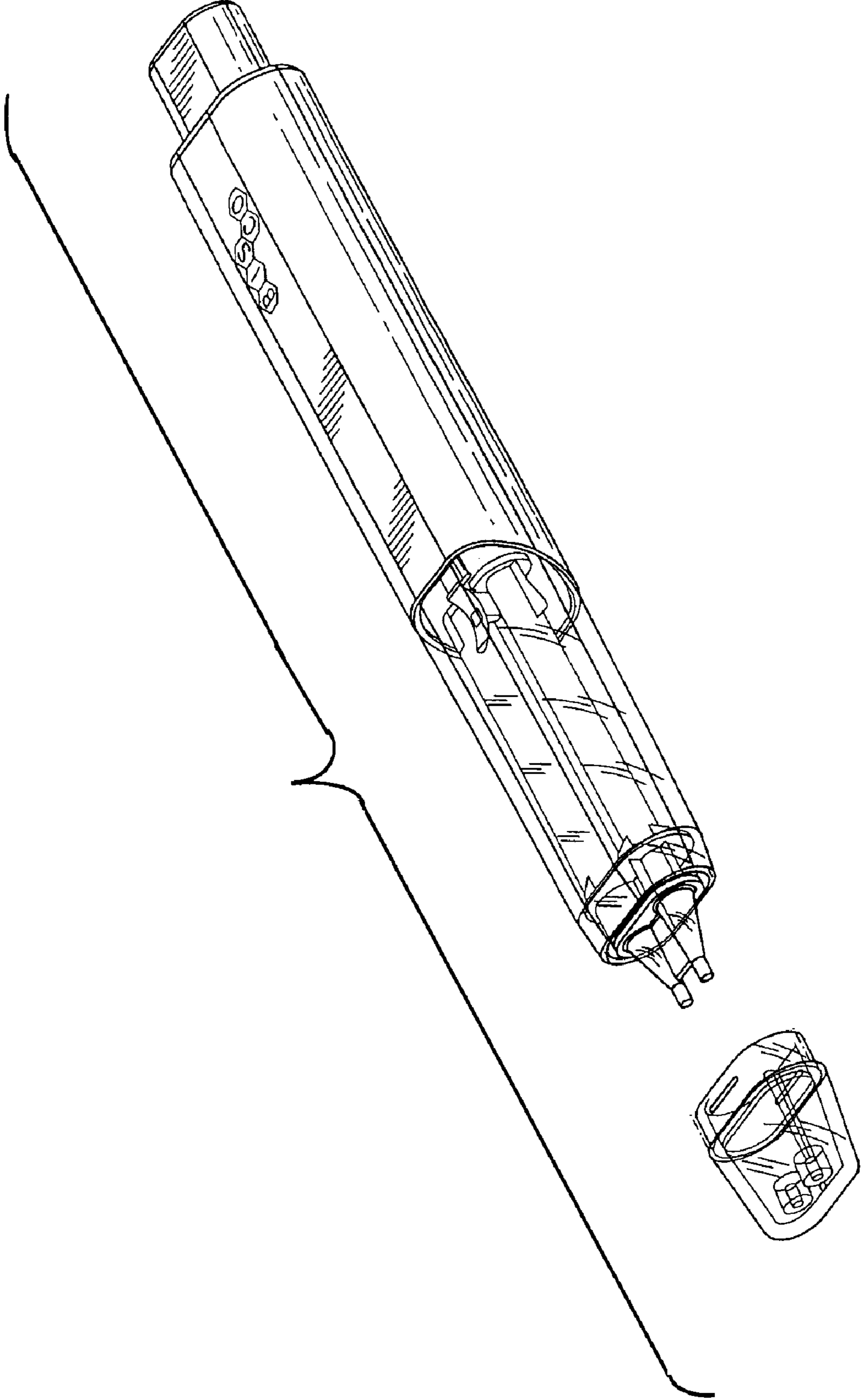


Fig. 2



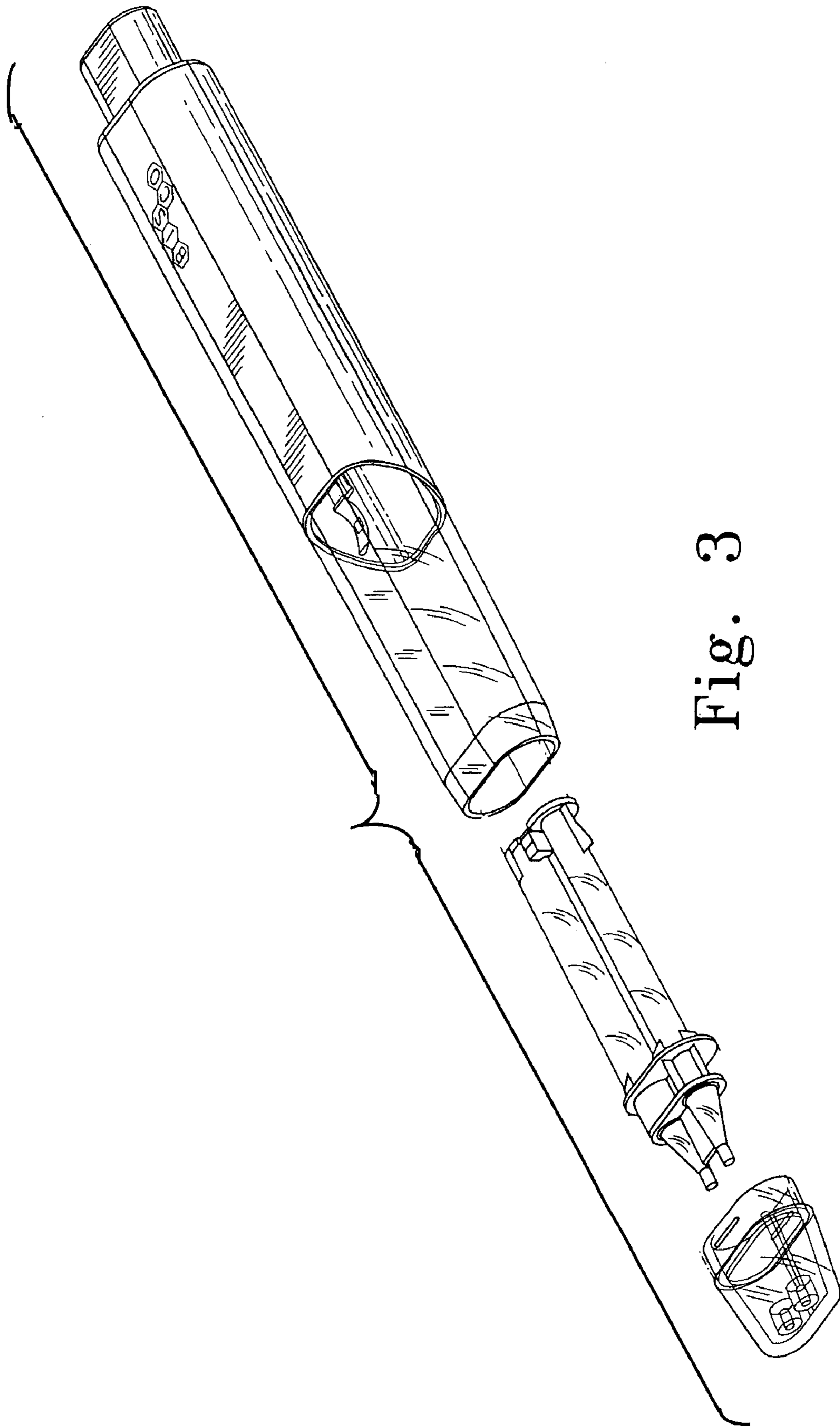


Fig. 3

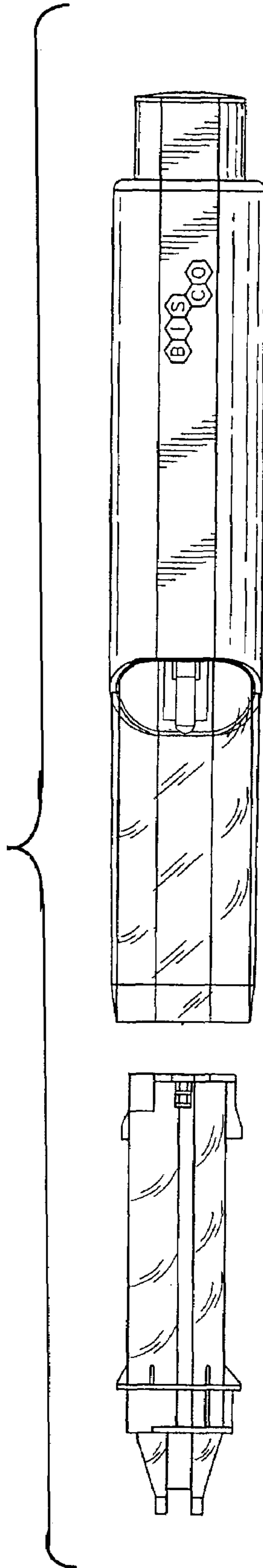


Fig. 4



Fig. 5

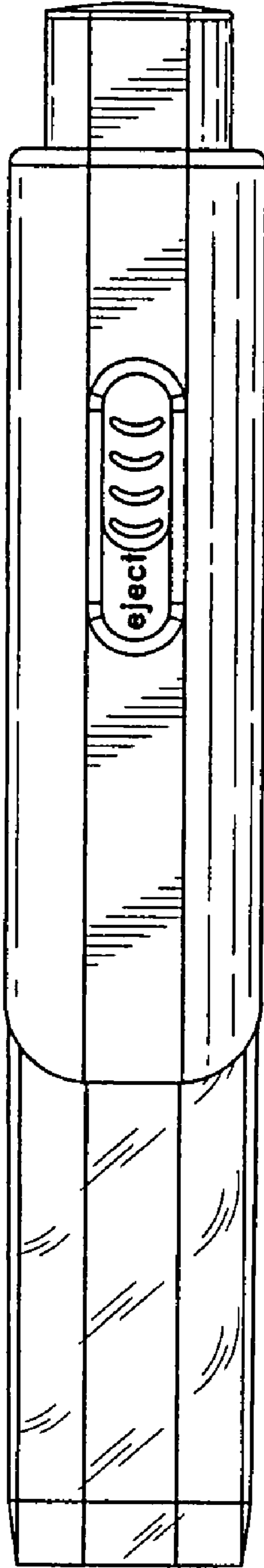


Fig. 6