



US00D563546S

(12) **United States Design Patent**
Lulla et al.

(10) **Patent No.: US D563,546 S**

(45) **Date of Patent: ** *Mar. 4, 2008**

(54) **DEVICE FOR INHALATION**

D527,817 S * 9/2006 Ziegler et al. D24/110
2003/0000523 A1* 1/2003 Citterio 128/203.15

(75) Inventors: **Amar Lulla**, Mumbai (IN); **Geena Malhotra**, Mumbai (IN)

* cited by examiner

(73) Assignee: **Cipla Limited**, Maharashtra (IN)

Primary Examiner—Ian Simmons
Assistant Examiner—Christopher Lee

(**) Term: **14 Years**

(74) *Attorney, Agent, or Firm*—Knobbe Martens Olson & Bear LLP

(21) Appl. No.: **29/242,264**

(57) **CLAIM**

(22) Filed: **Nov. 8, 2005**

The ornamental design for a device for inhalation, as shown and described.

(30) **Foreign Application Priority Data**

May 9, 2005 (IN) 199371

DESCRIPTION

(51) **LOC (8) Cl.** **29-02**

FIG. 1 is a top view thereof;

(52) **U.S. Cl.** **D24/110**

FIG. 2 is a front view thereof;

(58) **Field of Classification Search** D24/110;
128/203.15, 203.21, 200.14, 200.23, 205.24
See application file for complete search history.

FIG. 3 is a back view thereof;

FIG. 4 is a left side view thereof;

FIG. 5 is a right side view thereof;

FIG. 6 is a bottom view thereof; and,

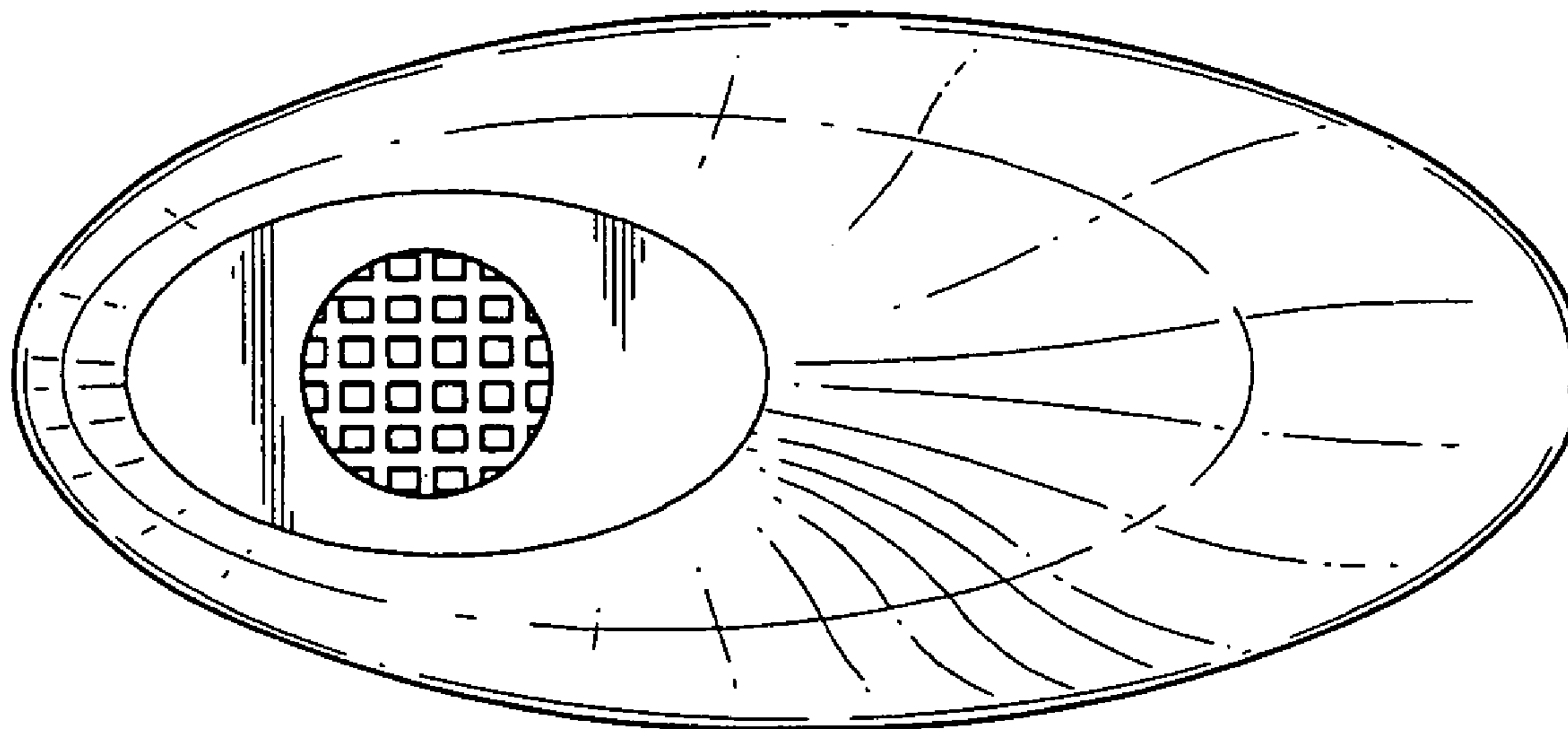
FIG. 7 is a perspective view thereof.

(56) **References Cited**

U.S. PATENT DOCUMENTS

3,991,761 A * 11/1976 Cocozza 128/203.15
4,423,724 A * 1/1984 Young 128/203.15

1 Claim, 7 Drawing Sheets



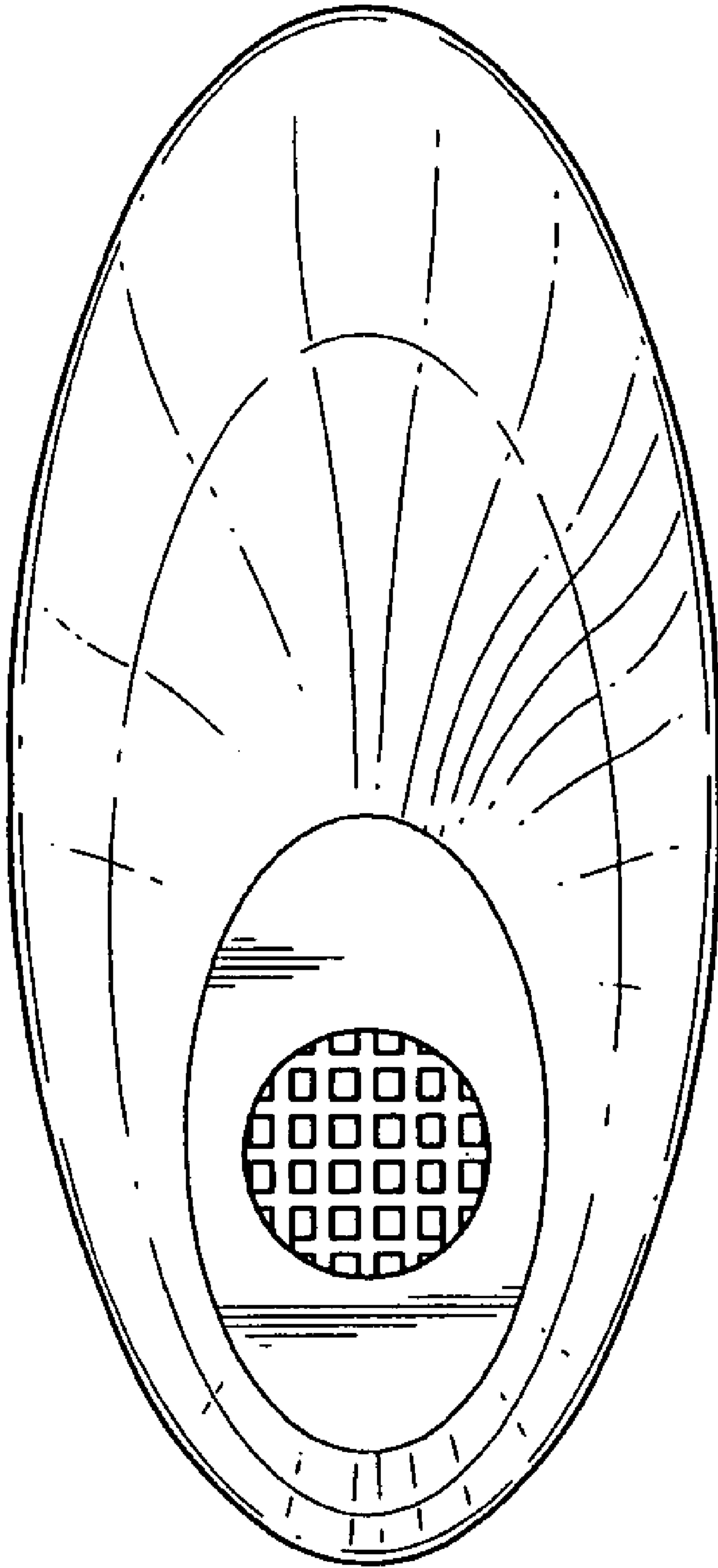


FIG. 1

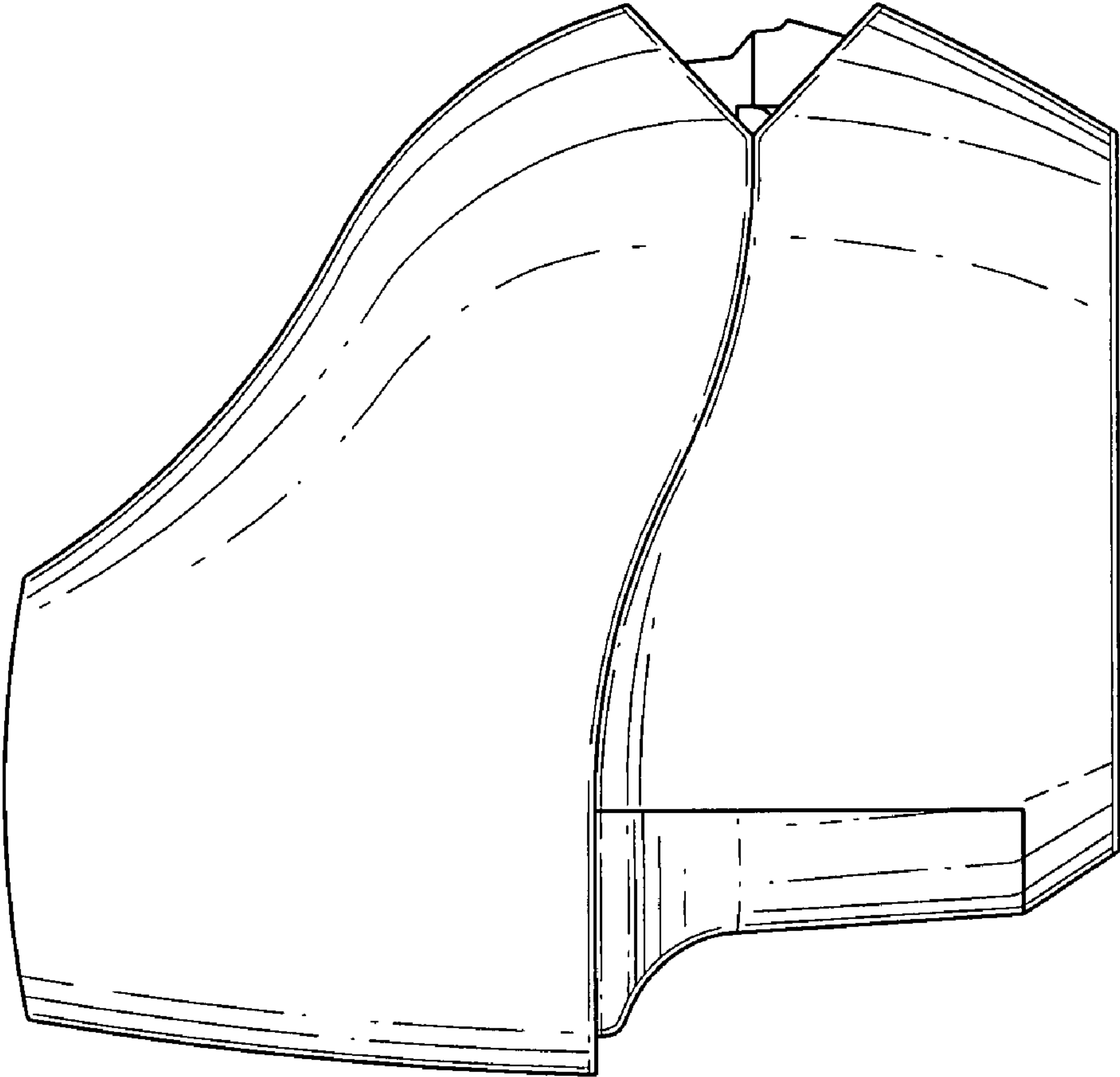


FIG. 2

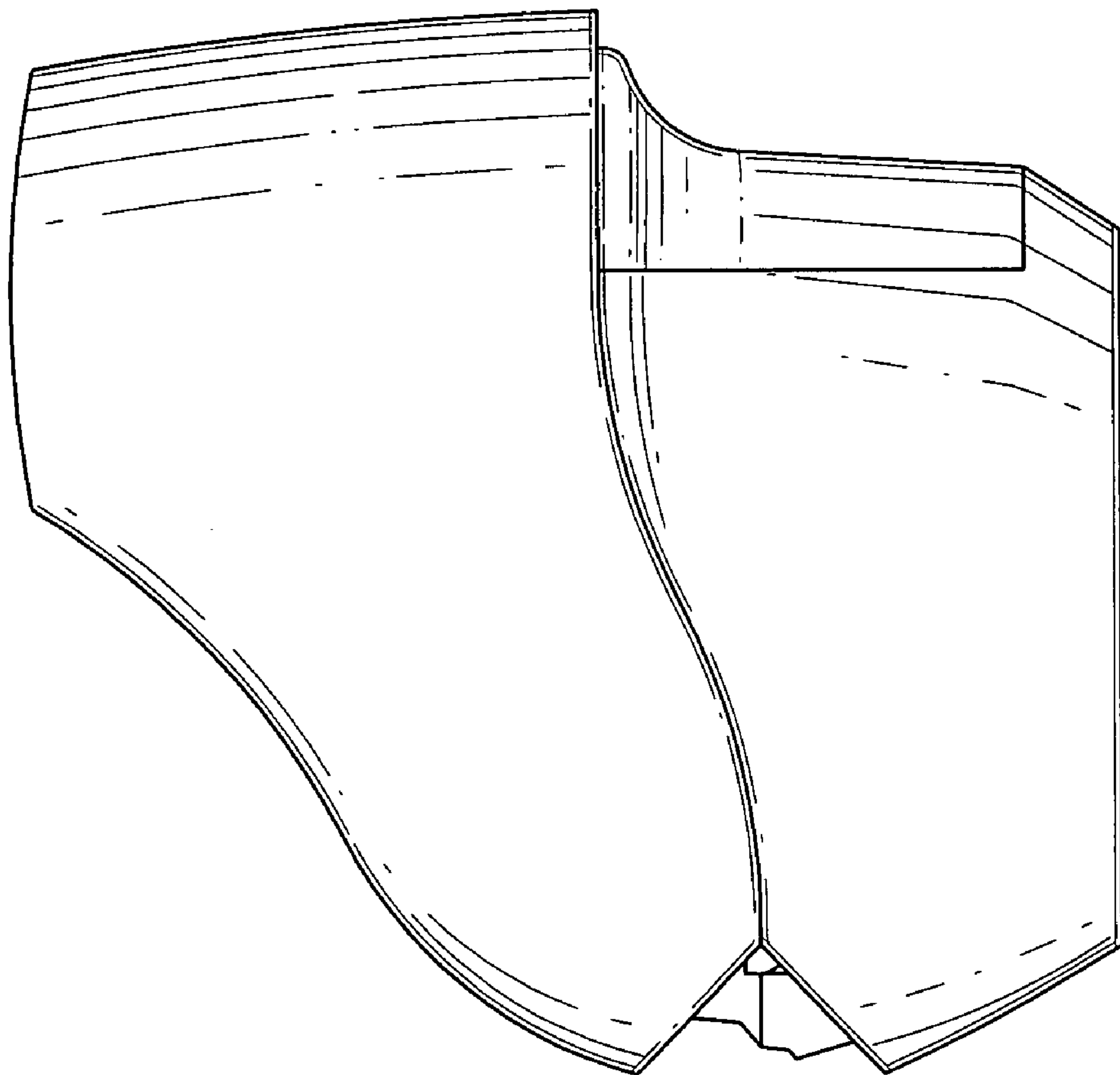


FIG. 3

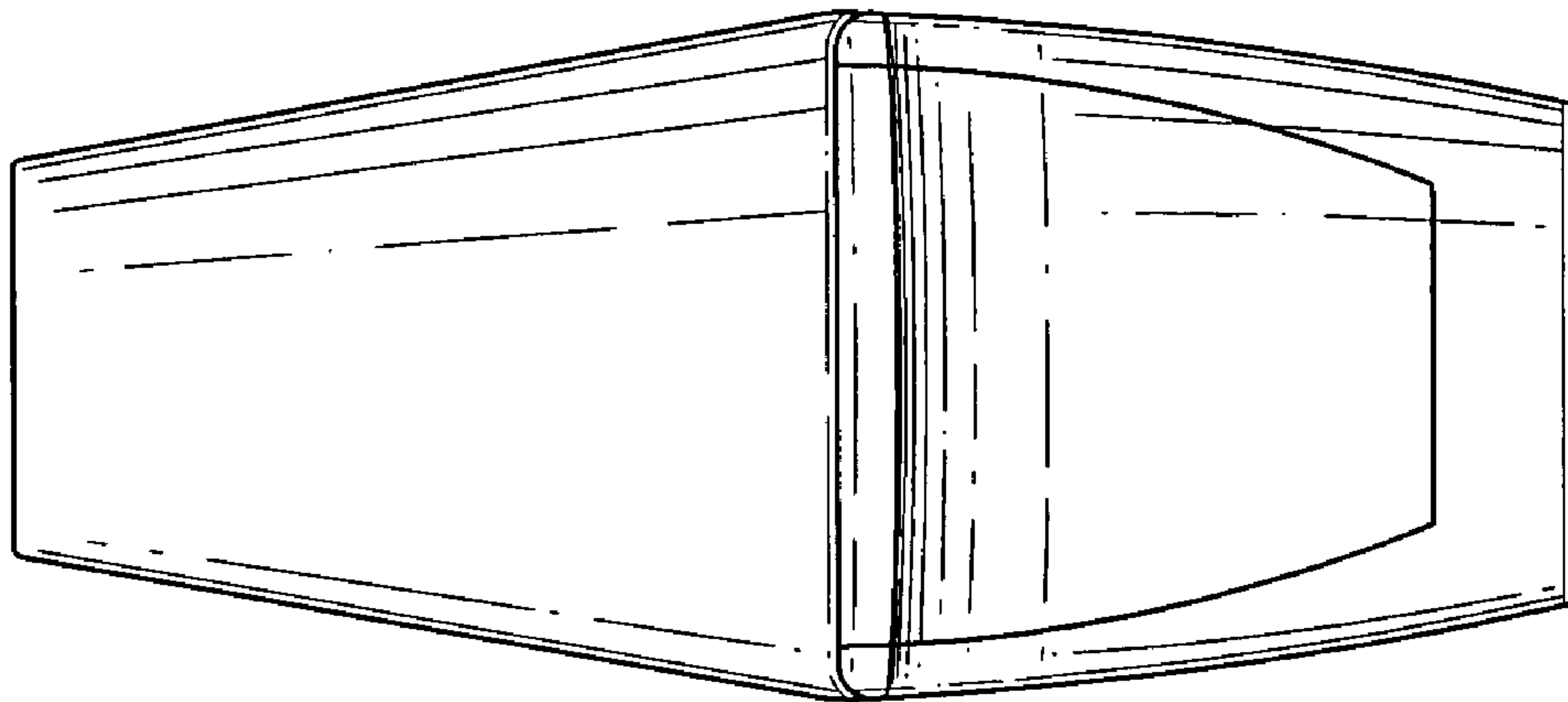


FIG. 4

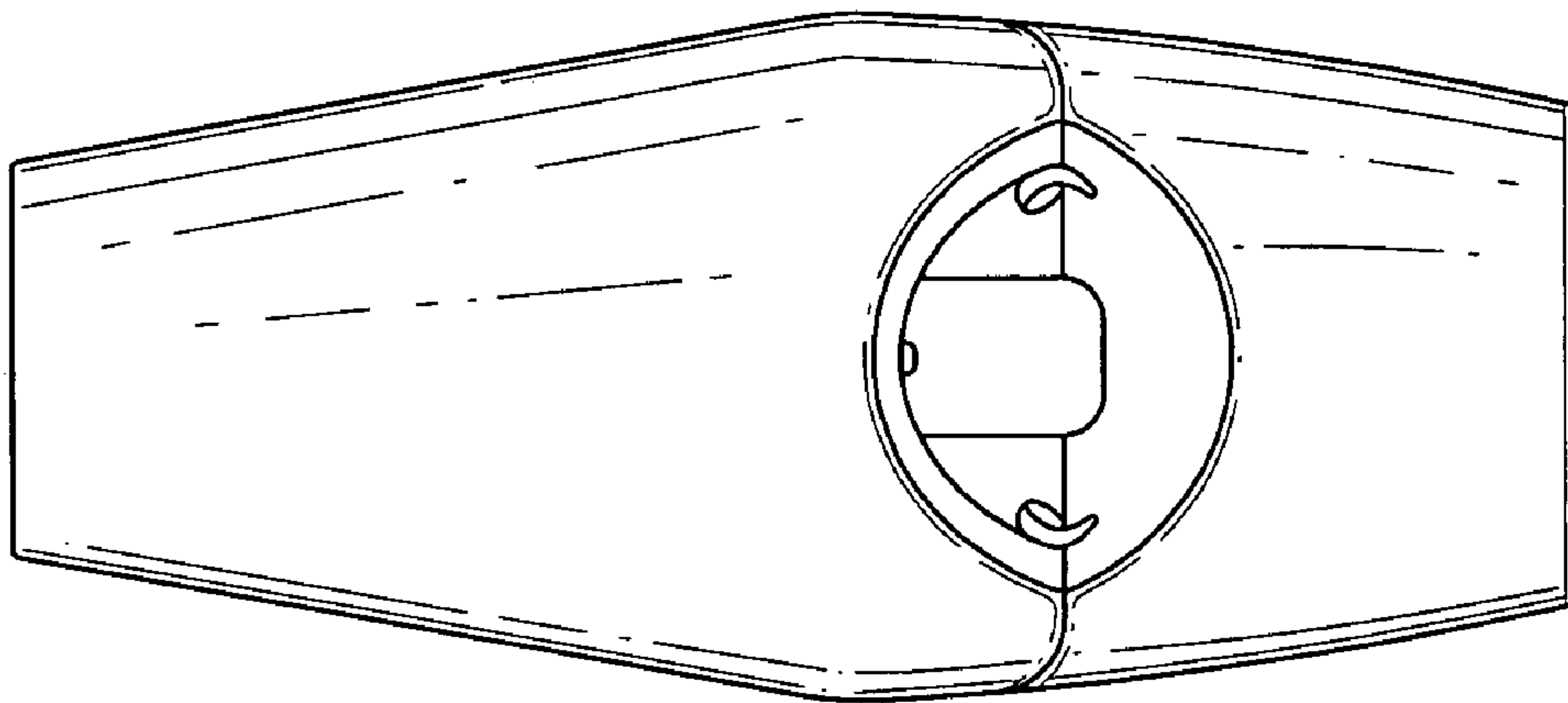


FIG. 5

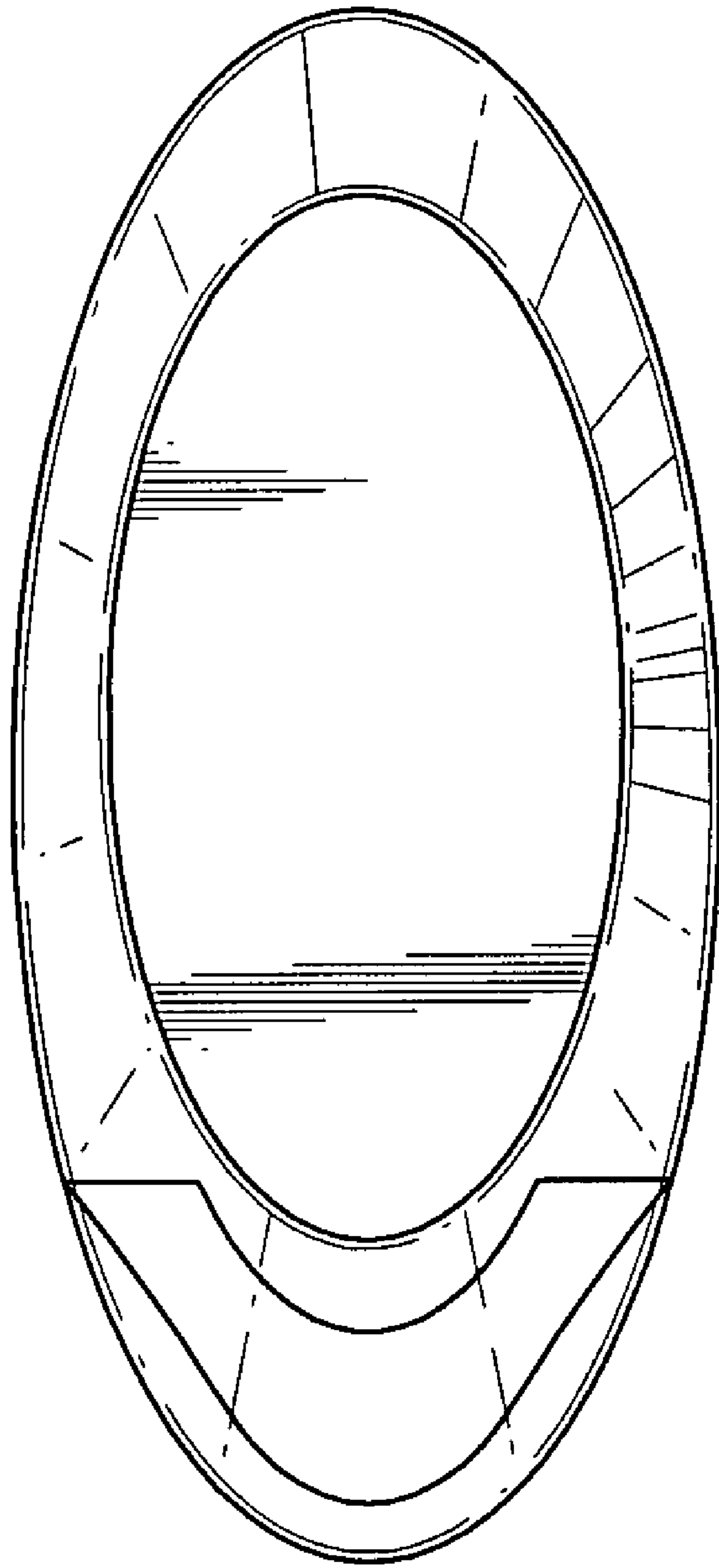


FIG. 6

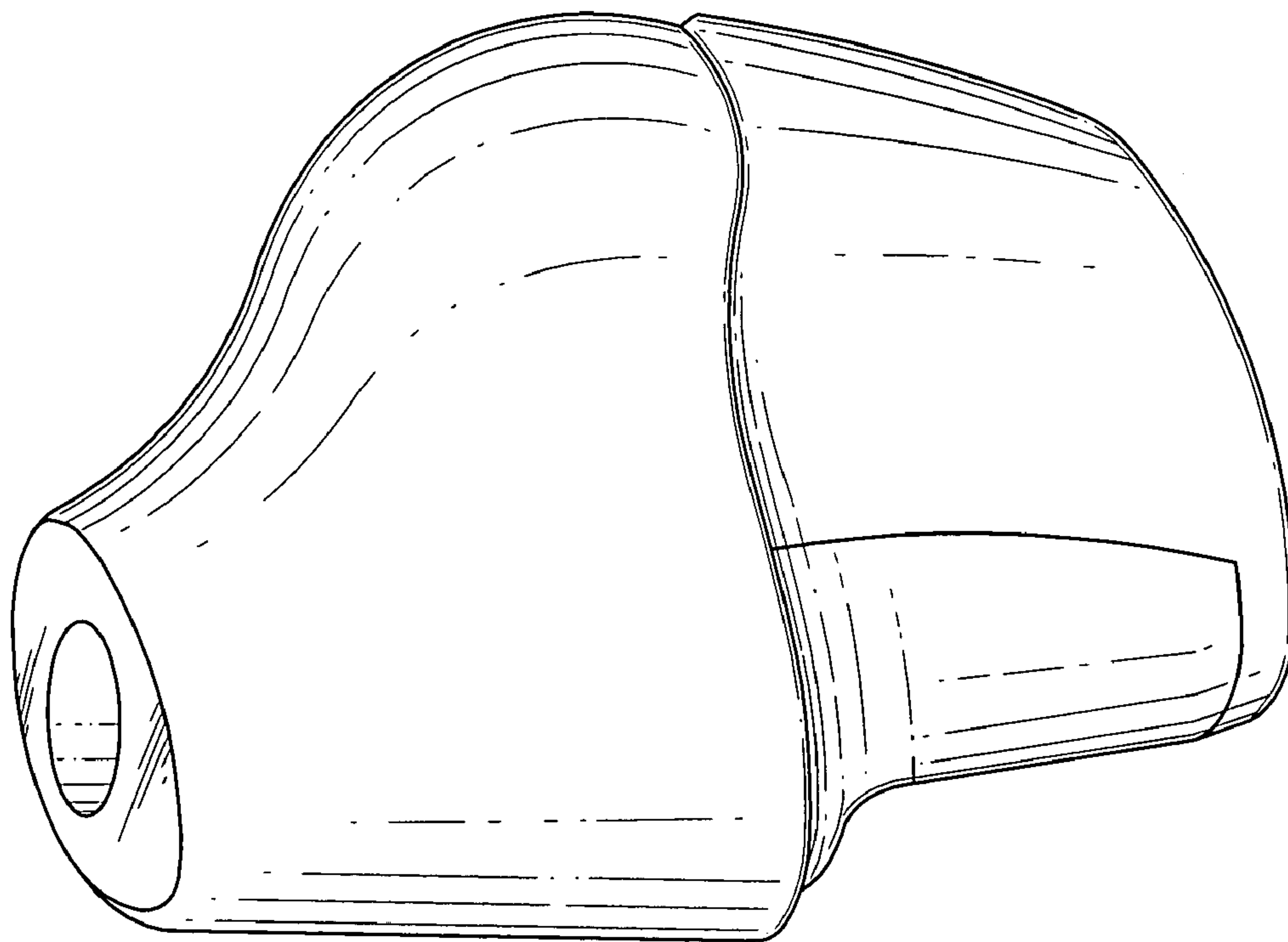


FIG. 7