



US00D563544S

(12) **United States Design Patent**
Hwang et al.

(10) **Patent No.:** **US D563,544 S**
(45) **Date of Patent:** **** Mar. 4, 2008**

(54) **FAN IMPELLER**

D532,903 S * 11/2006 Hirata et al. D23/413

(75) Inventors: **Ching-Bai Hwang**, Taipei Hsien (TW);
Jie Zhang, Shenzhen (CN); **Ran Lin**,
Shenzhen (CN)

* cited by examiner

Primary Examiner—Lisa Lichtenstein

(74) *Attorney, Agent, or Firm*—Frank R. Niranjana

(73) Assignee: **Foxconn Technology Co., Ltd.**,
Tu-Cheng, Taipei Hsien (TW)

(57) **CLAIM**

(**) Term: **14 Years**

The ornamental design for a fan impeller, as shown.

(21) Appl. No.: **29/280,926**

DESCRIPTION

(22) Filed: **Jun. 9, 2007**

FIG. 1 is a perspective view of a fan impeller of our new design;

(51) **LOC (8) Cl.** **23-04**

FIG. 2 is a front elevational view thereof;

(52) **U.S. Cl.** **D23/413**

FIG. 3 is a rear elevational view thereof;

(58) **Field of Classification Search** D23/370,
D23/379, 413; 415/206, 915, 204; D12/214
See application file for complete search history.

FIG. 4 is a left side elevational view thereof;

FIG. 5 is a right side elevational view thereof;

(56) **References Cited**

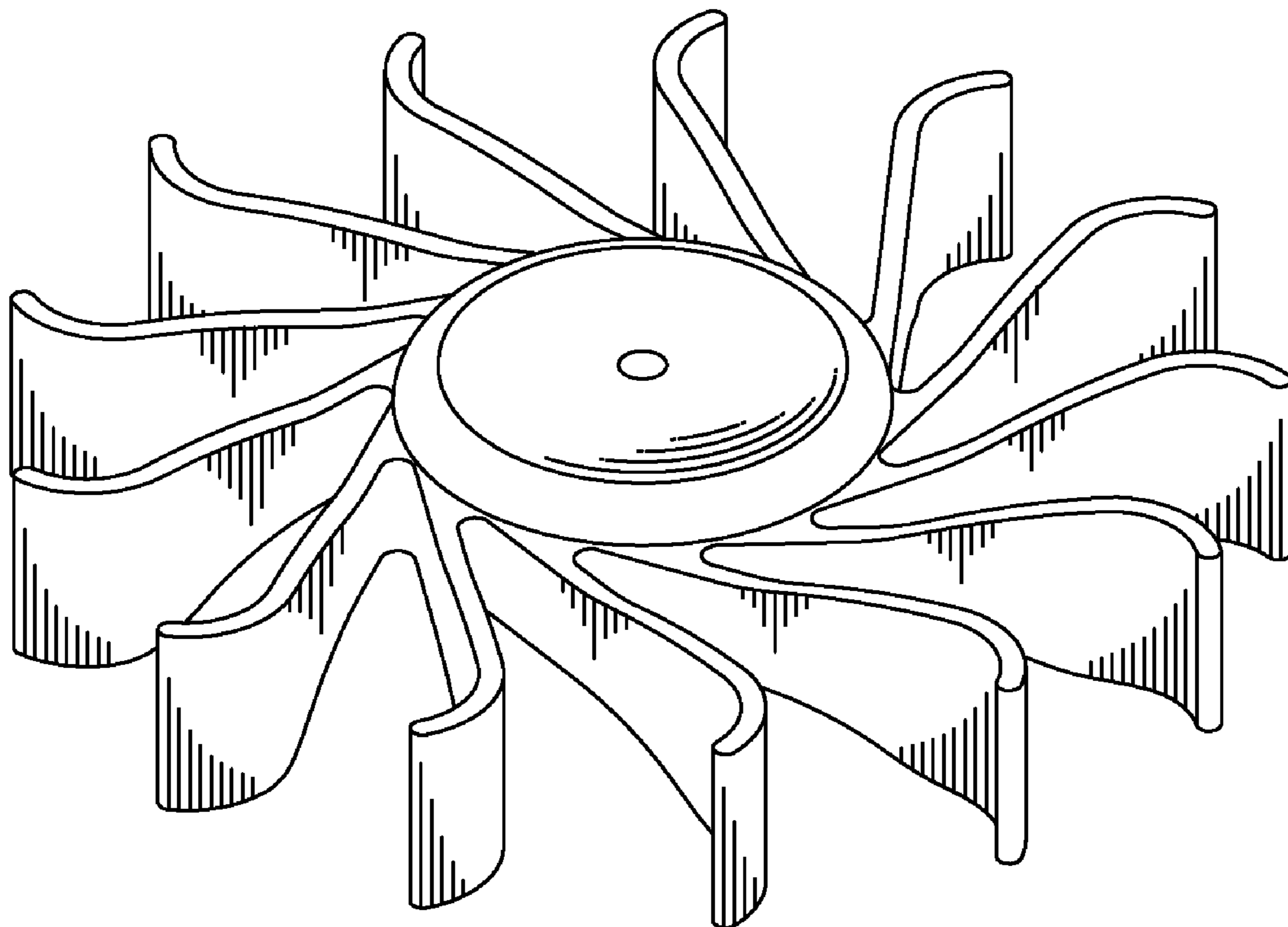
FIG. 6 is a top plan view thereof; and,

FIG. 7 is a bottom plan view thereof.

U.S. PATENT DOCUMENTS

2,201,947 A * 5/1940 Valentine 366/342

1 Claim, 7 Drawing Sheets



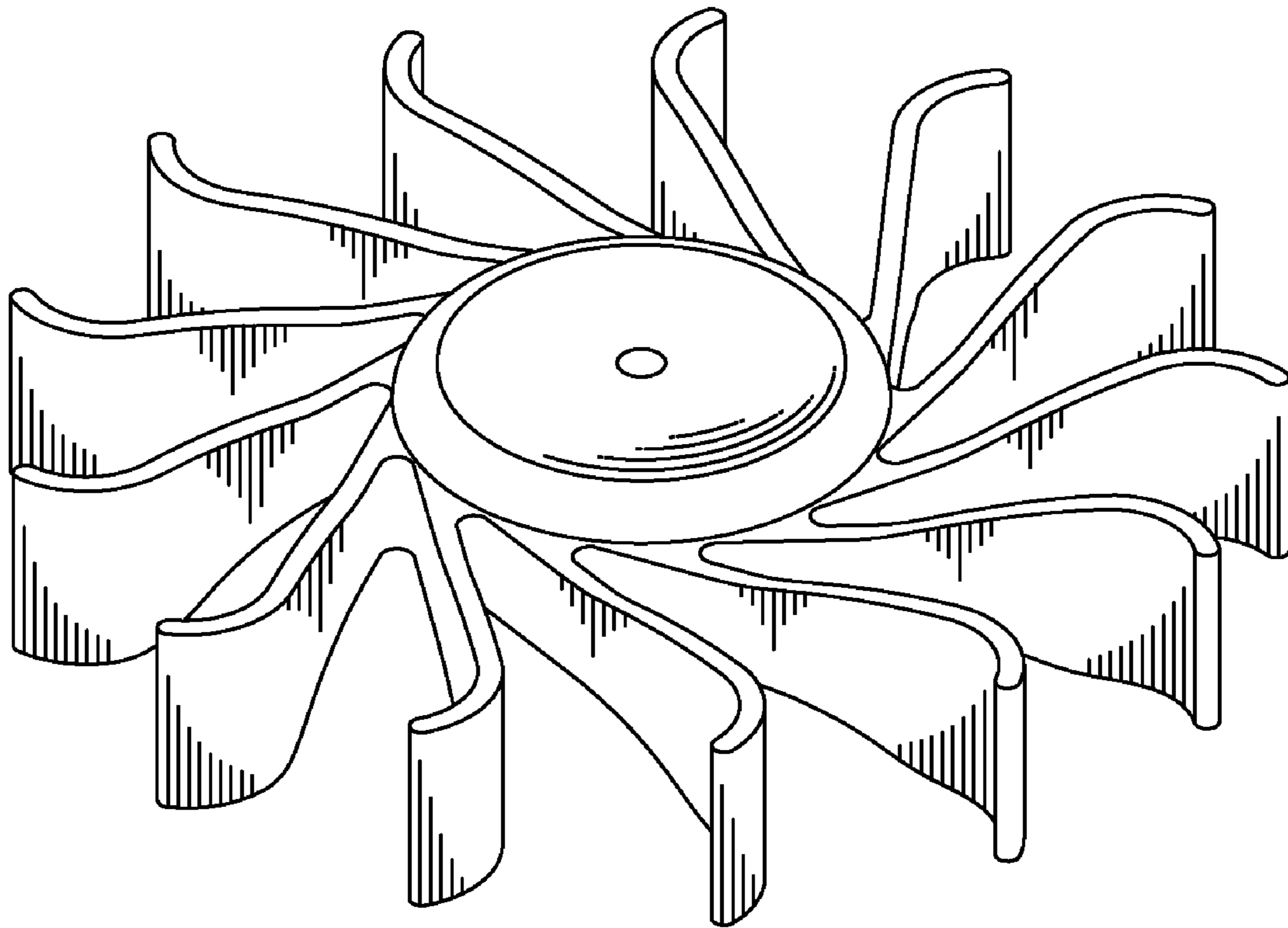


FIG. 1

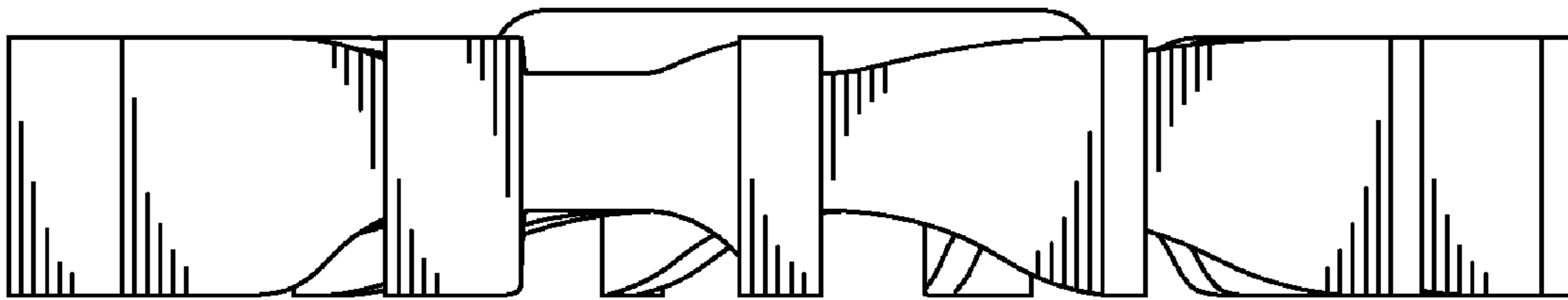


FIG. 2

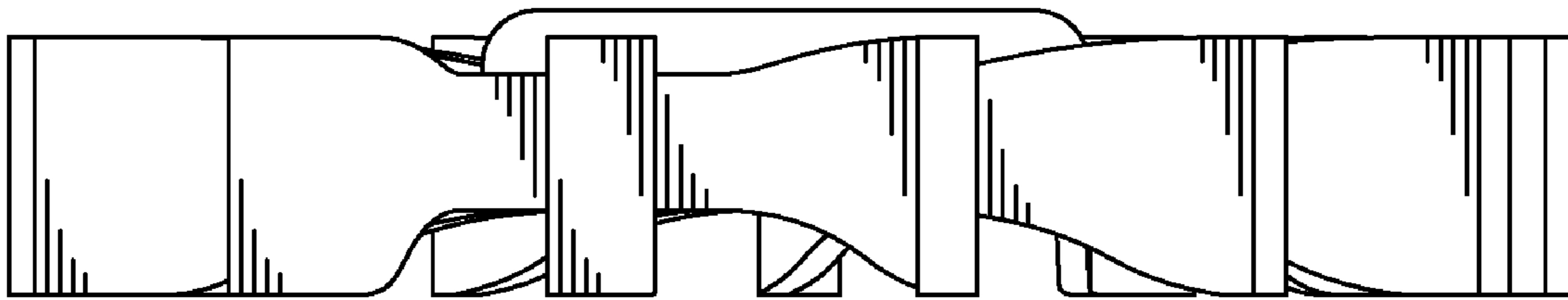


FIG. 3

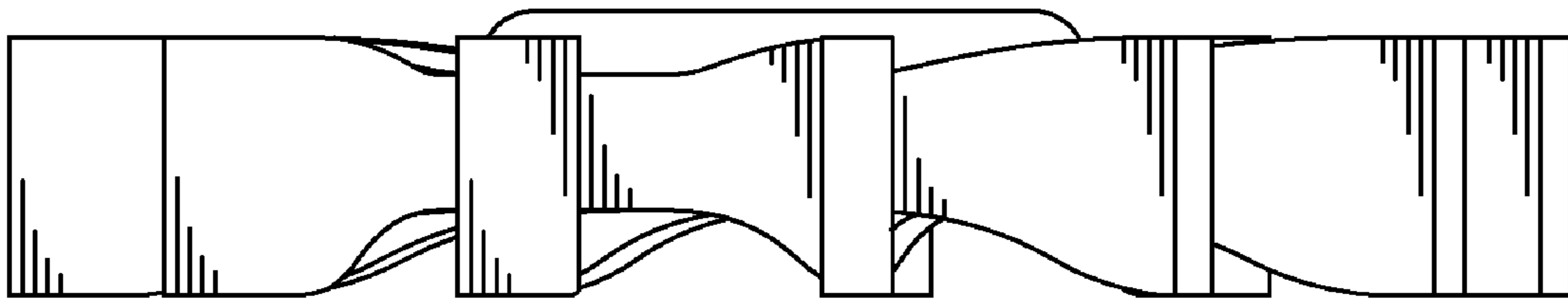


FIG. 4

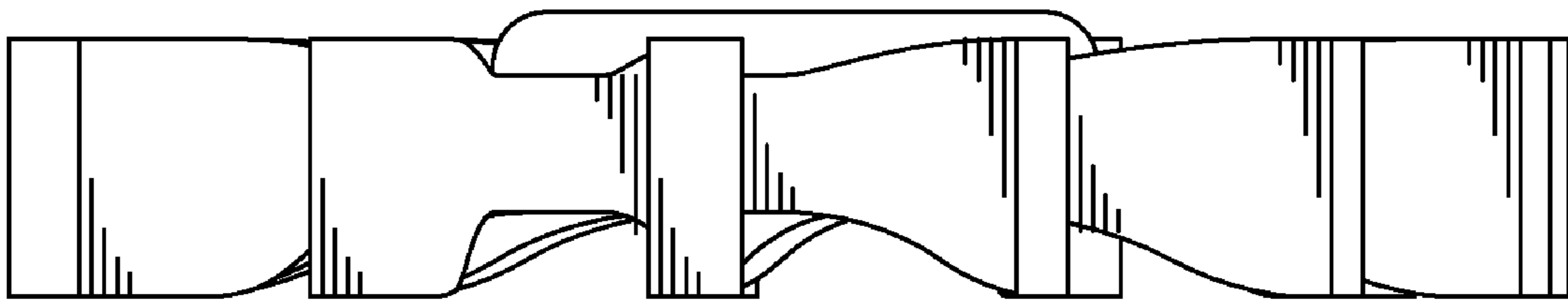


FIG. 5

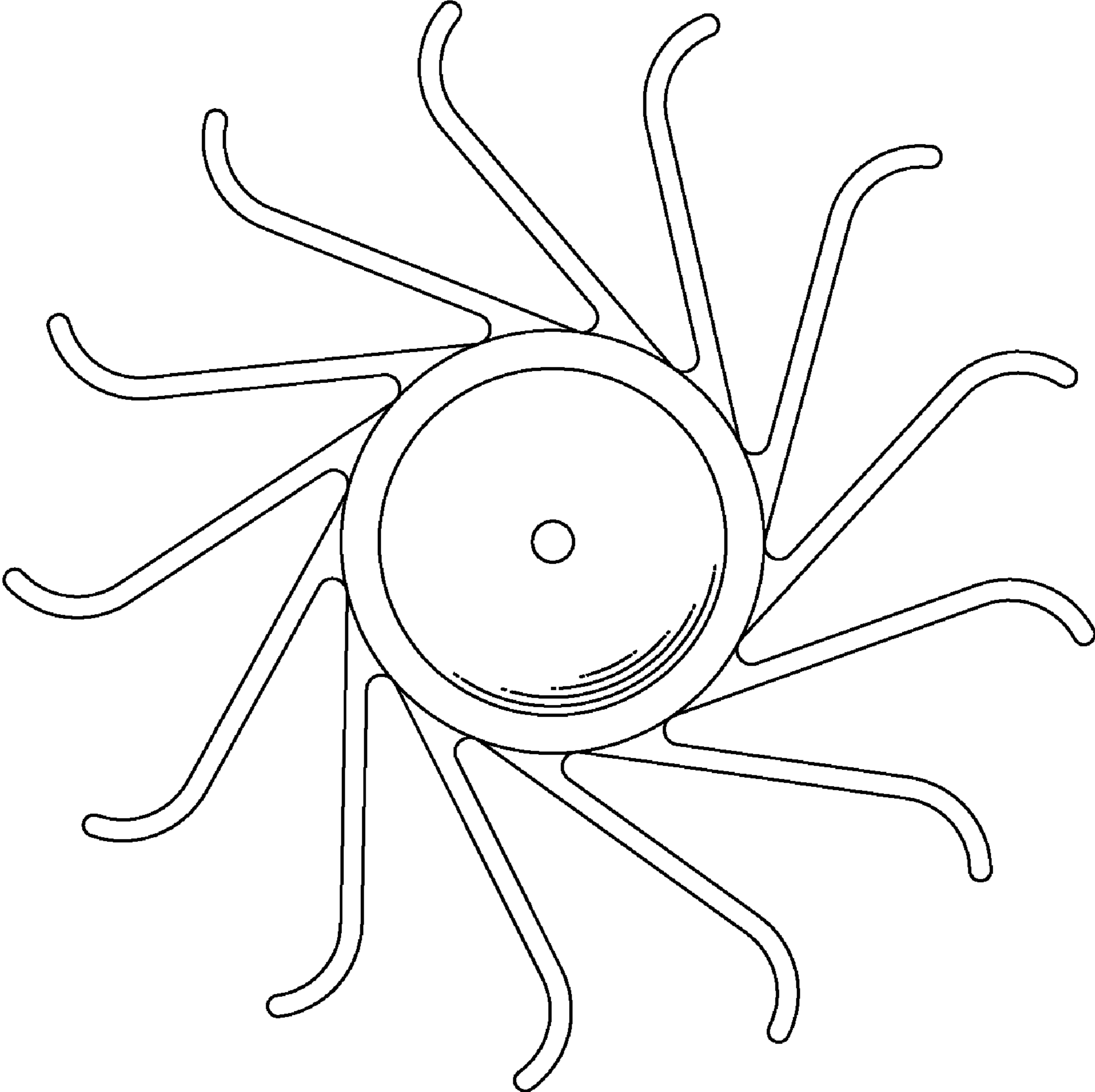


FIG. 6

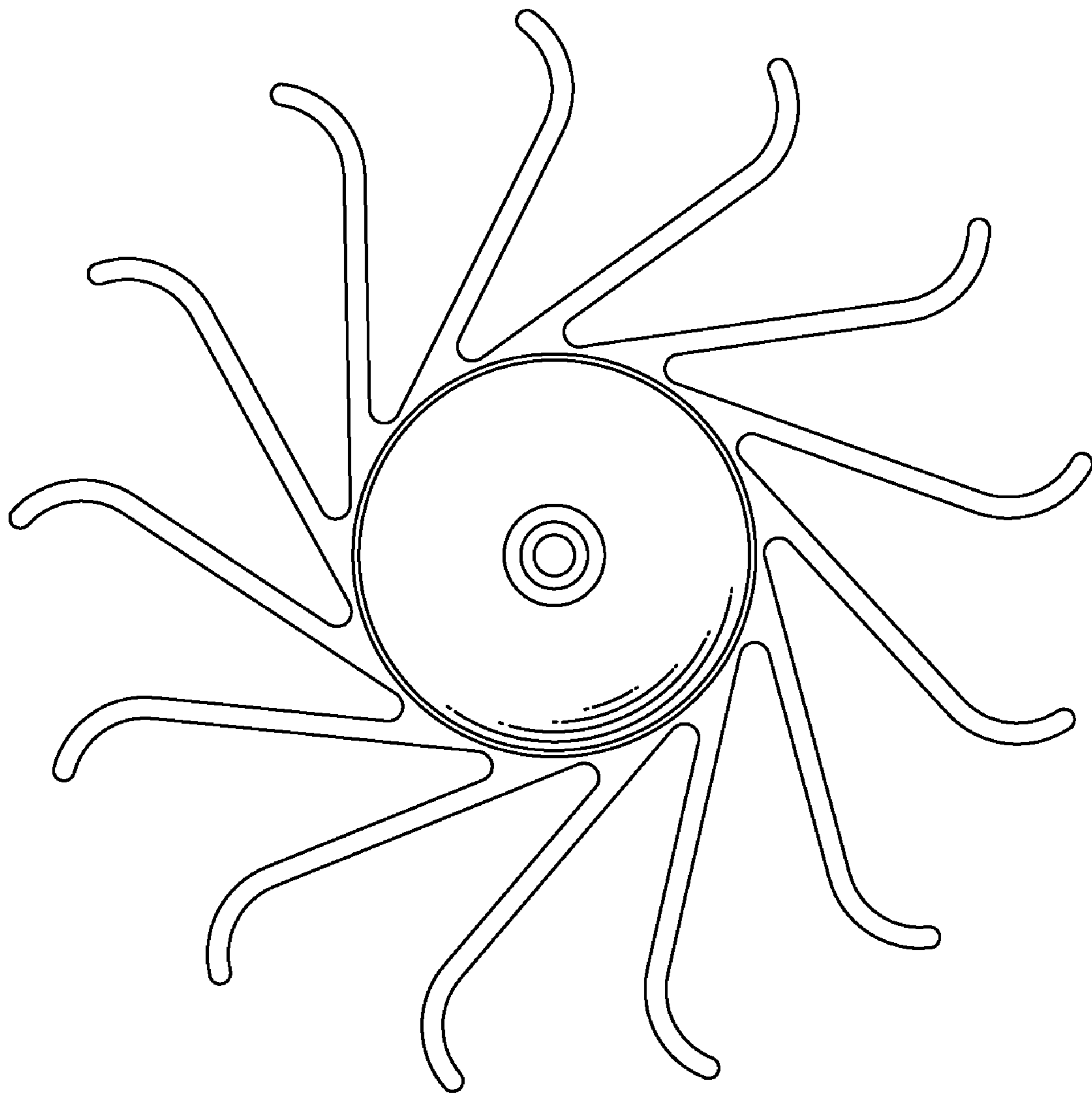


FIG. 7