



US00D563542S

(12) **United States Design Patent**  
**Wettergren**

(10) **Patent No.:** **US D563,542 S**

(45) **Date of Patent:** **\*\* Mar. 4, 2008**

(54) **VENT INTAKE**

(75) Inventor: **Ola Wettergren**, Sarasota, FL (US)

(73) Assignee: **Fantech Inc.**, Sarasota, FL (US)

(\*\*) Term: **14 Years**

(21) Appl. No.: **29/258,439**

(22) Filed: **Apr. 21, 2006**

(30) **Foreign Application Priority Data**

Dec. 8, 2005 (CA) ..... 113858

(51) **LOC (8) Cl.** ..... **23-04**

(52) **U.S. Cl.** ..... **D23/388; D23/390**

(58) **Field of Classification Search** ..... D23/393,  
D23/387, 388, 385, 382, 390, 328; 454/292,  
454/293, 294, 300, 245, 248, 284, 310, 312;  
D26/59

See application file for complete search history.

(56) **References Cited**

**U.S. PATENT DOCUMENTS**

2,131,054	A *	9/1938	Kurth	.....	D23/328
2,189,008	A *	2/1940	Kurth	.....	362/294
D120,266	S *	4/1940	Kurth et al.	.....	D26/59
2,209,887	A *	7/1940	Kurth	.....	D23/328
2,210,589	A *	8/1940	Kurth	.....	454/294
2,255,849	A *	9/1941	Kurth	.....	454/294
2,282,587	A *	5/1942	Kurth	.....	454/293

2,689,906	A *	9/1954	Corbett	.....	454/293
2,781,715	A *	2/1957	Labus	.....	454/292
D192,312	S *	2/1962	Hart	.....	D23/328
3,677,165	A *	7/1972	Gibbs et al.	.....	454/293
D288,007	S *	1/1987	Jonas et al.	.....	D26/59
D441,856	S *	5/2001	Wettergren	.....	D23/328

\* cited by examiner

*Primary Examiner*—Ian Simmons

*Assistant Examiner*—David G Muller

(74) *Attorney, Agent, or Firm*—Brooks Kushman P.C.

(57) **CLAIM**

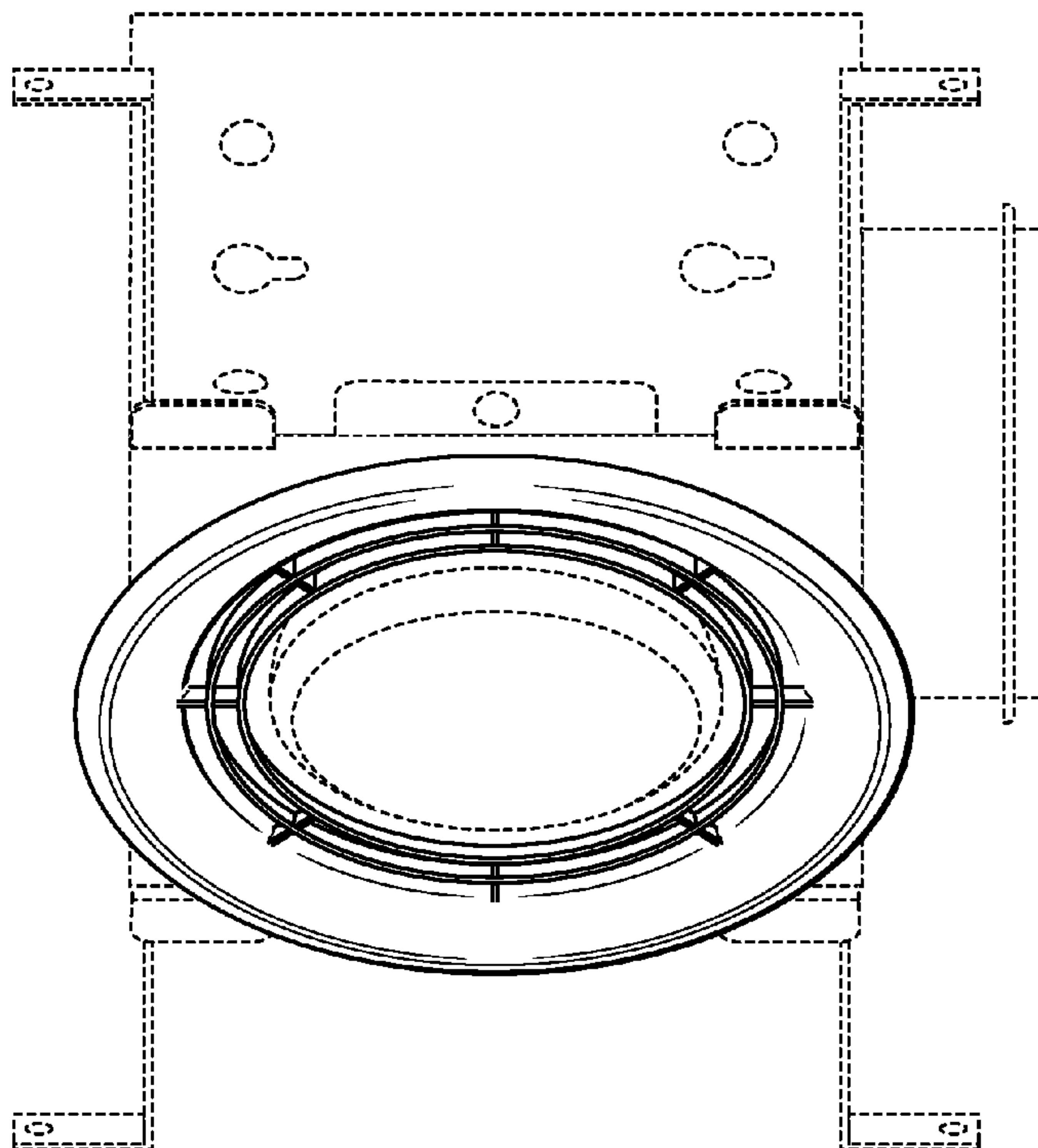
The ornamental design for a vent intake, as shown and described.

**DESCRIPTION**

FIG. 1 is a front side elevation view of my design, FIG. 2 is a rear side elevation view of FIG. 1, FIG. 3 is a bottom plan view of FIG. 1, FIG. 4 is a perspective view of FIG. 1; FIG. 5 is an exploded perspective view of FIG. 1; and, FIG. 6 is a cross-sectional view thereof taken along the line 6—6 of FIG. 3 with some of the features in broken outline not shown.

The features shown in broken outline are not part of the claimed design.

**1 Claim, 5 Drawing Sheets**



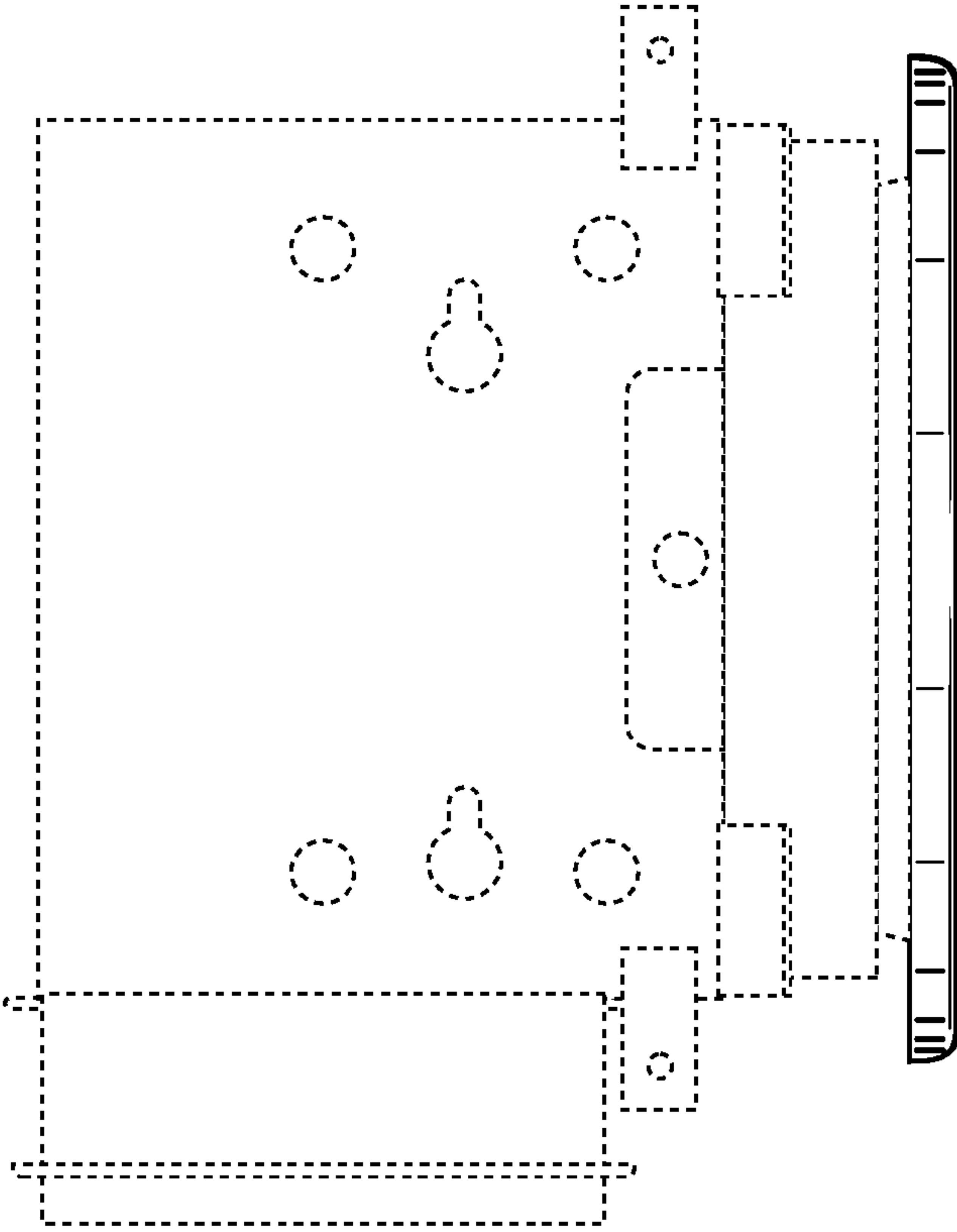


FIG. 2

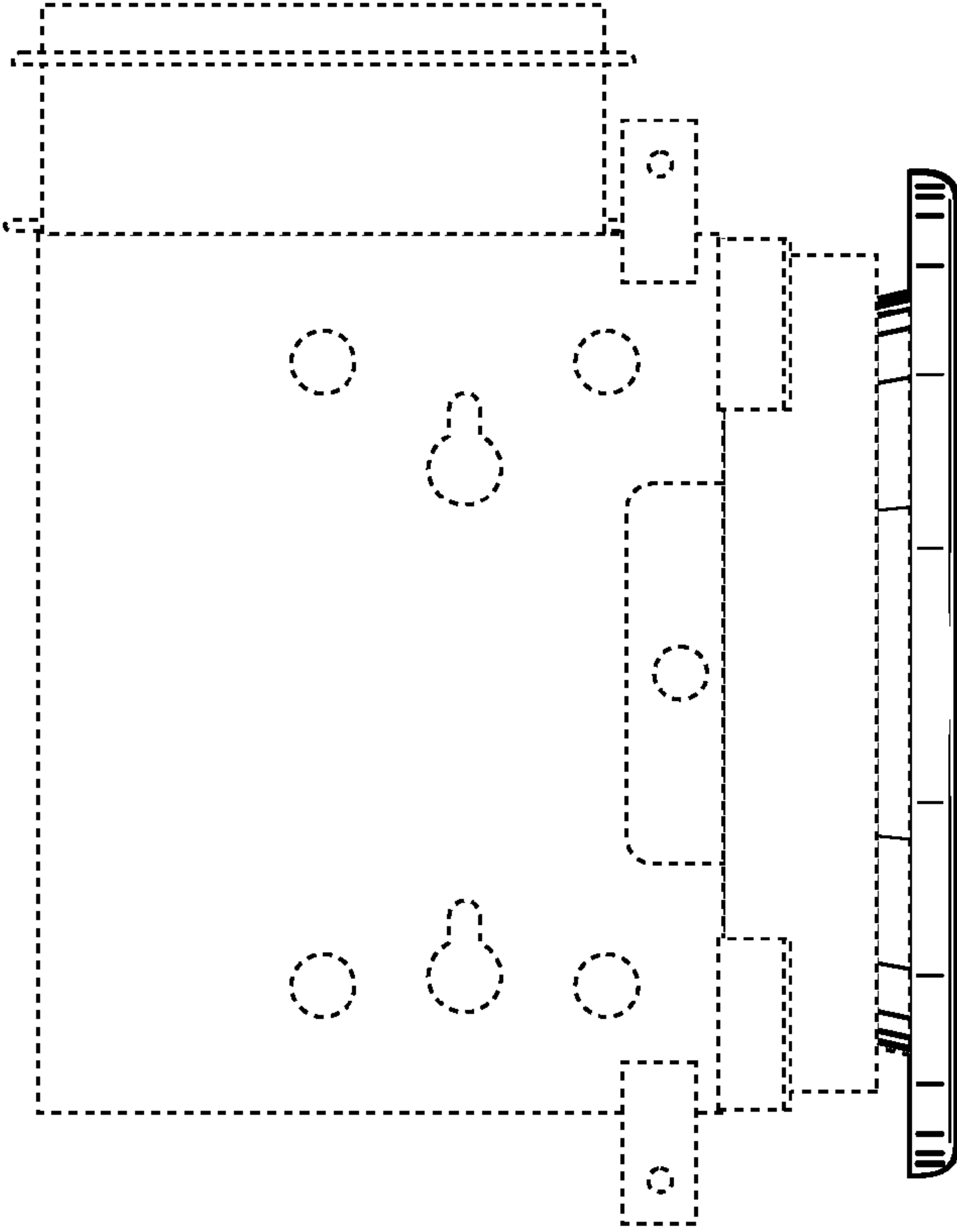


FIG. 1

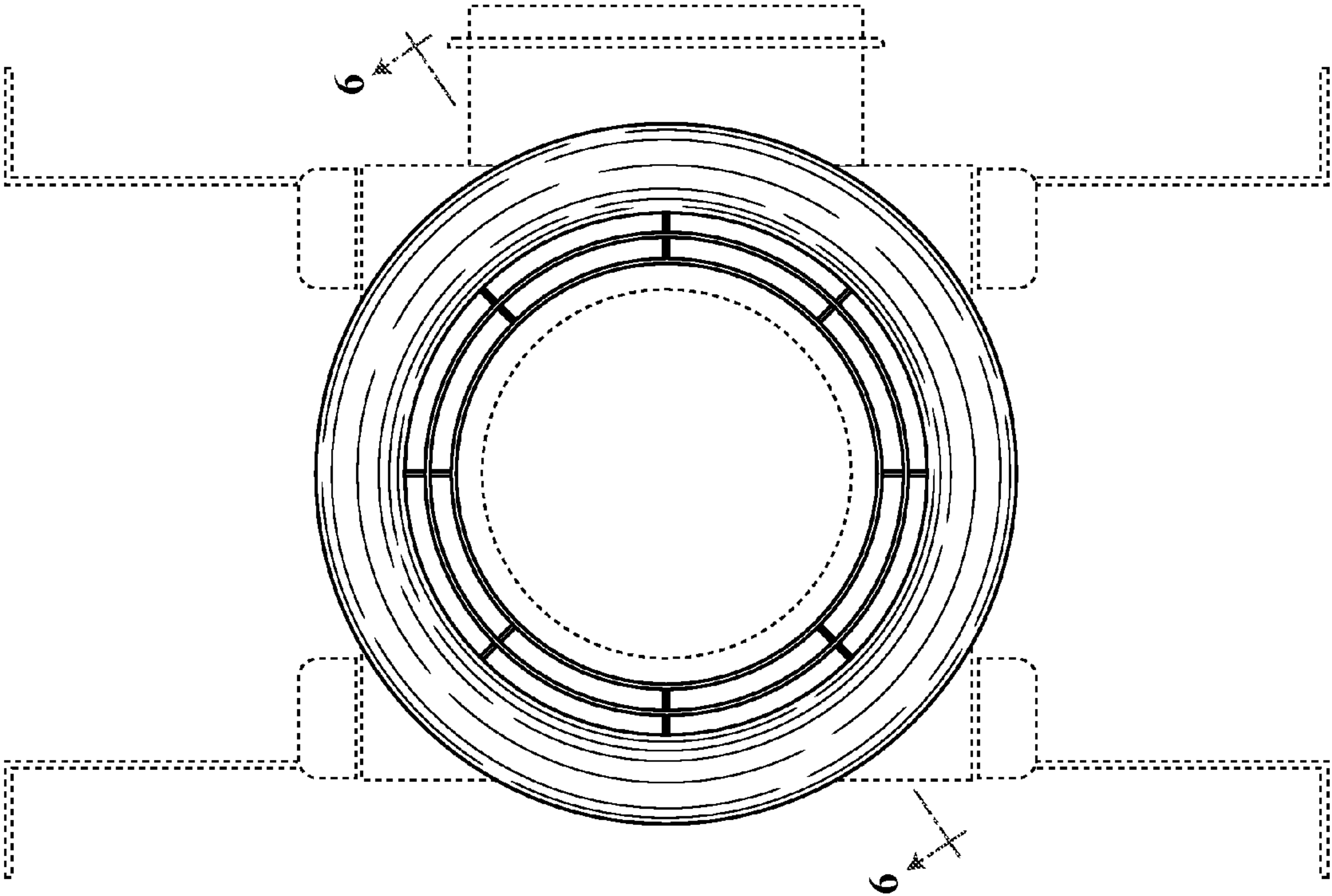
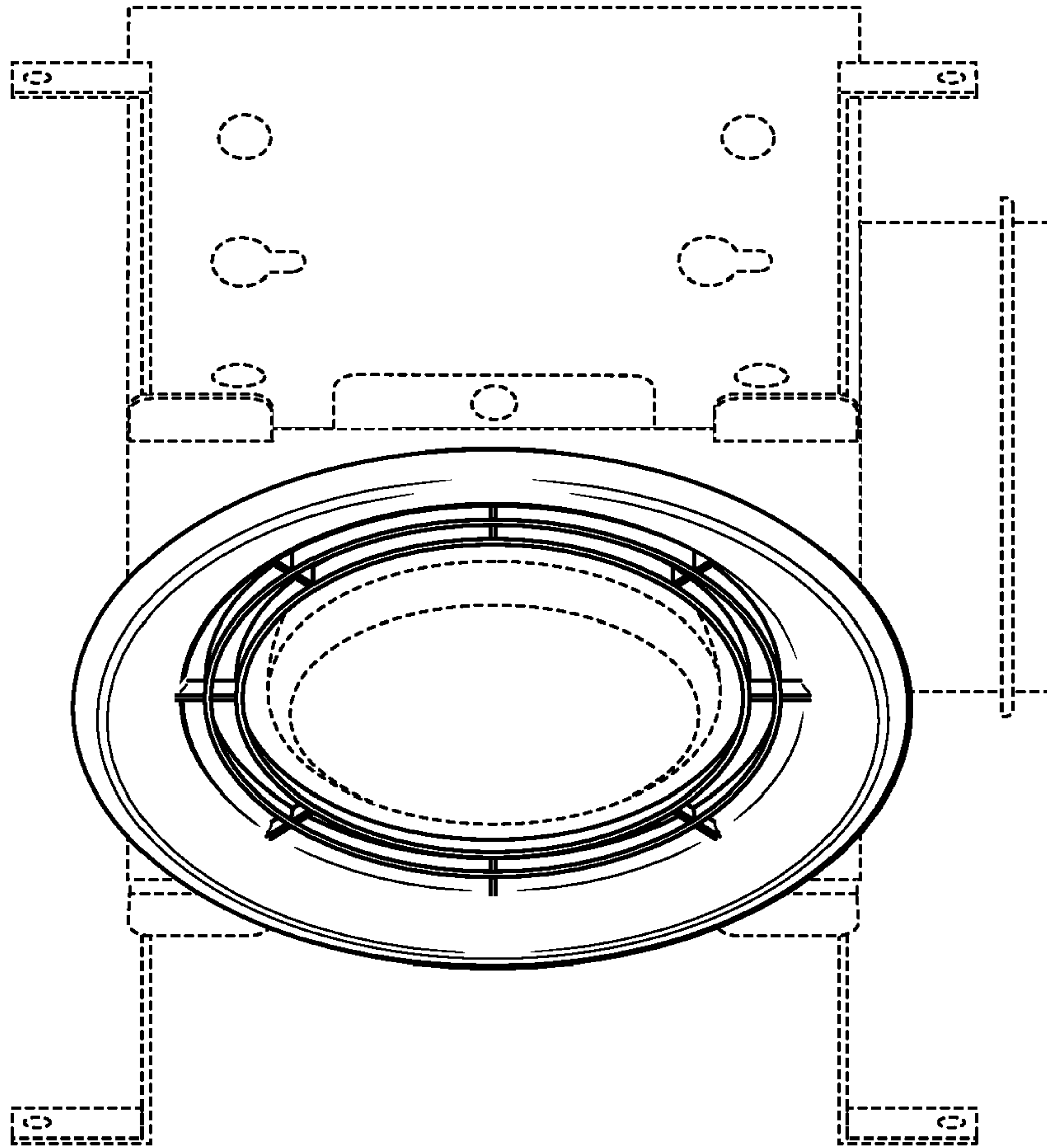
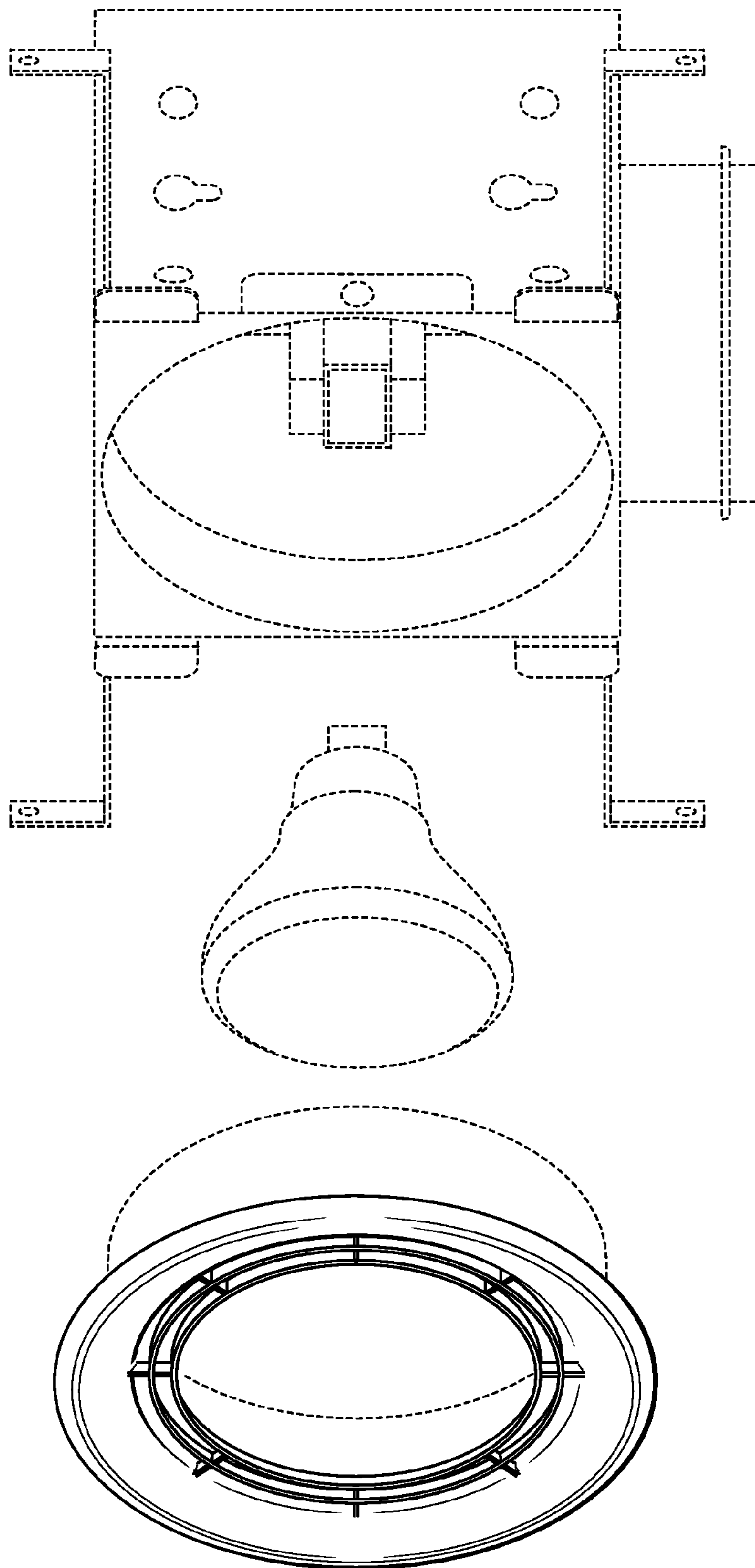


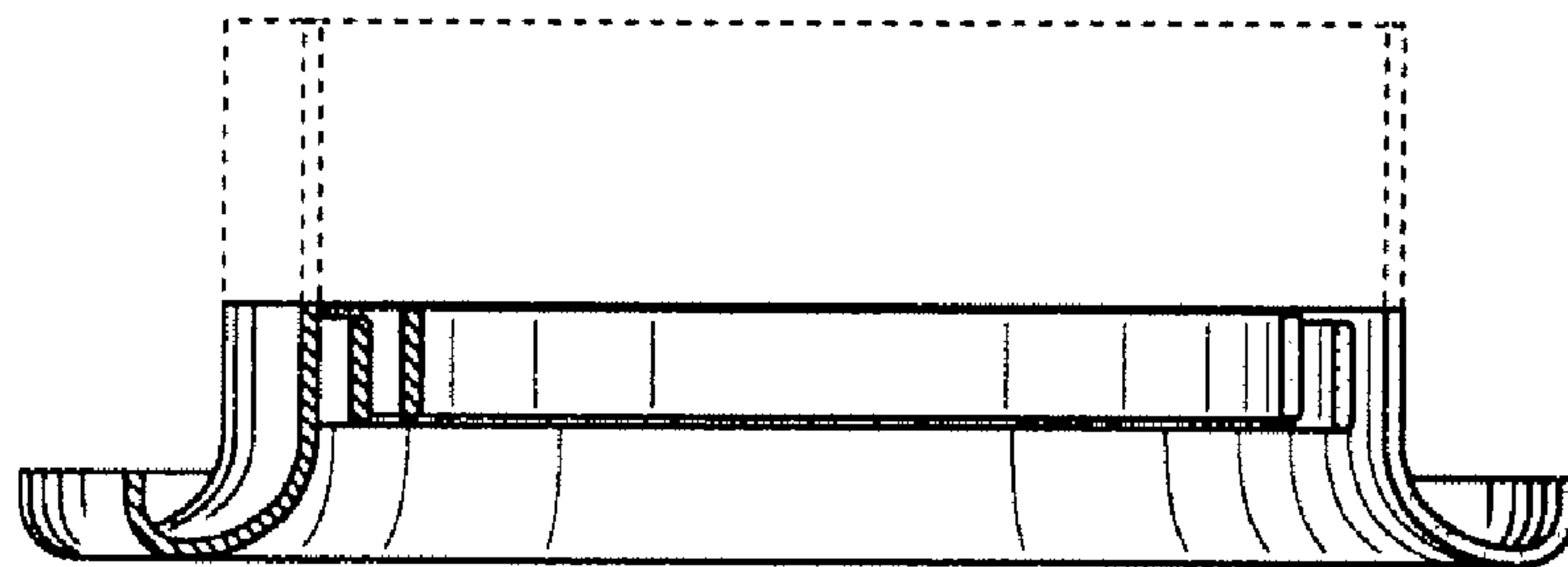
FIG. 3



**FIG. 4**



**FIG. 5**



**FIG. 6**