

US00D563541S

(12) **United States Design Patent**
Bucher et al.

(10) **Patent No.:** **US D563,541 S**
(45) **Date of Patent:** **** Mar. 4, 2008**

(54) **COMBINED CEILING FAN AND LIGHT DOME**

(75) Inventors: **John C. Bucher**, Ft. Lauderdale, FL (US); **Scott Searle**, Wan Chai (HK)

(73) Assignee: **King of Fans, Inc.**, Ft. Lauderdale, FL (US)

(**) Term: **14 Years**

(21) Appl. No.: **29/263,777**

(22) Filed: **Jul. 28, 2006**

Related U.S. Application Data

(62) Division of application No. 29/210,632, filed on Aug. 4, 2004.

(51) **LOC (8) Cl.** **23-04**

(52) **U.S. Cl.** **D23/377; D26/59**

(58) **Field of Classification Search** D23/411, D23/377, 379, 385, 413; 416/5; D26/59, D26/71, 81-88; 362/96

See application file for complete search history.

(56) **References Cited**

U.S. PATENT DOCUMENTS

D364,224 S	11/1995	Wang	D23/377
D371,838 S	7/1996	Davis, Jr. et al.	D23/411
D378,404 S	3/1997	Jaspers-Fayer	D23/377
D402,026 S	12/1998	Chuang et al.	D23/377
D408,518 S	4/1999	Liu	D23/377
D412,571 S	8/1999	Lee	D23/377
D414,856 S	10/1999	Zuege	D23/377
D421,799 S	3/2000	Zuege	D23/411

D422,072 S	3/2000	Blateri	D23/377
D443,352 S	6/2001	Lantz	D23/413
D451,997 S	12/2001	Swartz	D23/413
D454,636 S	3/2002	Lantz	D23/413
D469,950 S	2/2003	Scalise et al.	D3/3
D473,639 S *	4/2003	Gajewski	D23/411
D476,410 S *	6/2003	Young	D23/411
D478,980 S *	8/2003	Hidalgo	D23/411
D480,471 S	10/2003	Hsieh	D23/411
D484,233 S	12/2003	Bucher et al.	D23/377
D485,345 S	1/2004	Bucher	D23/377
D485,347 S	1/2004	Bucher et al.	D23/377
D537,932 S *	3/2007	Young	D23/377

* cited by examiner

Primary Examiner—Lisa Lichtenstein

(74) *Attorney, Agent, or Firm*—Brian S. Steinberger; Law Offices of Brian S. Steinberger, P.A.

(57) **CLAIM**

The ornamental design for a combined ceiling fan and light dome, as shown and described.

DESCRIPTION

FIG. 1 is a bottom perspective view of the combined ceiling fan and light dome;

FIG. 2 is a top perspective view thereof;

FIG. 3 is a bottom planar view of FIG. 1.

FIG. 4 is a top planar view of FIG. 2.

FIG. 5 is a perspective side view of FIGS. 1 and 2; and,

FIG. 6 is another perspective side view of FIGS. 1 and 2 that is perpendicular to the side view shown in FIG. 5.

1 Claim, 6 Drawing Sheets

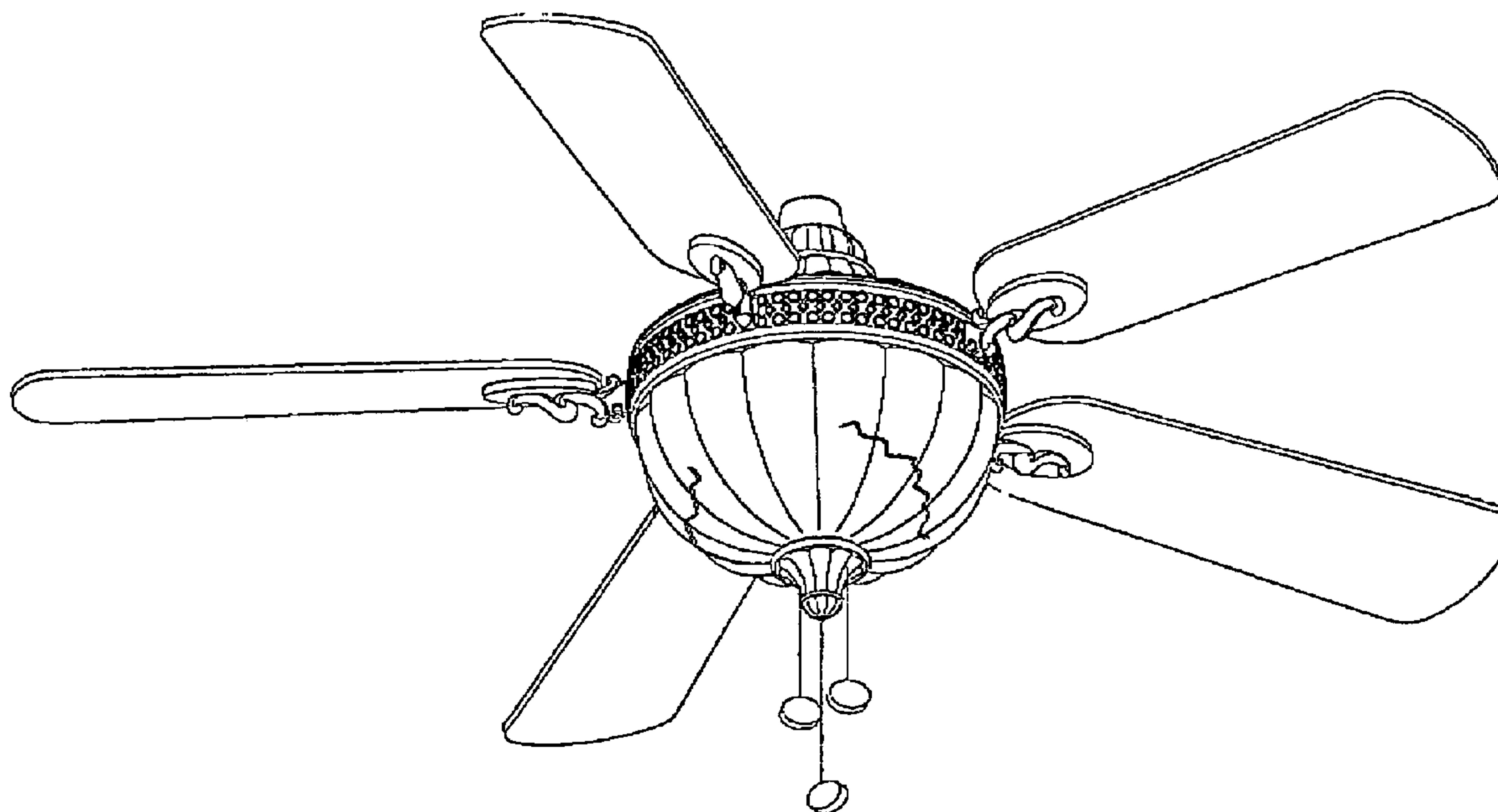


FIG. 1

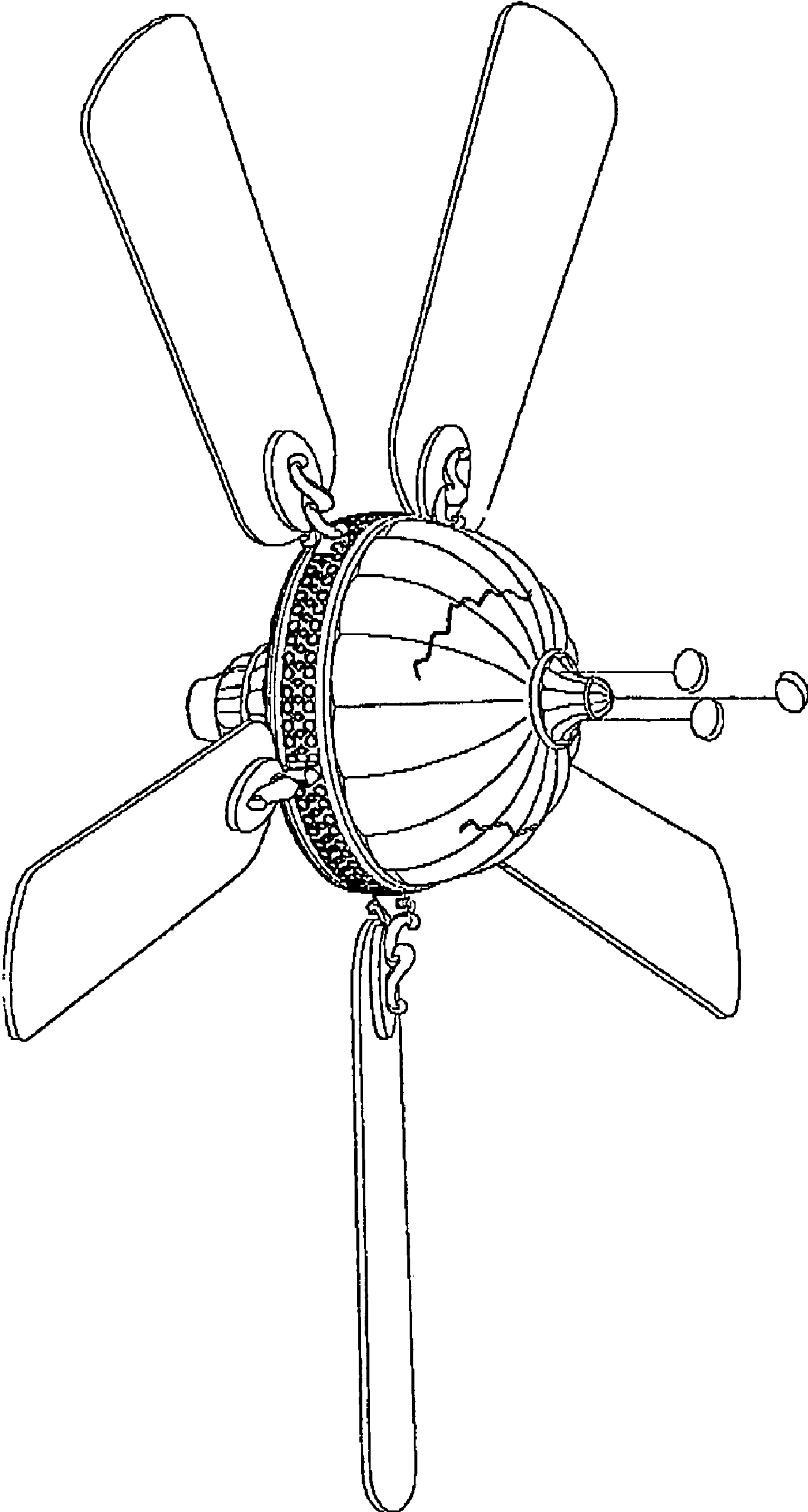


FIG. 2

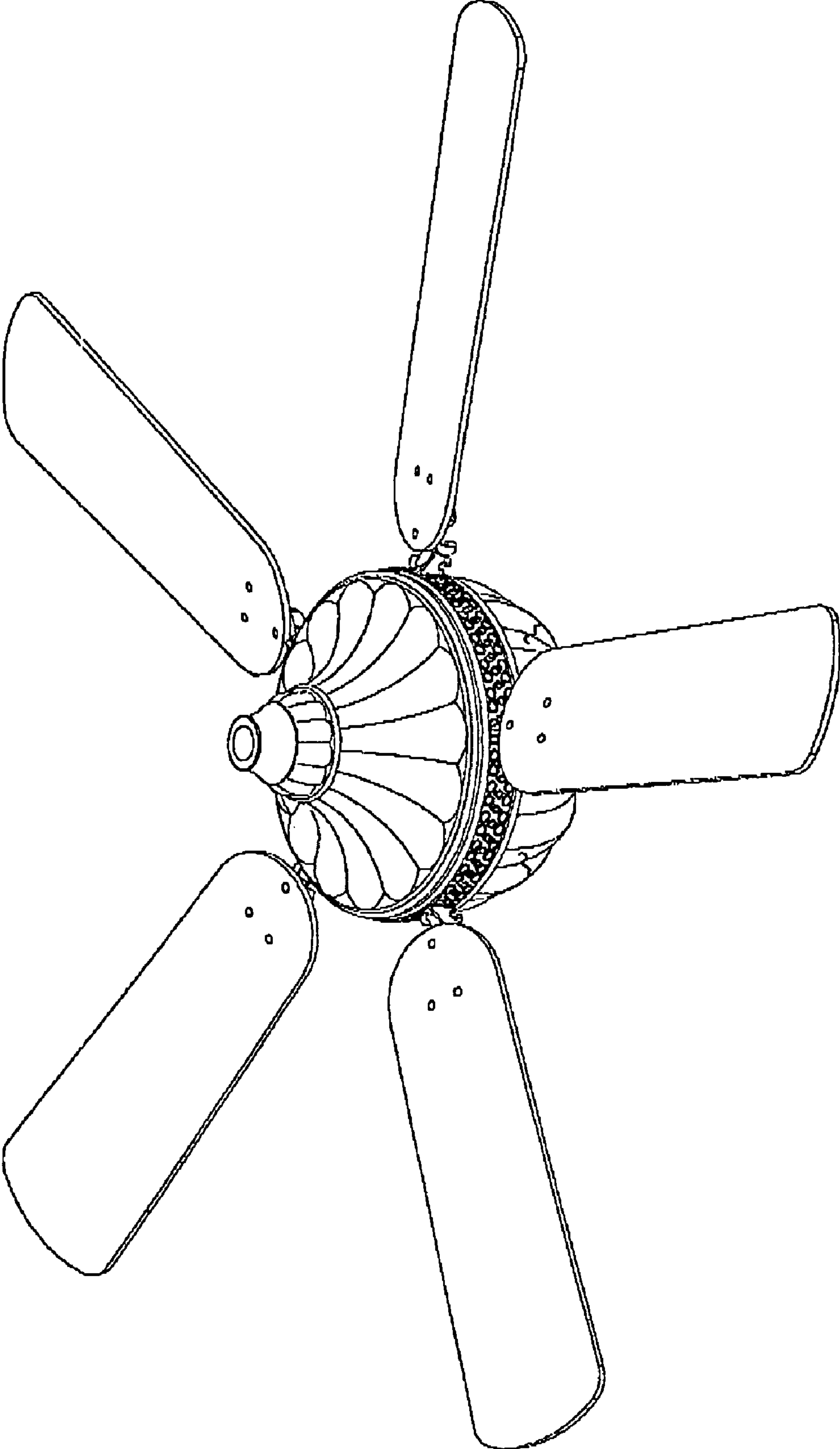


FIG. 3

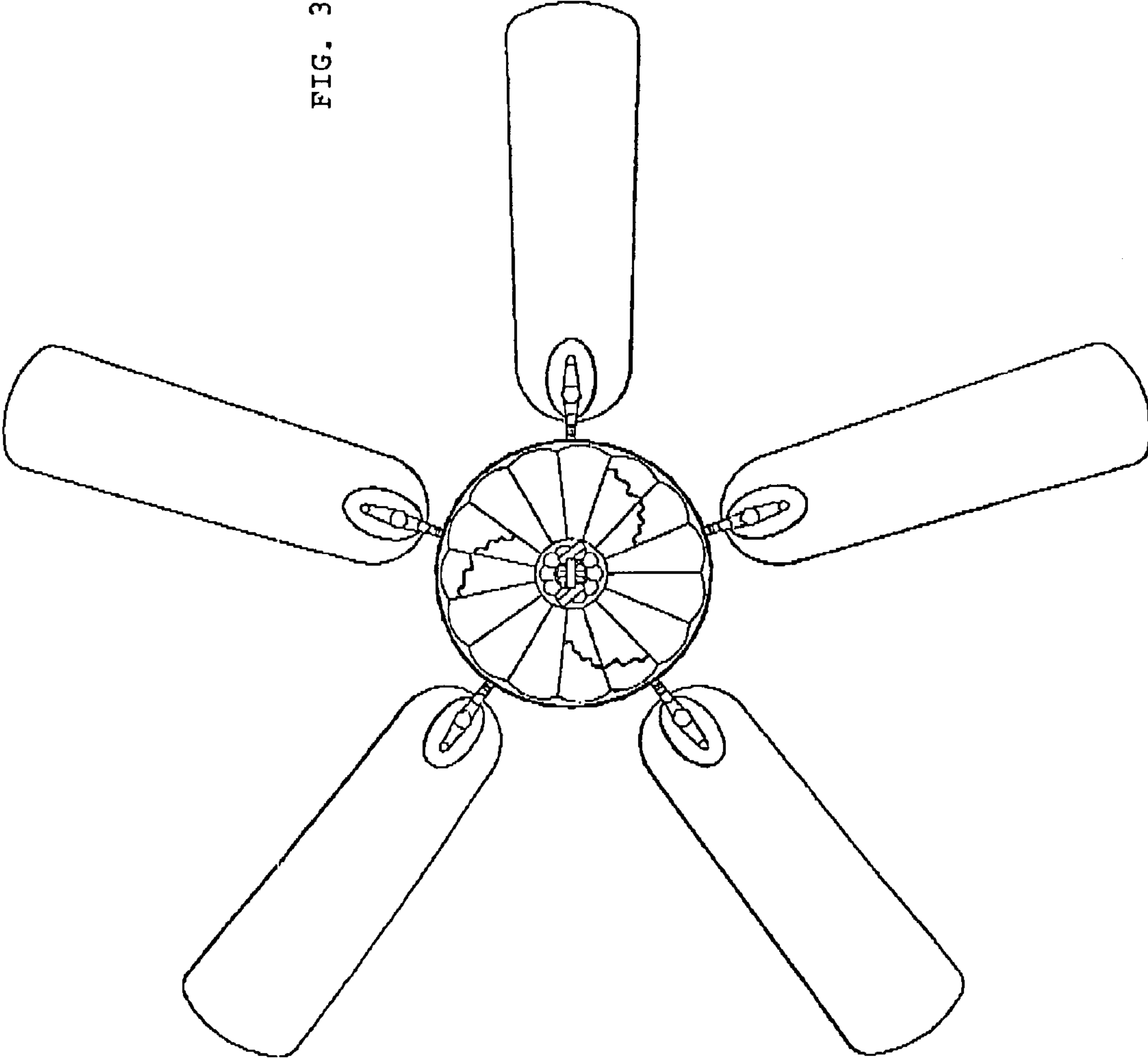


FIG. 4

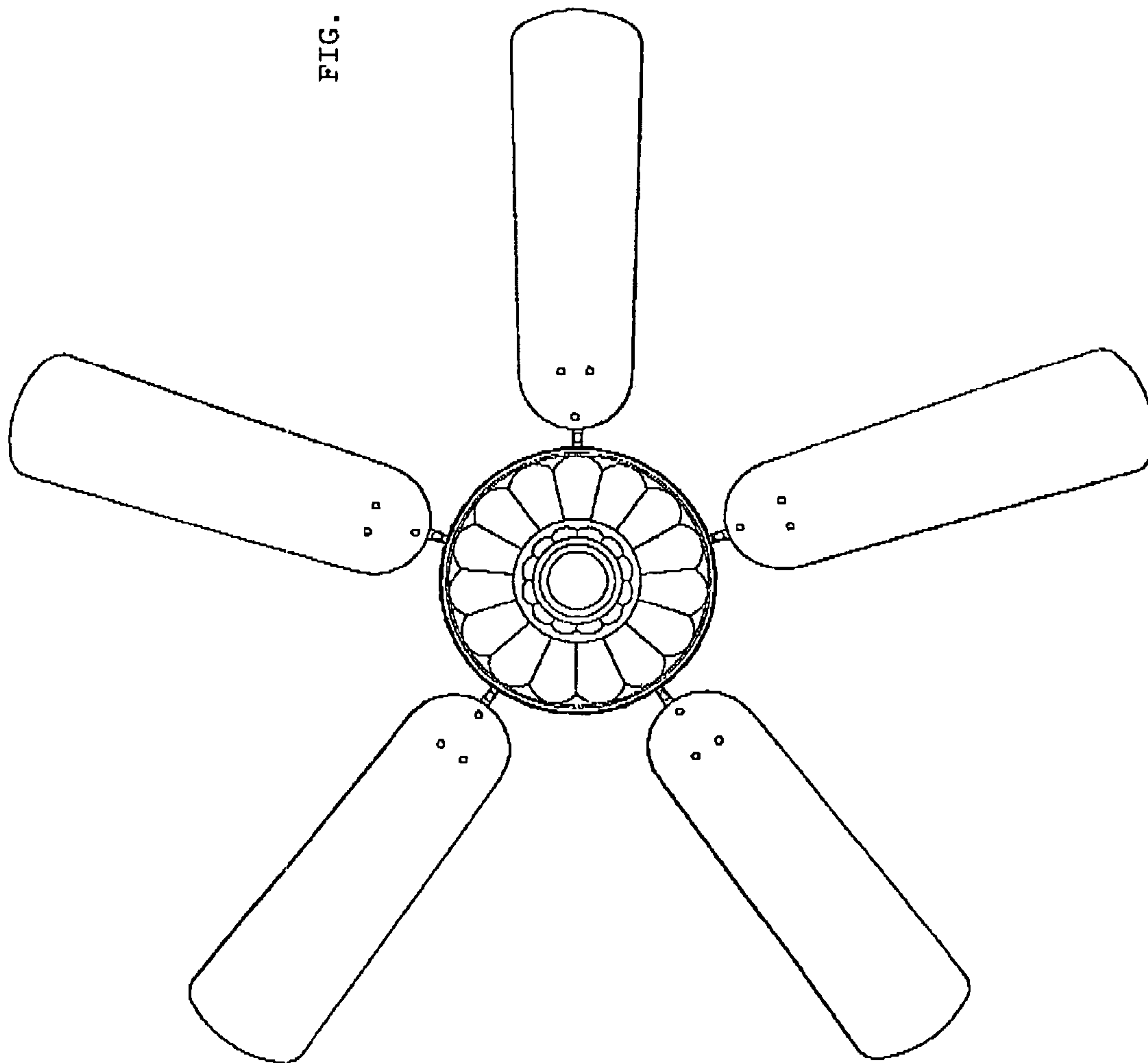


FIG. 5

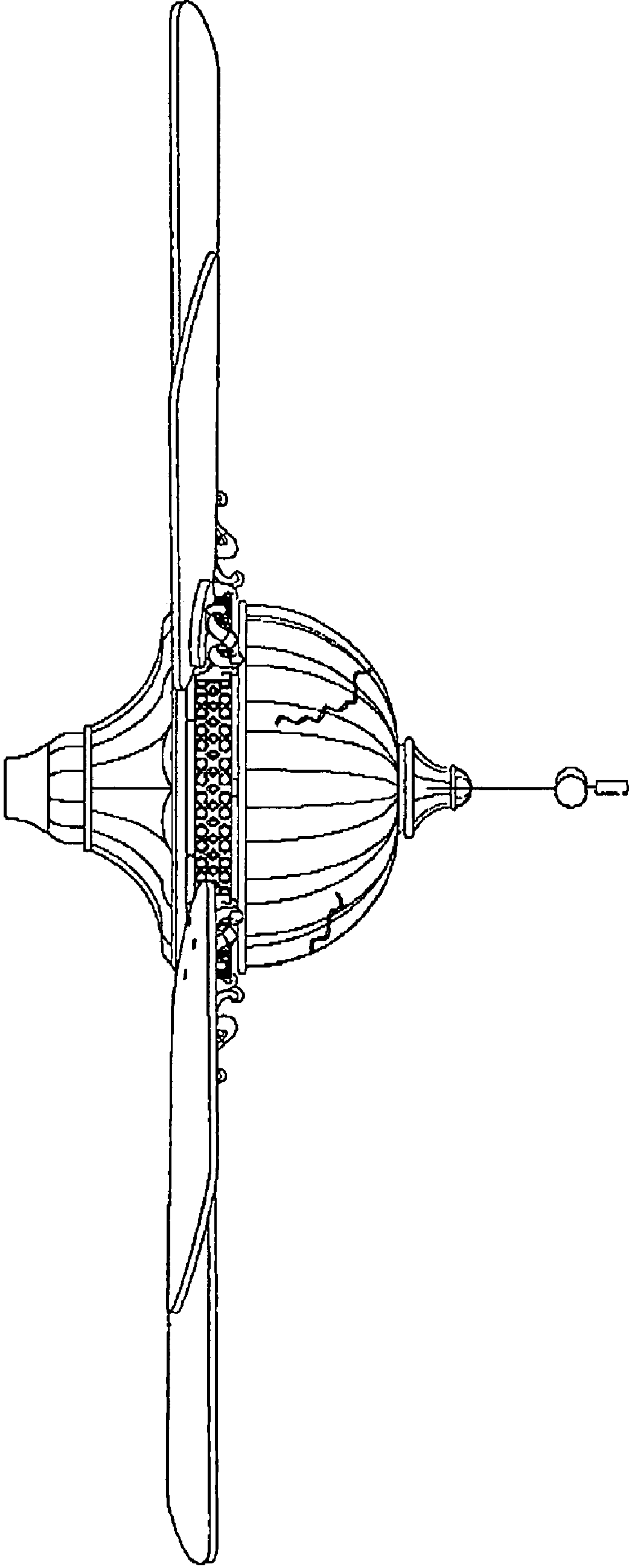


FIG. 6

