

US00D563539S

(12) **United States Design Patent**
Sinur et al.

(10) **Patent No.:** **US D563,539 S**
(45) **Date of Patent:** **** Mar. 4, 2008**

(54) **KITCHEN HOOD**

(75) Inventors: **Richard R. Sinur**, Grafton, WI (US);
Brian R. Wellnitz, Grafton, WI (US);
Gregg M. Davis, Powell, OH (US);
Jeffrey T. DeBord, Worthington, OH
(US); **Paul E. Hsu**, Powell, OH (US);
Diana W. Juratovac, Columbus, OH
(US); **Jay F. Perkins**, Pickerington, OH
(US)

(73) Assignee: **Broan-NuTone LLC**, Hartford, WI
(US)

(**) Term: **14 Years**

(21) Appl. No.: **29/229,603**

(22) Filed: **May 9, 2005**

(51) **LOC (8) Cl.** **23-04**

(52) **U.S. Cl.** **D23/372**

(58) **Field of Classification Search** D23/372,
D23/371; 126/299 R, 299 D
See application file for complete search history.

(56) **References Cited**

U.S. PATENT DOCUMENTS

D237,971 S	*	12/1975	Chiang	D23/372
D332,305 S	*	1/1993	Karlsson	D23/371
D351,967 S	*	11/1994	Brandon	D23/372
D443,351 S	*	6/2001	Strand et al.	D23/372
D450,829 S		11/2001	Bothe et al.		
D473,297 S		4/2003	Bothe et al.		
D482,769 S		11/2003	Bothe et al.		

* cited by examiner

Primary Examiner—Lisa P Lichtenstein

(74) *Attorney, Agent, or Firm*—Michael Best & Friedrich LLP

(57) **CLAIM**

The ornamental design for a kitchen hood, as shown and described.

DESCRIPTION

FIG. 1 is a perspective view of a kitchen hood constructed in accordance with an embodiment of the present invention;

FIG. 2 is a left side view of the kitchen hood shown in FIG. 1;

FIG. 3 is a front plan view of the kitchen hood shown in FIGS. 1 and 2;

FIG. 4 is a bottom view of the kitchen hood shown in FIGS. 1–3;

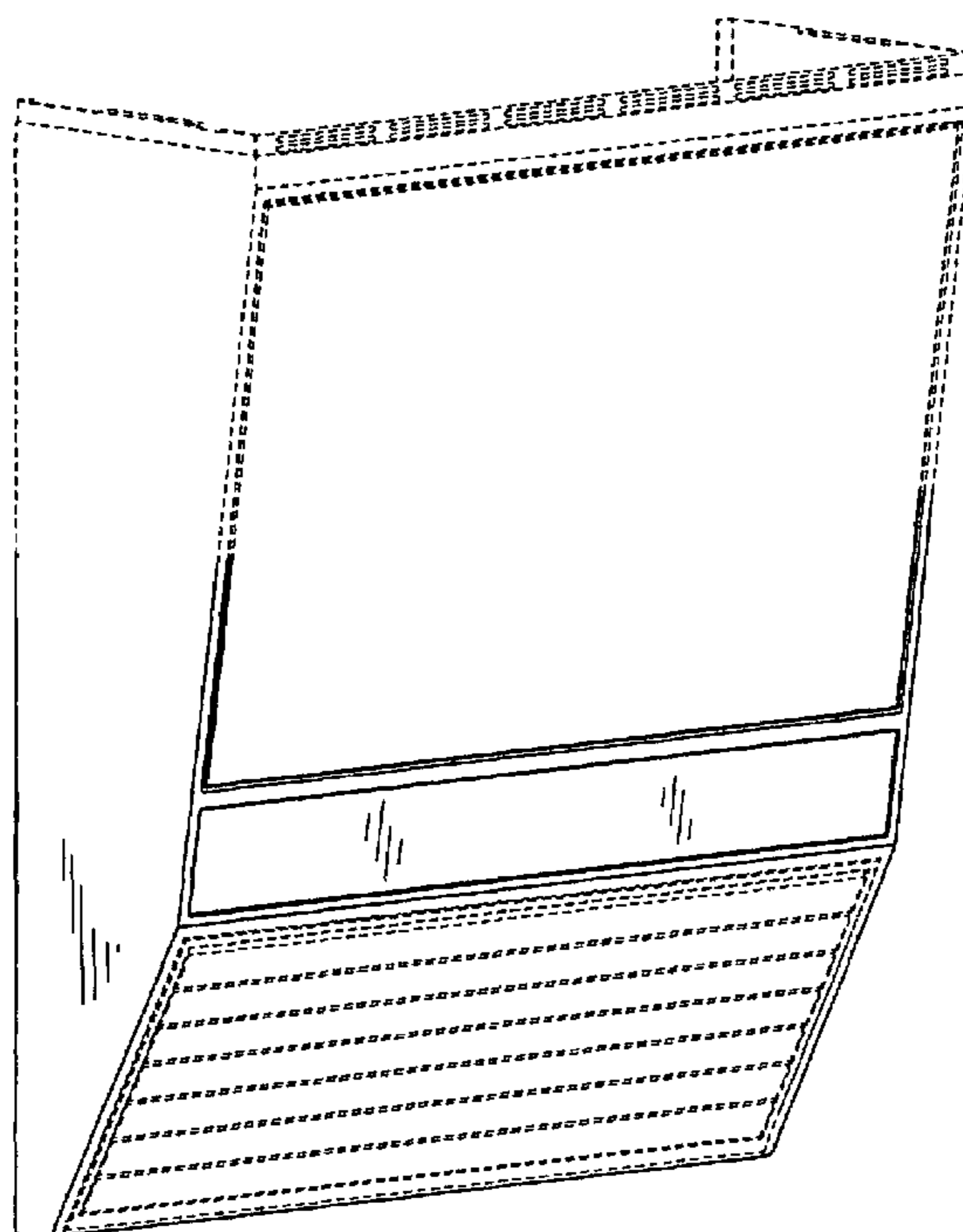
FIG. 5 is a bottom view of the kitchen hood shown in FIGS. 1–4;

FIG. 6 is a right side view of the kitchen hood shown in FIGS. 1–5; and,

FIG. 7 is a perspective view with the lower assembly open of an alternative embodiment of the kitchen hood shown in FIGS. 1–6.

The broken line showing of the top sides, top front, lights, switches, and bottom front of a kitchen hood is included for the purpose of illustrating environmental structure and forms no part of the claimed design.

1 Claim, 5 Drawing Sheets



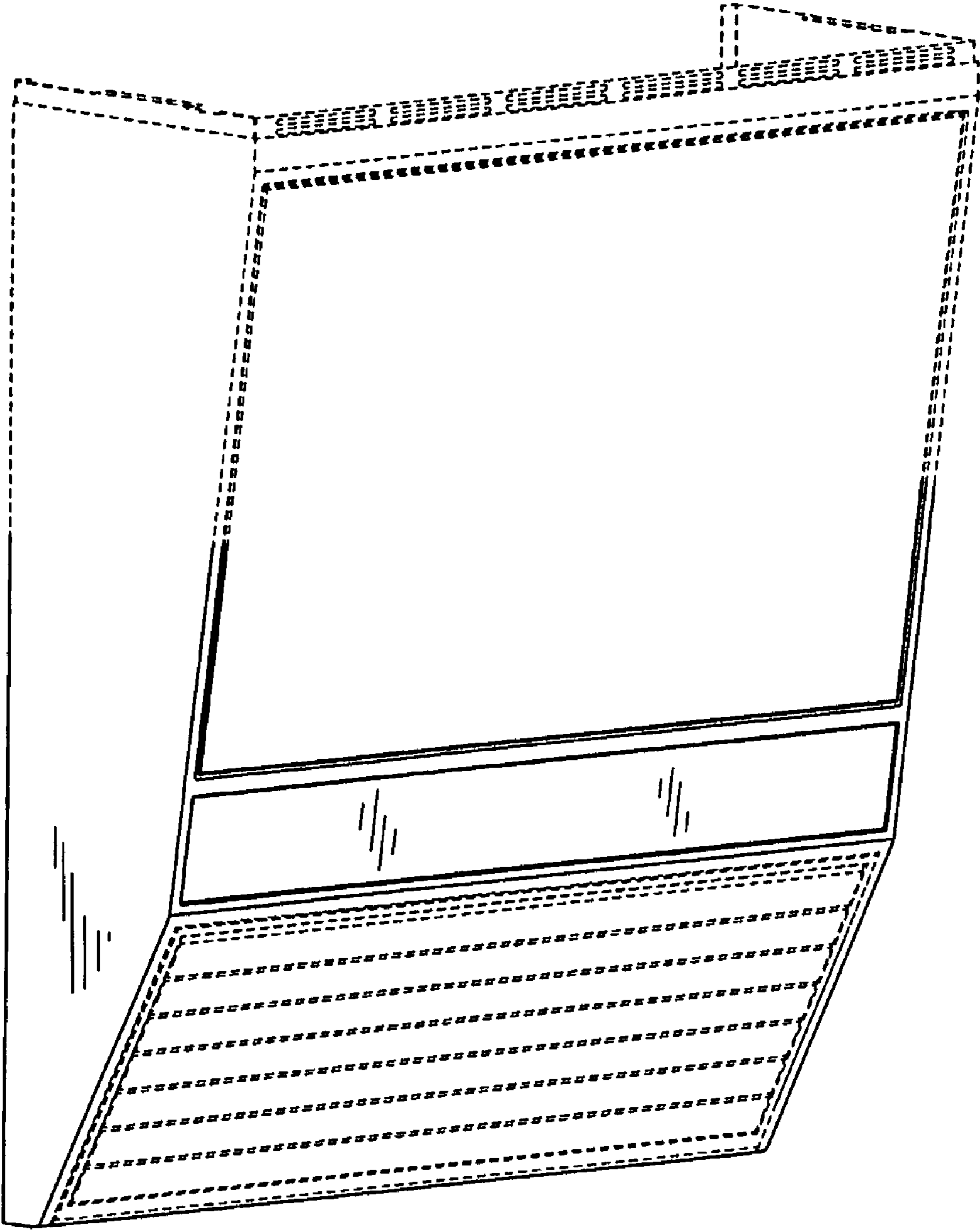


FIG. 1

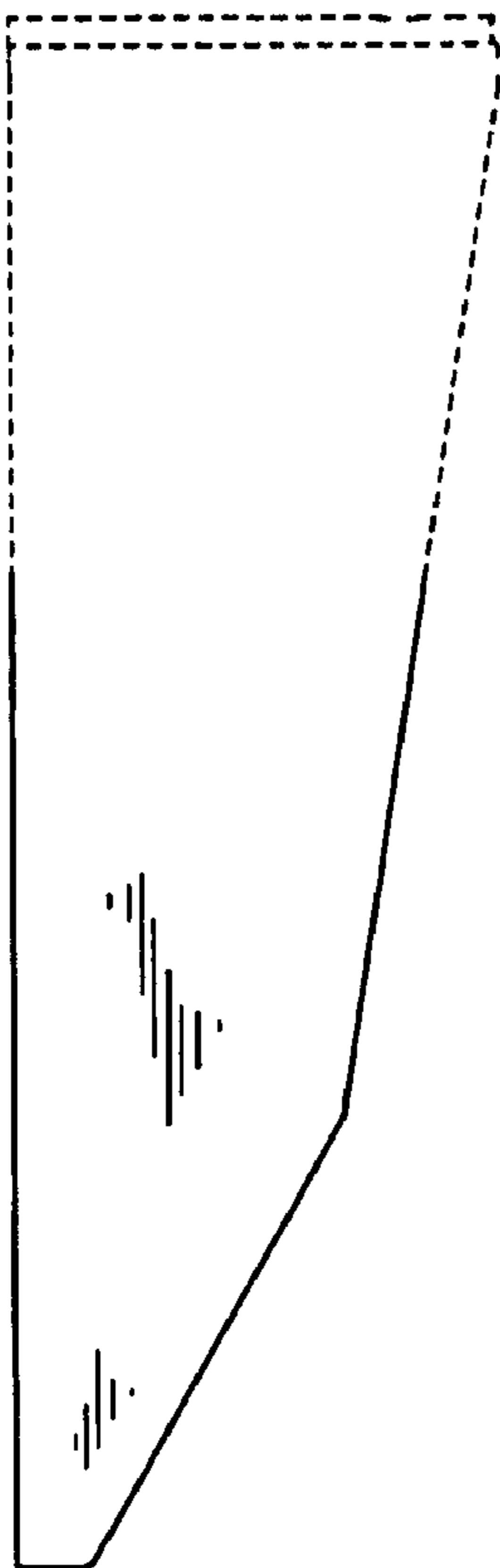


FIG. 2

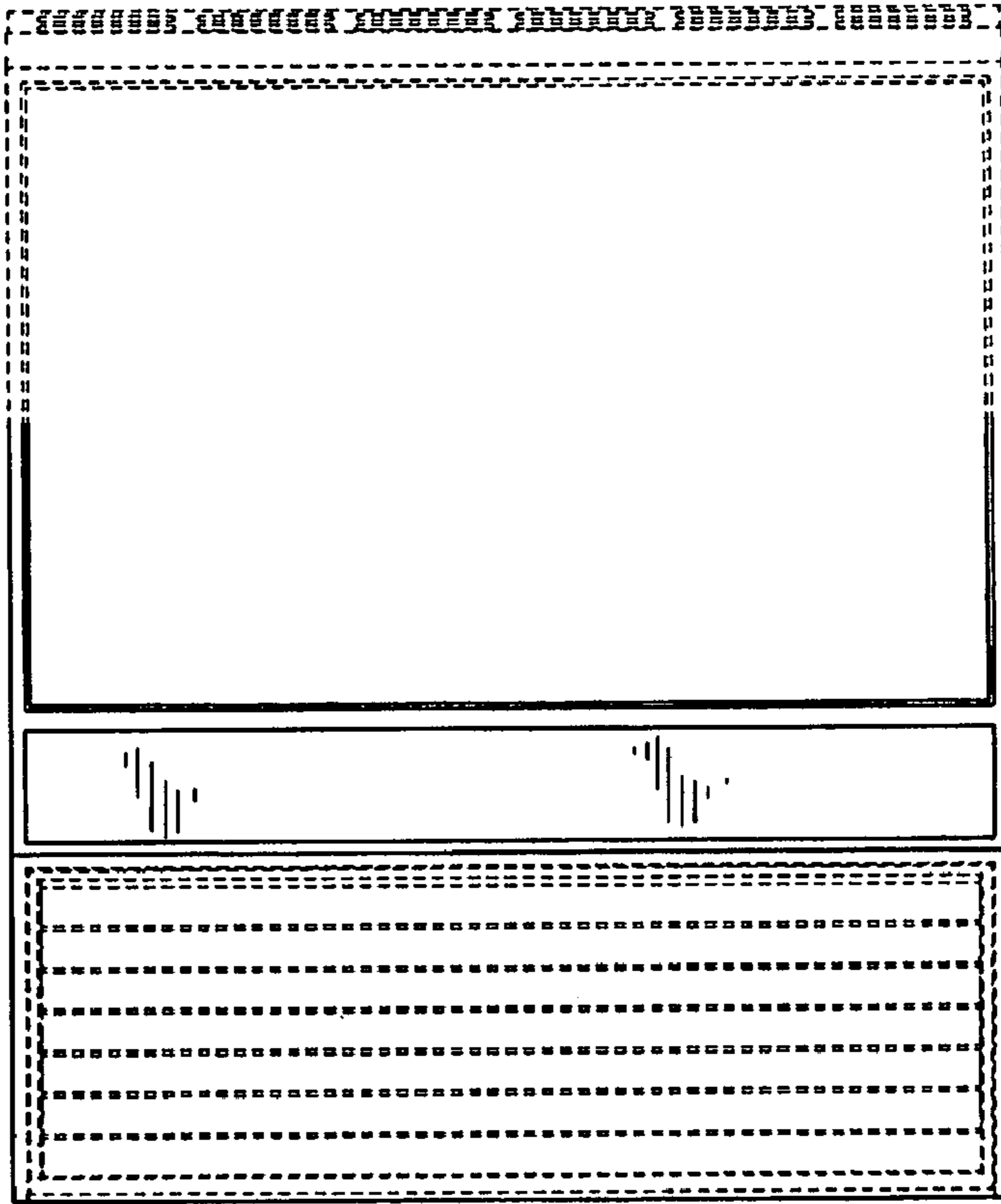


FIG. 3

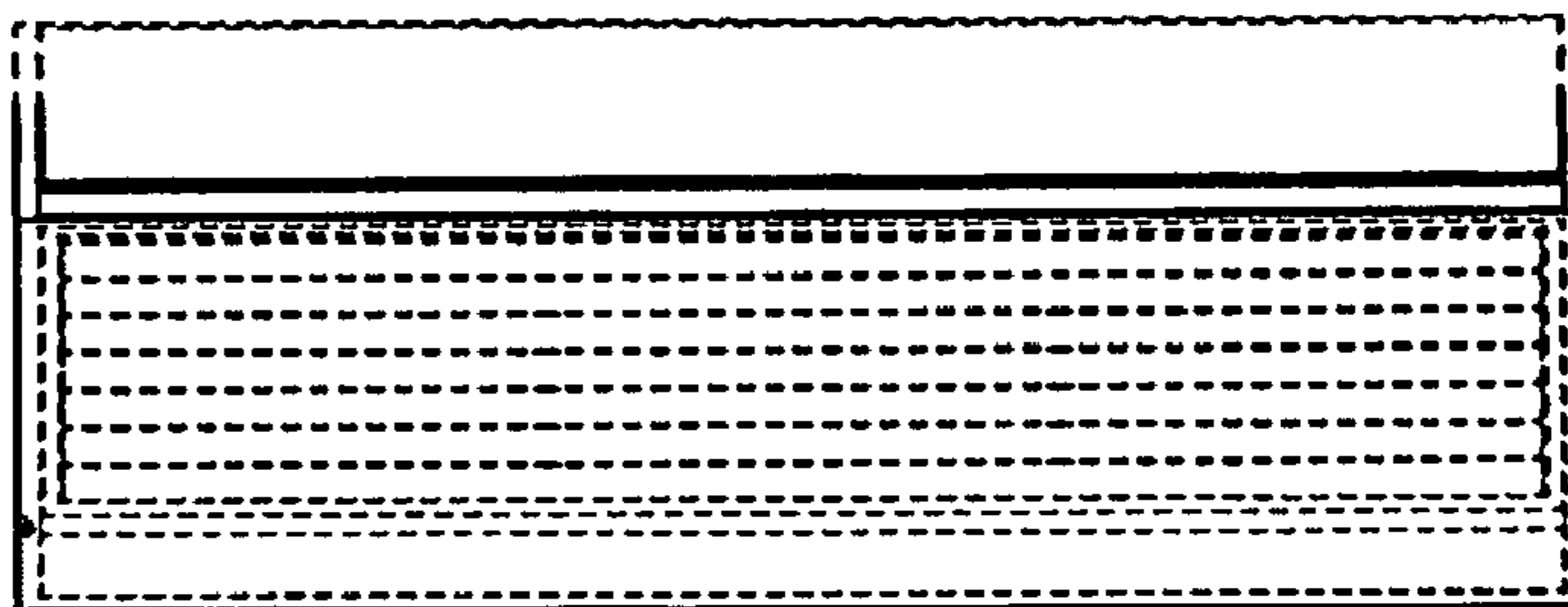


FIG. 4

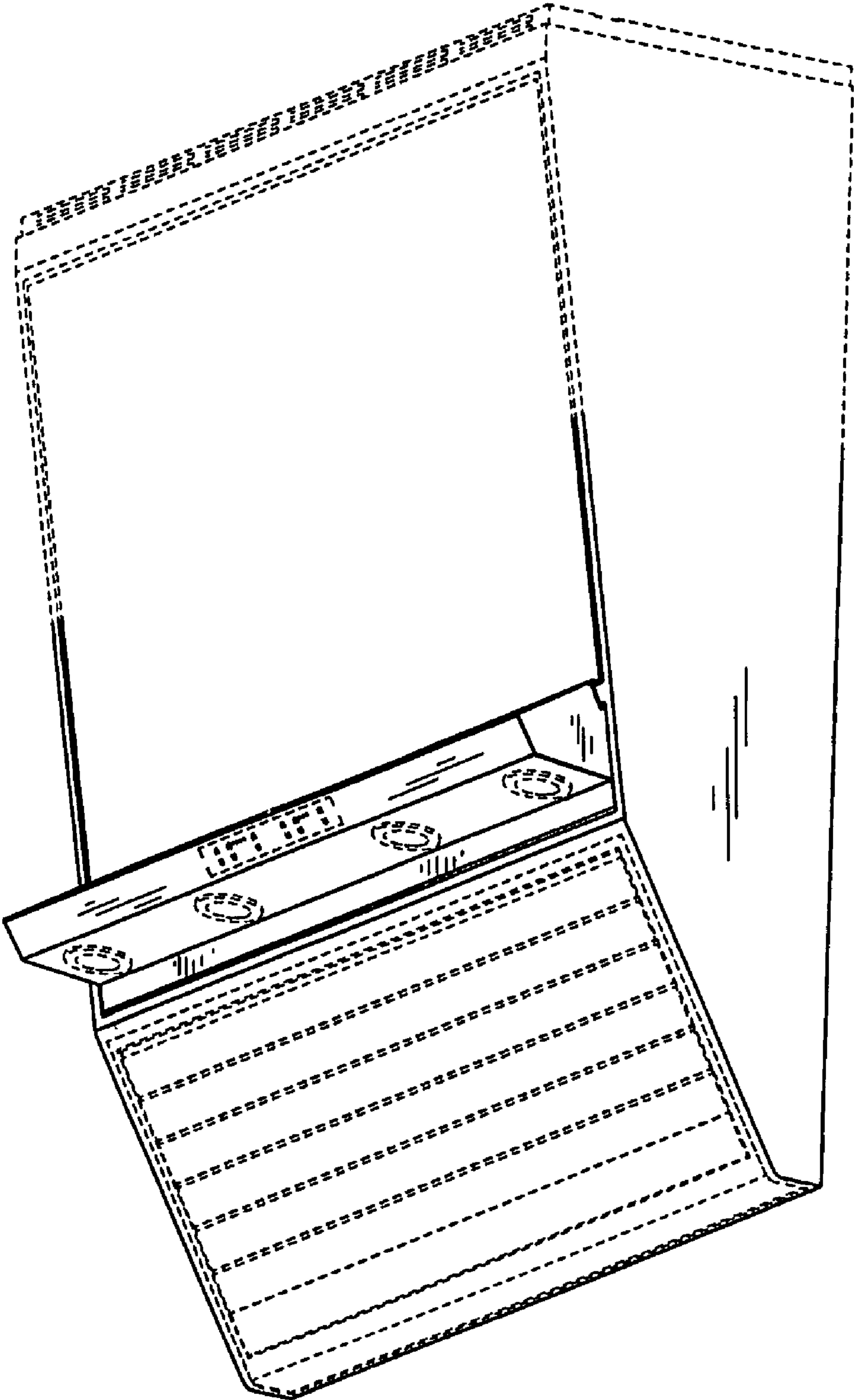


FIG. 5



FIG. 6

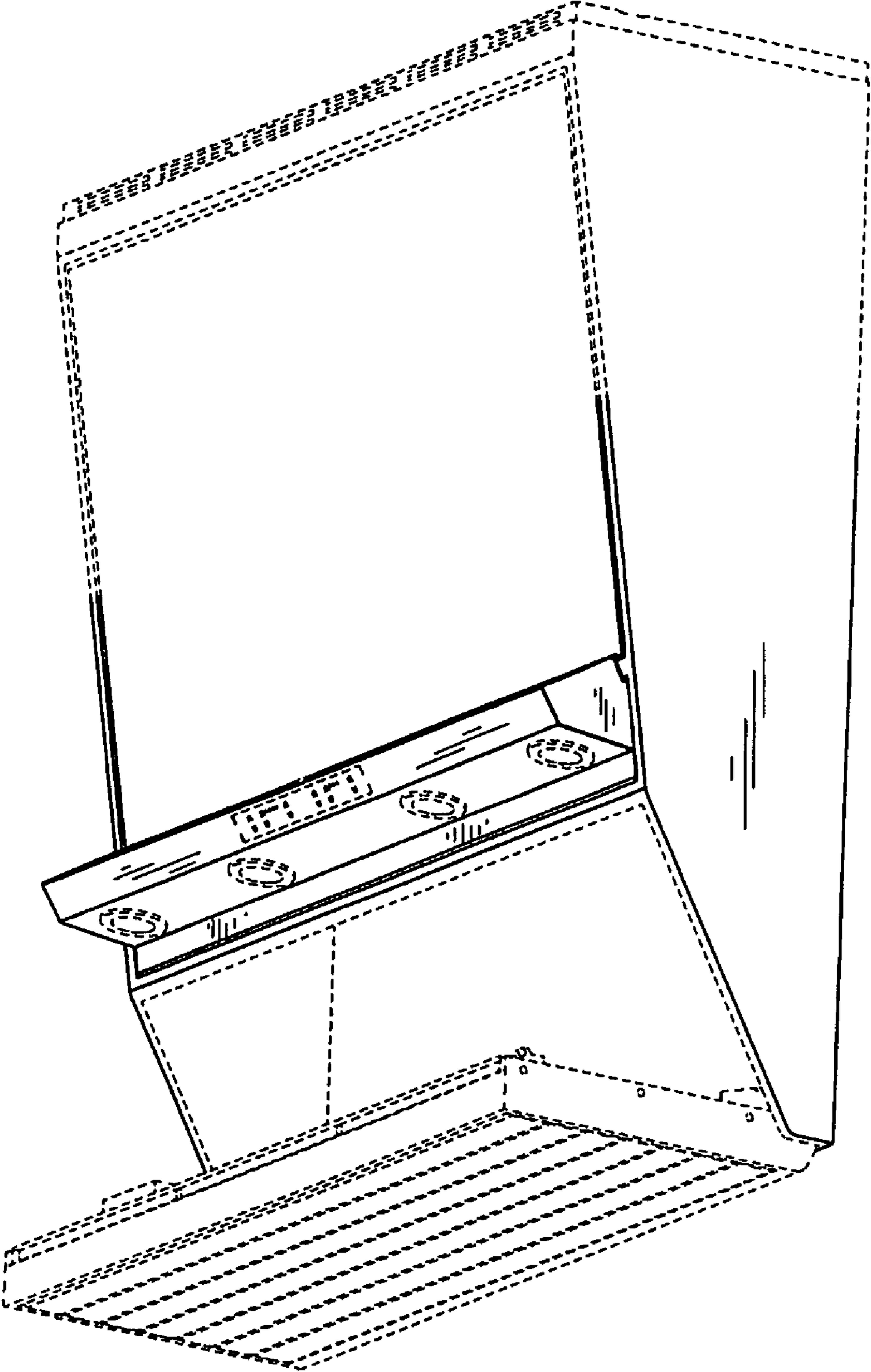


FIG. 7