



US00D563534S

(12) **United States Design Patent**
Kergoet

(10) **Patent No.:** **US D563,534 S**
(45) **Date of Patent:** **** Mar. 4, 2008**

(54) **LAVATORY**

(75) Inventor: **Francois Kergoet**, Malakoff (FR)

(73) Assignee: **Kohler France SAS**, Paris (FR)

(**) Term: **14 Years**

(21) Appl. No.: **29/276,272**

(22) Filed: **Jan. 19, 2007**

(30) **Foreign Application Priority Data**

Jul. 28, 2006 (EP) 000567862

(51) **LOC (8) Cl.** **23-02**

(52) **U.S. Cl.** **D23/293.1**

(58) **Field of Classification Search** D23/271-274,
D23/284-293.1, 303, 308; 4/619, 624, 661
See application file for complete search history.

(56) **References Cited**

U.S. PATENT DOCUMENTS

D385,957 S	11/1997	Garza	
D422,062 S	3/2000	Formgren	
D423,653 S *	4/2000	Svendsen D23/293.1
D545,411 S *	6/2007	Lin et al. D23/293.1

OTHER PUBLICATIONS

Duravit. "Architec 47CM Vanity Basin (with Overflow) White".
CPHart.co.uk online catalog. Copyright C.P. Hart.

* cited by examiner

Primary Examiner—Robert A. Delehanty
(74) *Attorney, Agent, or Firm*—Quarles & Brady LLP

(57) **CLAIM**

The ornamental design for a lavatory, as shown and described.

DESCRIPTION

In a preferred embodiment, the nature of this product is as a plumbing fixture in the form of a lavatory which is primarily useful for washing the body parts of humans.

FIG. 1 is a top, front perspective view of a lavatory embodying my new design;

FIG. 2 is a front elevational view thereof, the rear elevational view thereof being a mirror image of the front view shown;

FIG. 3 is a right side elevational view thereof, the left side elevational view thereof being a mirror image of the right side shown;

FIG. 4 is a top plan view thereof;

FIG. 5 is a bottom plan view thereof;

FIG. 6 is a top, front perspective view of a lavatory according to another embodiment of my new design;

FIG. 7 is a front elevational view thereof;

FIG. 8 is a rear elevational view thereof;

FIG. 9 is a right side elevational view thereof, the left side elevational view thereof being a mirror image of the right side shown;

FIG. 10 is a top plan view thereof;

FIG. 11 is a bottom plan view thereof;

FIG. 12 is a top, front perspective view of a lavatory according to another embodiment of my new design;

FIG. 13 is a front elevational view thereof, the rear elevational view thereof being a mirror image of the front view shown;

FIG. 14 is a right side elevational view thereof, the left side elevational view thereof being a mirror image of the right side shown;

FIG. 15 is a top plan view thereof;

FIG. 16 is a bottom plan view thereof;

FIG. 17 is a top, front perspective view of a lavatory according to another embodiment of my new design;

FIG. 18 is a front elevational view thereof;

FIG. 19 is a rear elevational view thereof;

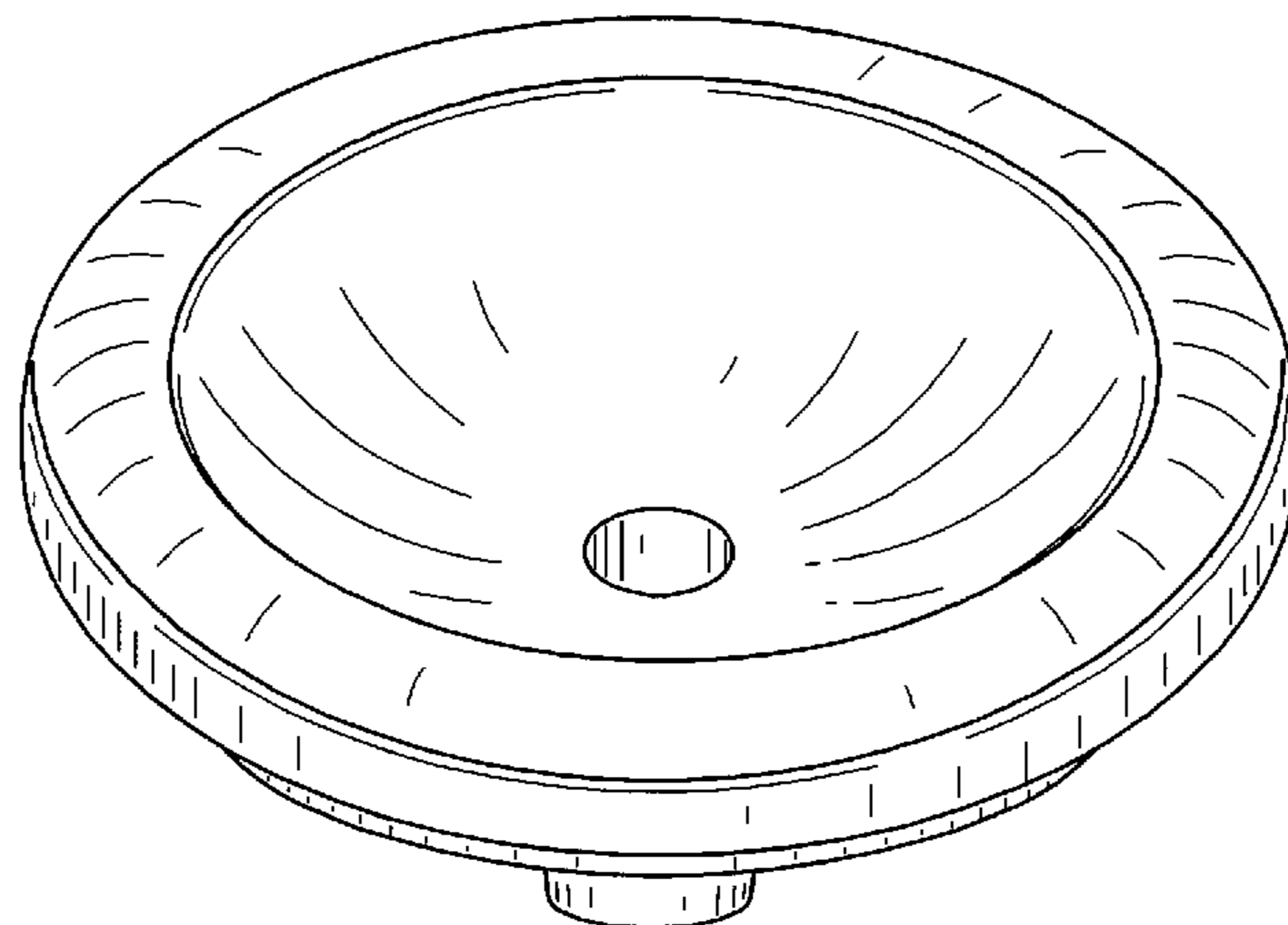
FIG. 20 is a right side elevational view thereof, the left side elevational view thereof being a mirror image of the right side shown;

FIG. 21 is a top plan view thereof; and,

FIG. 22 is a bottom plan view thereof.

The broken line representations in FIGS. 12, 15-17 and 19-22 are for the purpose of illustration only, and form no part of the claimed design.

1 Claim, 14 Drawing Sheets



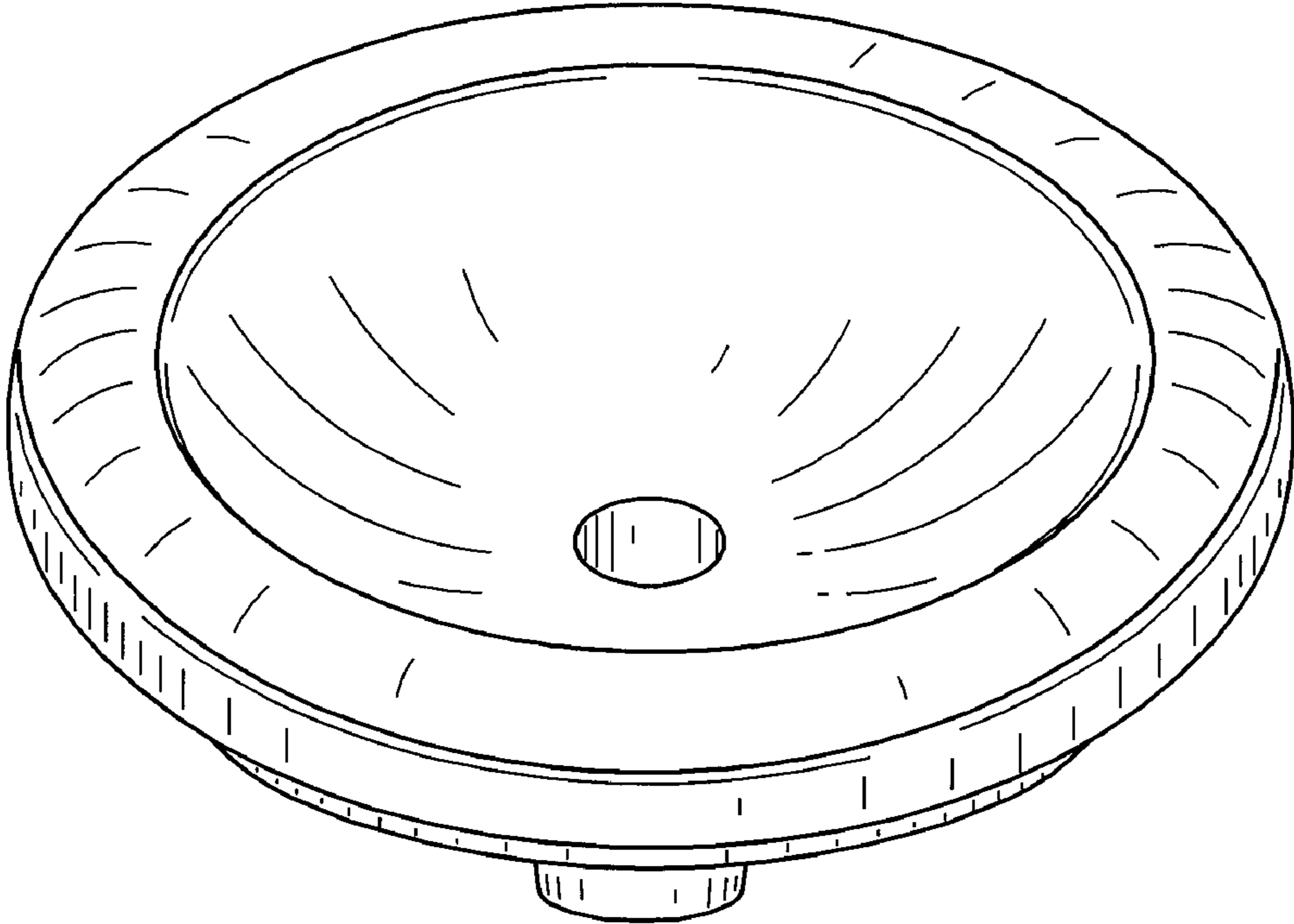


FIG. 1

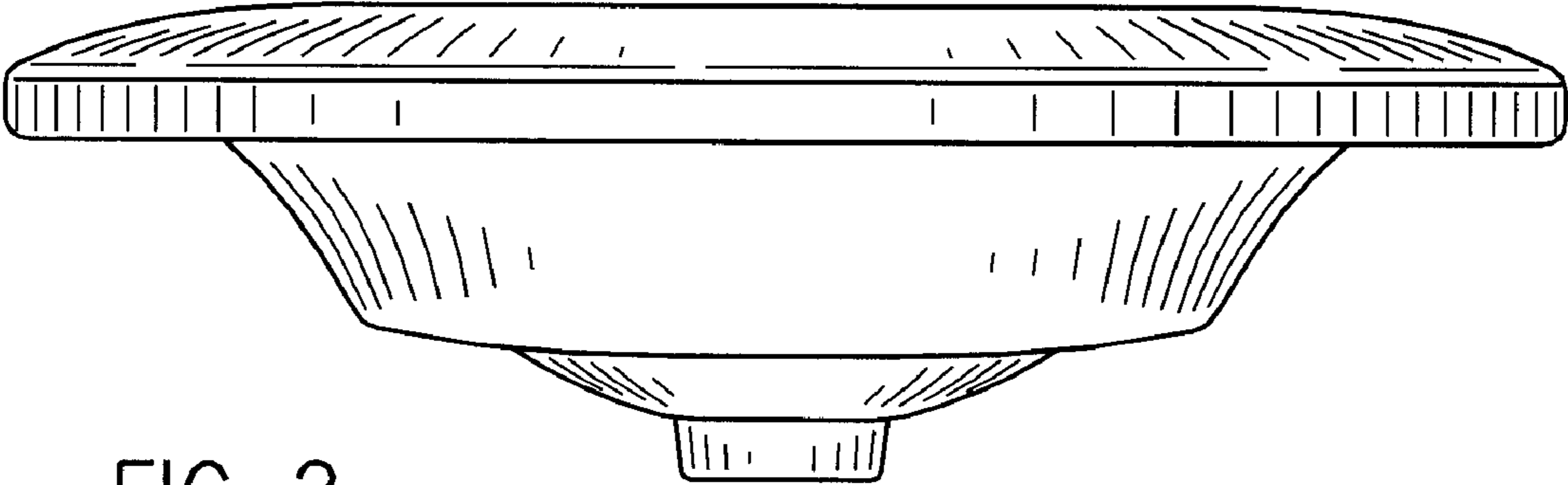


FIG. 2

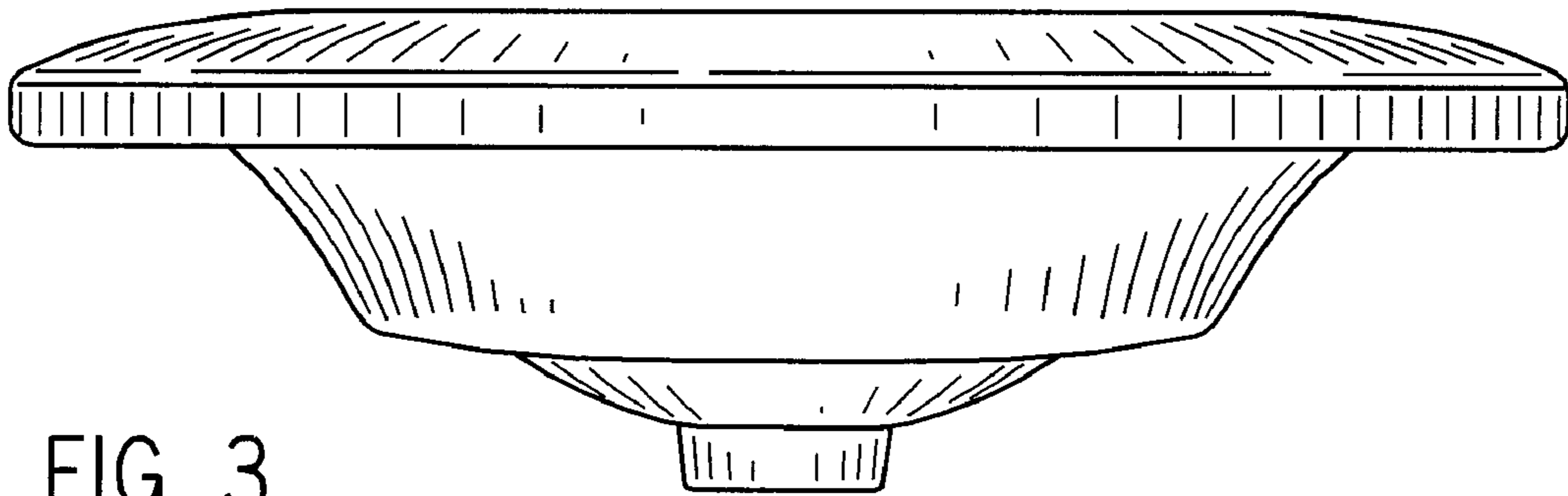


FIG. 3

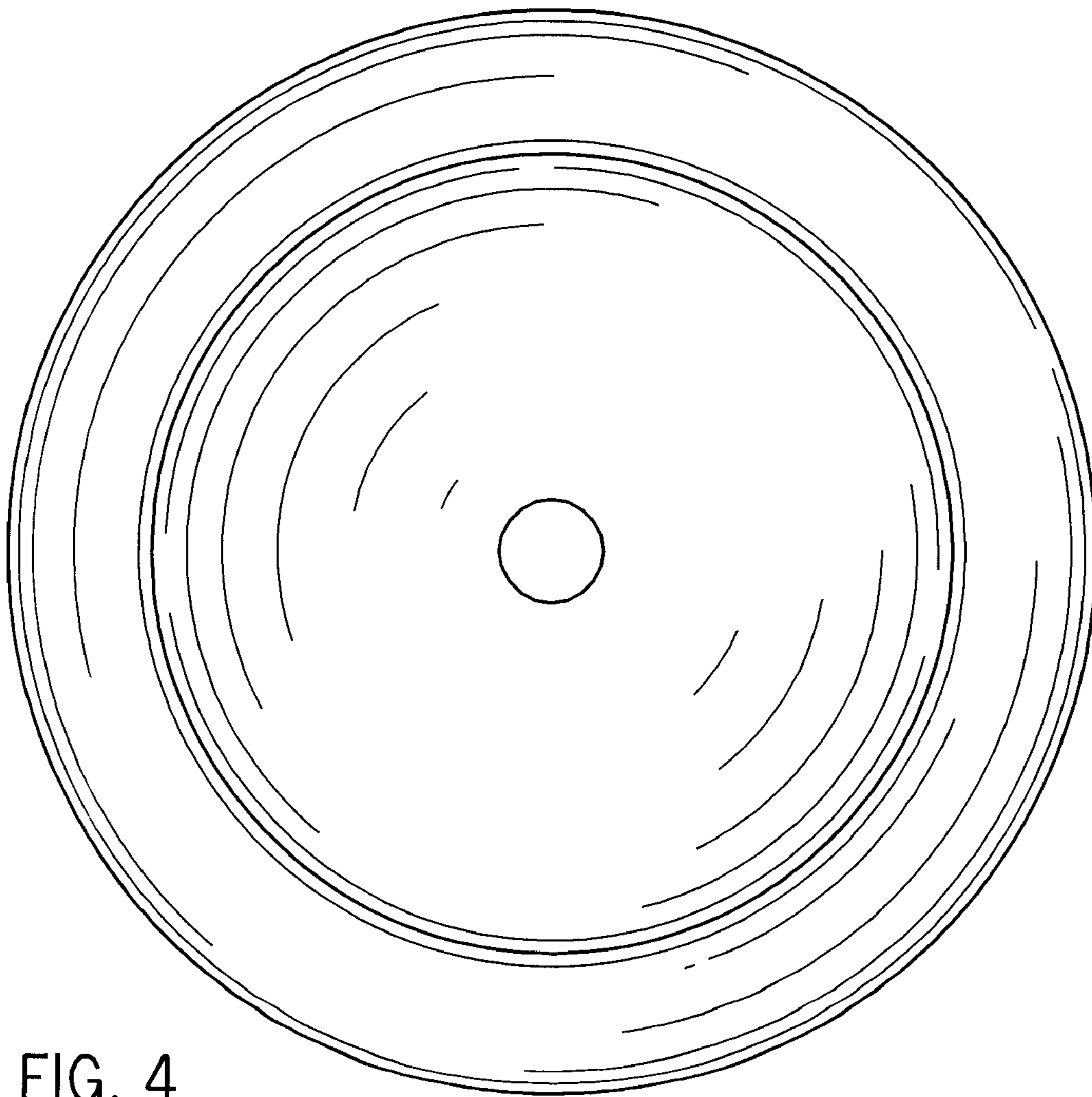


FIG. 4

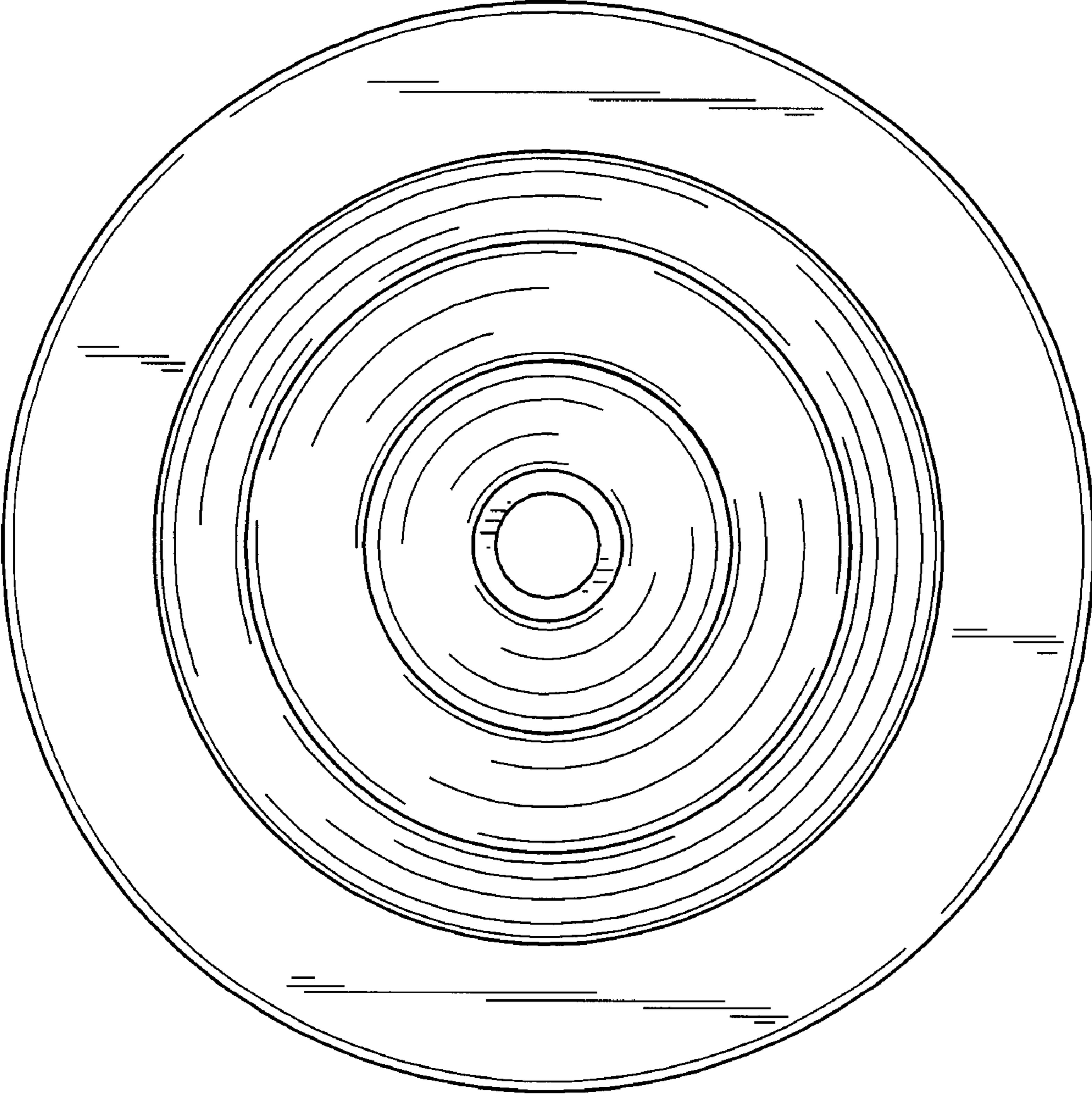


FIG. 5

FIG. 6

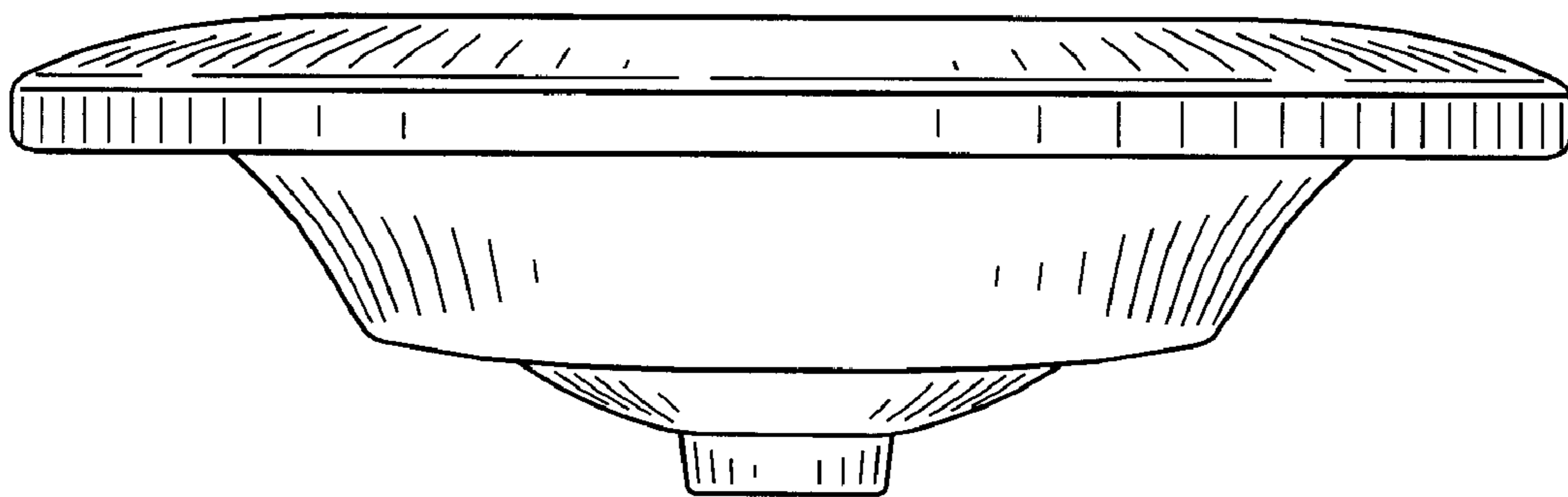
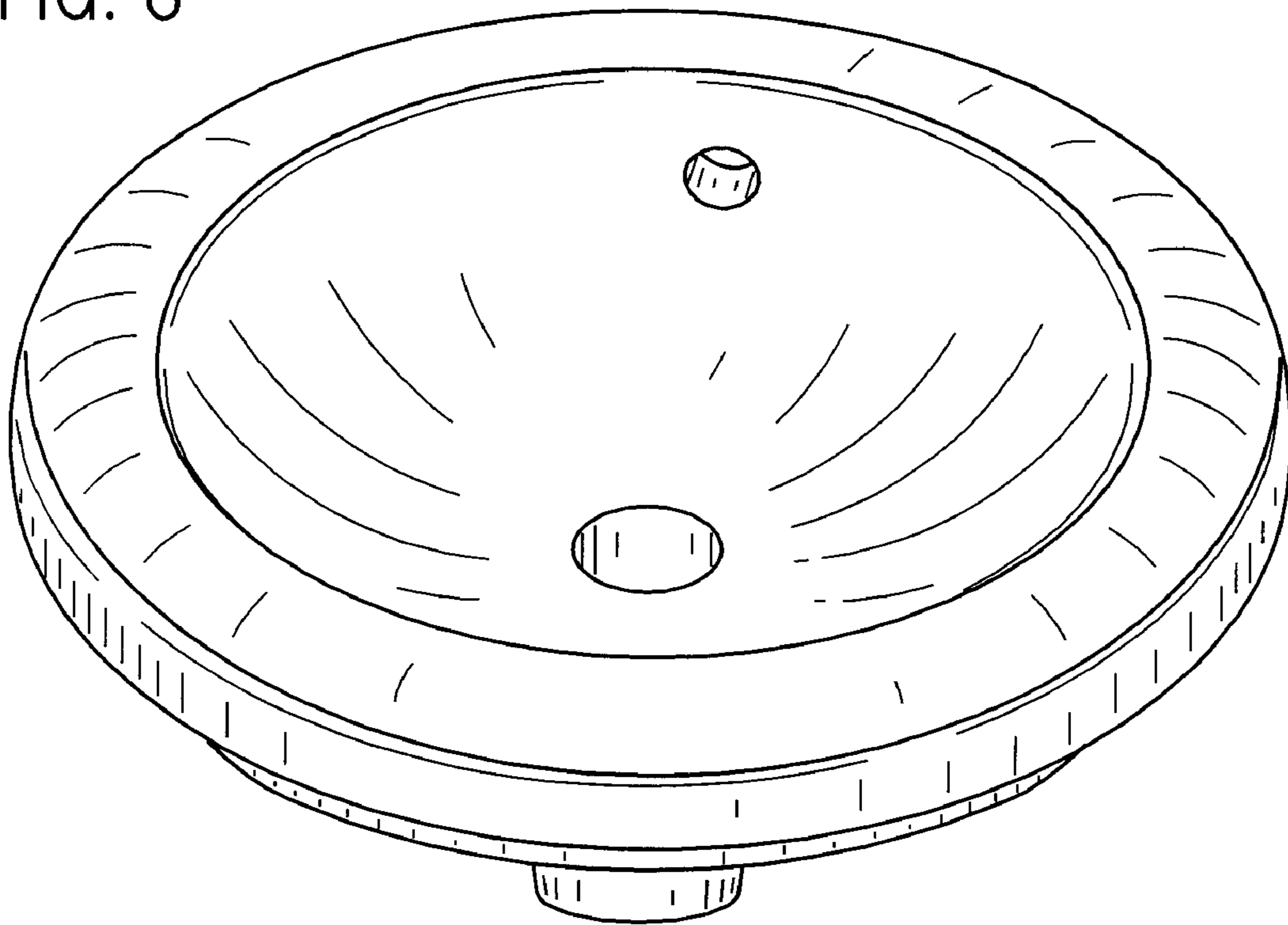


FIG. 7

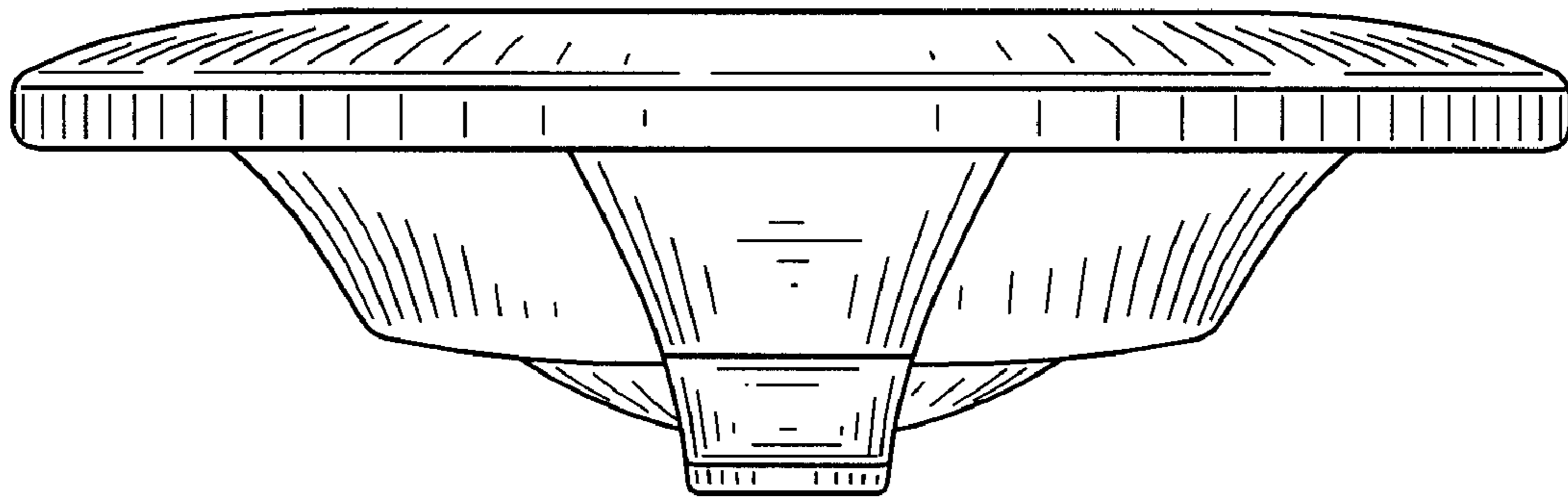


FIG. 8

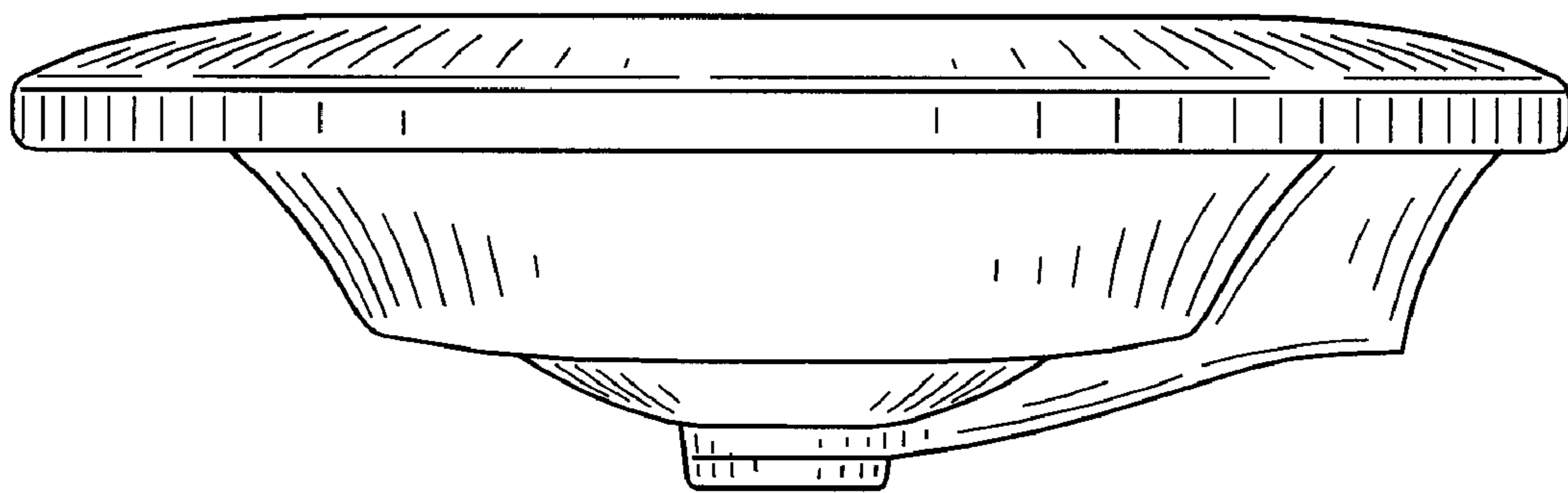


FIG. 9

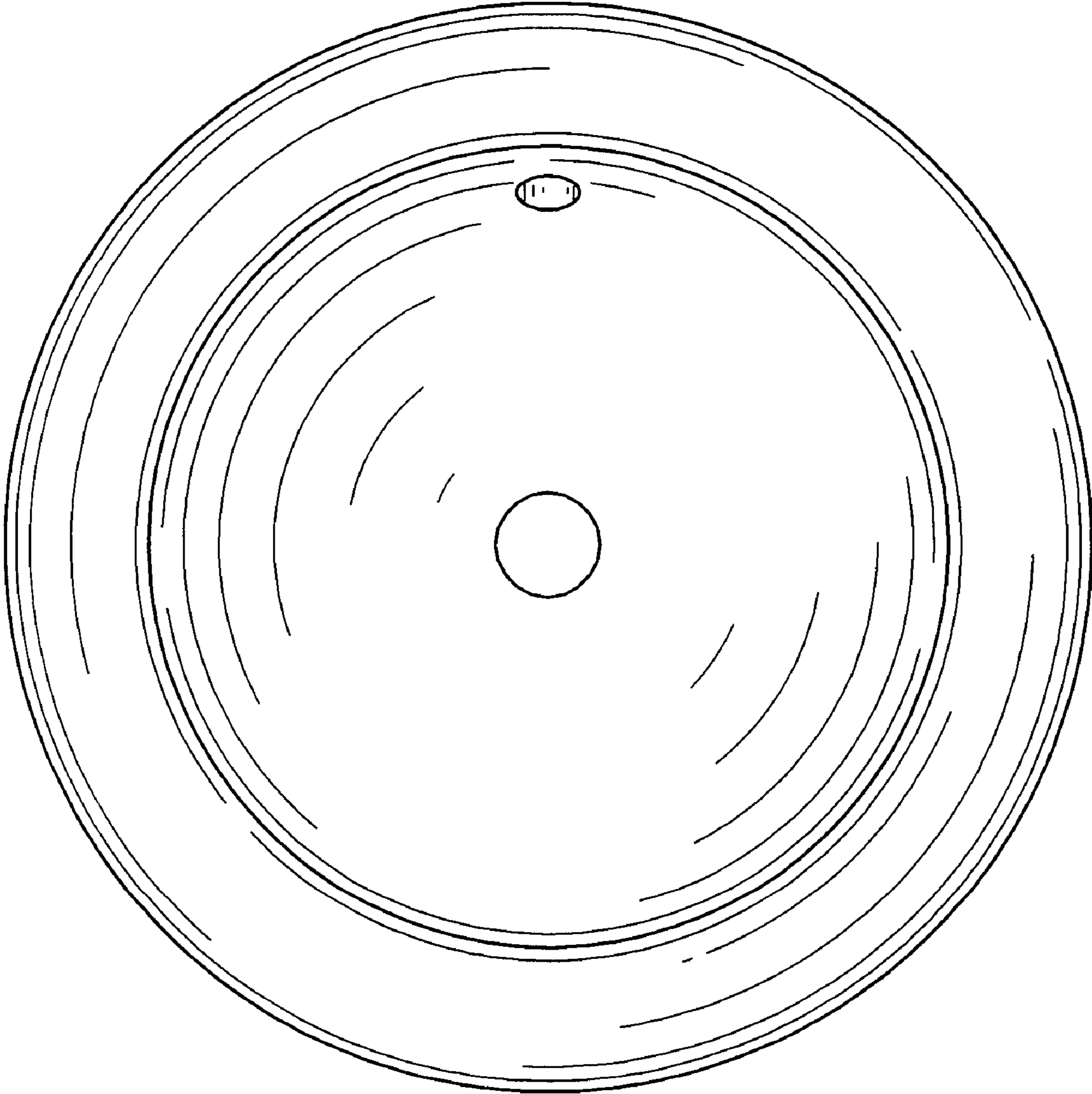


FIG. 10

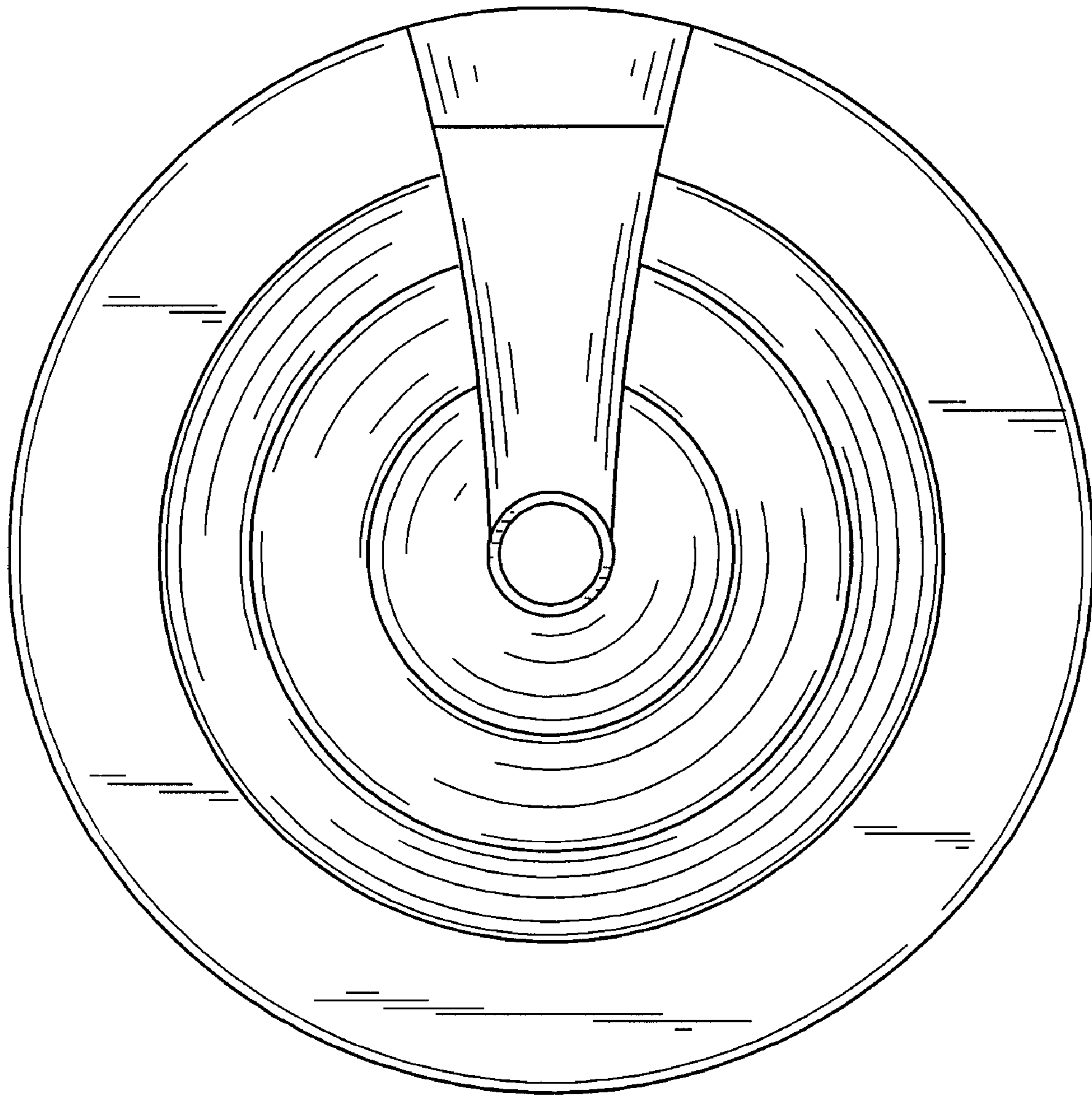


FIG. 11

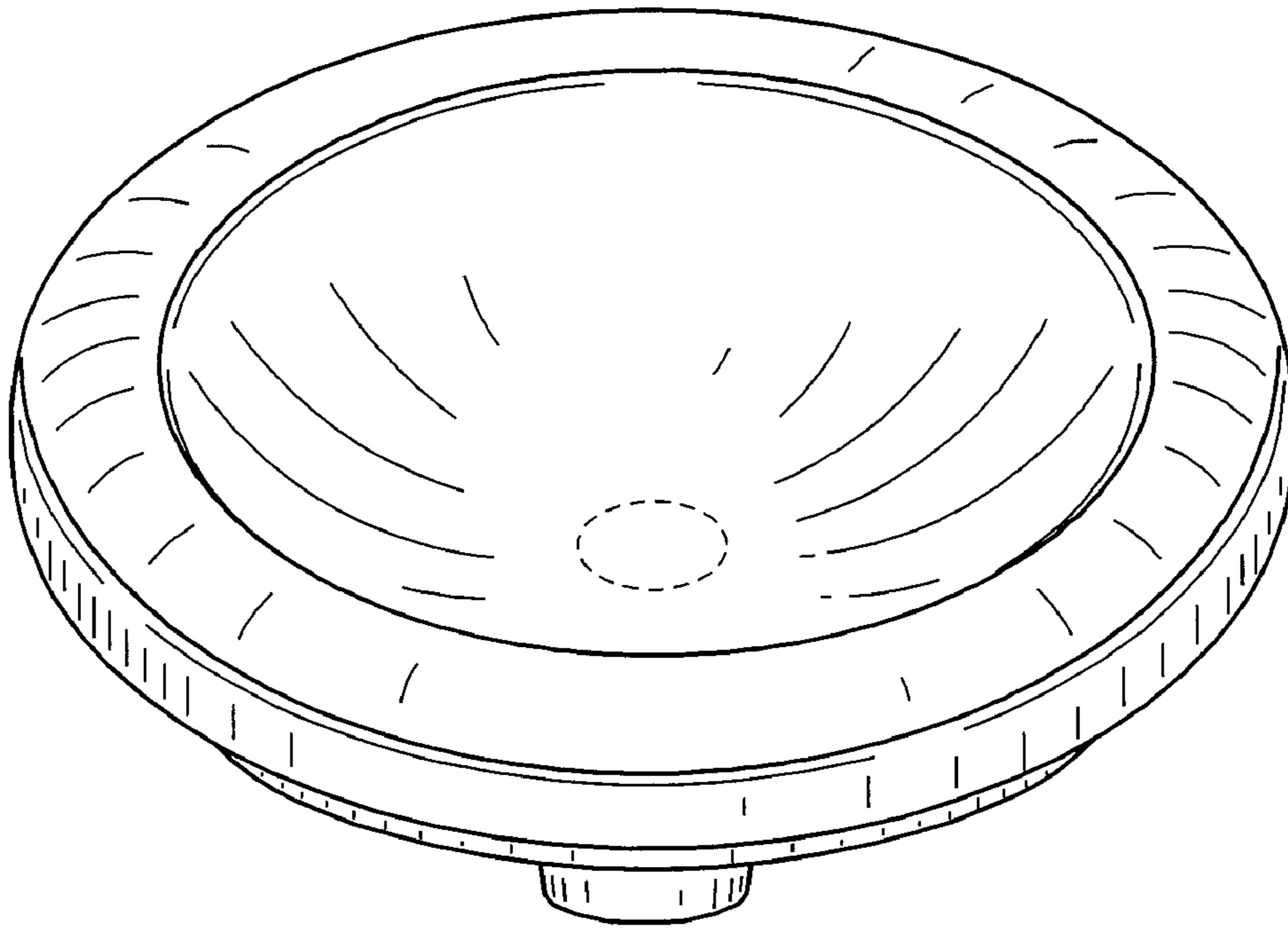


FIG. 12

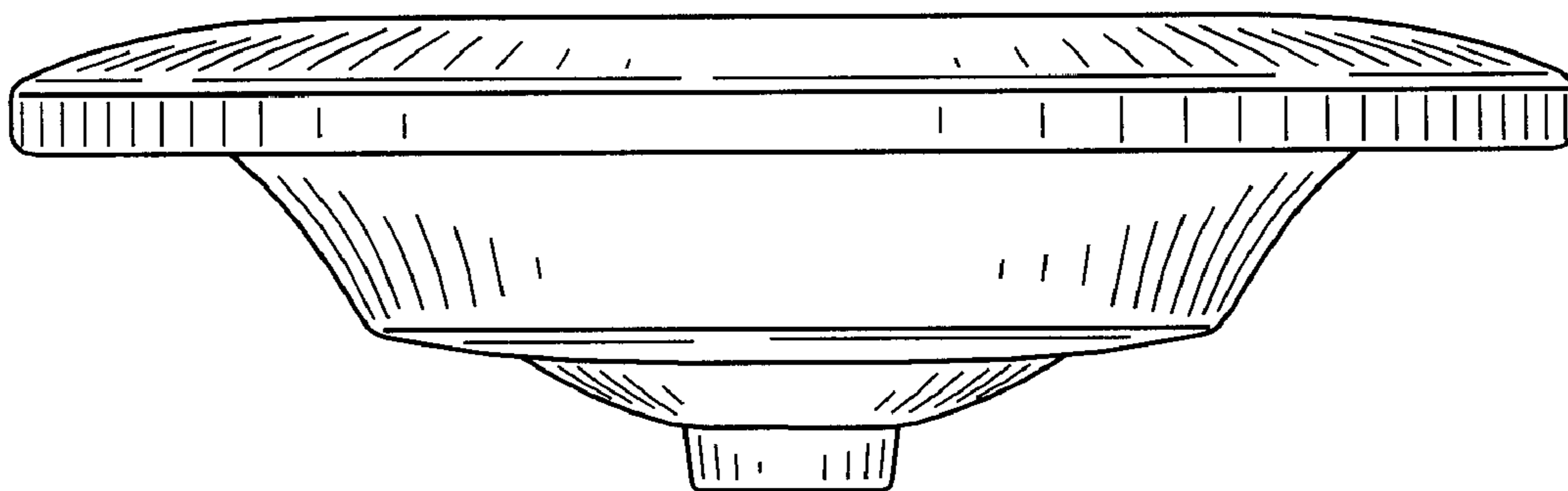


FIG. 13

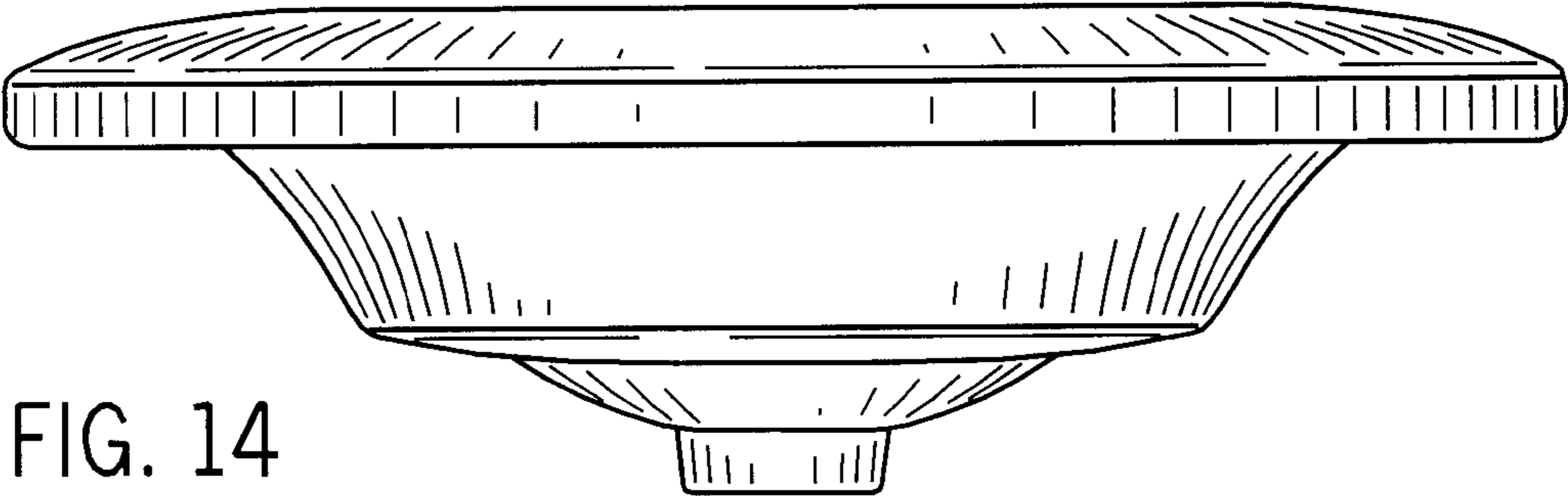


FIG. 14

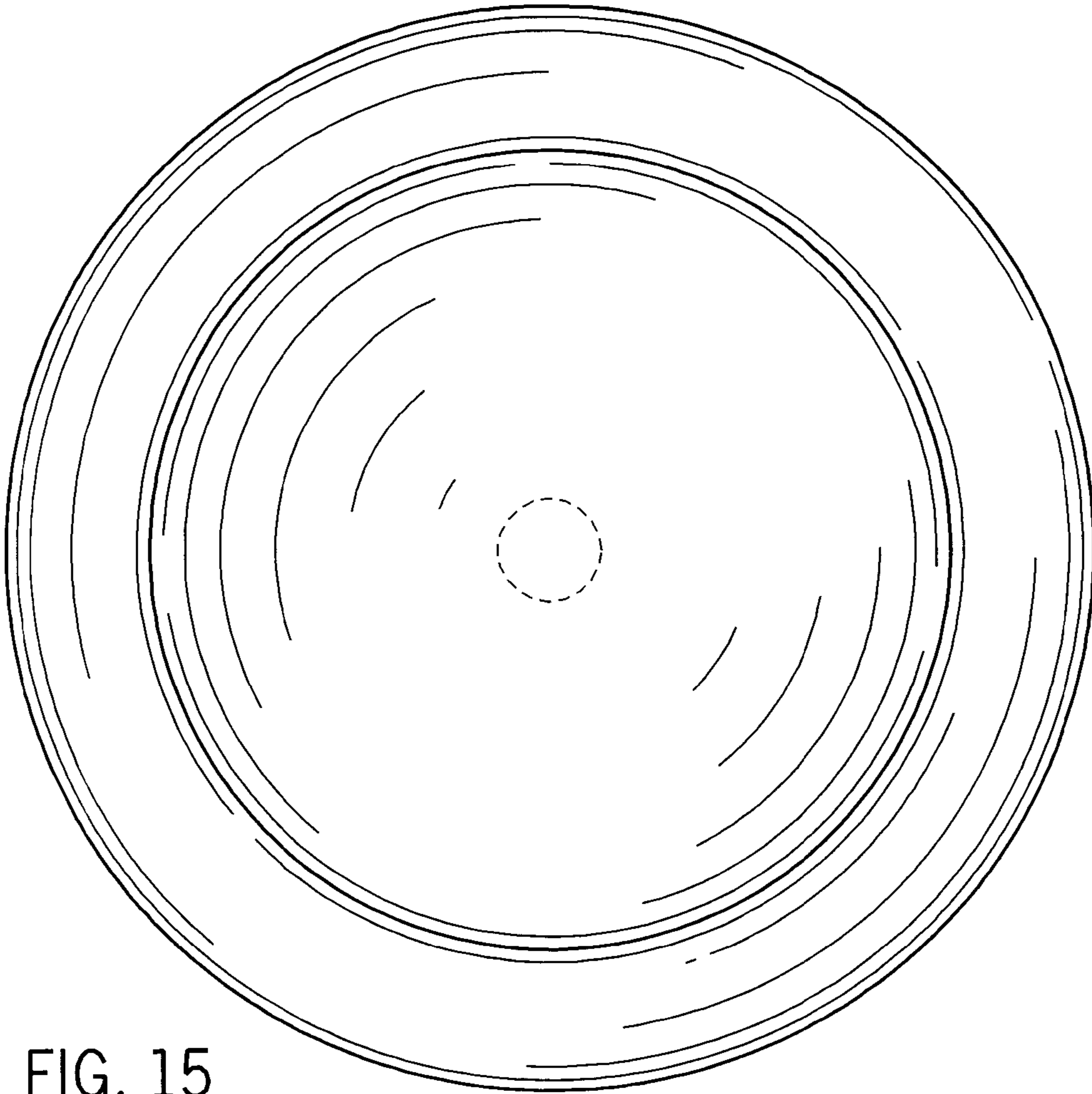


FIG. 15

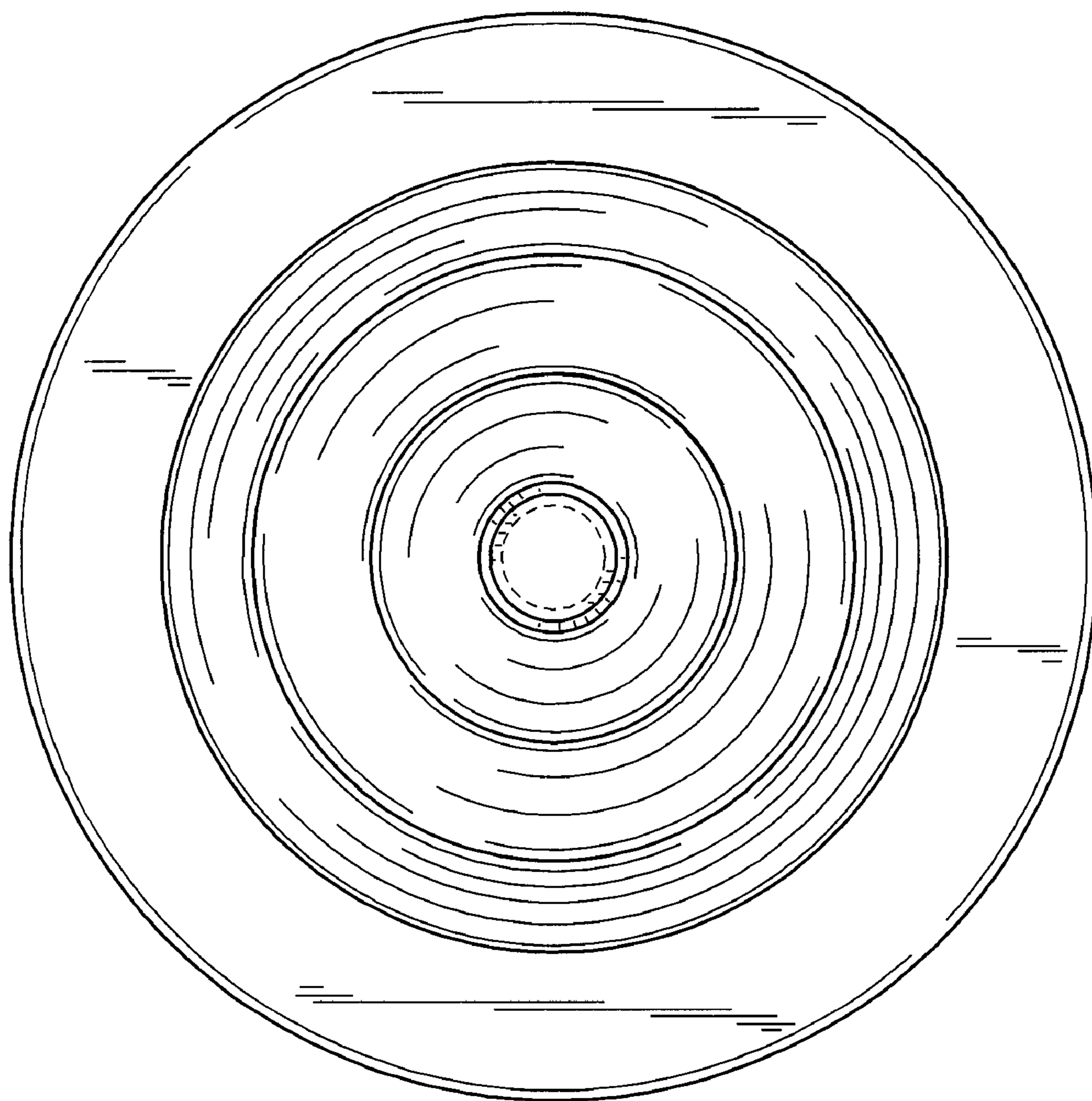


FIG. 16

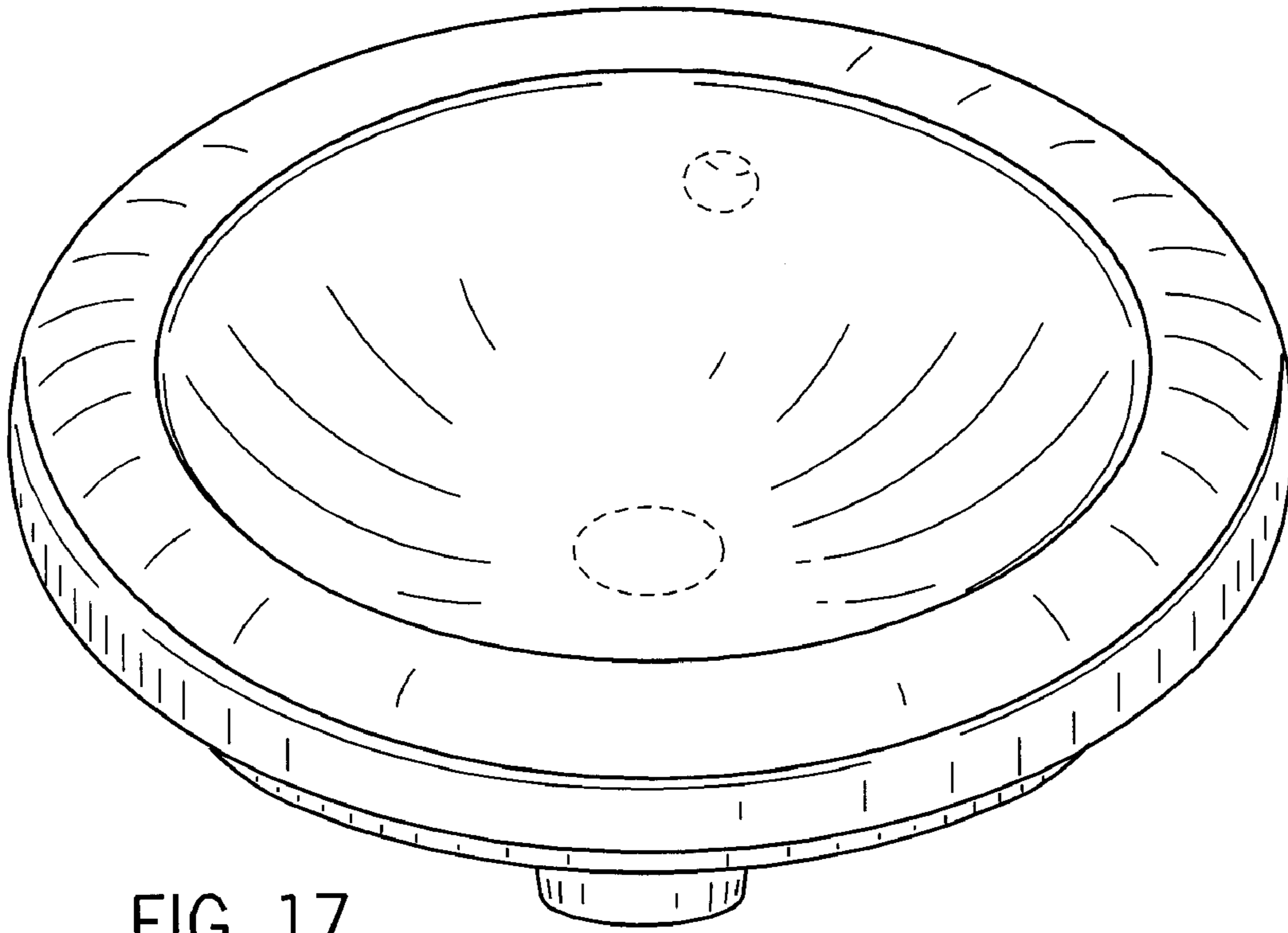


FIG. 17

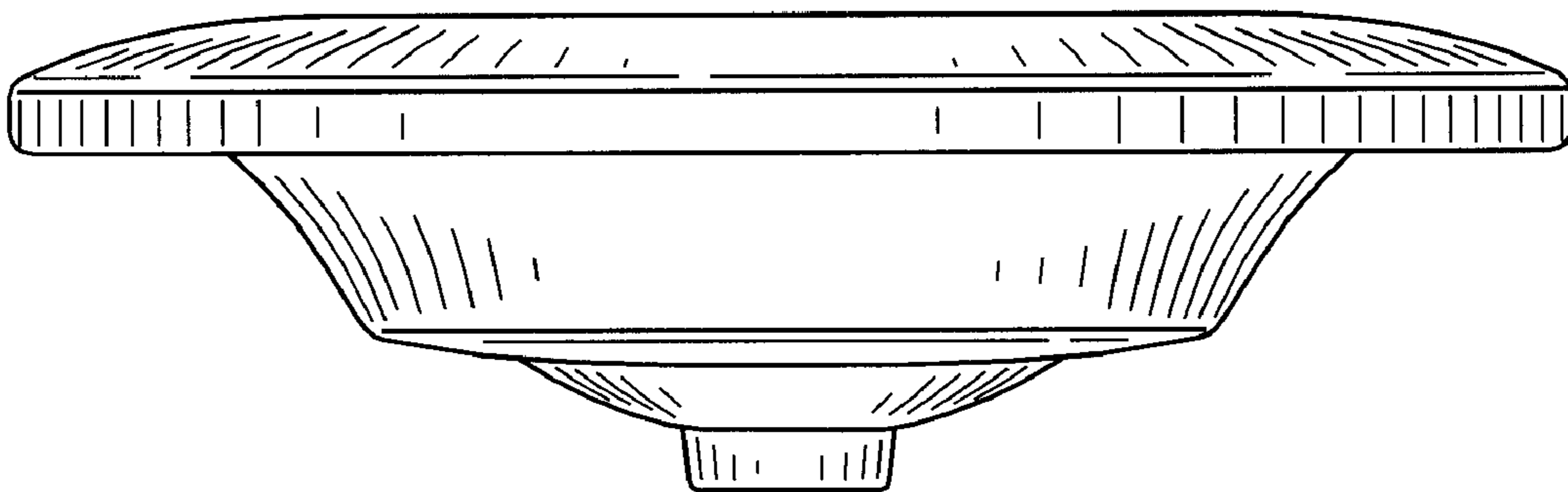


FIG. 18

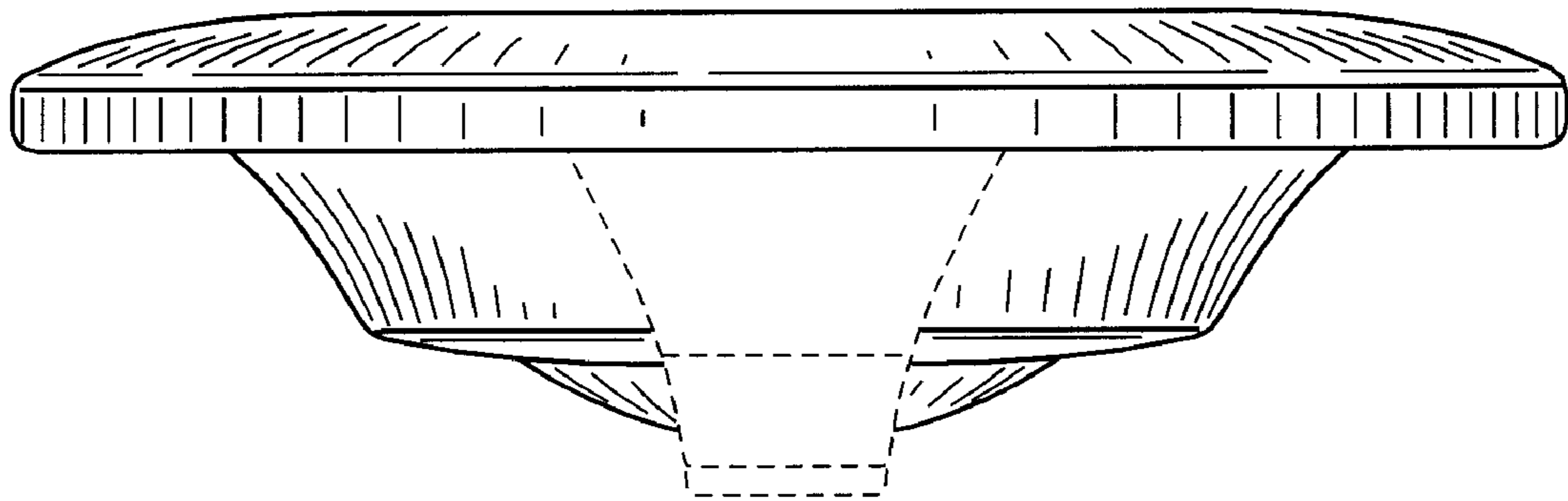


FIG. 19

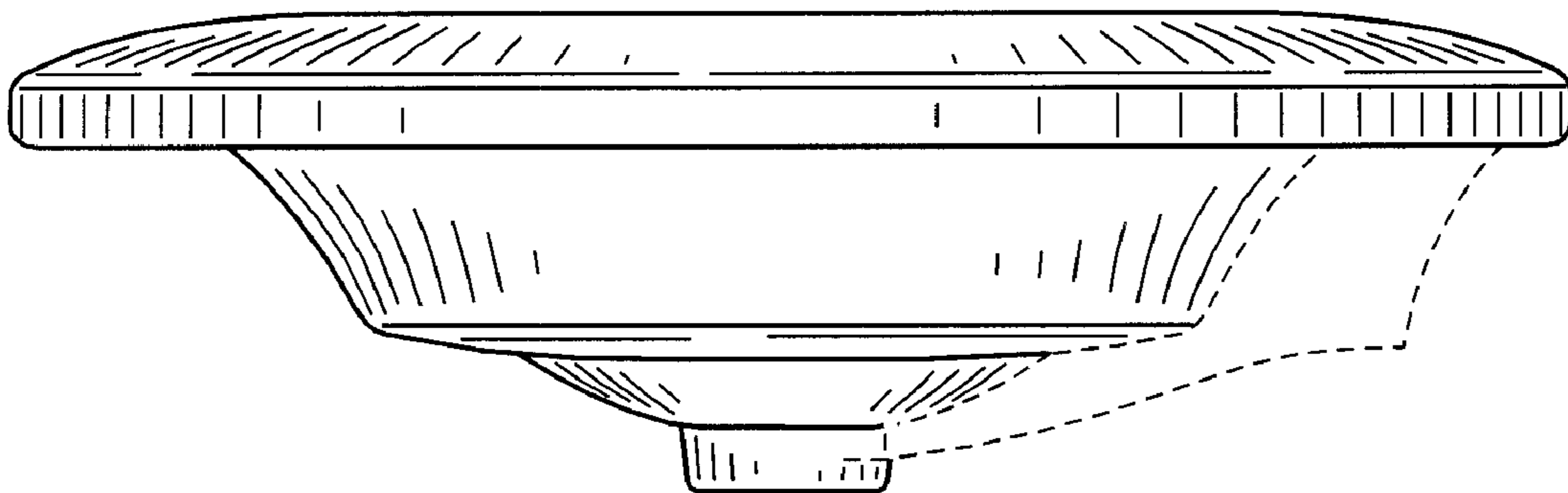


FIG. 20

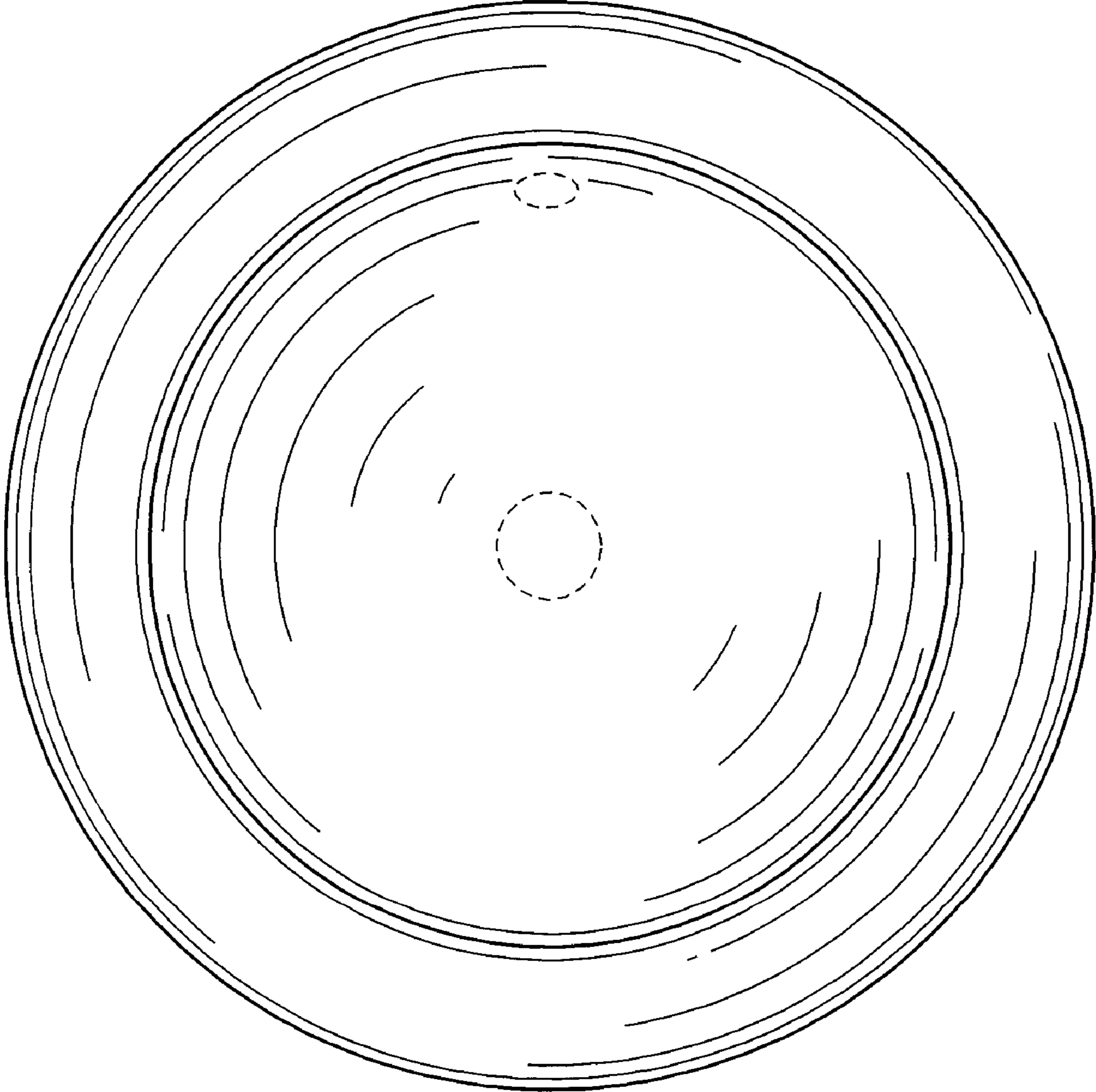


FIG. 21

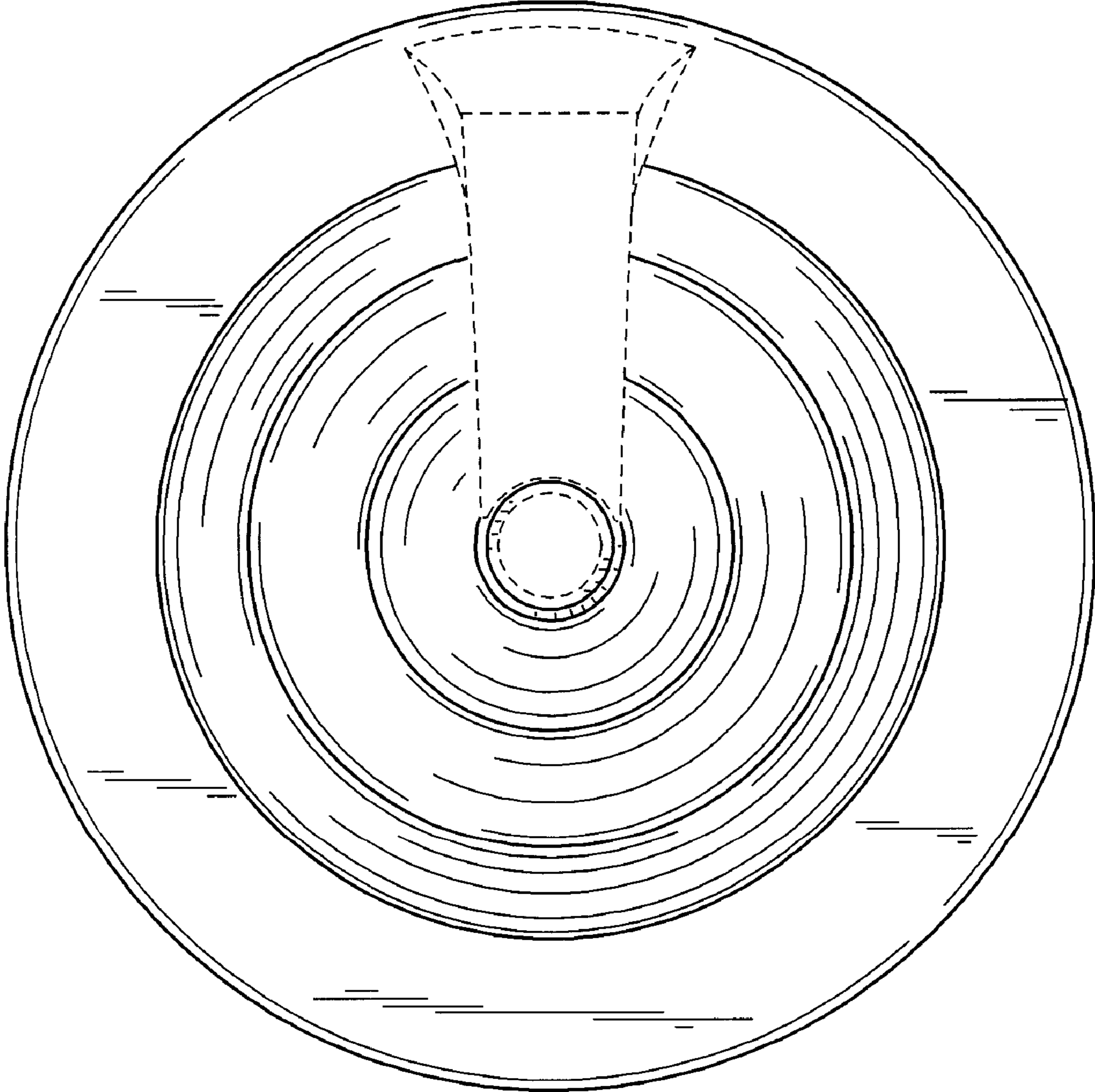


FIG. 22