



US00D563533S

(12) **United States Design Patent**
Kakihana et al.

(10) **Patent No.:** **US D563,533 S**
(45) **Date of Patent:** **** Mar. 4, 2008**

(54) **LAVATORY**

(75) Inventors: **Hajime Kakihana**, Morrow, GA (US);
James Piatt, Morrow, GA (US)

(73) Assignee: **ToTo Ltd.**, Kitakyusyu-Shi (JP)

(**) Term: **14 Years**

(21) Appl. No.: **29/274,473**

(22) Filed: **Apr. 27, 2007**

(51) **LOC (8) Cl.** **23-02**

(52) **U.S. Cl.** **D23/293.1**

(58) **Field of Classification Search** D23/271-274,
D23/284-293.1, 303, 308; 4/619, 624, 661
See application file for complete search history.

(56) **References Cited**

U.S. PATENT DOCUMENTS

D504,170 S 4/2005 Kergoet et al.
D545,414 S * 6/2007 Maruhashi et al. D23/293.1

* cited by examiner

Primary Examiner—Robert A. Delehanty

(74) *Attorney, Agent, or Firm*—Birch, Stewart, Kolasch & Birch, LLP

(57) **CLAIM**

The ornamental design for a lavatory, as shown and described.

DESCRIPTION

FIG. 1 is a perspective view of the top, front and right side of a lavatory showing our new design;

FIG. 2 is a top plan view thereof;

FIG. 3 is a front view thereof;

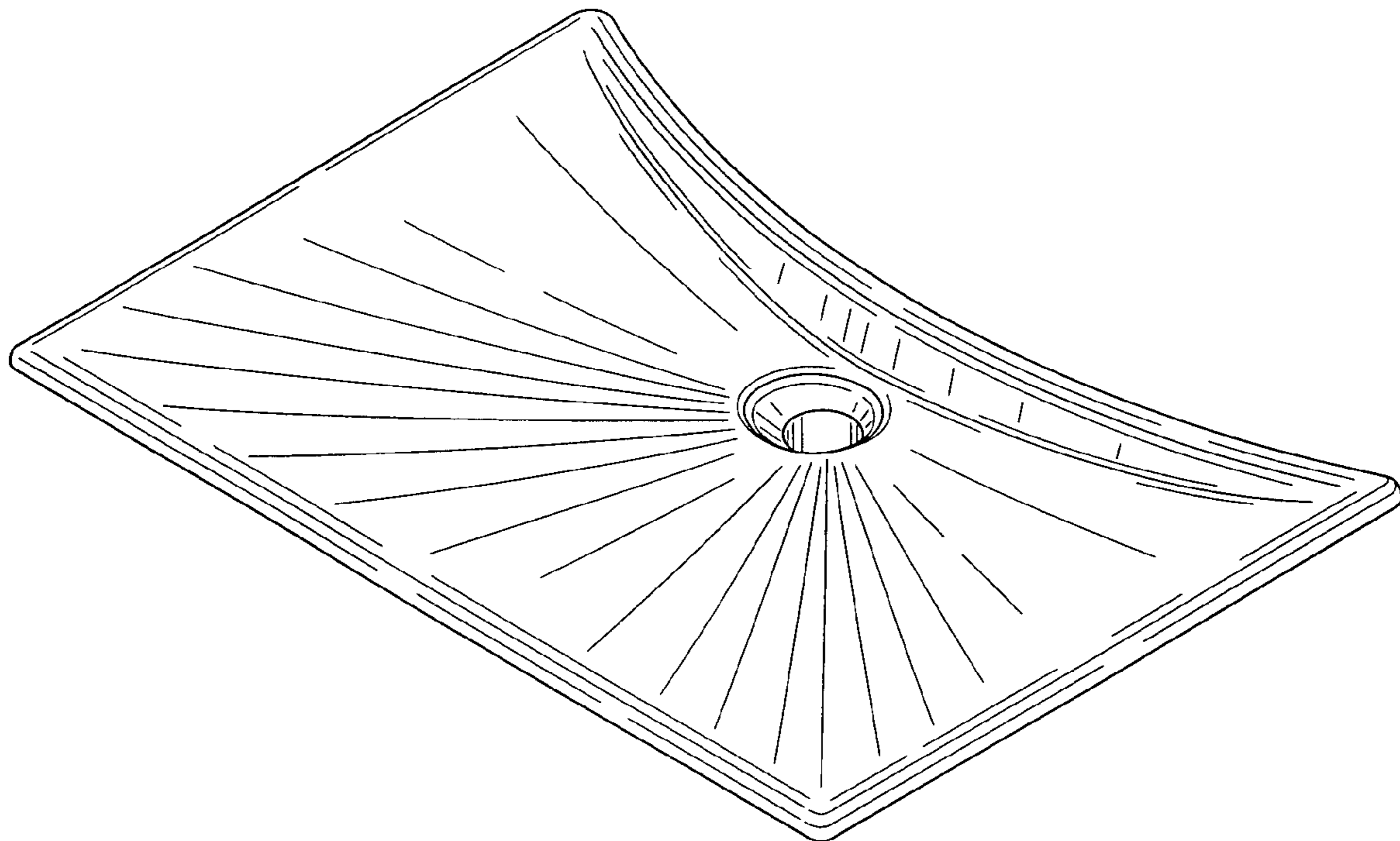
FIG. 4 is a left side view thereof;

FIG. 5 is a right side view thereof;

FIG. 6 is a rear view thereof; and,

FIG. 7 is a bottom view thereof.

1 Claim, 4 Drawing Sheets



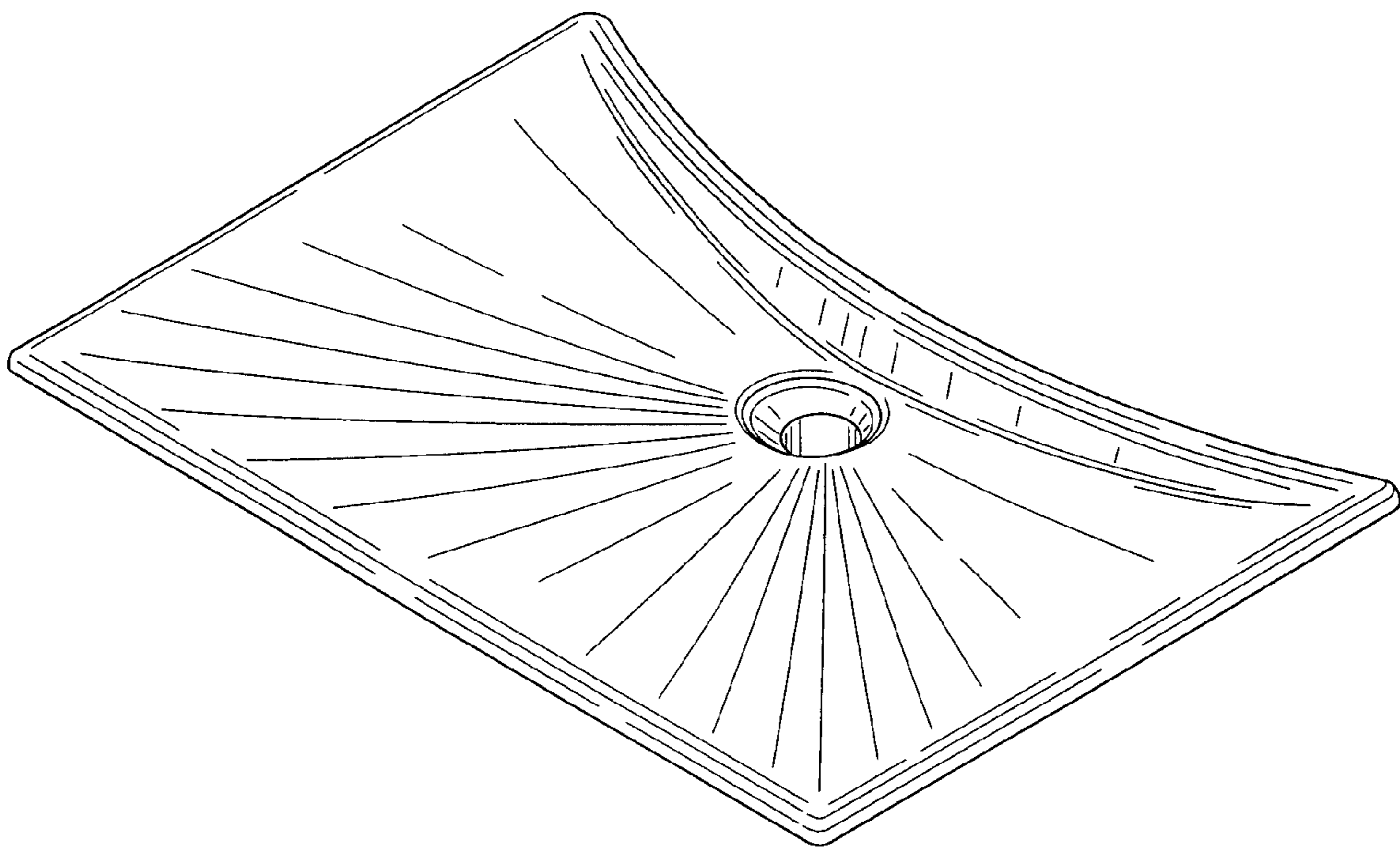


FIG. 1

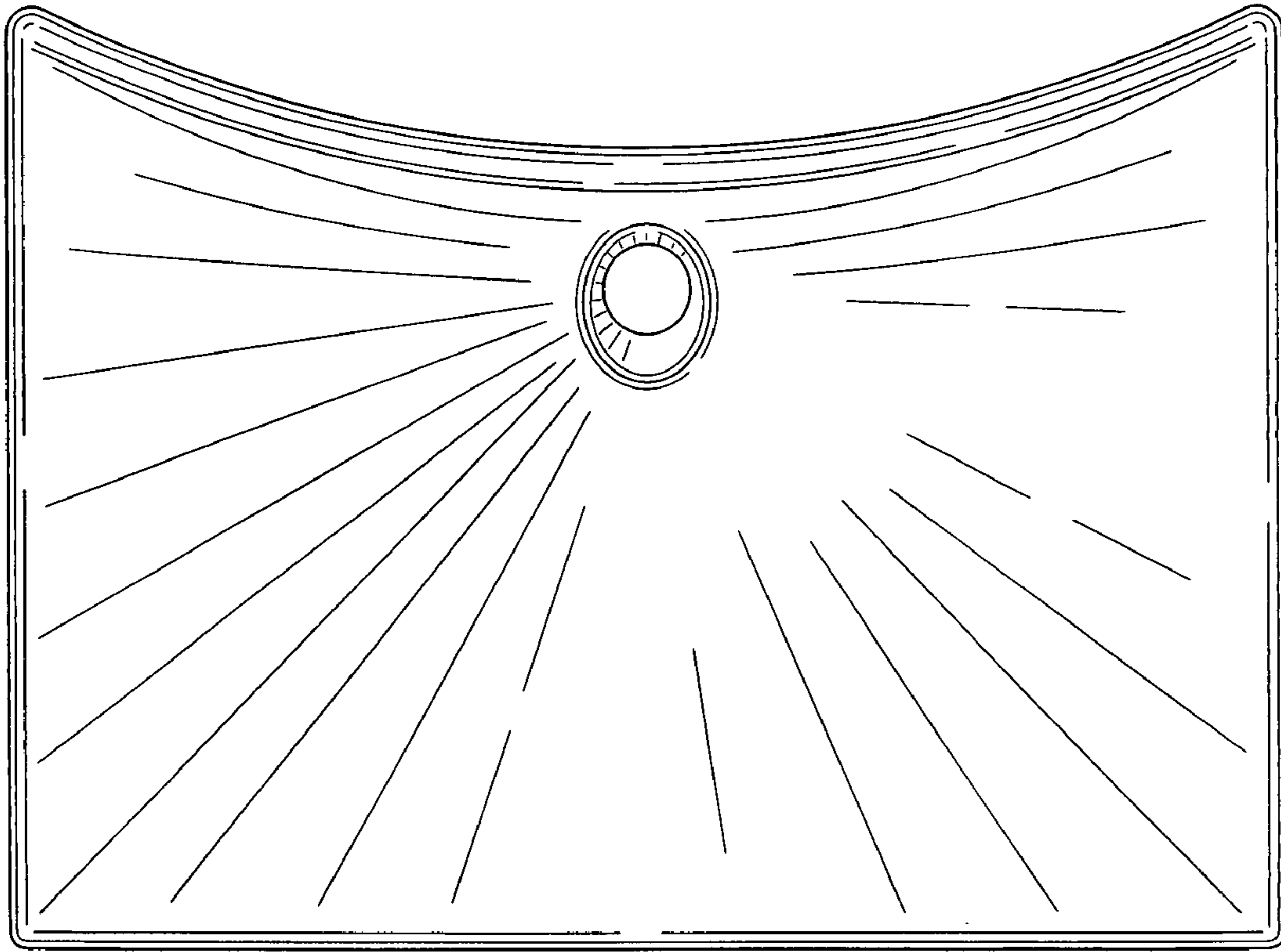


FIG. 2

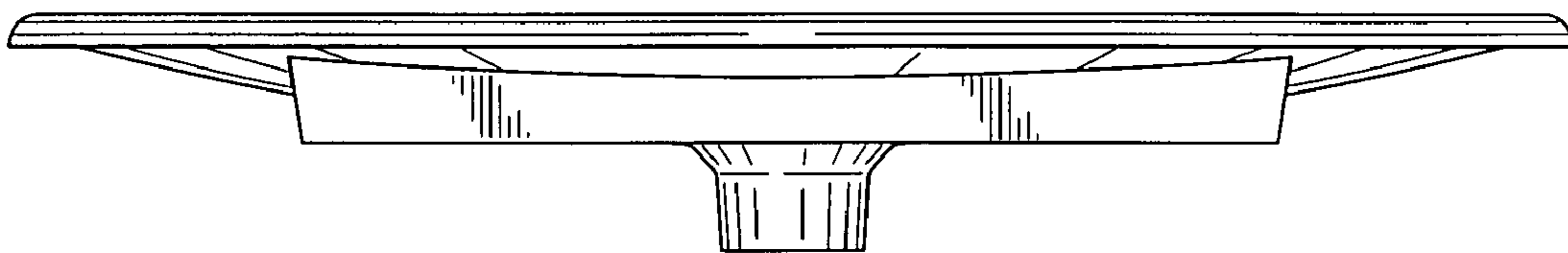


FIG. 3

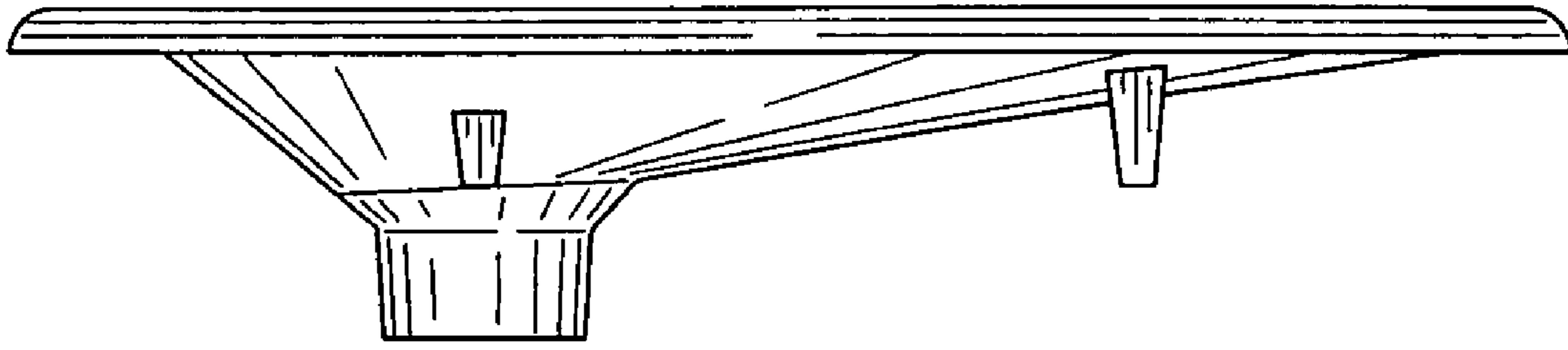


FIG. 4

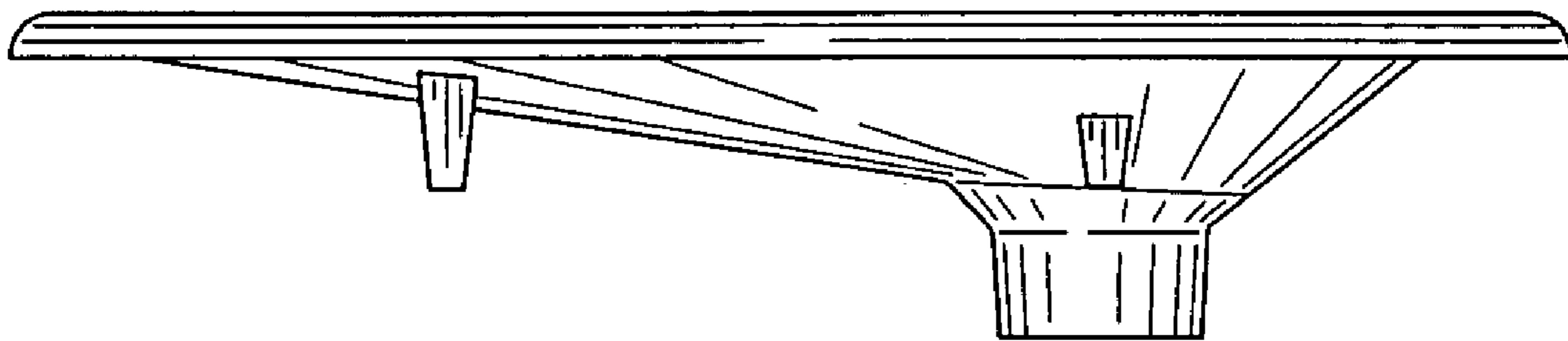


FIG. 5

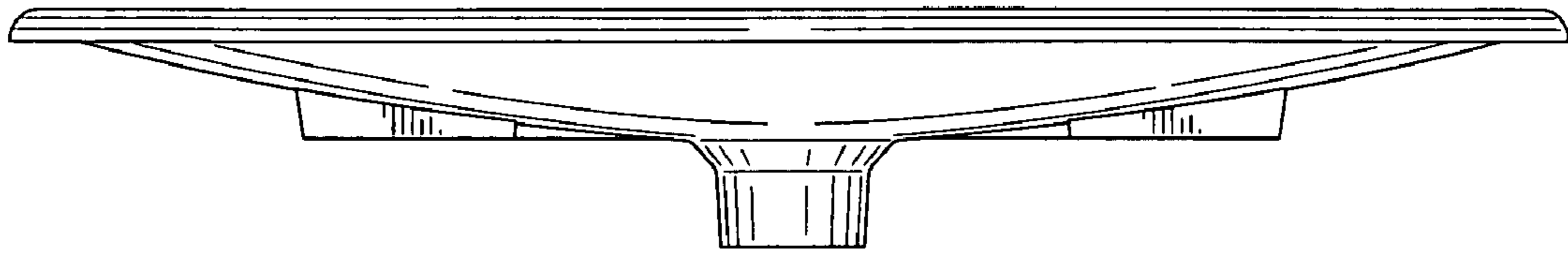


FIG. 6

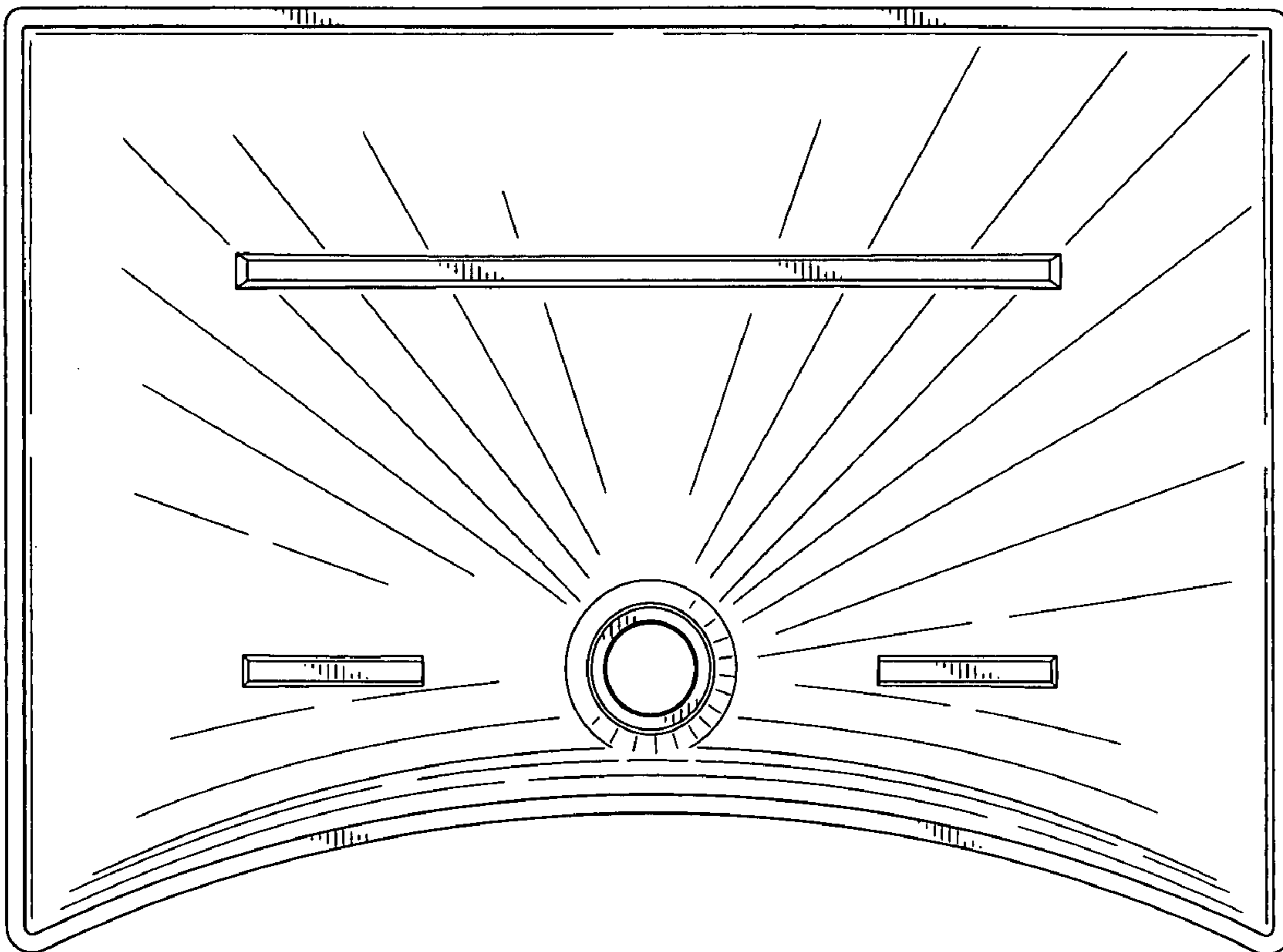


FIG. 7