

US00D563532S

(12) **United States Design Patent**  
**Chan**

(10) **Patent No.:** **US D563,532 S**  
(45) **Date of Patent:** **\*\* Mar. 4, 2008**

(54) **SINK**

(76) Inventor: **Eddie Man-Ying Chan**, Unit 901,  
Peninsula Square, No. 18 Sung On  
Street, Hunghom, Kowloon, Hong Kong  
(CN)

(\*\*) Term: **14 Years**

(21) Appl. No.: **29/273,838**

(22) Filed: **Mar. 14, 2007**

(51) **LOC (8) Cl.** ..... **23-02**

(52) **U.S. Cl.** ..... **D23/287**

(58) **Field of Classification Search** ..... D23/271-274,  
D23/284-293.1, 303, 308; 4/619, 624, 661  
See application file for complete search history.

(56) **References Cited**

**U.S. PATENT DOCUMENTS**

D461,880 S \* 8/2002 Underbrink ..... D23/286  
D550,336 S \* 9/2007 Hurt ..... D23/287

\* cited by examiner

*Primary Examiner*—Robert A. Delehanty  
(74) *Attorney, Agent, or Firm*—Alix, Yale & Ristas, LLP

(57) **CLAIM**

The ornamental design for a sink, as shown and described.

**DESCRIPTION**

FIG. 1 is a front elevational view of a sink showing my new design;

FIG. 2 is a rear elevational view thereof;

FIG. 3 is a top plan view thereof; and

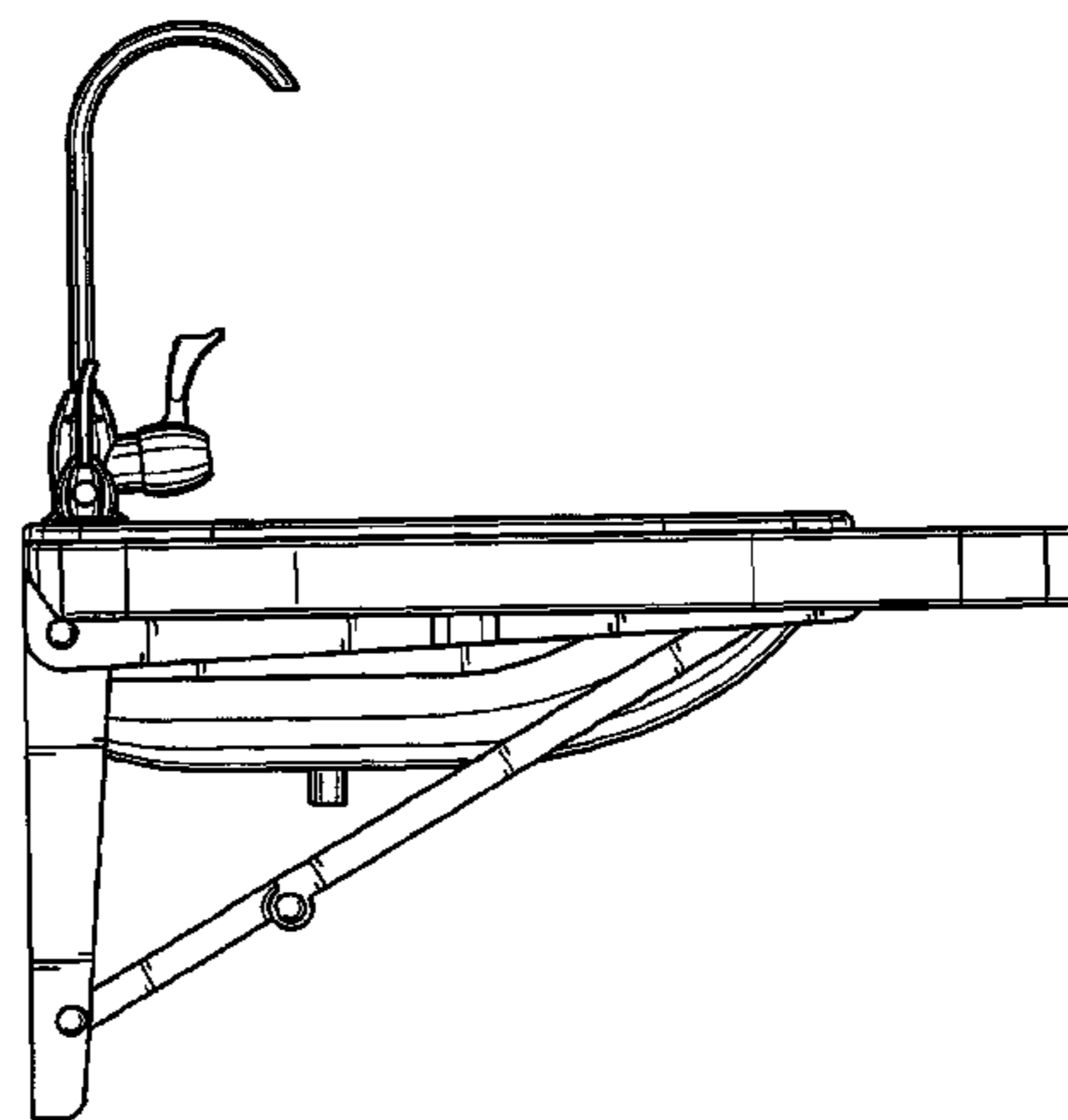
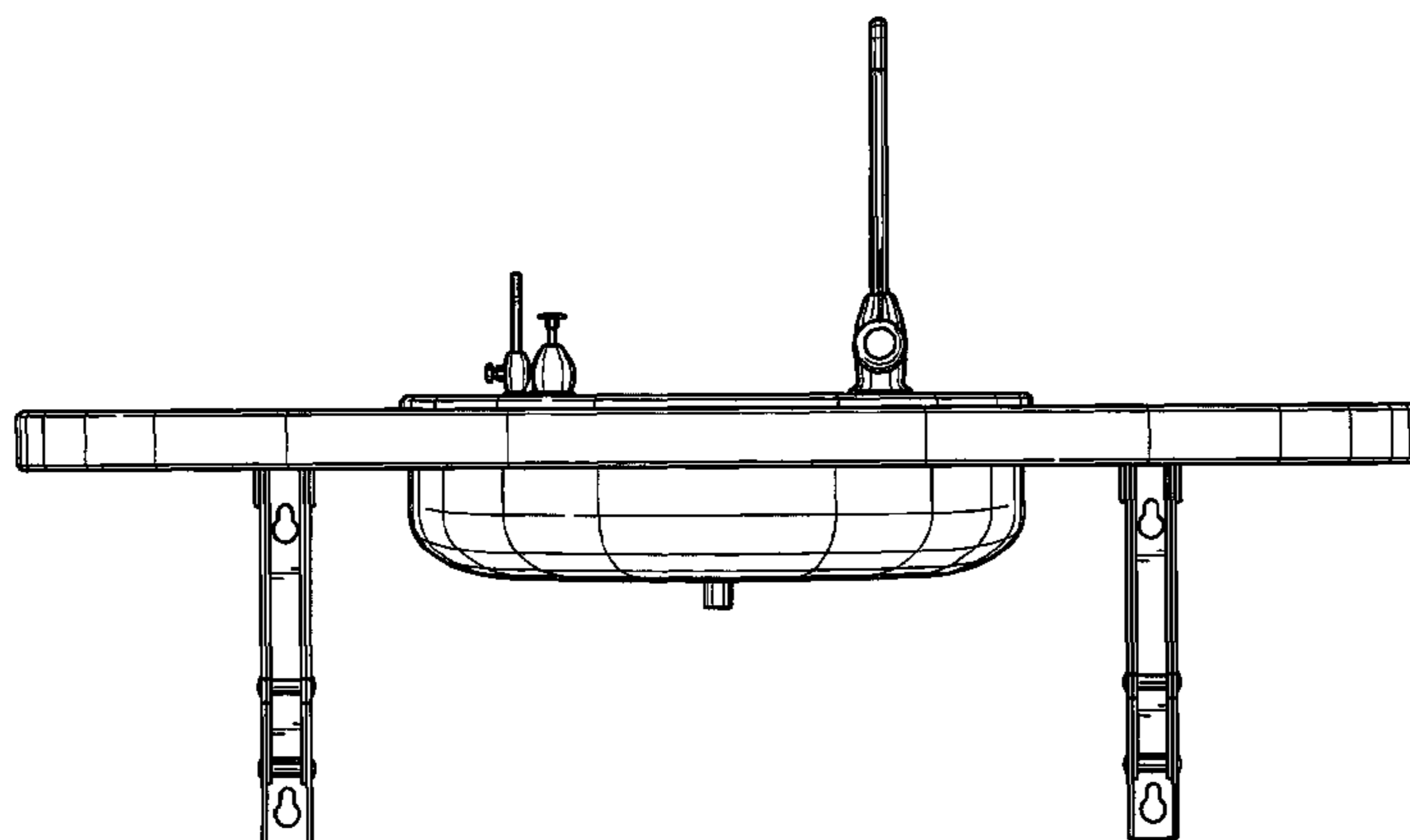
FIG. 4 is a bottom plan view thereof.

FIG. 5 is a left side elevational view thereof;

FIG. 6 is a right side elevational view thereof; and,

FIG. 7 is a right side elevational view with parts in alternative position thereof.

**1 Claim, 7 Drawing Sheets**



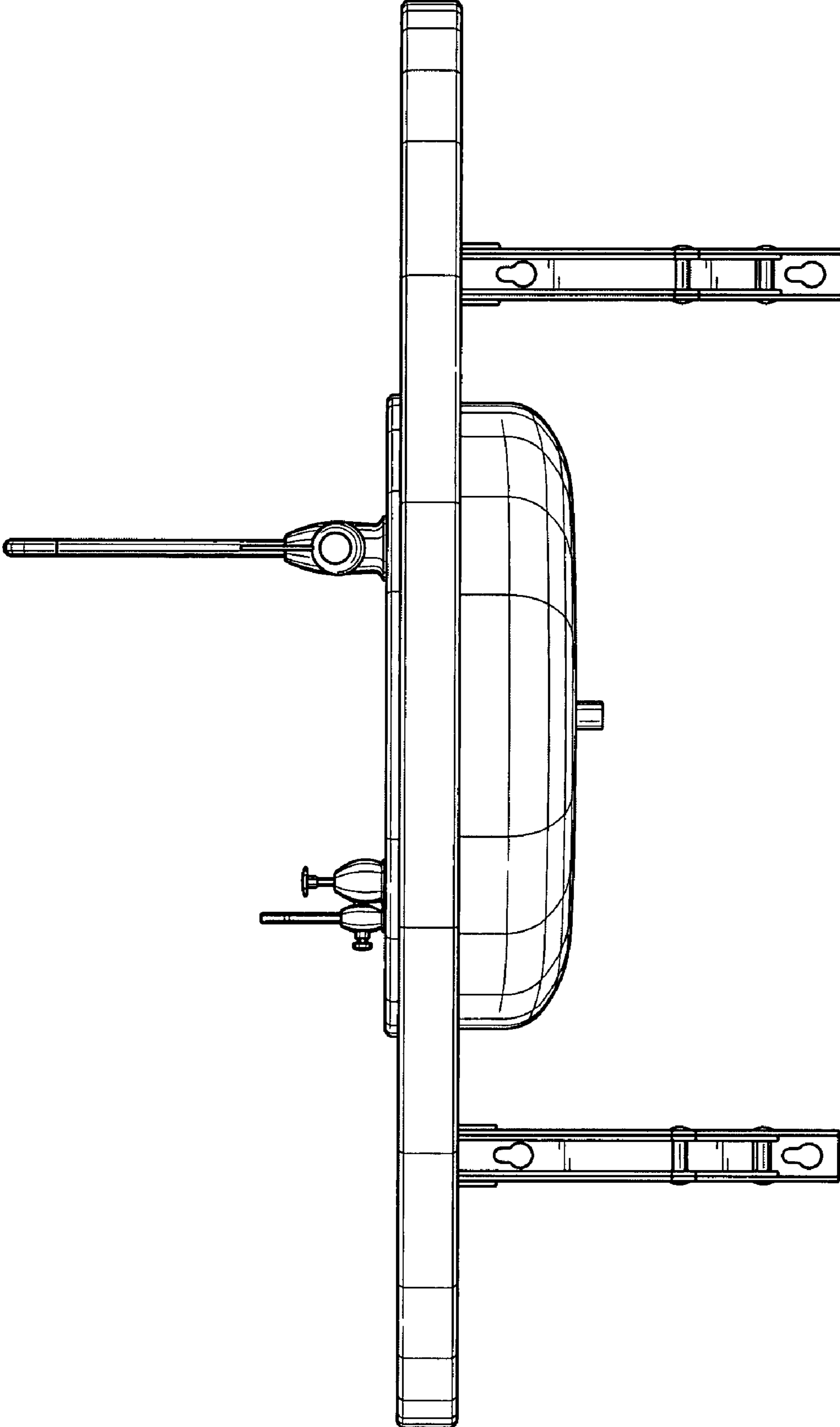


FIG. 1

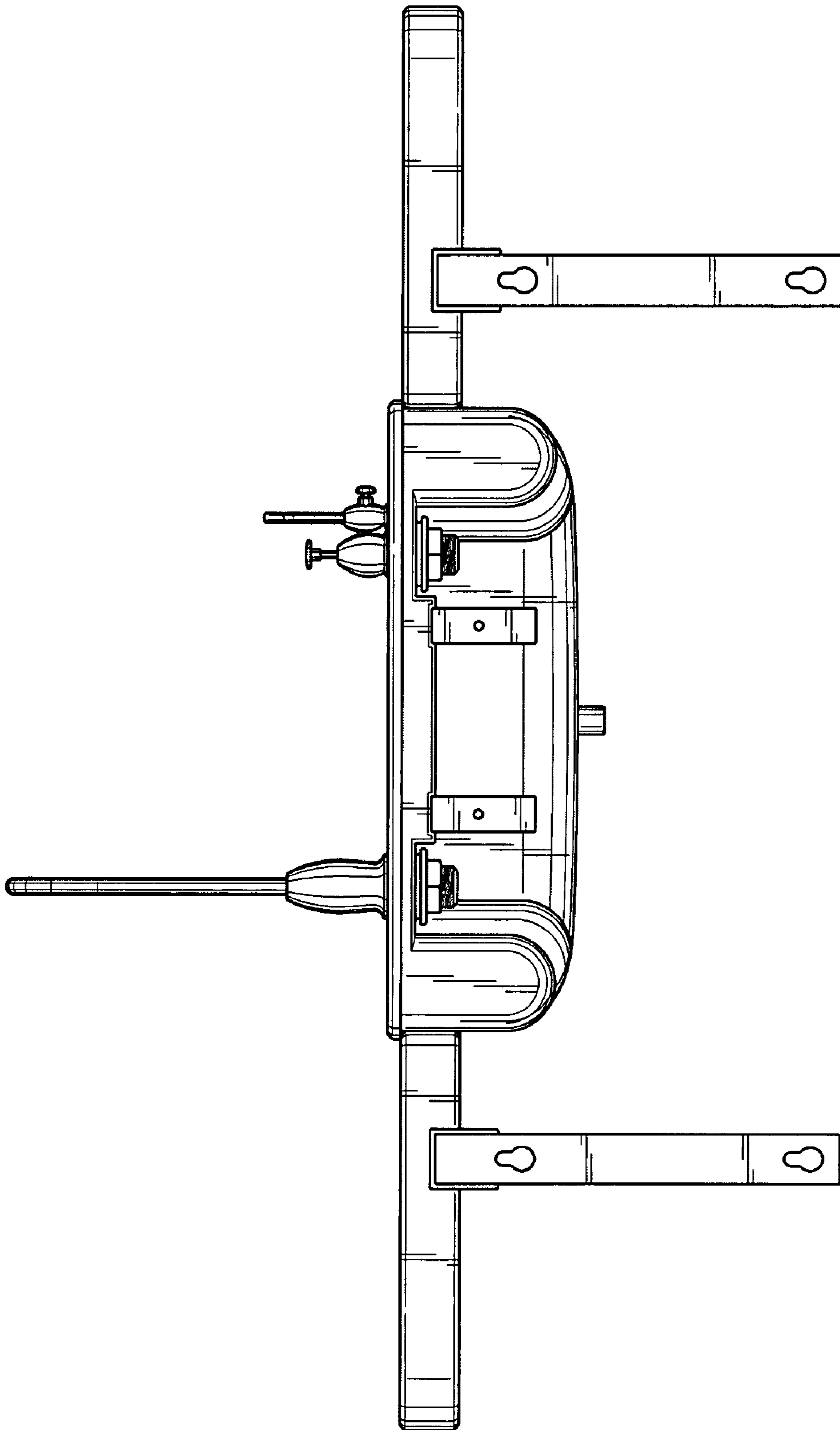


FIG. 2

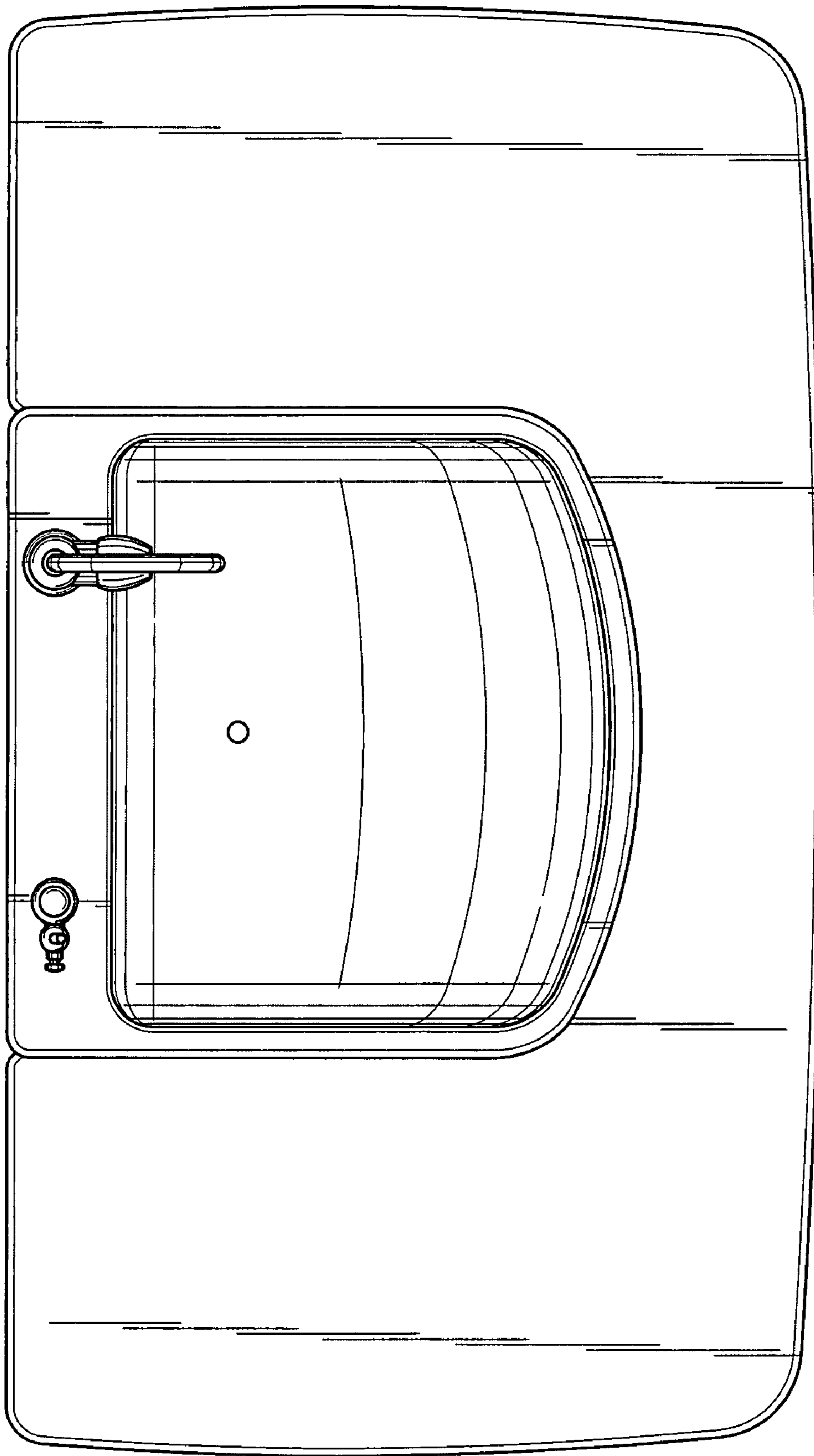


FIG. 3

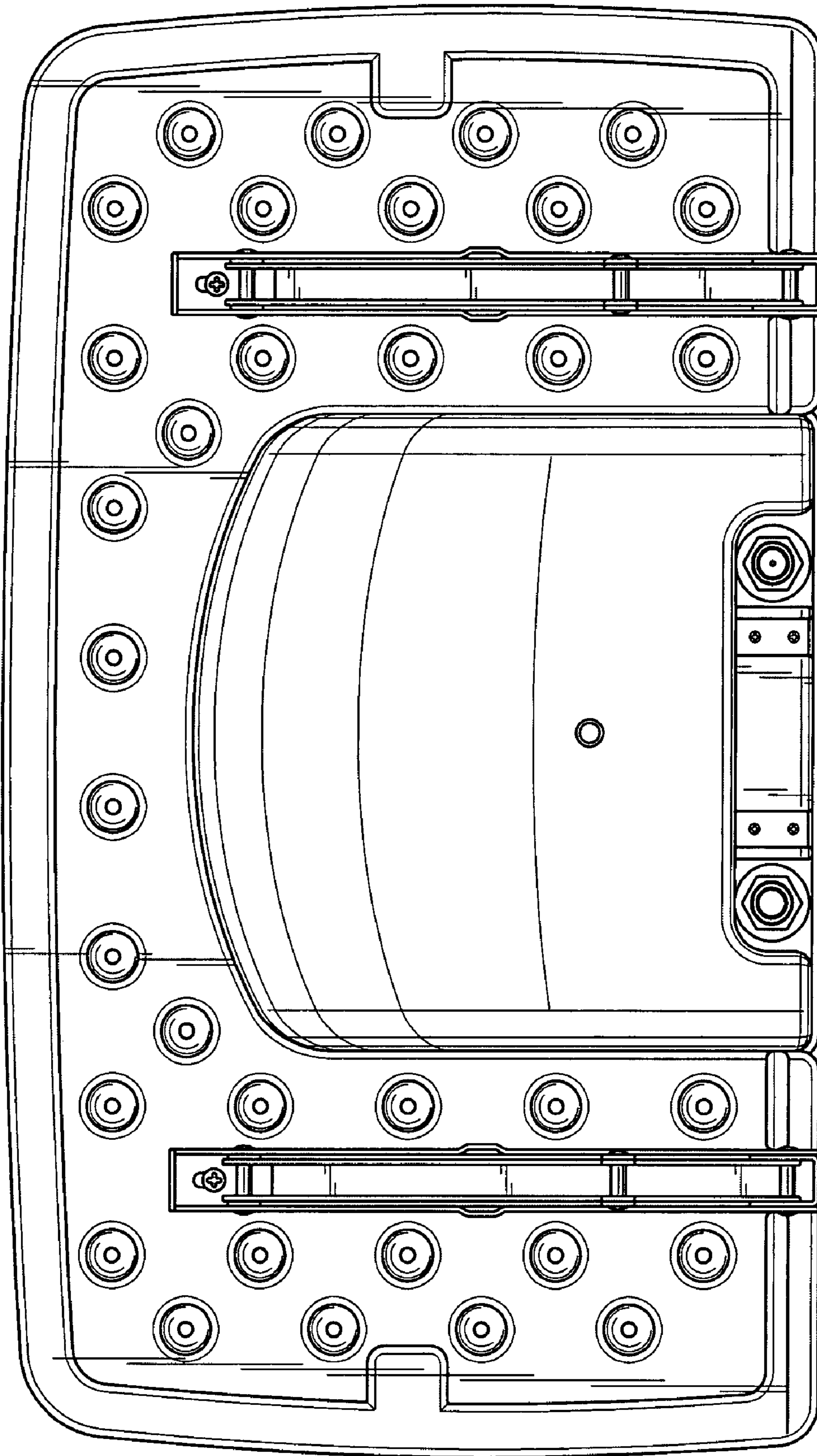


FIG. 4

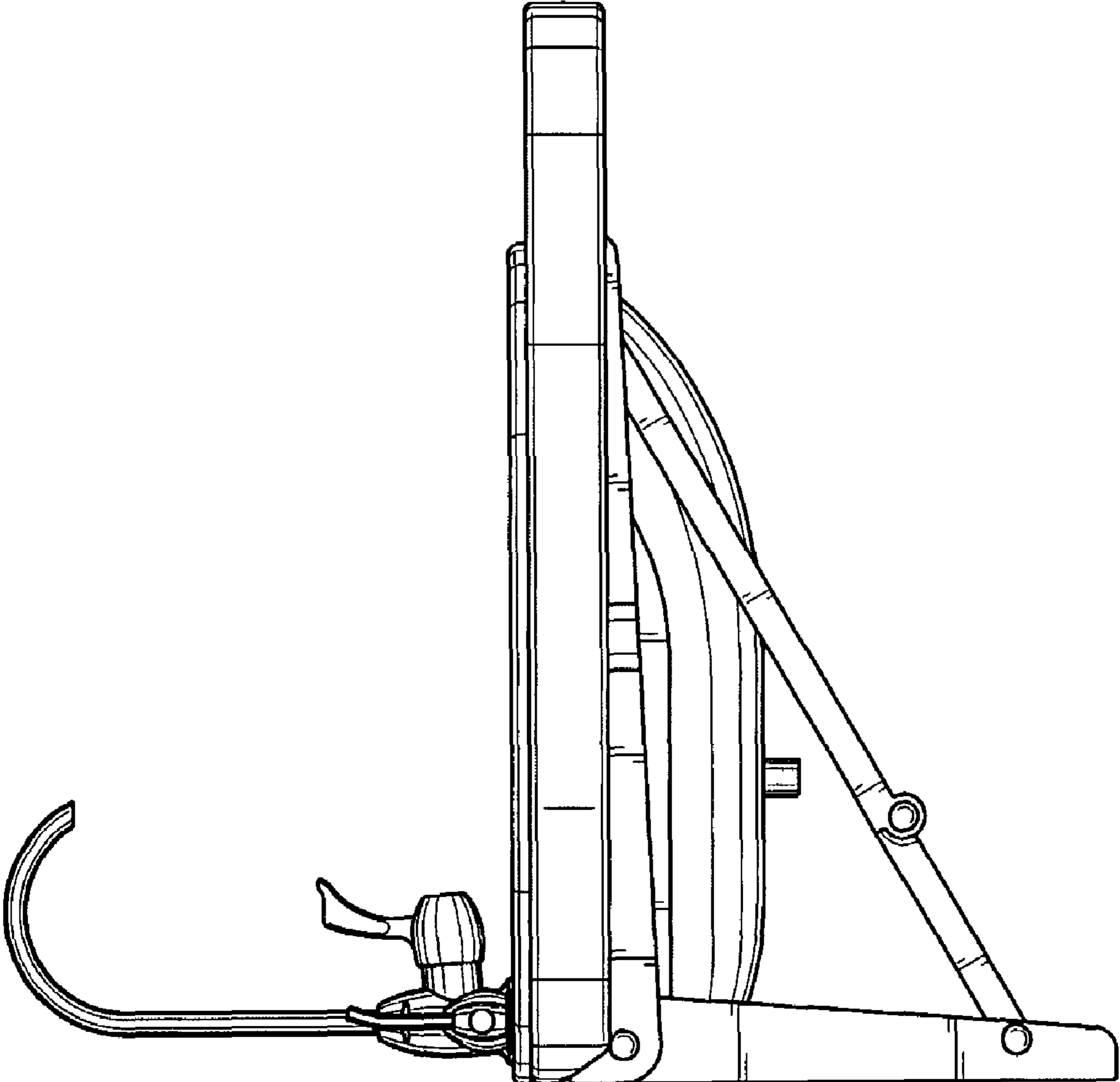


FIG. 5

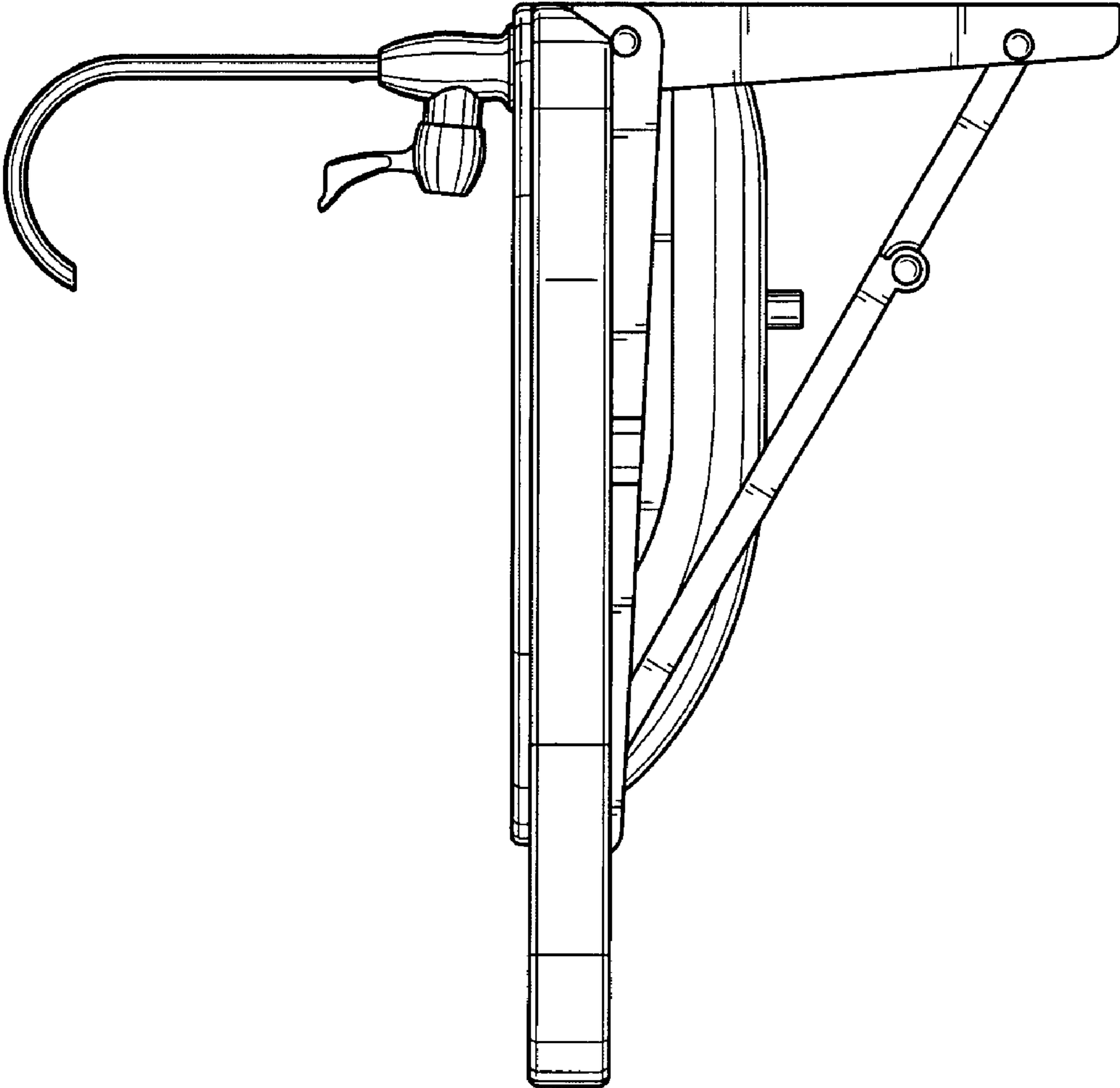


FIG. 6



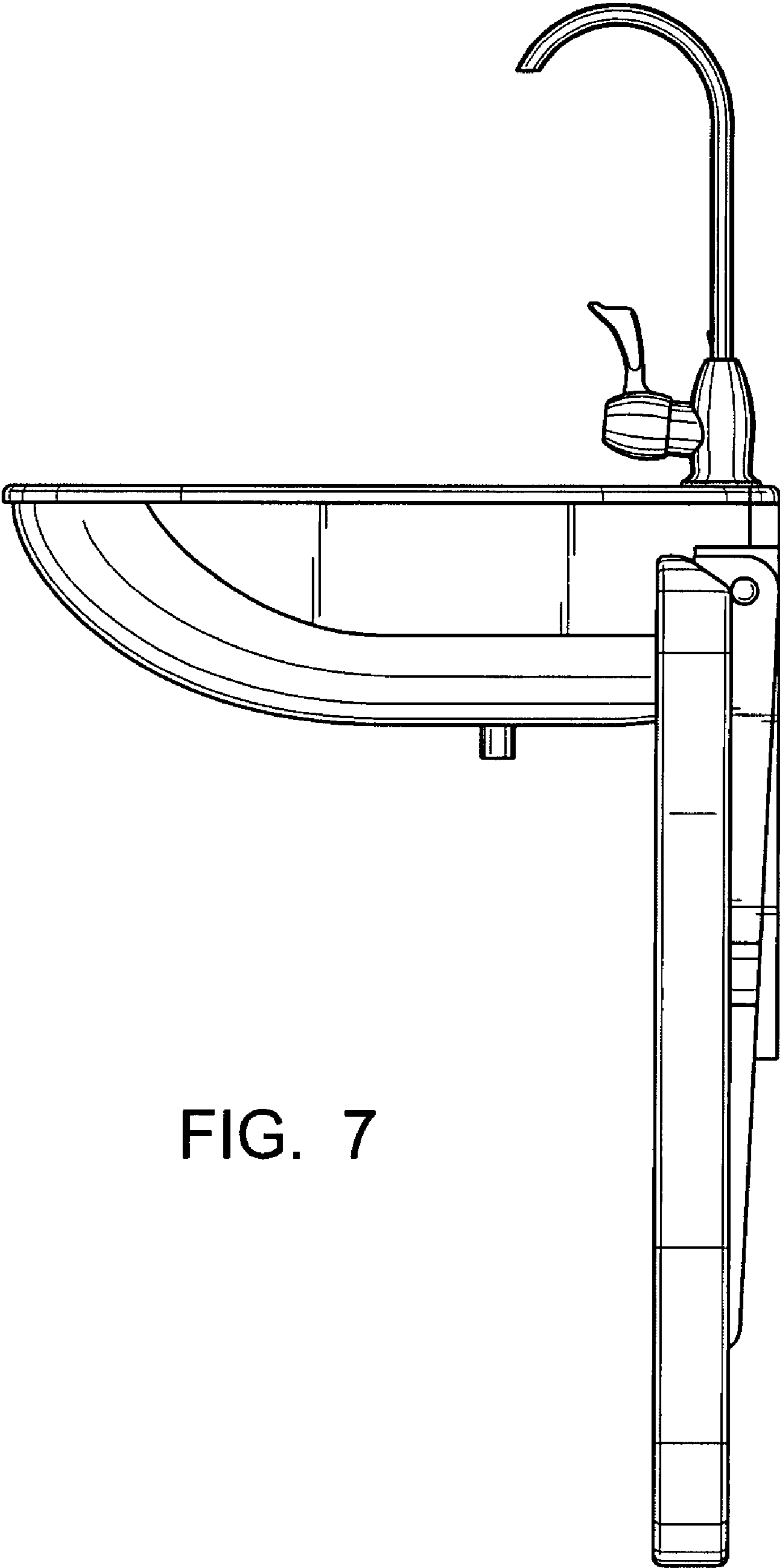


FIG. 7