



US00D563531S

(12) **United States Design Patent**  
**Katsura**

(10) **Patent No.:** **US D563,531 S**  
(45) **Date of Patent:** **\*\* Mar. 4, 2008**

(54) **FLUID GASKET**

(75) Inventor: **Masayoshi Katsura**, Sanda (JP)

(73) Assignee: **Nippon Pillar Packing Co., Ltd.**,  
Osaka (JP)

(\*\*) Term: **14 Years**

(21) Appl. No.: **29/241,762**

(22) Filed: **Oct. 31, 2005**

(30) **Foreign Application Priority Data**

May 2, 2005	(JP)	.....	2005-134238
Sep. 27, 2005	(JP)	.....	2005-279357
Sep. 28, 2005	(JP)	.....	2005-027980

(51) **LOC (8) Cl.** ..... **23-01**

(52) **U.S. Cl.** ..... **D23/269**

(58) **Field of Classification Search** ..... D23/262,  
D23/269, 393; 277/602, 608, 625, 626, 910;  
285/105, 232, 337, 370, 95

See application file for complete search history.

(56) **References Cited**

**U.S. PATENT DOCUMENTS**

2,075,947	A *	4/1937	Kennedy	.....	277/626
2,808,275	A *	10/1957	Sherman	.....	285/104
2,899,217	A *	8/1959	Ashbrook	.....	285/105
5,628,517	A *	5/1997	Jia	.....	277/314
6,540,234	B1 *	4/2003	Atkinson et al.	.....	277/612
6,869,080	B2 *	3/2005	Janoff et al.	.....	277/603
6,905,125	B2 *	6/2005	Shibata et al.	.....	277/626

7,107,662	B1 *	9/2006	Levario	.....	29/505
2001/0045709	A1 *	11/2001	Stobbart	.....	277/602
2004/0145123	A1 *	7/2004	Hystad	.....	277/608
2004/0232626	A1 *	11/2004	Sakata et al.	.....	277/602
2006/0151961	A1 *	7/2006	Giertz et al.	.....	277/602

\* cited by examiner

*Primary Examiner*—Ian Simmons

*Assistant Examiner*—Eric L Goodman

(74) *Attorney, Agent, or Firm*—William L. Androlia; H. Henry Koda

(57) **CLAIM**

The ornamental design for a fluid gasket, as shown and described.

**DESCRIPTION**

FIG. 1 is a perspective view taken from the front and top of the fluid gasket showing my new design;

FIG. 2 is a front elevational view of the fluid gasket, the rear elevational view being a mirror image of the front elevational view;

FIG. 3 is a left side elevational view thereof, the right side elevational view being a mirror image of the left side elevational view;

FIG. 4 is a top plan view thereof, the bottom plan view being a mirror image of the top plan view; and,

FIG. 5 is an enlarged cross-sectional view taken along the line 5—5 in FIG. 2.

**1 Claim, 3 Drawing Sheets**

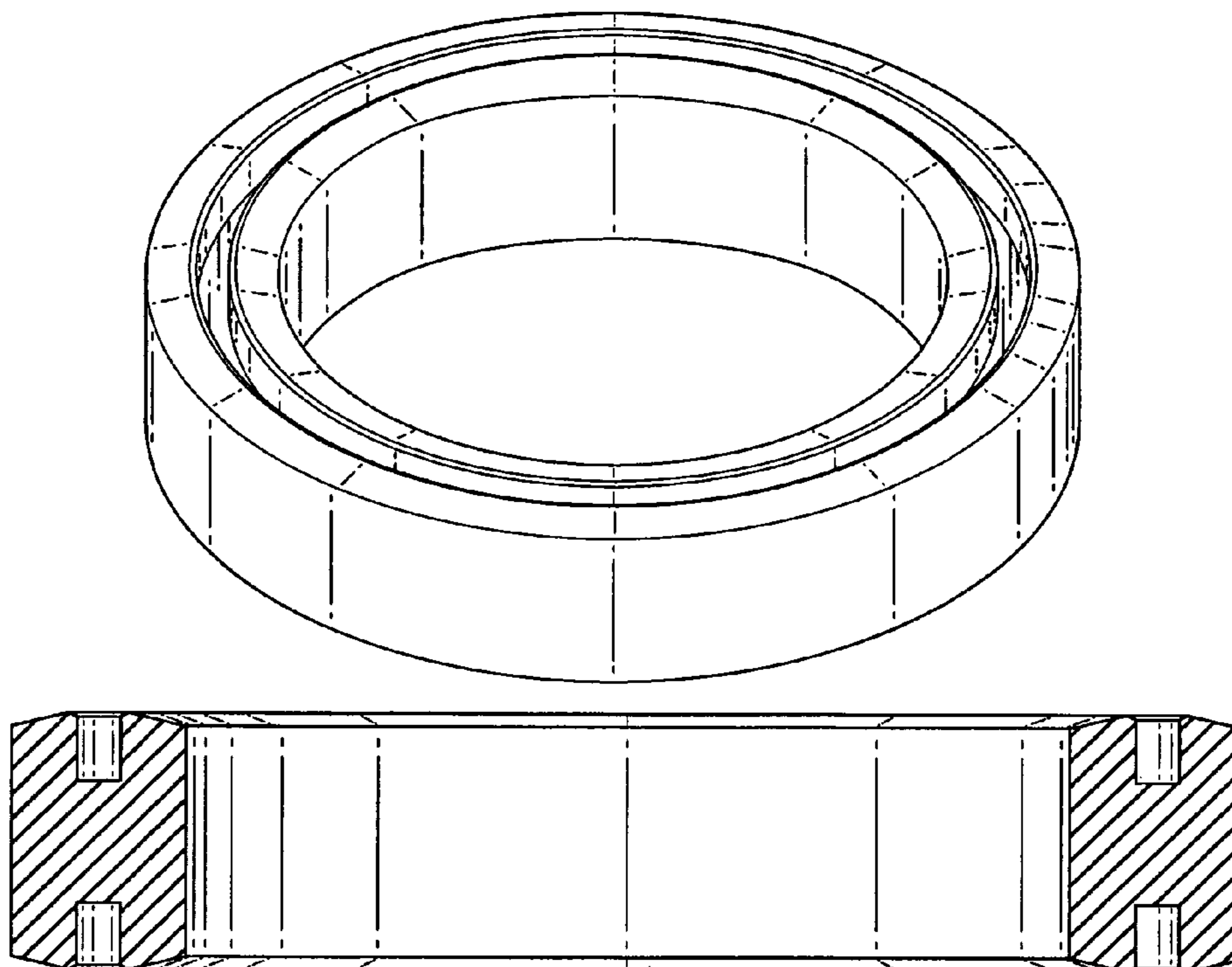


Fig. 1

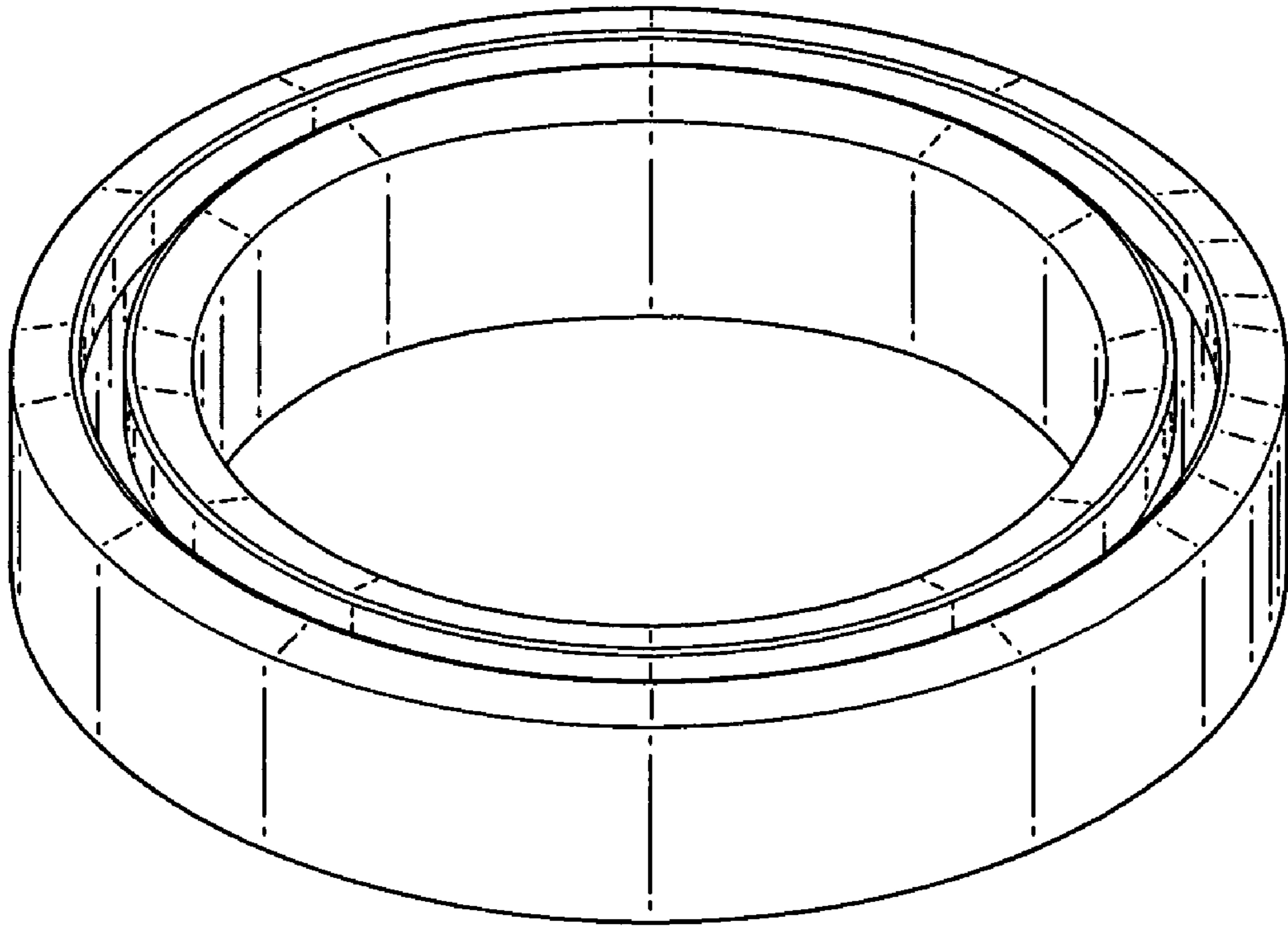


Fig. 2

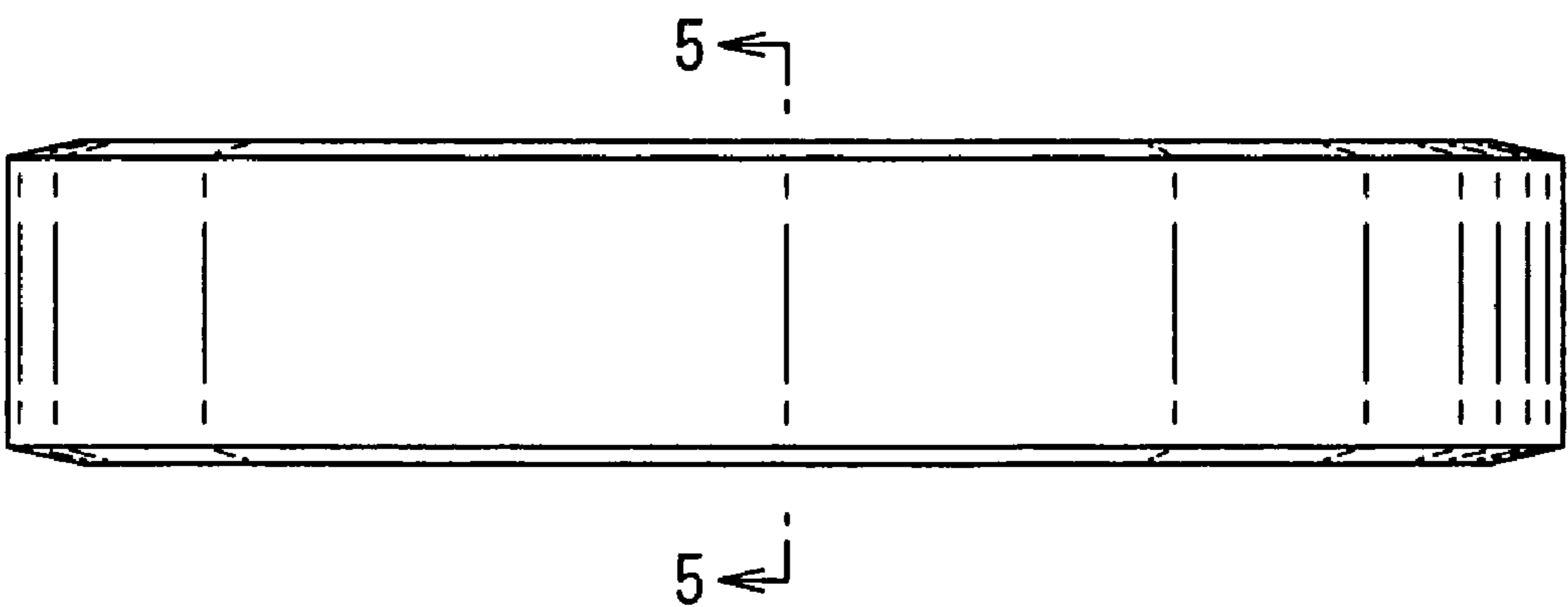


Fig. 3

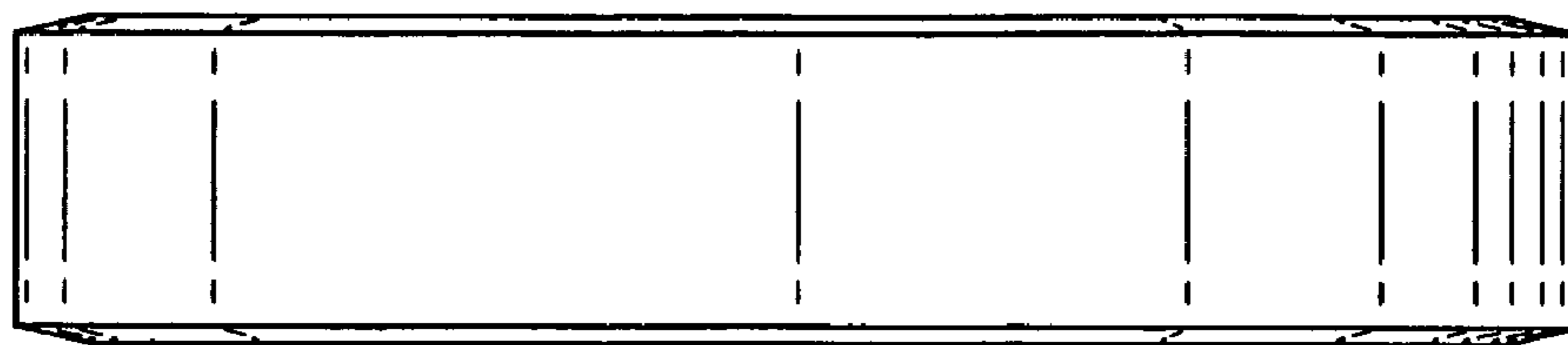


Fig. 4

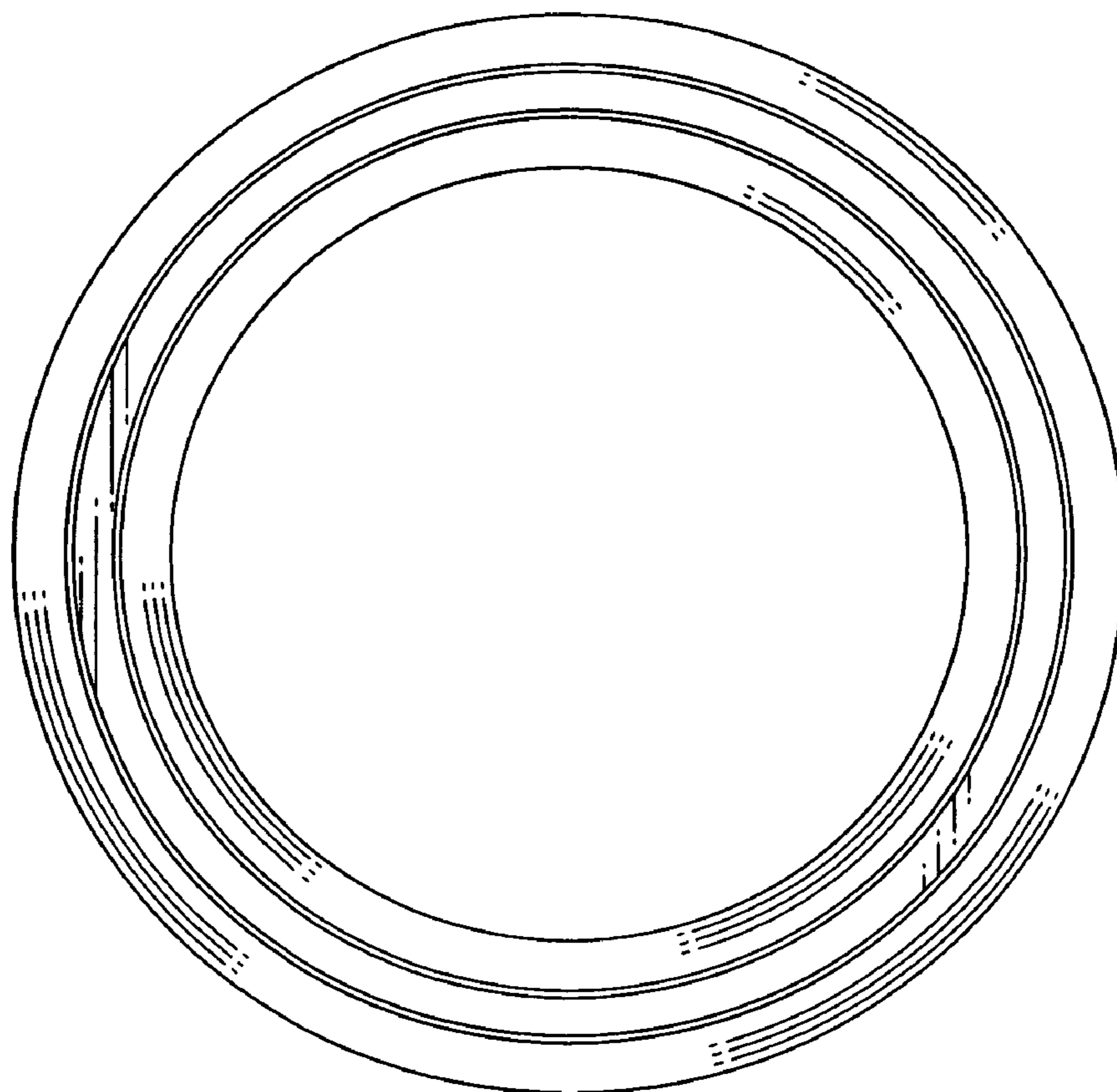


Fig. 5

