



US00D563530S

(12) **United States Design Patent**
Moris

(10) **Patent No.:** **US D563,530 S**

(45) **Date of Patent:** **** Mar. 4, 2008**

(54) **CONNECTOR**

(75) Inventor: **Damien Moris**, Albertville (FR)

(73) Assignee: **MDC S.A.R.L.**, Frontenex (FR)

(**) Term: **14 Years**

(21) Appl. No.: **29/158,558**

(22) Filed: **Apr. 8, 2002**

(30) **Foreign Application Priority Data**

Oct. 8, 2001 (FR) 01 5848

(51) **LOC (8) Cl.** **23-01**

(52) **U.S. Cl.** **D23/264**

(58) **Field of Classification Search** D23/259–264,
D23/266; D24/110, 110.5, 112, 129; 138/109,
138/114–118, 121, 125; 285/223–224, 226,
285/232, 235, 249; 279/43.1, 46.3, 4.07
See application file for complete search history.

(56) **References Cited**

U.S. PATENT DOCUMENTS

327,877	A	*	10/1885	Hodges	285/184
1,605,507	A	*	11/1926	Burke	285/98
2,486,451	A	*	11/1949	Warren	285/98
3,776,578	A	*	12/1973	Jessup et al.	285/94
D381,065	S	*	7/1997	Chretien	D23/213
D392,372	S	*	3/1998	Saito et al.	D23/264
D429,627	S	*	8/2000	Gradwell	D8/382
D434,668	S	*	12/2000	Chimetto et al.	D9/541

D451,546	S	*	12/2001	Guercio	D19/43
D466,607	S	*	12/2002	Cise et al.	D24/110
D468,016	S	*	12/2002	Mosler et al.	D24/129

* cited by examiner

Primary Examiner—Ian Simmons

Assistant Examiner—Eric L Goodman

(74) *Attorney, Agent, or Firm*—Young & Thompson

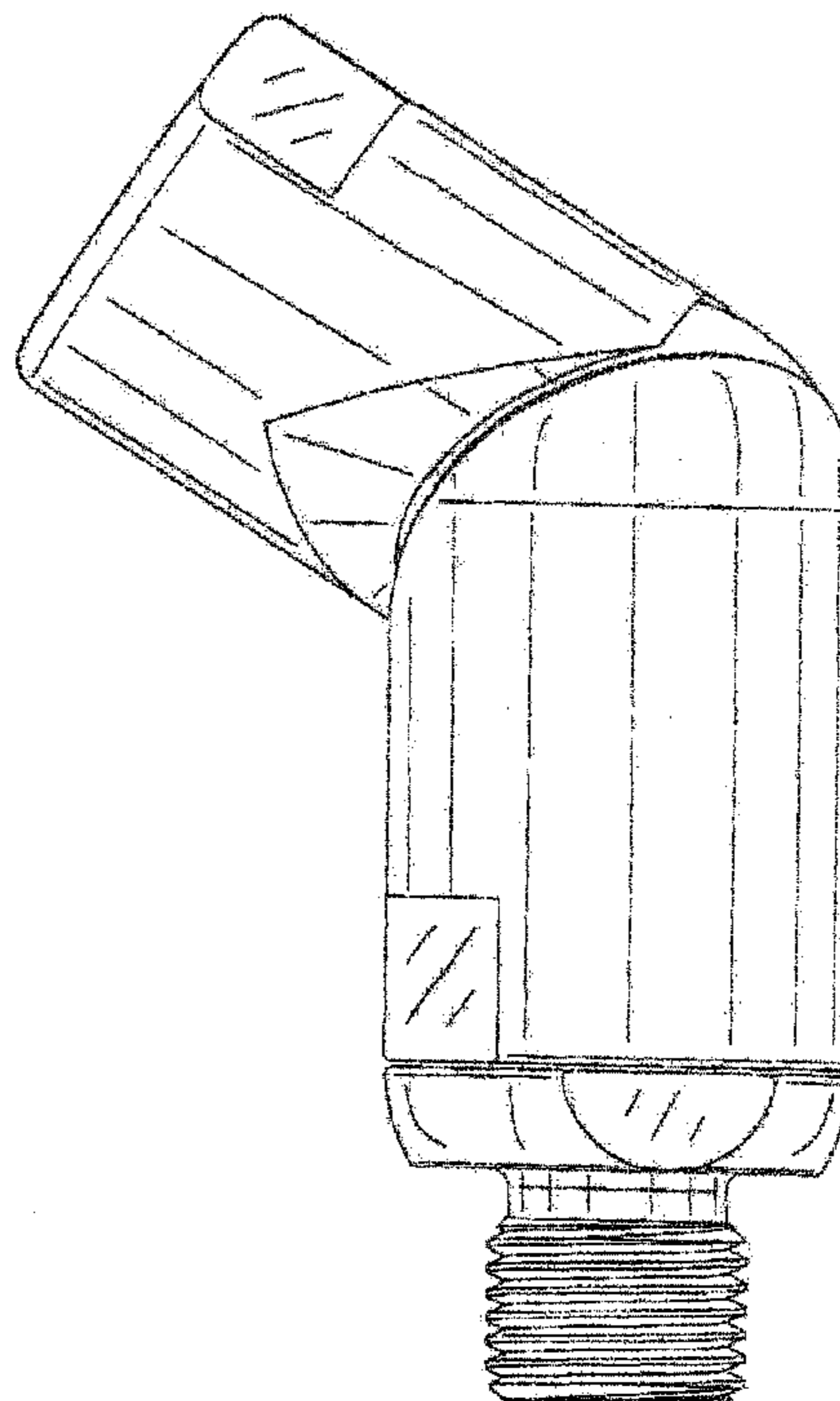
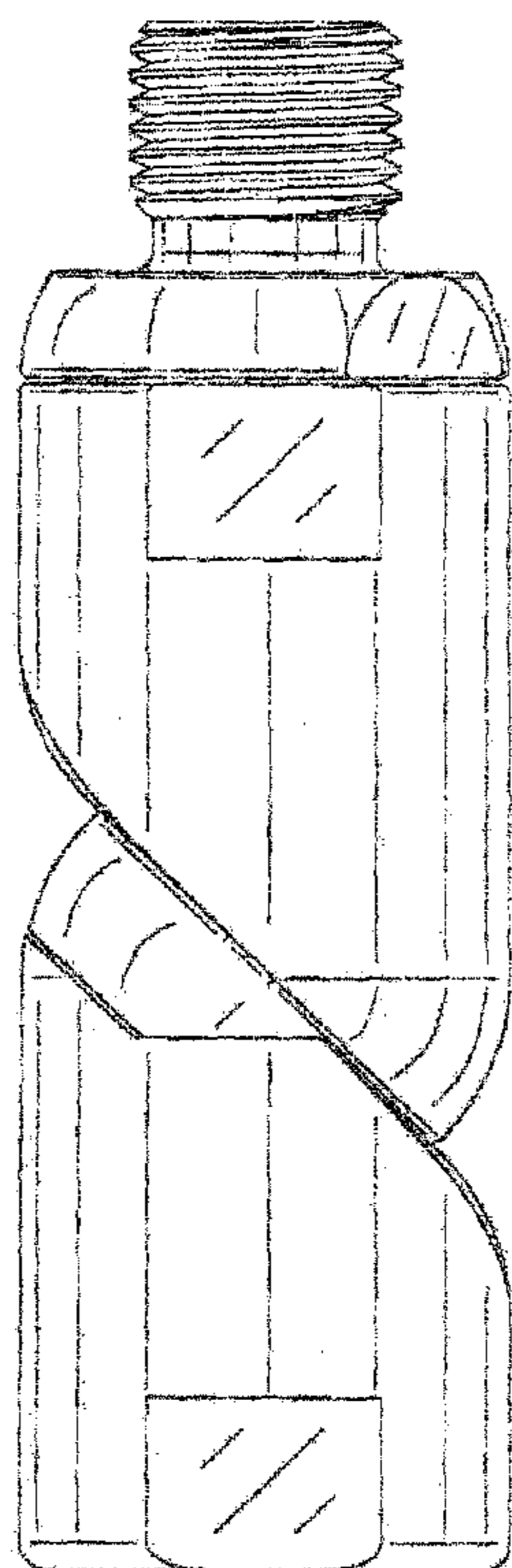
(57) **CLAIM**

The ornamental design for an connector, as shown and described.

DESCRIPTION

FIG. 1 is a side elevational view of a connector showing my new design, with the opposite side being identical thereto; FIG. 2 is a left side elevational view thereof; FIG. 3 is a right side elevational view thereof; FIG. 4 is a top plan view thereof; FIG. 5 is a bottom plan view thereof; and FIG. 6 is a side elevational view thereof, shown in a slightly rotated position; FIG. 7 is a rear elevational view thereof; FIG. 8 is a front elevational view thereof; FIG. 9 is a top plan view thereof; and, FIG. 10 is a bottom plan view thereof.

1 Claim, 8 Drawing Sheets



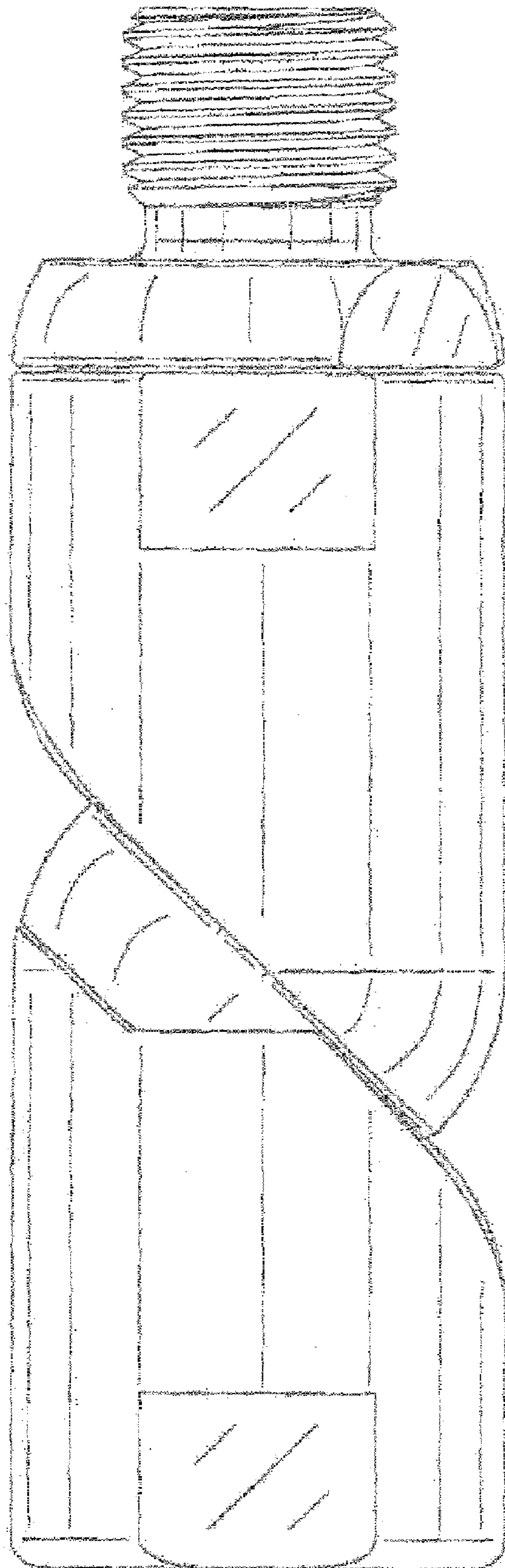


FIG. 1

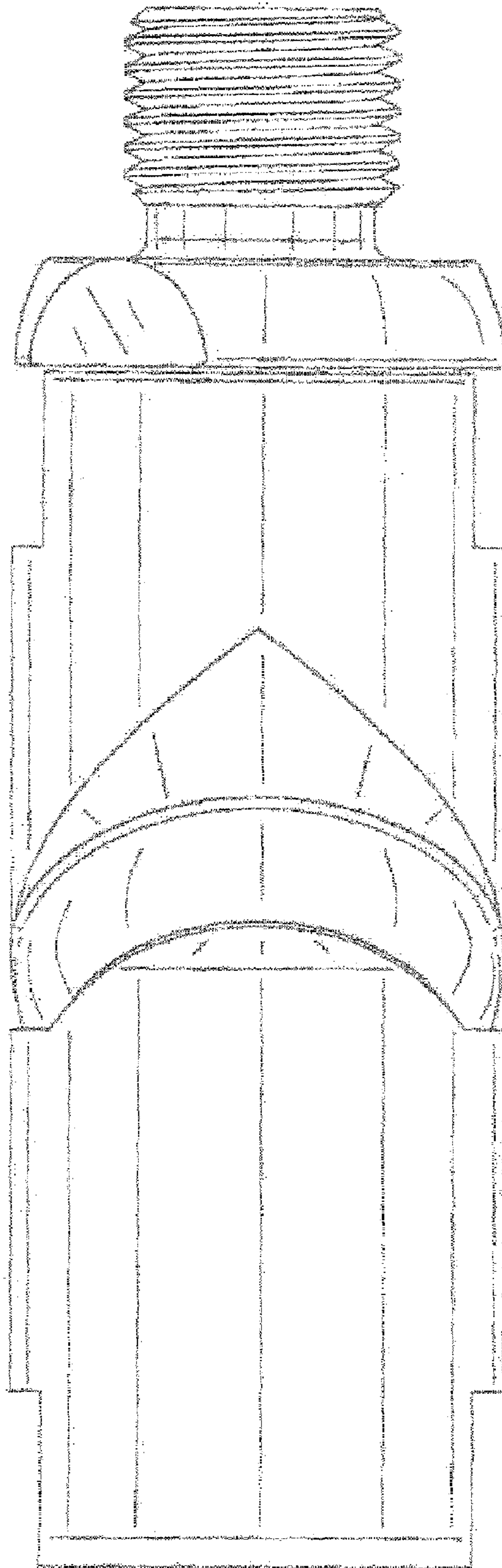


FIG. 2

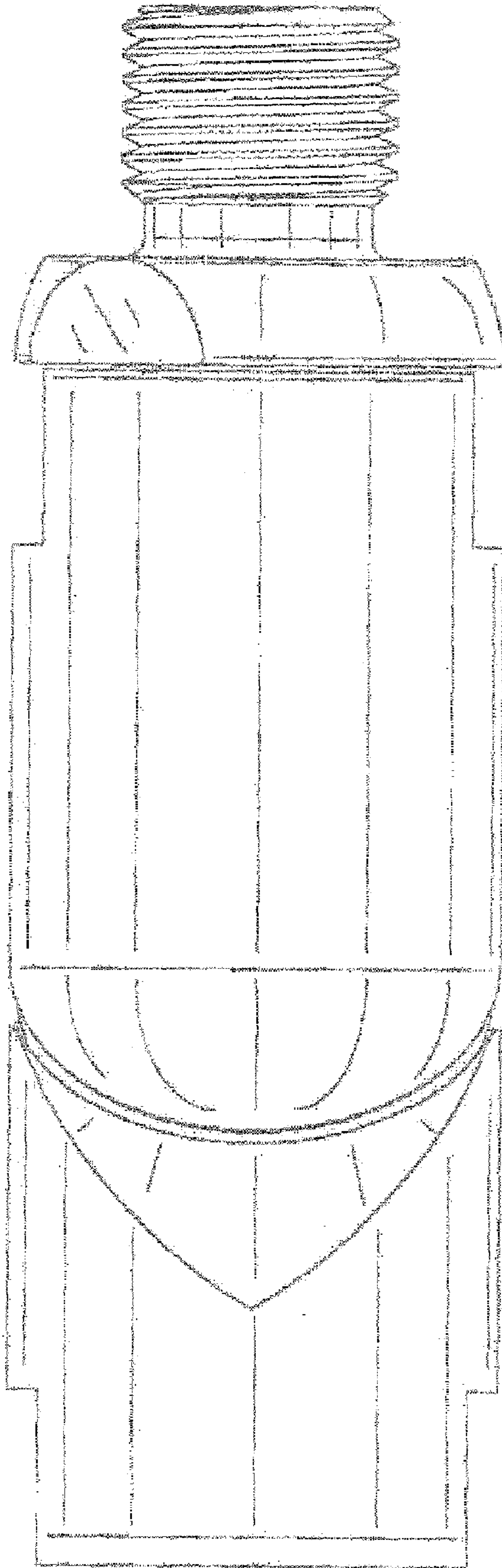


FIG. 1

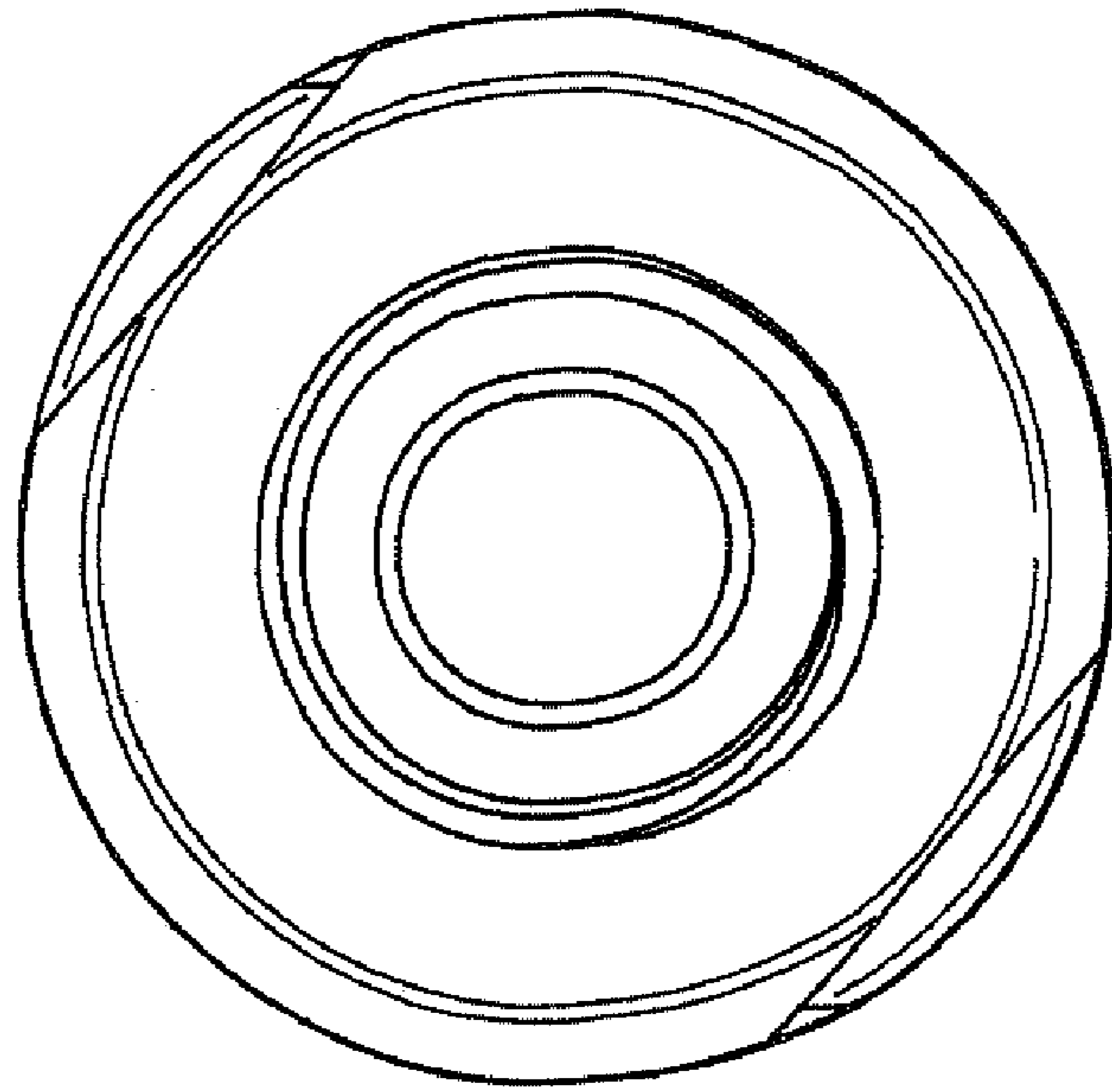


FIG. 4

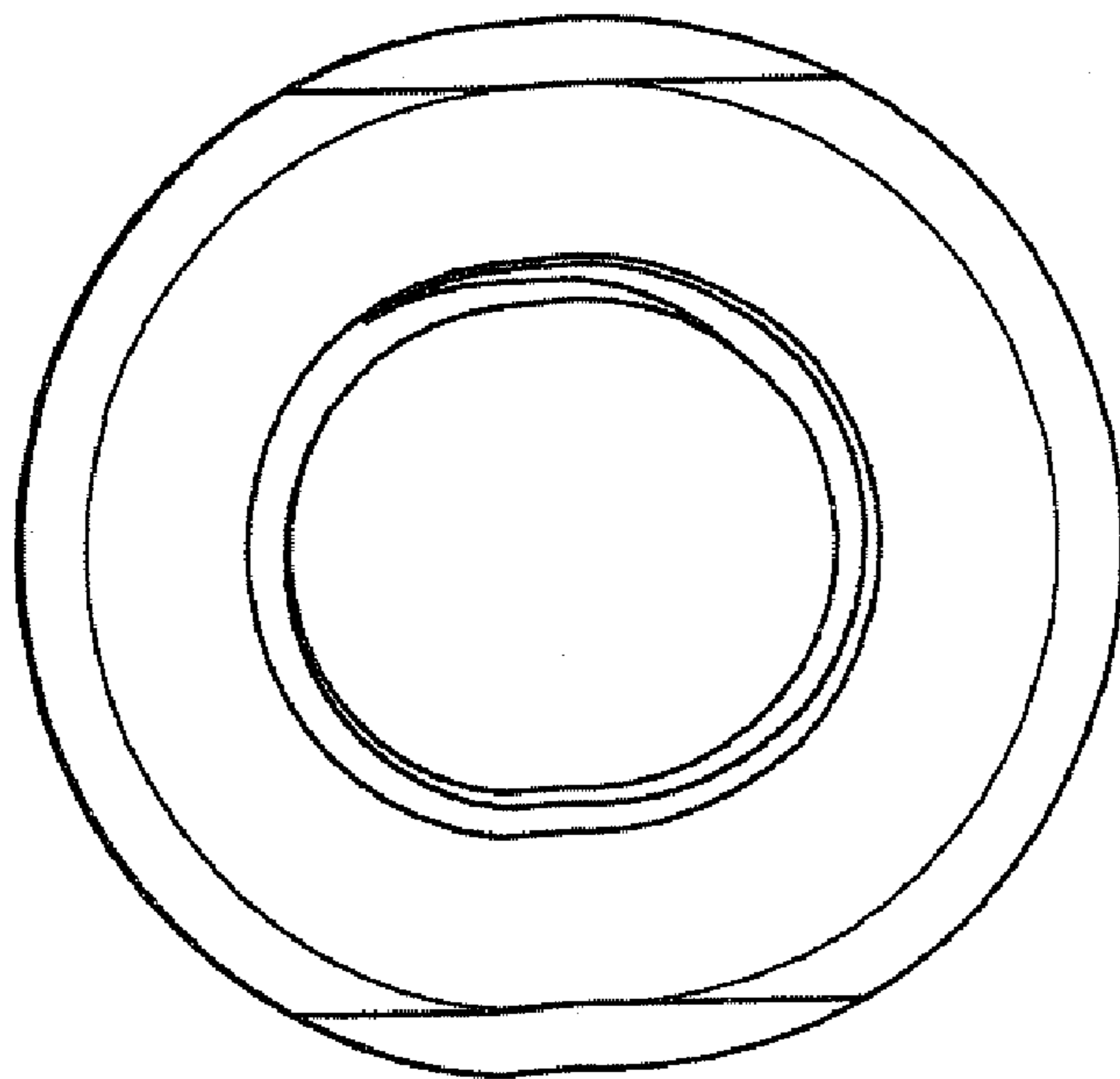


FIG. 5

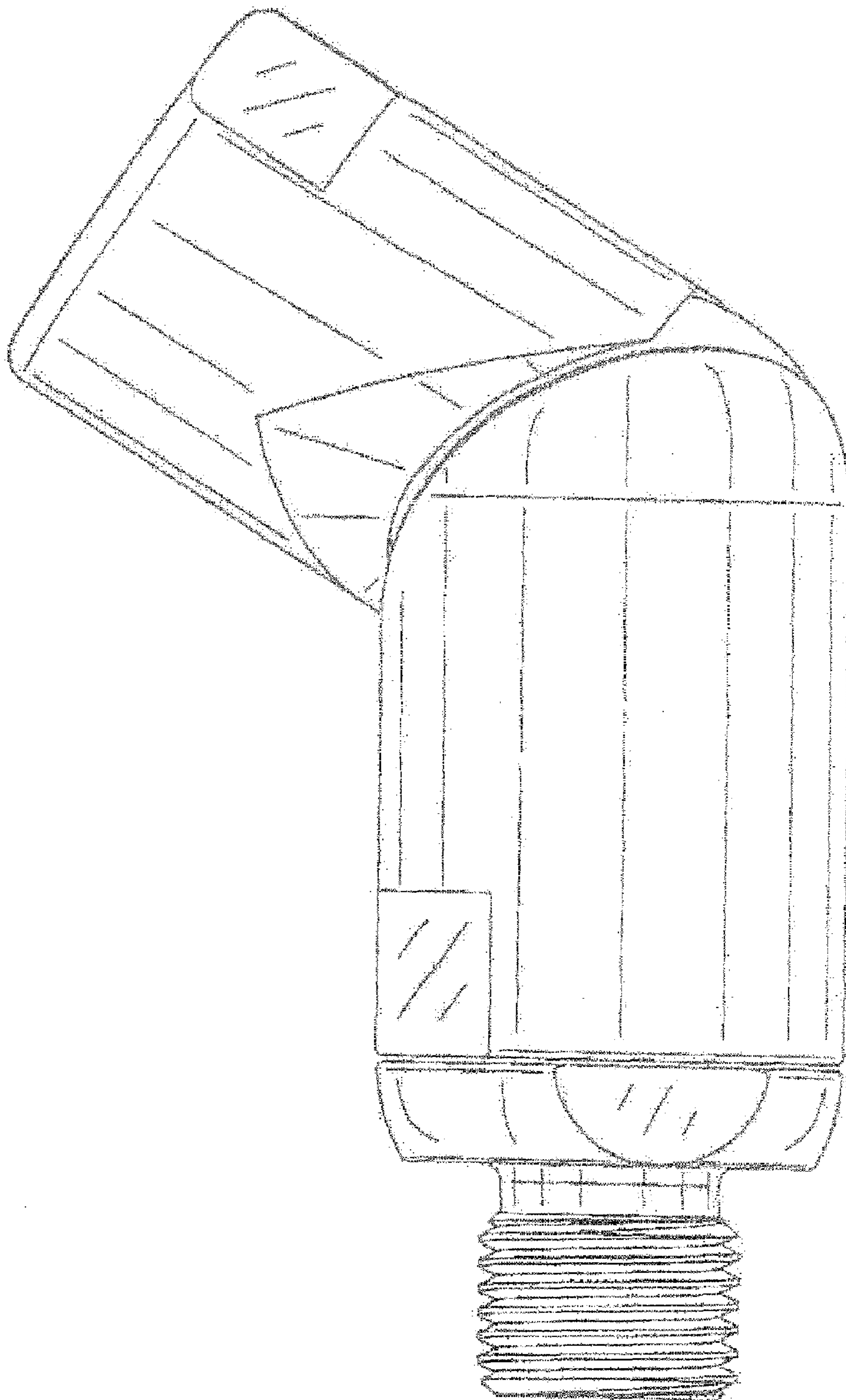


FIG. 6

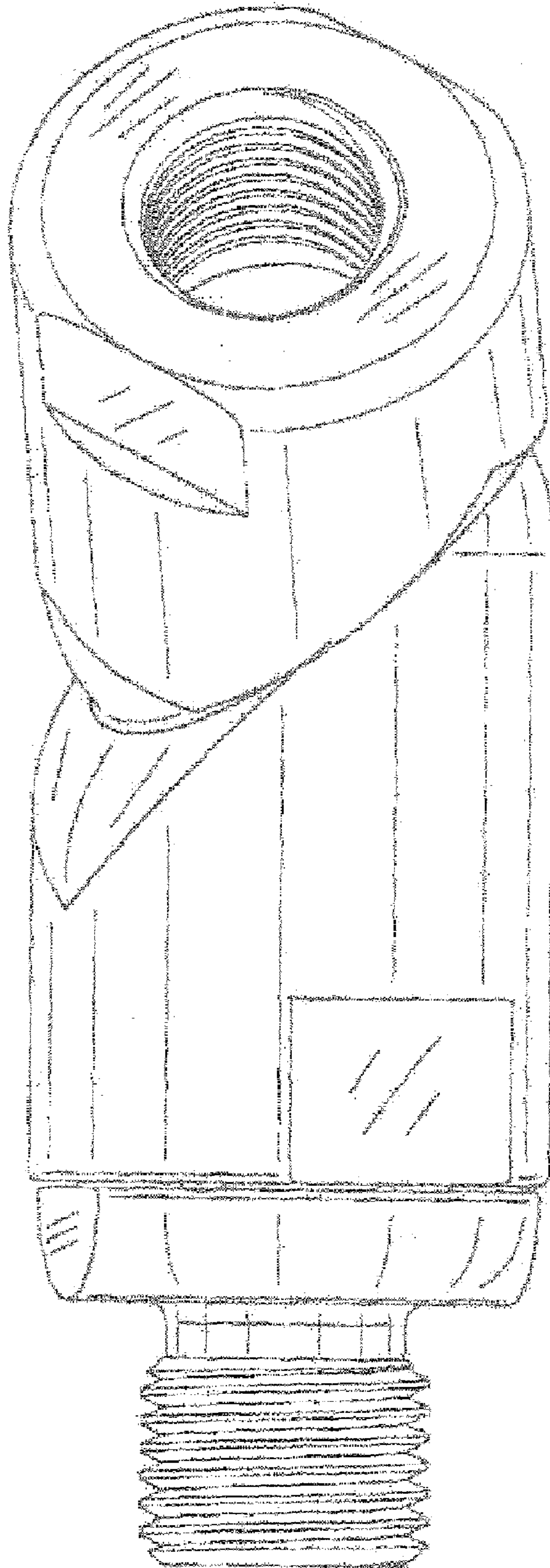


FIG. 7

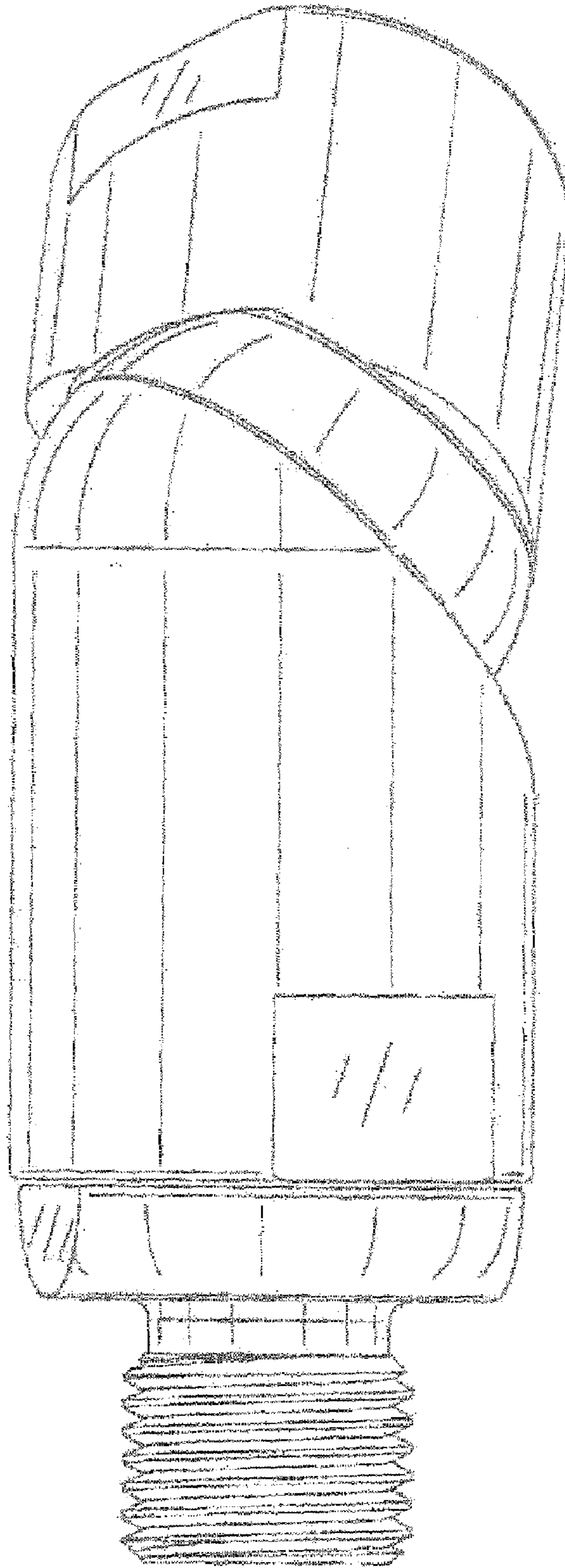


FIG. 8

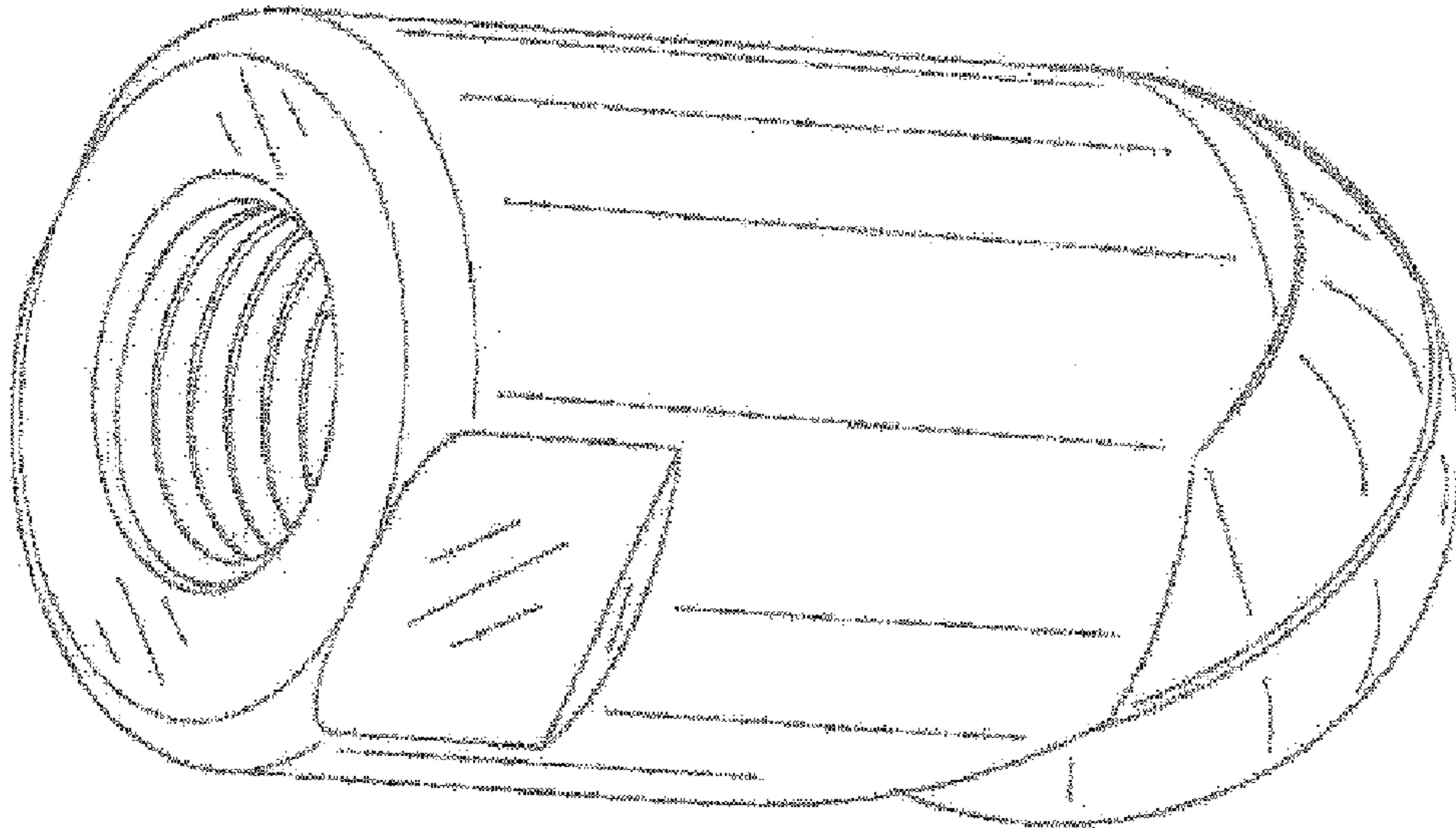


FIG. 9

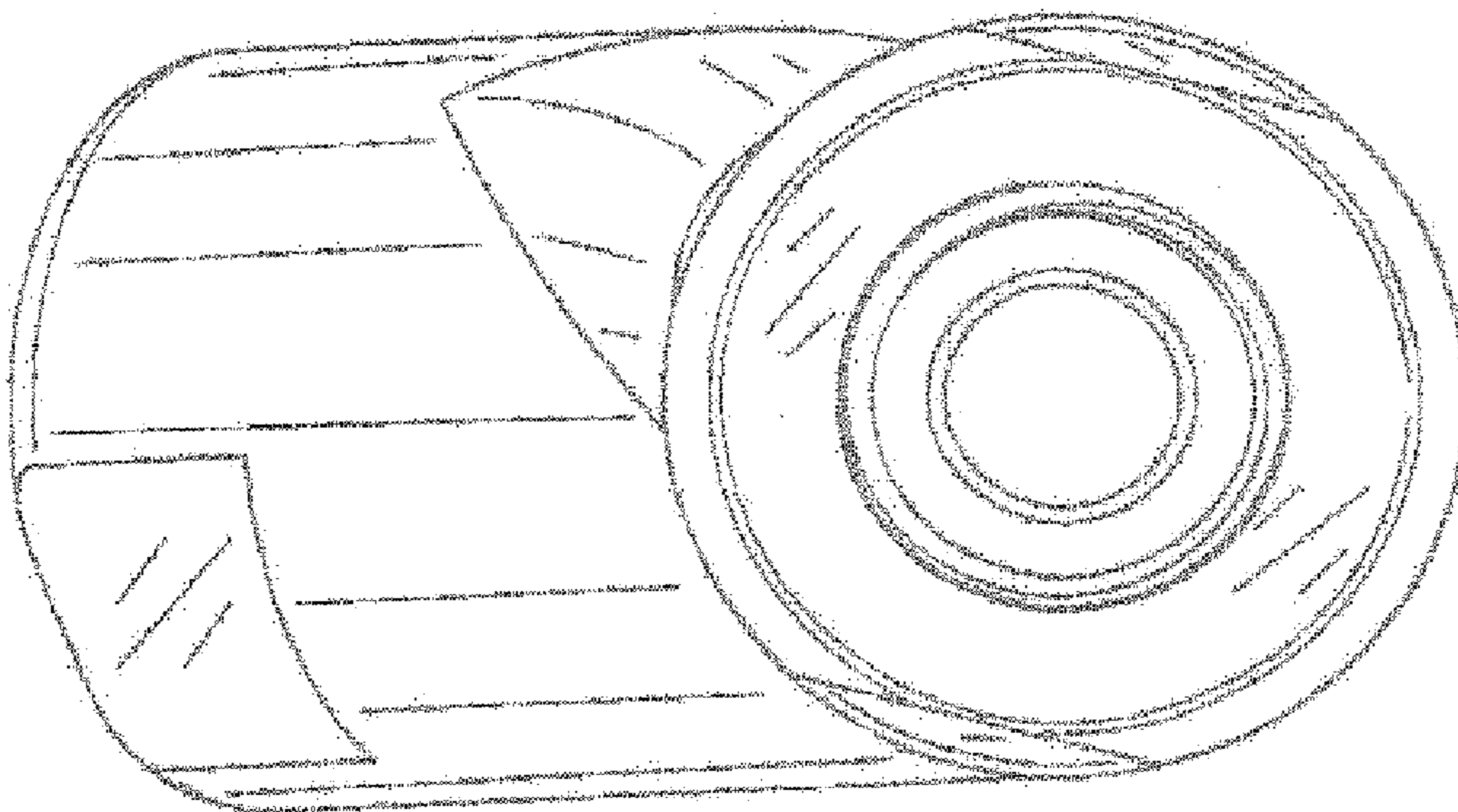


FIG. 10