

US00D563527S

(12) **United States Design Patent**  
**Schönherr et al.**

(10) **Patent No.:** **US D563,527 S**

(45) **Date of Patent:** **\*\* Mar. 4, 2008**

(54) **FAUCET**

(75) Inventors: **Tom Schönherr**, Stuttgart (DE);  
**Fabian Kollmann**, Stuttgart (DE);  
**Andreas Haug**, Stuttgart (DE)

(73) Assignee: **Hansgrohe AG** (DE)

(\*\*) Term: **14 Years**

(21) Appl. No.: **29/247,359**

(22) Filed: **Jun. 13, 2006**

(51) **LOC (8) Cl.** ..... **23-01**

(52) **U.S. Cl.** ..... **D23/255**

(58) **Field of Classification Search** ..... D23/238–243,  
D23/250–257; 4/675–678; 137/801  
See application file for complete search history.

(56) **References Cited**

U.S. PATENT DOCUMENTS

D529,589 S \* 10/2006 Veltz et al. .... D23/255

\* cited by examiner

*Primary Examiner*—Robert A. Delehanty

(74) *Attorney, Agent, or Firm*—Leon E. Redman; Lloyd D. Doigan

(57) **CLAIM**

The ornamental design for a faucet, as shown and described.

**DESCRIPTION**

FIG. 1 is a front perspective view of a faucet showing our design;

FIG. 2 is a top plan view thereof;

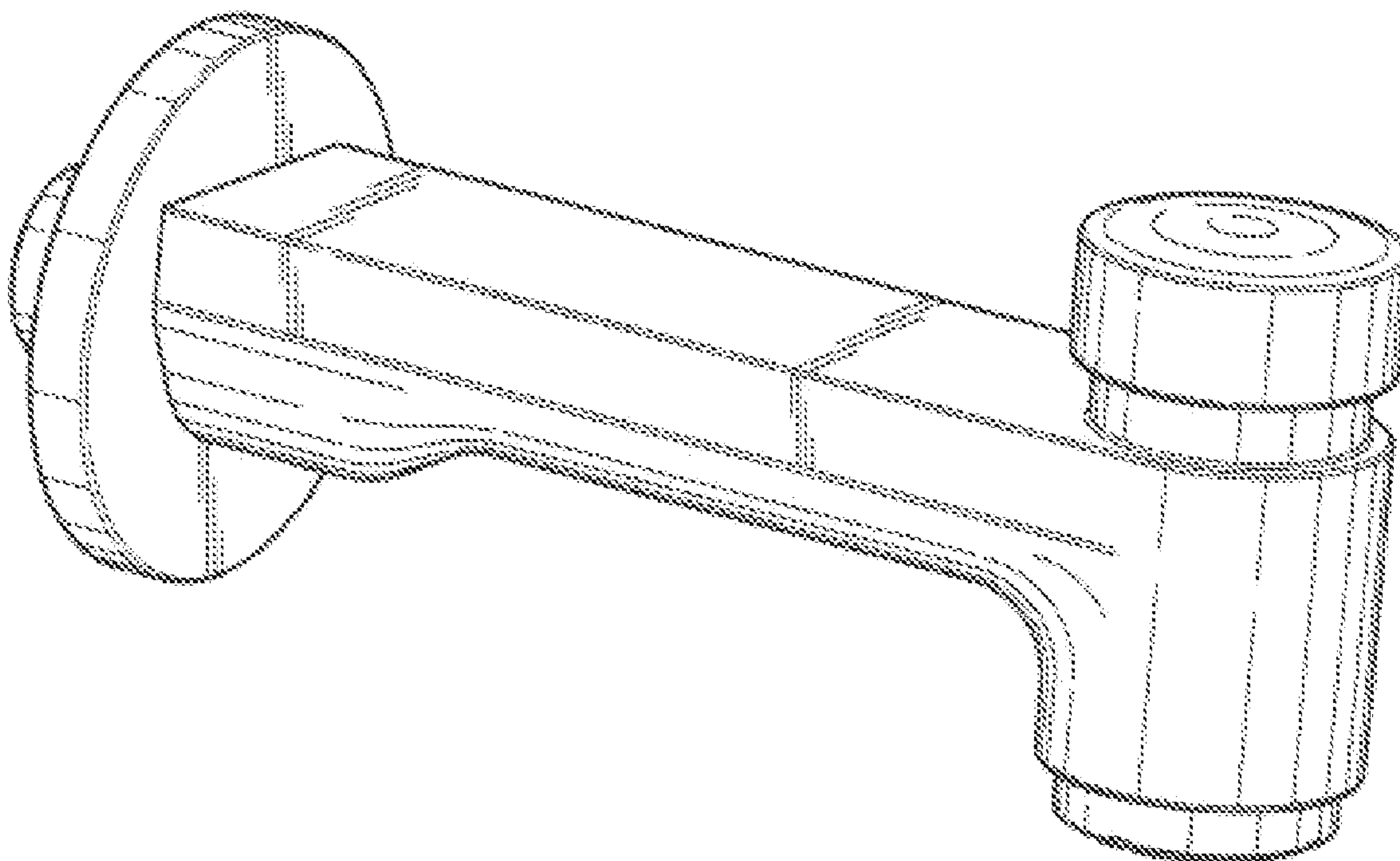
FIG. 3 is a right side elevational view thereof; the left side elevational view being a mirror image thereof;

FIG. 4 is a bottom plan view thereof; and,

FIG. 5 is a front elevational view thereof.

The broken lines in the Figures are for illustrative purposes only and form no part of the claimed design.

**1 Claim, 3 Drawing Sheets**



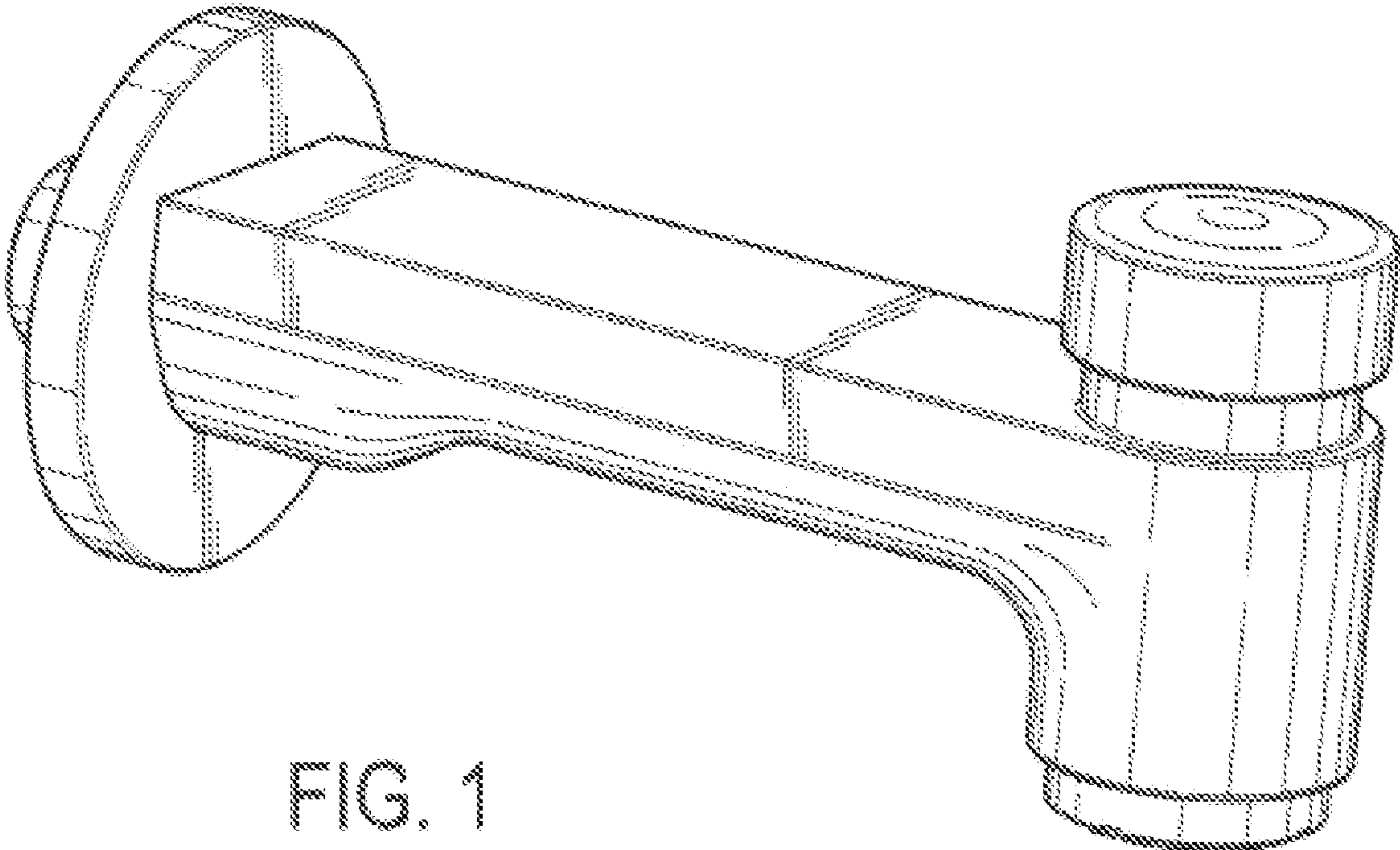


FIG. 1

FIG. 2

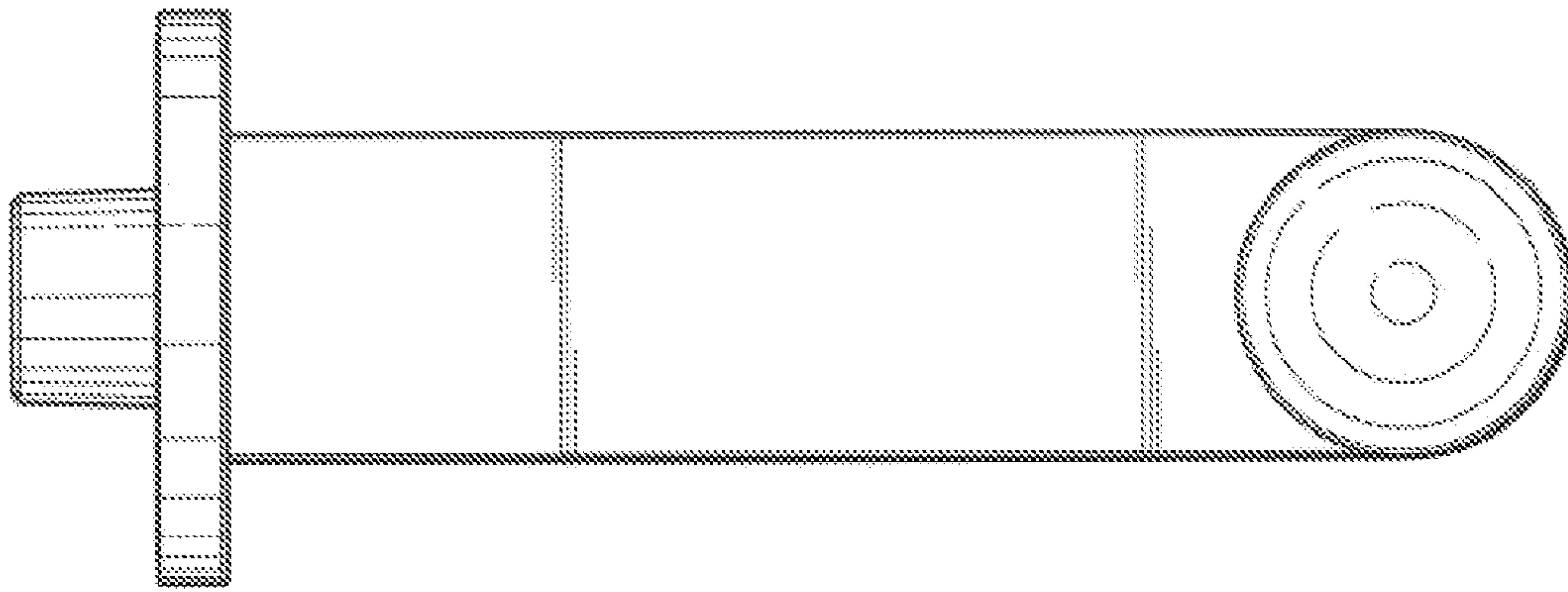


FIG. 3

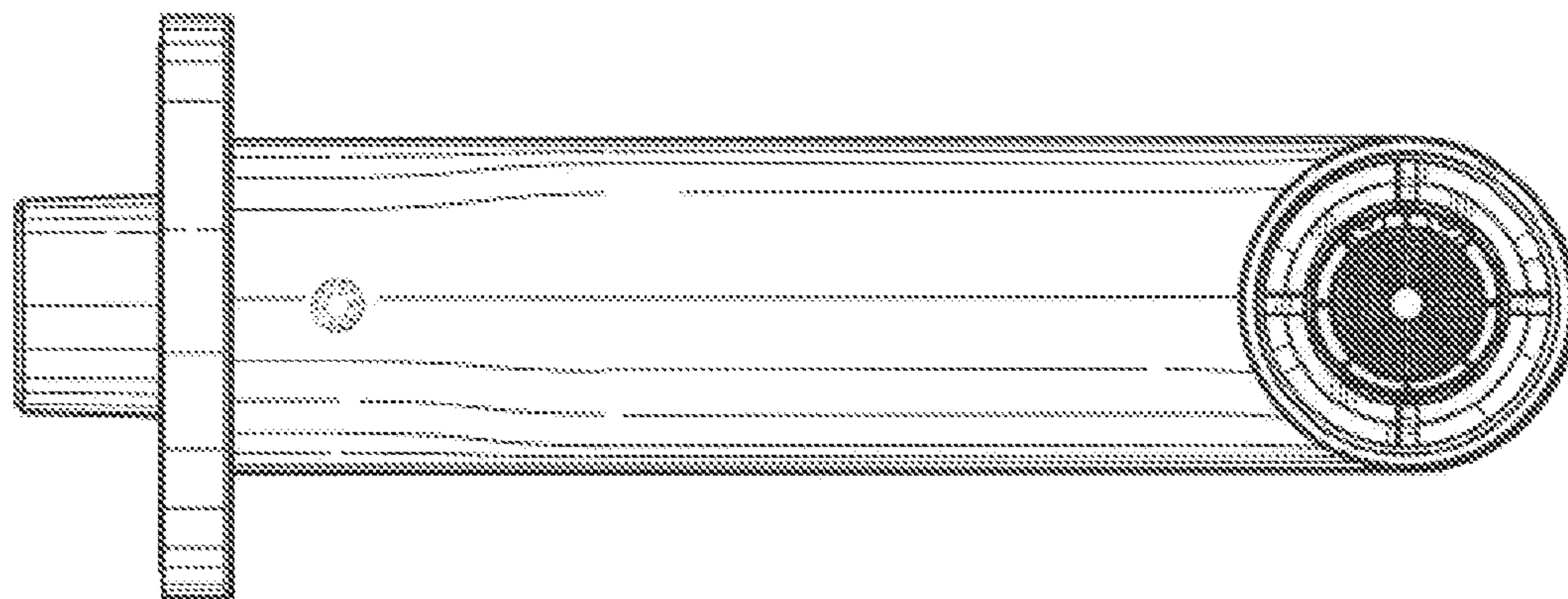
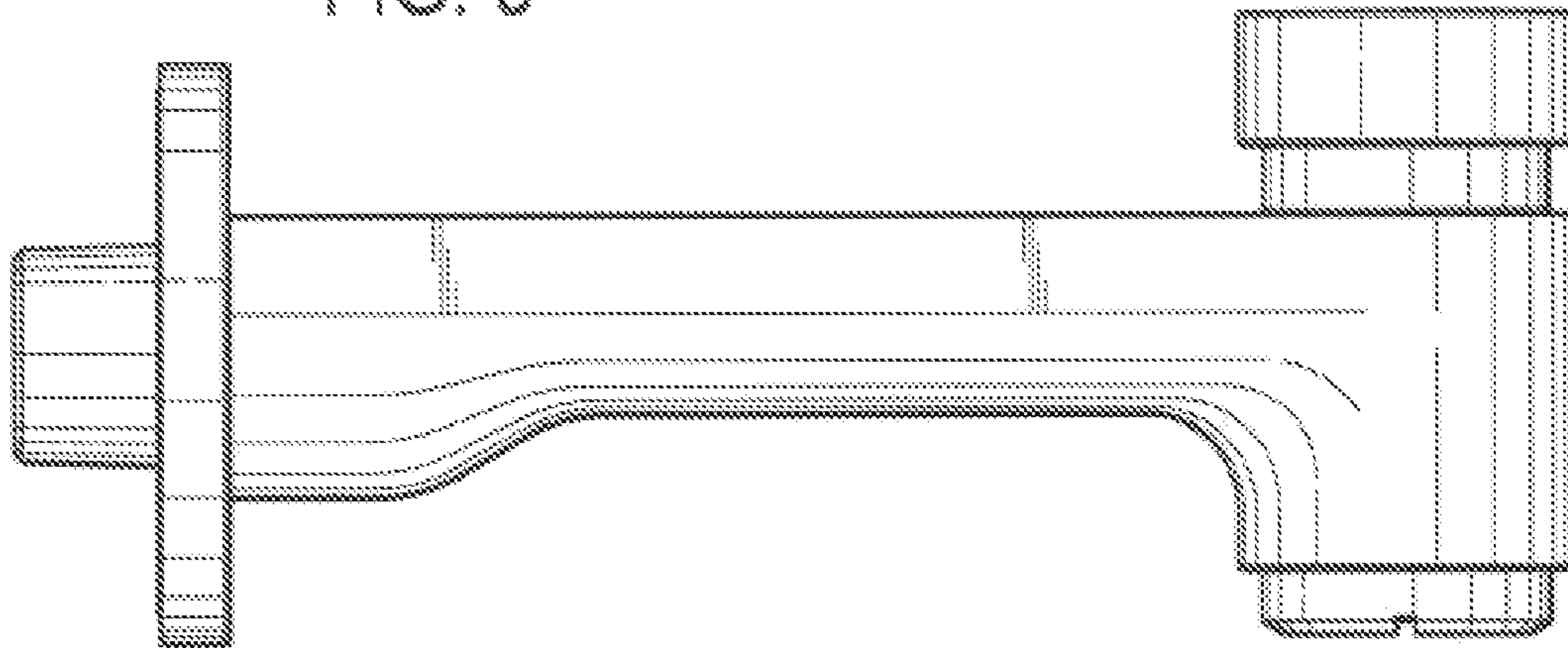


FIG. 4

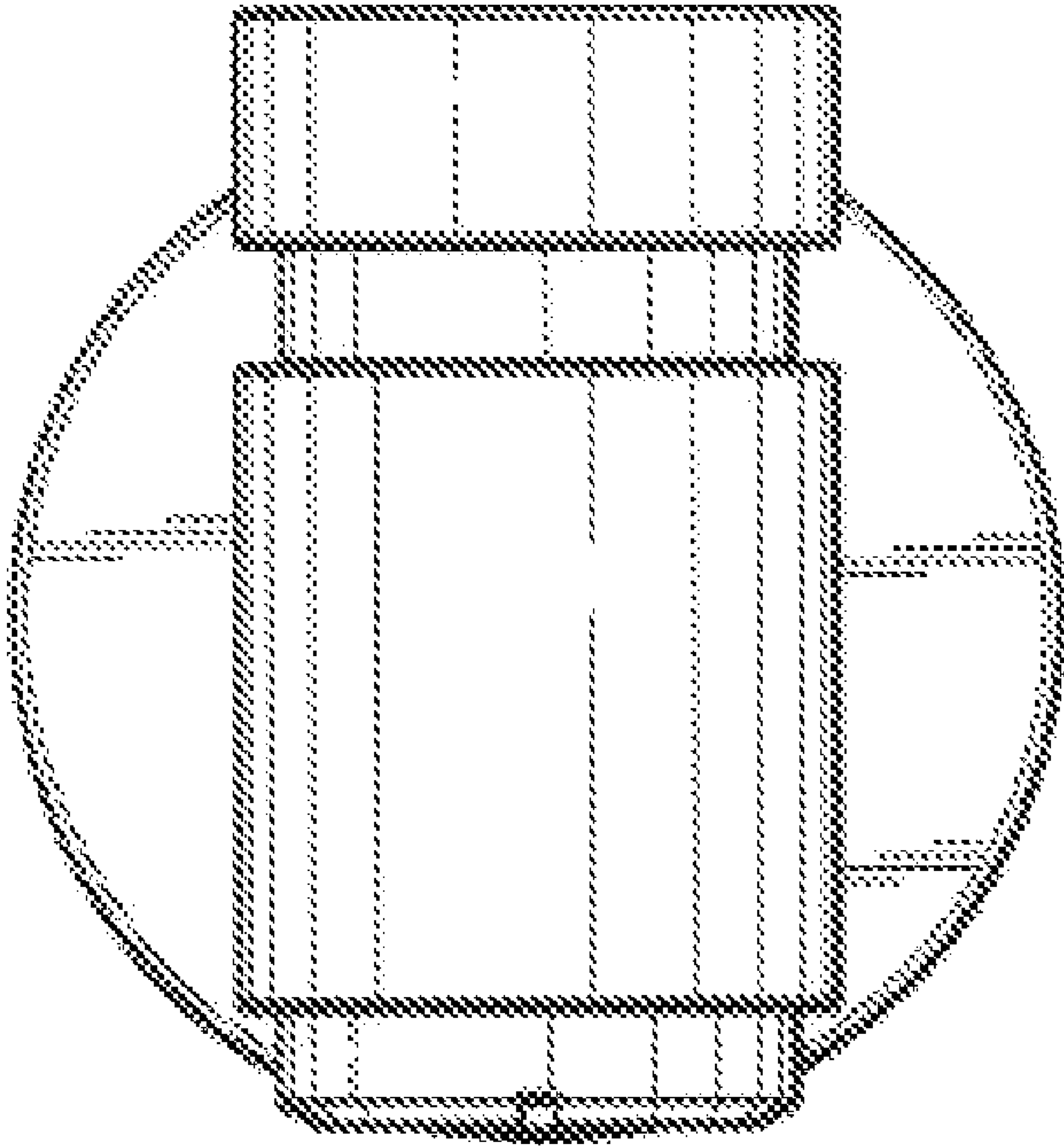


FIG. 5



UNITED STATES PATENT AND TRADEMARK OFFICE  
**CERTIFICATE OF CORRECTION**

PATENT NO. : Des. 563,527 S  
APPLICATION NO. : 29/247359  
DATED : March 4, 2008  
INVENTOR(S) : Schönherr et al.

Page 1 of 5

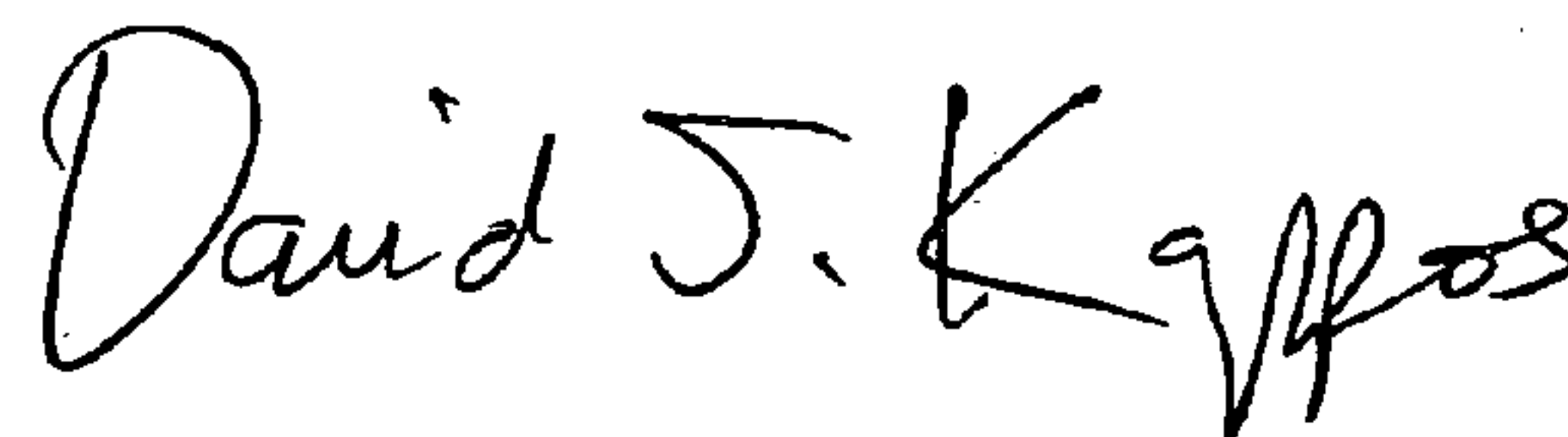
It is certified that error appears in the above-identified patent and that said Letters Patent is hereby corrected as shown below:

The title page should be deleted and substitute therefor the attached title page.

Delete drawing sheets 1-3, and substitute therefor the drawing sheets , consisting of FIGS. 1-5, as Shown on the attached pages.

Signed and Sealed this

Fifteenth Day of December, 2009

A handwritten signature in black ink that reads "David J. Kappos". The signature is written in a cursive style with a large 'D' and 'K'.

David J. Kappos  
*Director of the United States Patent and Trademark Office*

(12) **United States Design Patent**  
**Schönherr et al.**

(10) **Patent No.:** **US D563,527 S**  
(45) **Date of Patent:** **\*\* Mar. 4, 2008**

(54) **FAUCET**

(75) **Inventors:** Tom Schönherr, Stuttgart (DE);  
Fabian Kollmann, Stuttgart (DE);  
Andreas Haug, Stuttgart (DE)

(73) **Assignee:** Hansgrohe AG (DE)

(\*\*) **Term:** 14 Years

(21) **Appl. No.:** 29/247,359

(22) **Filed:** Jun. 13, 2006

(51) **LOC (8) Cl.** ..... 23-01

(52) **U.S. Cl.** ..... D23/255

(58) **Field of Classification Search** ..... D23/238-243,  
D23/250-257; 4/675-678; 137/801  
See application file for complete search history.

(56) **References Cited**

**U.S. PATENT DOCUMENTS**

D529,589 S \* 10/2006 Veltz et al. .... D23/255

\* cited by examiner

*Primary Examiner*—Robert A. Delehanty  
(74) *Attorney, Agent, or Firm*—Leon E. Redman; Lloyd D. Doigan

(57) **CLAIM**

The ornamental design for a faucet, as shown and described.

**DESCRIPTION**

FIG. 1 is a front perspective view of a faucet showing our design;

FIG. 2 is a top plan view thereof;

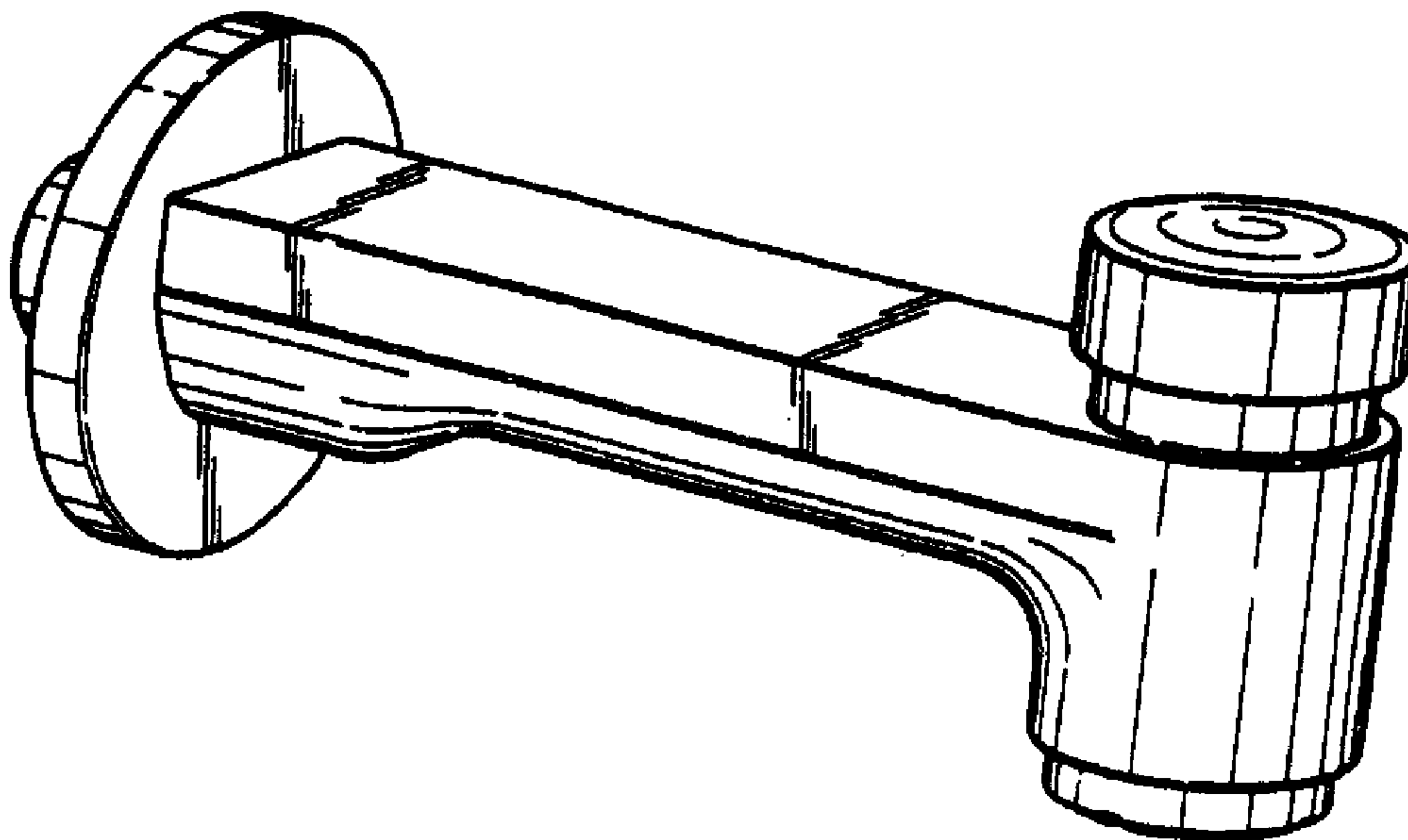
FIG. 3 is a right side elevational view thereof; the left side elevational view being a mirror image thereof;

FIG. 4 is a bottom plan view thereof; and,

FIG. 5 is a front elevational view thereof.

The broken lines in the Figures are for illustrative purposes only and form no part of the claimed design.

**1 Claim, 3 Drawing Sheets**

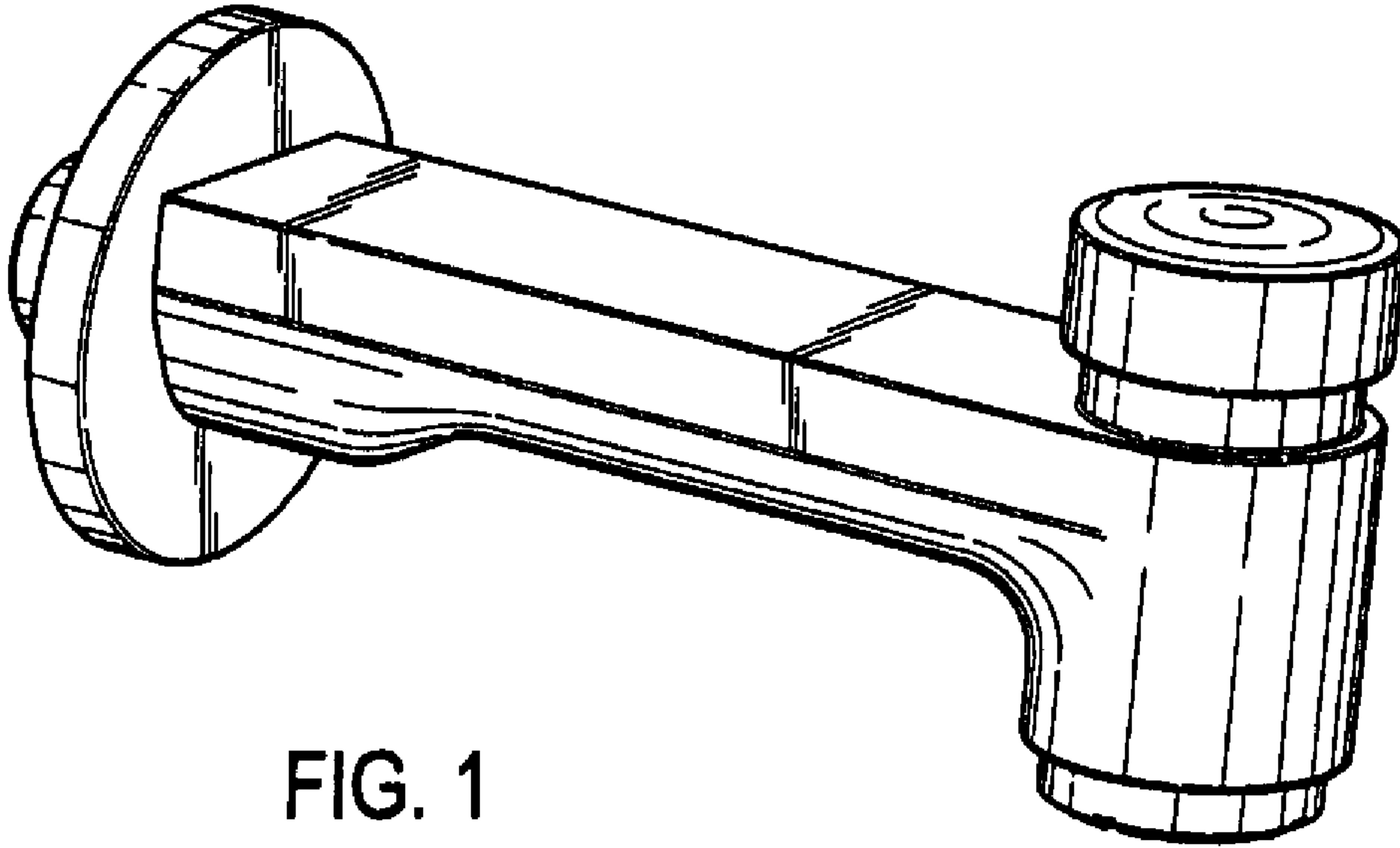


**U.S. Patent**

**Mar. 4, 2008**

**Sheet 1 of 3**

**D563,527 S**



**FIG. 1**

FIG. 2

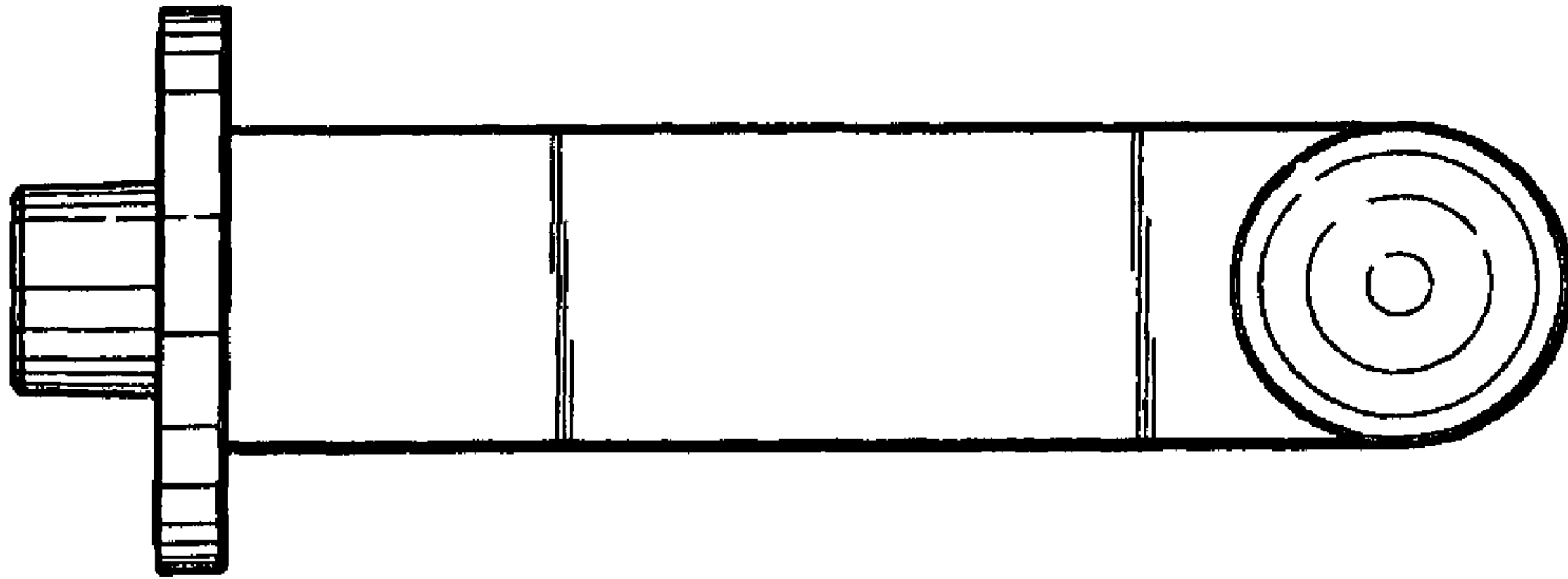


FIG. 3

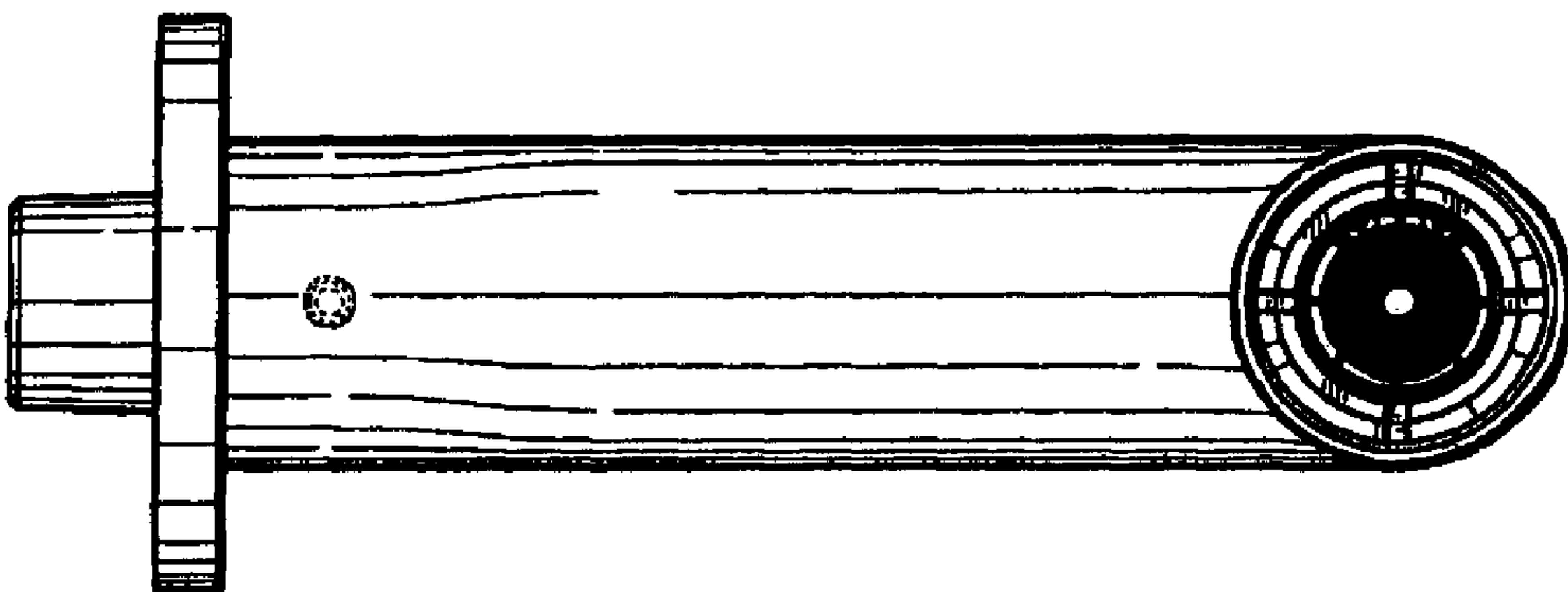
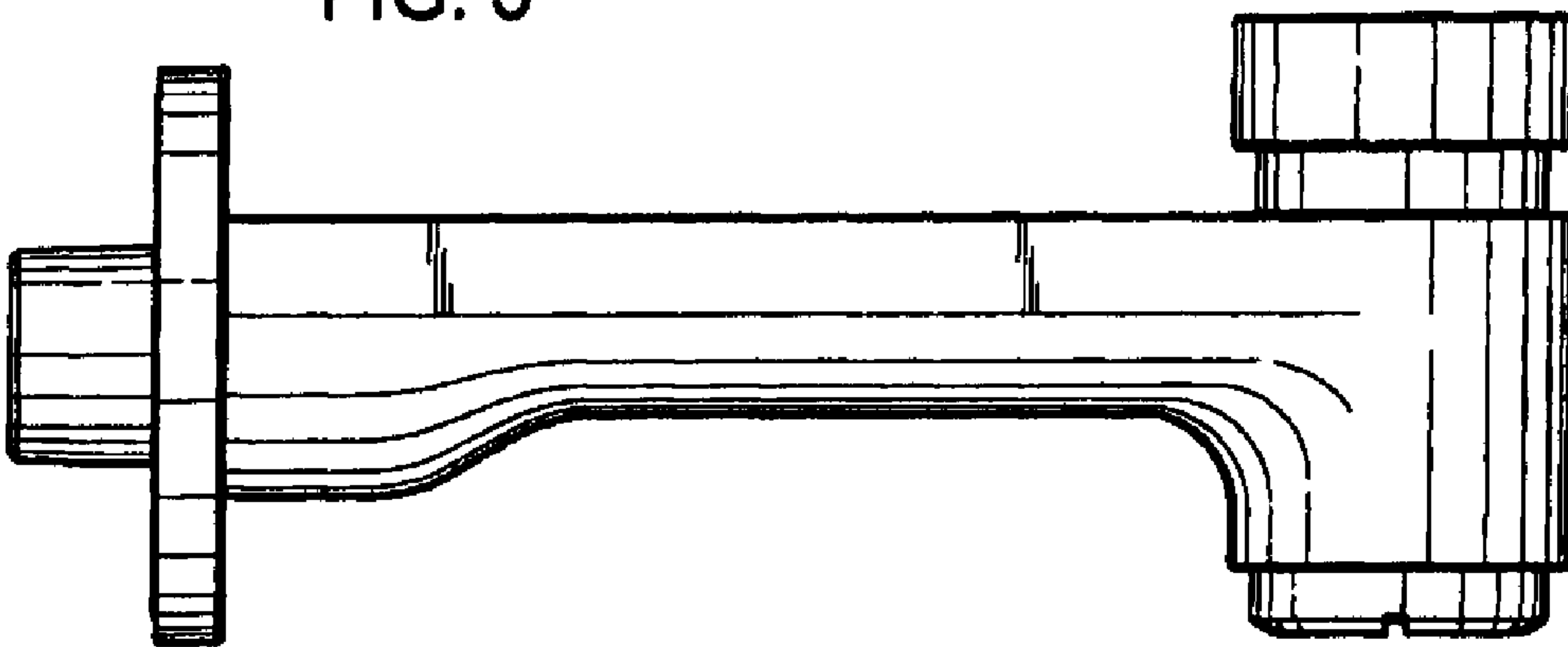


FIG. 4

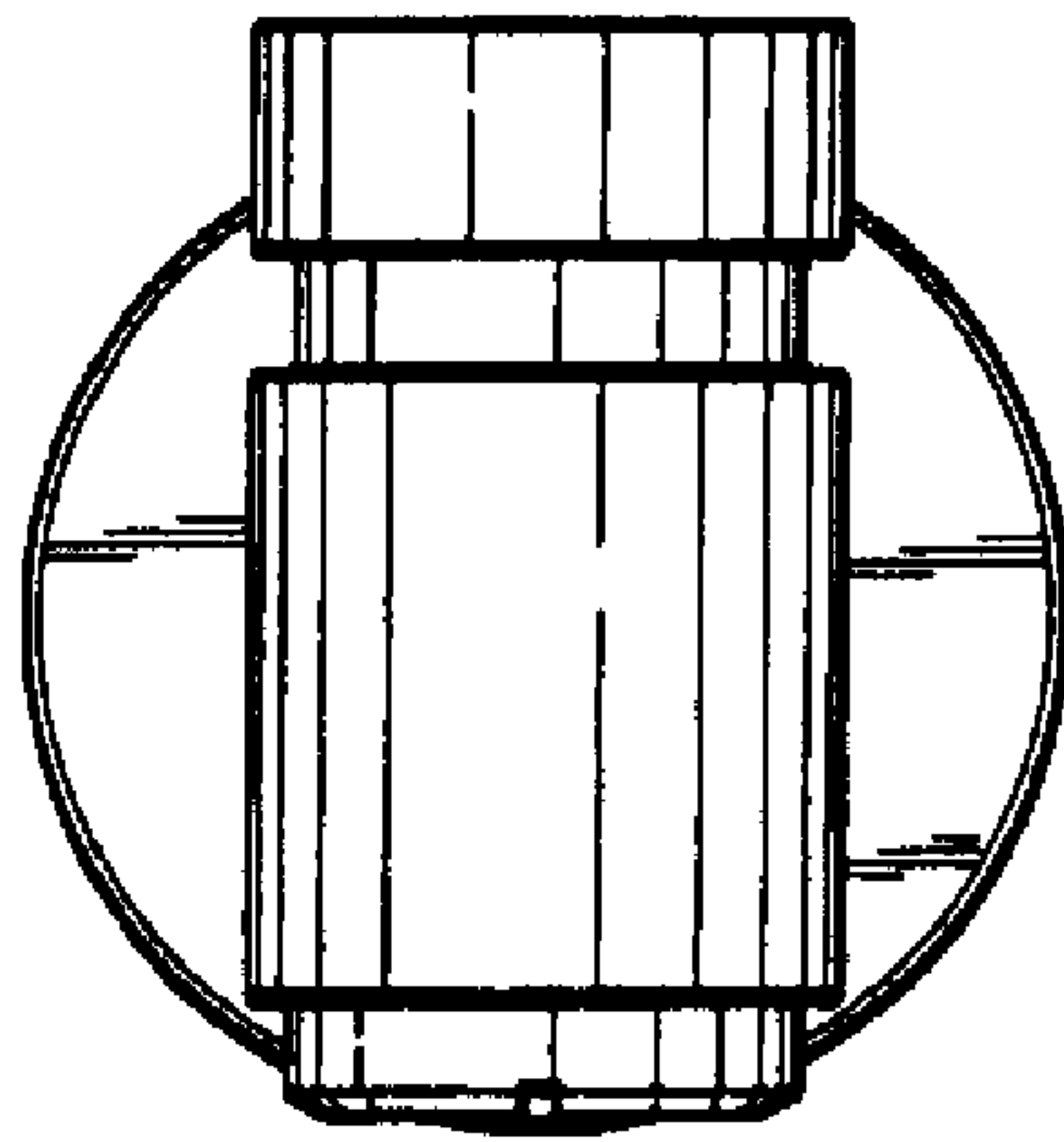


**U.S. Patent**

**Mar. 4, 2008**

**Sheet 3 of 3**

**D563,527 S**



**FIG. 5**