



US00D563525S

(12) **United States Design Patent**
Zhu

(10) **Patent No.:** **US D563,525 S**
(45) **Date of Patent:** **** Mar. 4, 2008**

(54) **FAUCET SET**

(75) Inventor: **Fang Zhu**, Taichung (TW)

(73) Assignee: **Globe Union Industrial Corp.**,
Taichung (TW)

(**) Term: **14 Years**

(21) Appl. No.: **29/246,803**

(22) Filed: **May 11, 2006**

(51) **LOC (8) Cl.** **23-01**

(52) **U.S. Cl.** **D23/242**

(58) **Field of Classification Search** D23/238-243,
D23/250-257; 4/675-678; 137/801
See application file for complete search history.

(56) **References Cited**

U.S. PATENT DOCUMENTS

D511,371 S * 11/2005 Chen D23/241
D520,116 S * 5/2006 Koury et al. D23/241
D522,624 S * 6/2006 Koury et al. D23/252

* cited by examiner

Primary Examiner—Robert A. Delehanty
(74) *Attorney, Agent, or Firm*—Leong C. Lei

(57) **CLAIM**

The ornamental design for a faucet set, as shown and described.

DESCRIPTION

FIG. 1 is a perspective view of a faucet set showing my new design;

FIG. 2 is a front elevational view thereof;

FIG. 3 is a rear elevational view thereof;

FIG. 4 is a left side elevational view thereof;

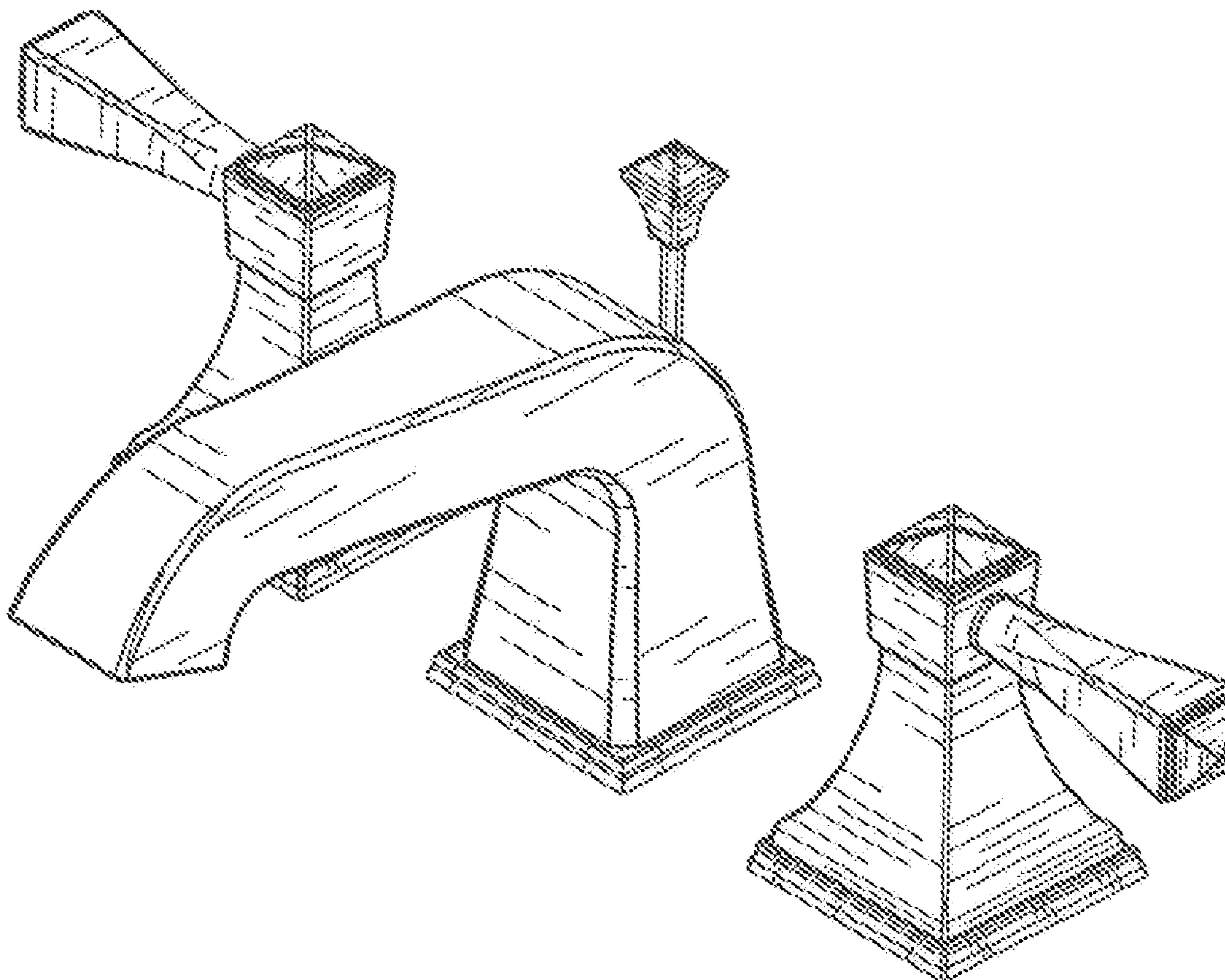
FIG. 5 is a right side elevational view thereof;

FIG. 6 is a top plan view thereof; and,

FIG. 7 is another perspective view thereof, with a faucet cover plate engaged.

The dotted line showing of the faucet cover plate is for illustrative purposes only and forms no part of the claimed design.

1 Claim, 5 Drawing Sheets



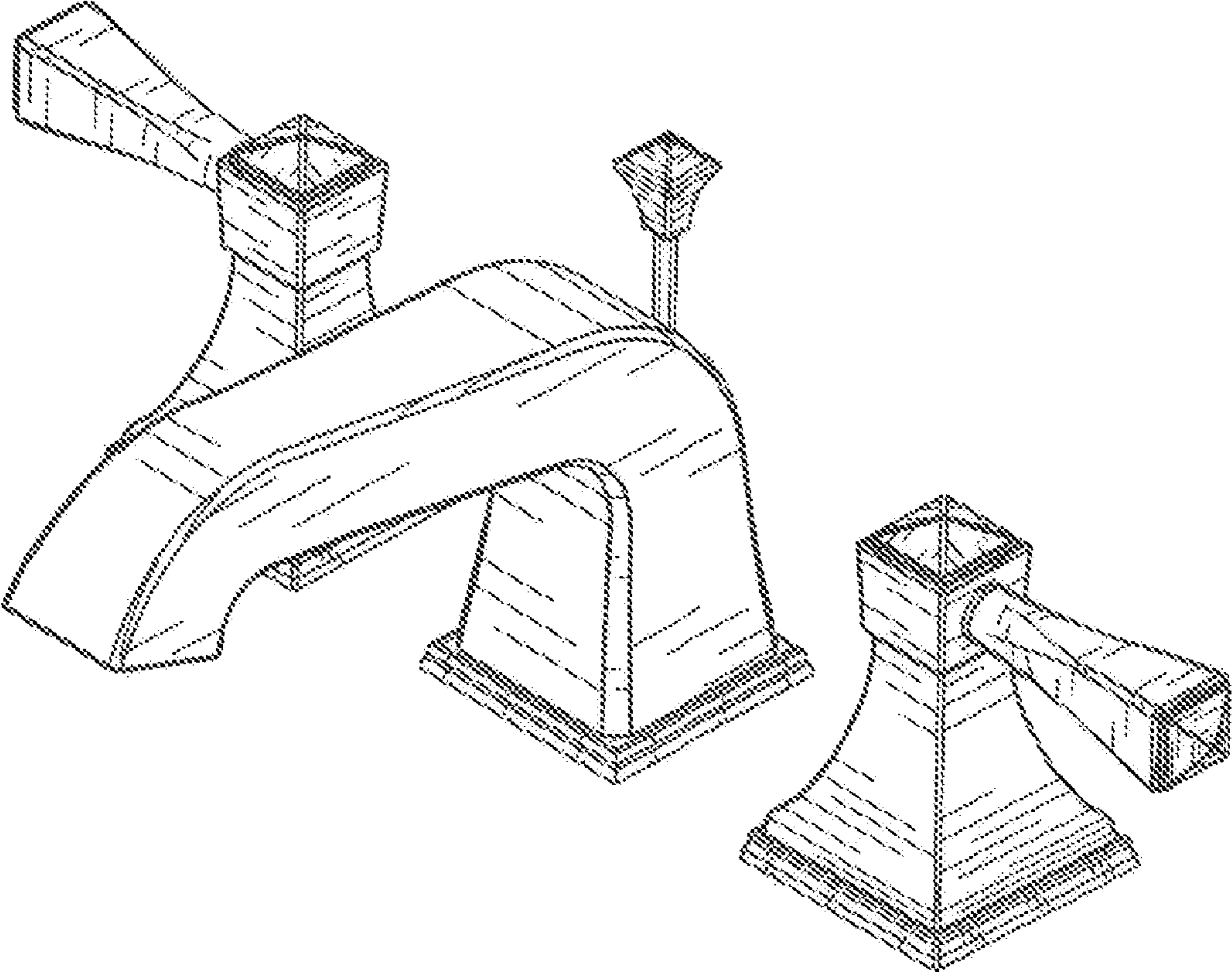


FIG. 1

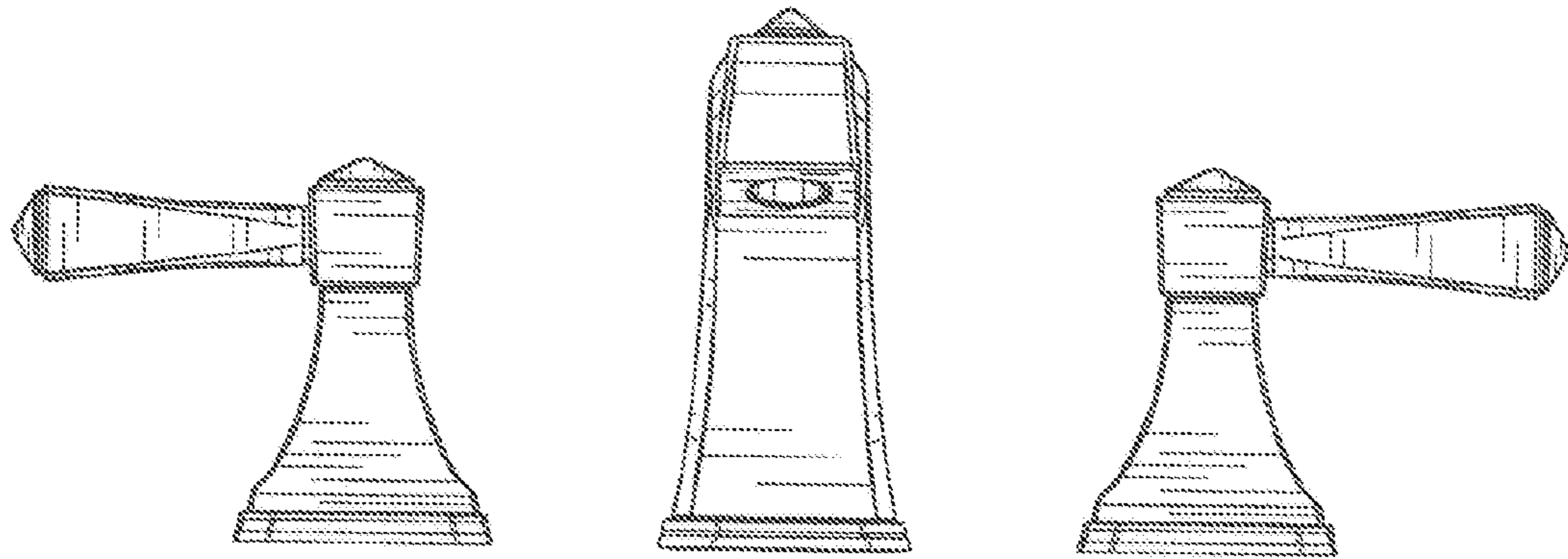


FIG. 2

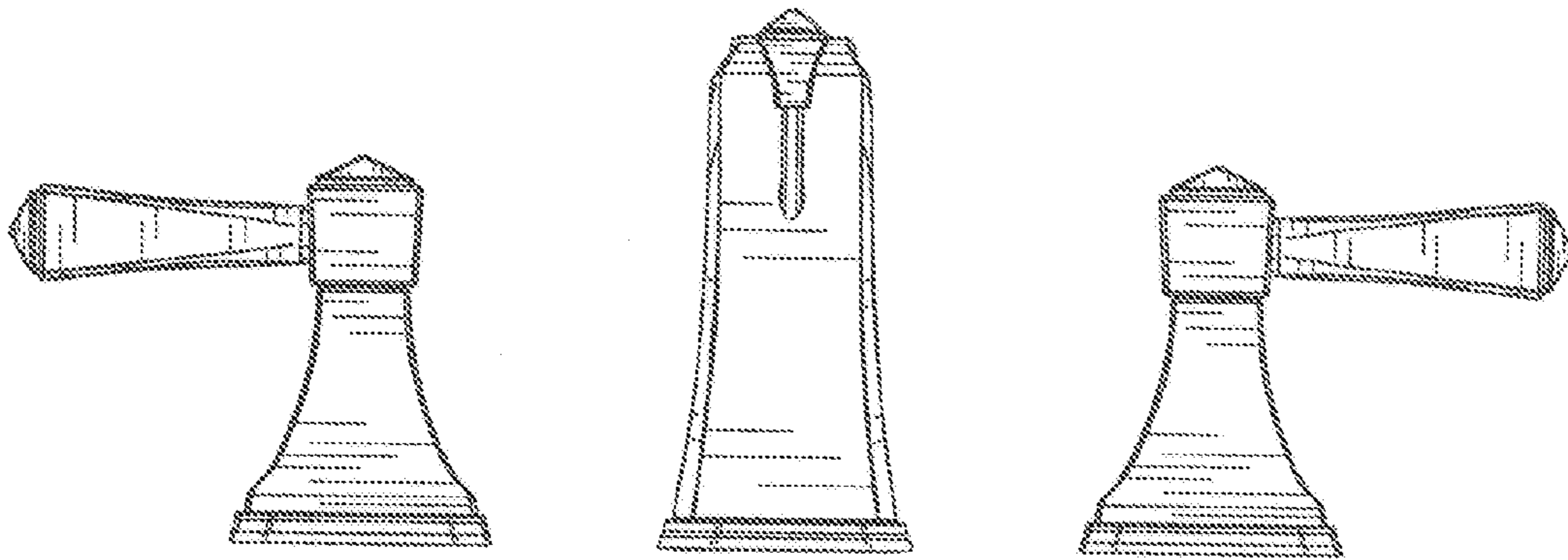


FIG. 3

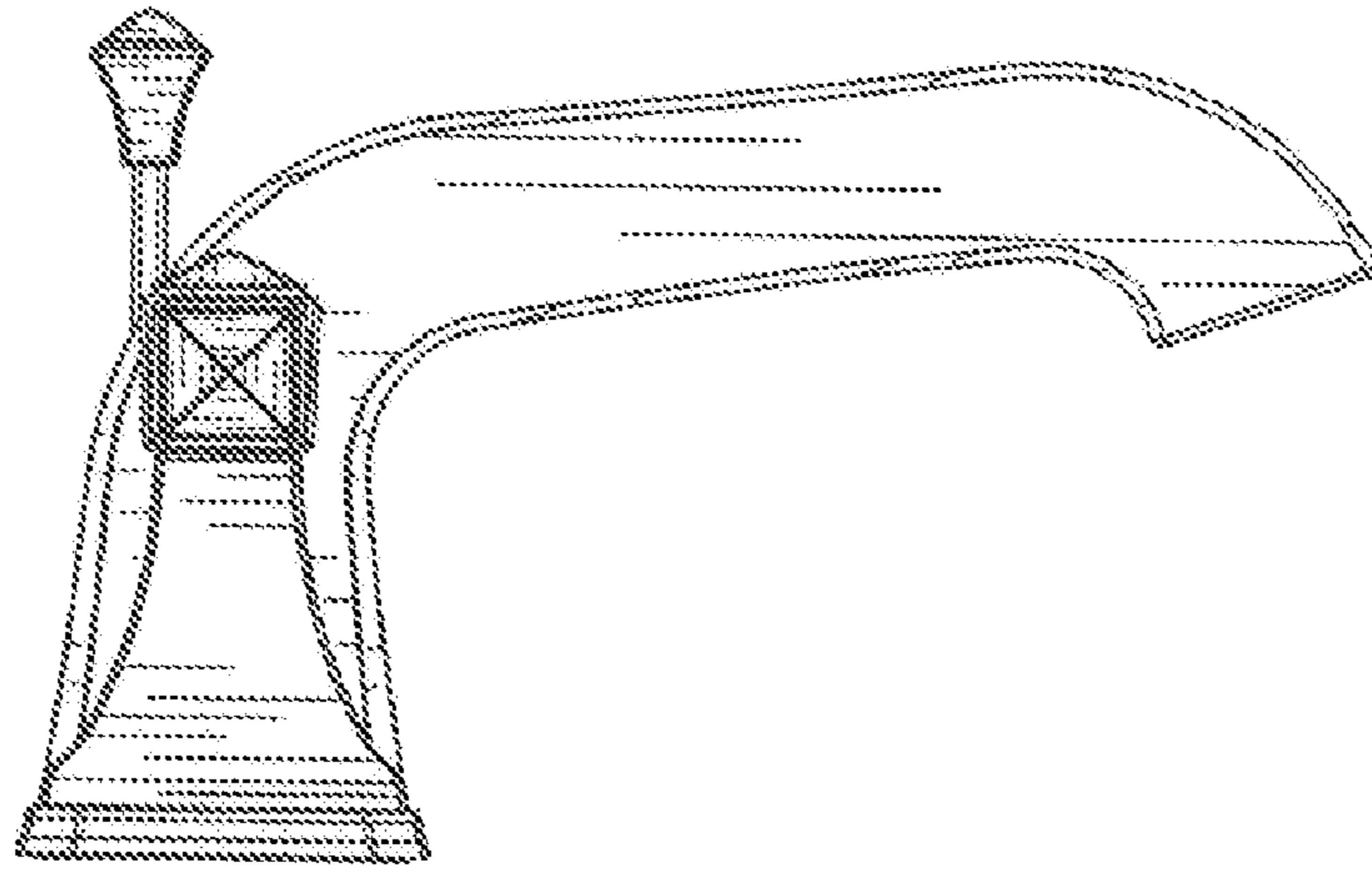


FIG. 4

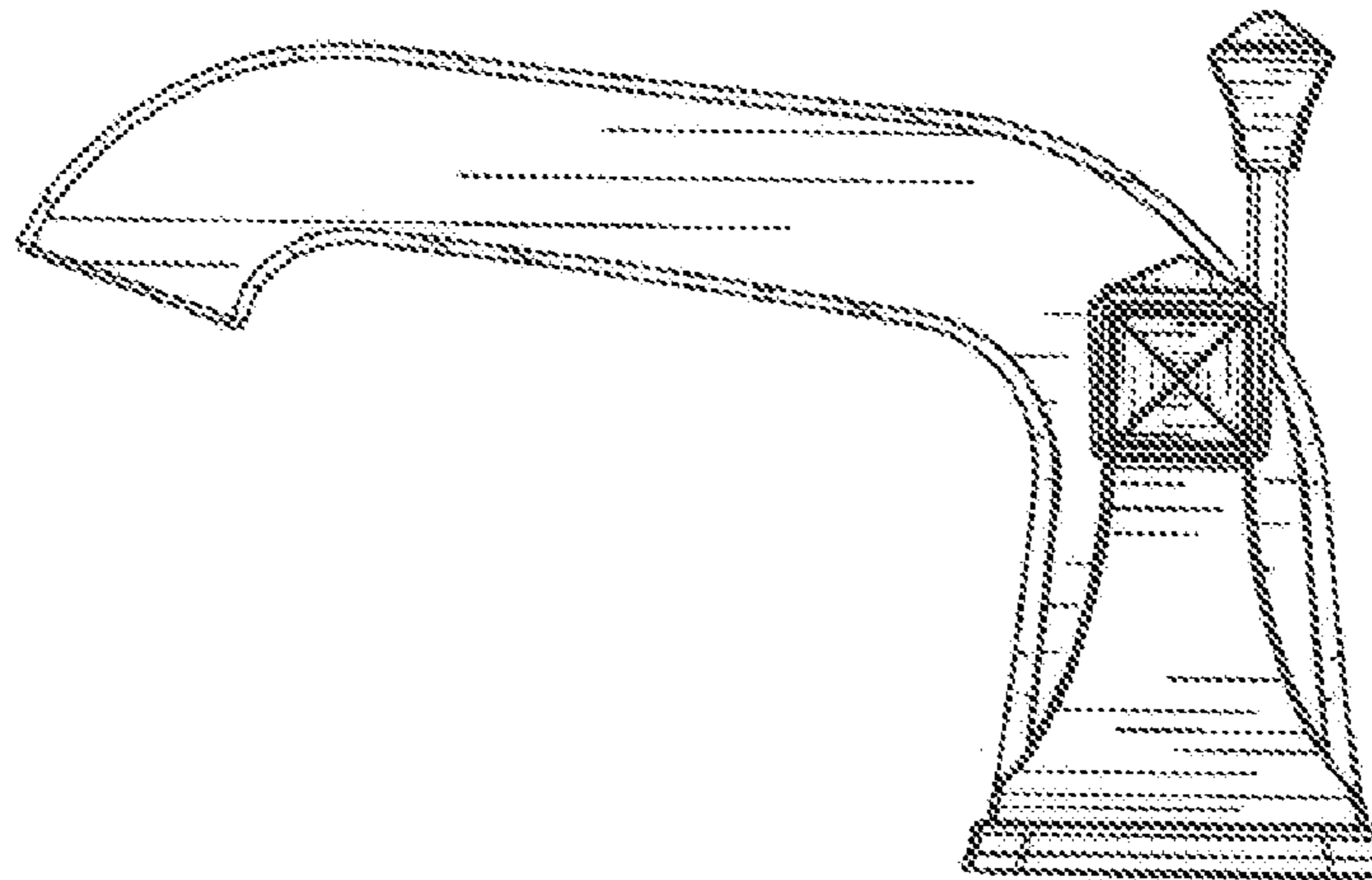


FIG. 5

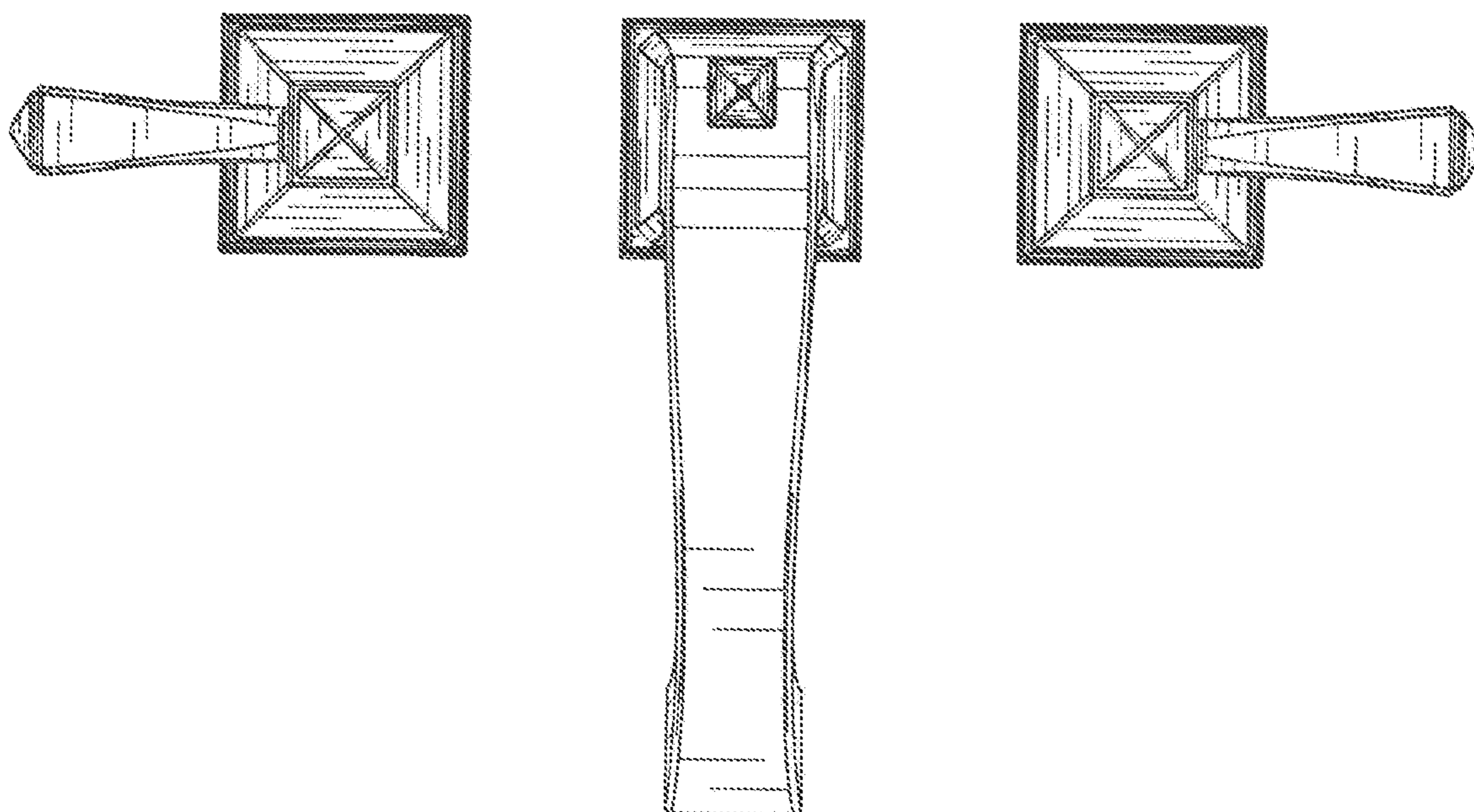


FIG. 6

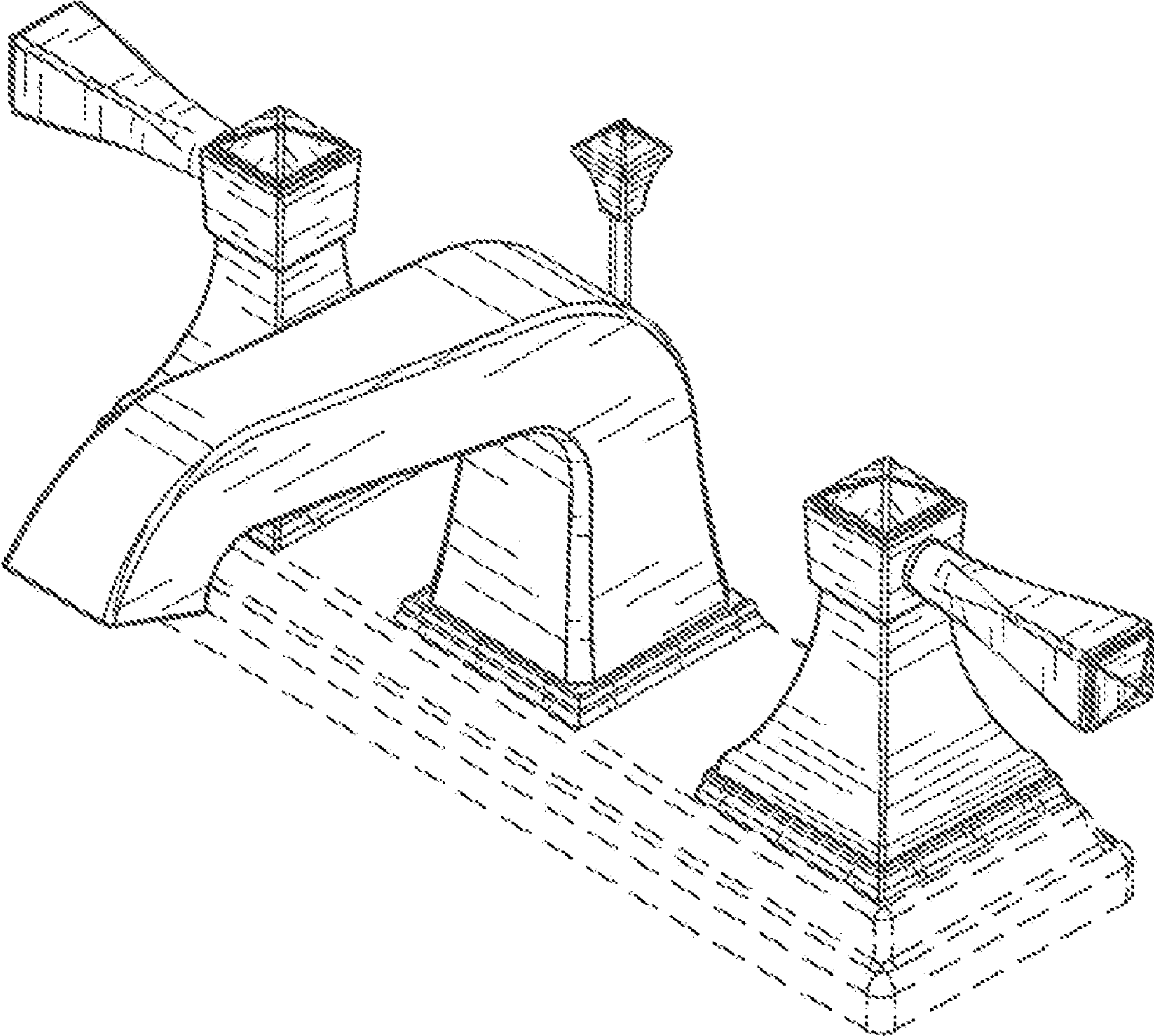


FIG. 7