



US00D563524S

(12) **United States Design Patent**
Wolf

(10) **Patent No.:** **US D563,524 S**

(45) **Date of Patent:** **** Mar. 4, 2008**

(54) **FAUCET**

(75) Inventor: **Theo Wolf**, Senden (DE)

(73) Assignee: **Grohe AG**, Hemer (DE)

(**) Term: **14 Years**

(21) Appl. No.: **29/273,447**

(22) Filed: **Mar. 6, 2007**

(51) **LOC (8) Cl.** **23-01**

(52) **U.S. Cl.** **D23/238**

(58) **Field of Classification Search** D23/238-250,
D23/252-255; 4/671-678; 137/801, 615
See application file for complete search history.

(56) **References Cited**

U.S. PATENT DOCUMENTS

4,678,002	A	*	7/1987	Valley	137/801
D405,162	S	*	2/1999	Doughty et al.	D23/250
D405,509	S	*	2/1999	Doughty et al.	D23/252
D429,521	S	*	8/2000	Doughty et al.	D23/250
6,317,905	B1	*	11/2001	Slothower	4/678
D455,195	S	*	4/2002	McKeone	D23/249
D461,536	S	*	8/2002	Singtoroj	D23/252
D462,418	S	*	9/2002	Smith	D23/238

D464,407	S	*	10/2002	Singtoroj	D23/255
D468,405	S	*	1/2003	McKeone	D23/249
D475,766	S	*	6/2003	Tolosa	D23/250
D476,064	S	*	6/2003	Smith	D23/250
2004/0139544	A1	*	7/2004	Williams et al.	4/675

* cited by examiner

Primary Examiner—Ian Simmons

Assistant Examiner—David G Muller

(74) *Attorney, Agent, or Firm*—Andrew Wilford

(57) **CLAIM**

The ornamental design for a faucet, as shown and described.

DESCRIPTION

FIG. 1 is a perspective view of a faucet according to the invention;

FIG. 2 is a left-side elevational view of the faucet, the right side being a mirror image thereof;

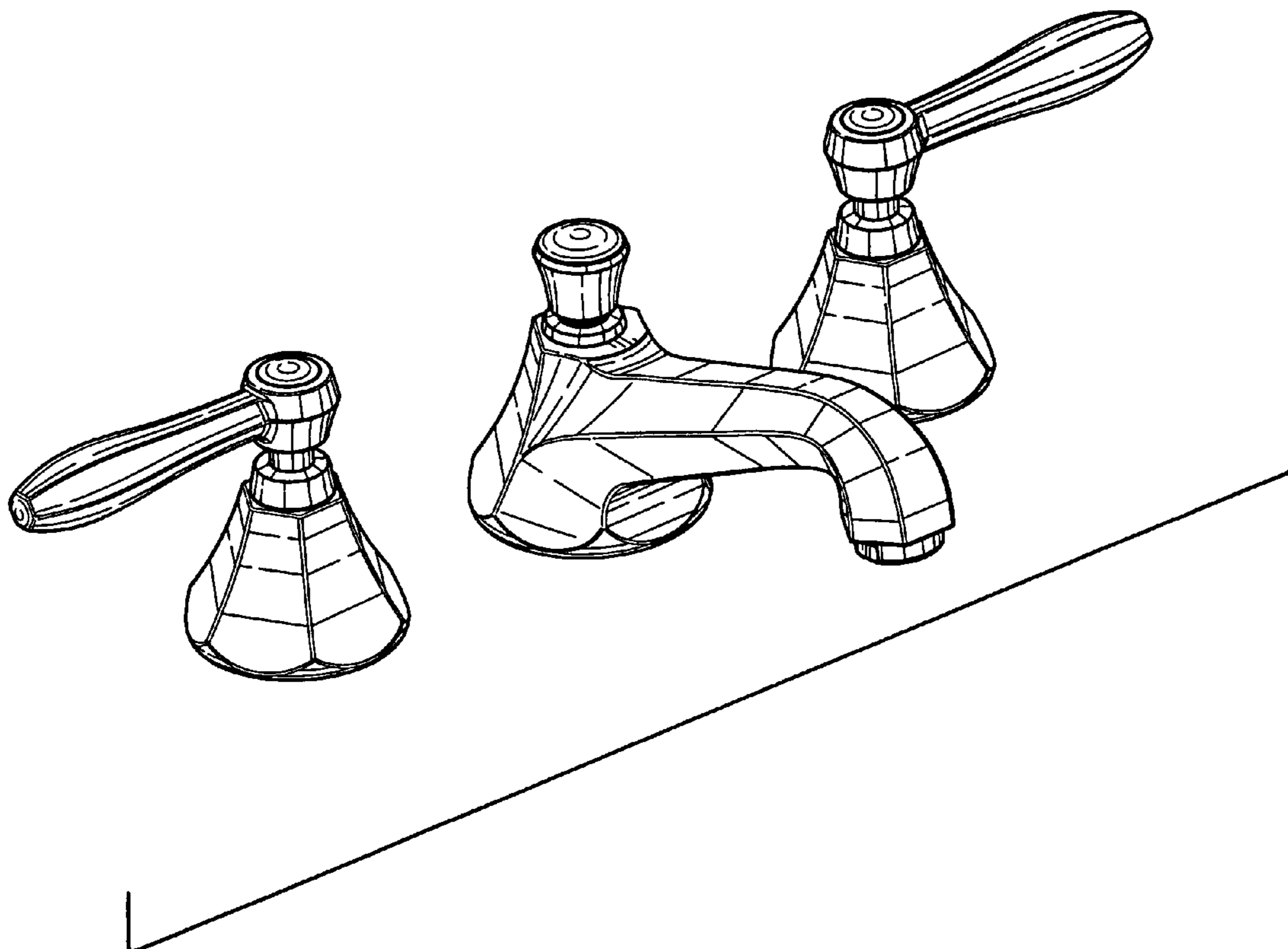
FIG. 3 is a top view of the faucet;

FIG. 4 is a front elevational view of the faucet;

FIG. 5 is a rear elevational view of the faucet; and,

FIG. 6 is a bottom view of the faucet.

1 Claim, 4 Drawing Sheets



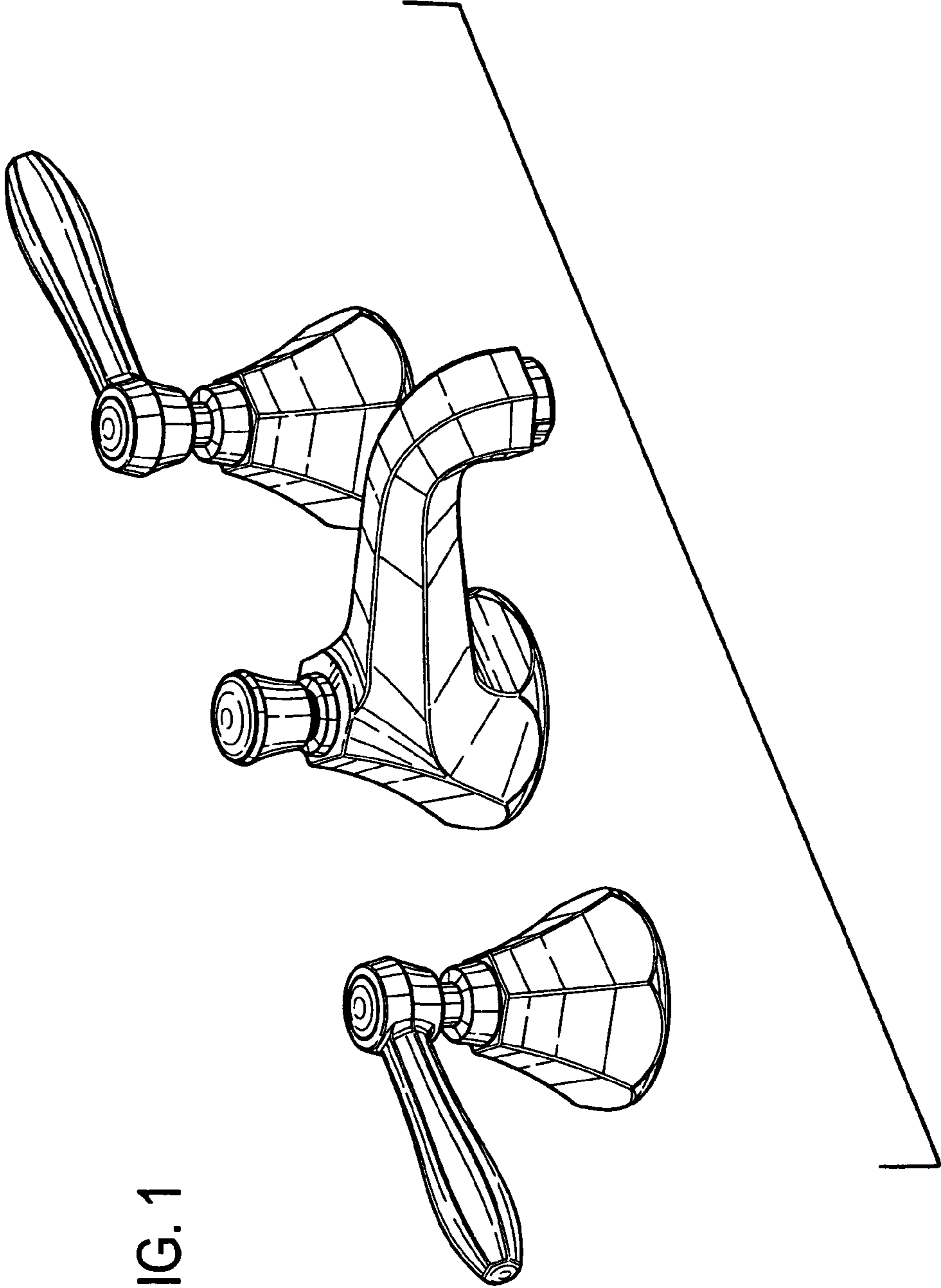
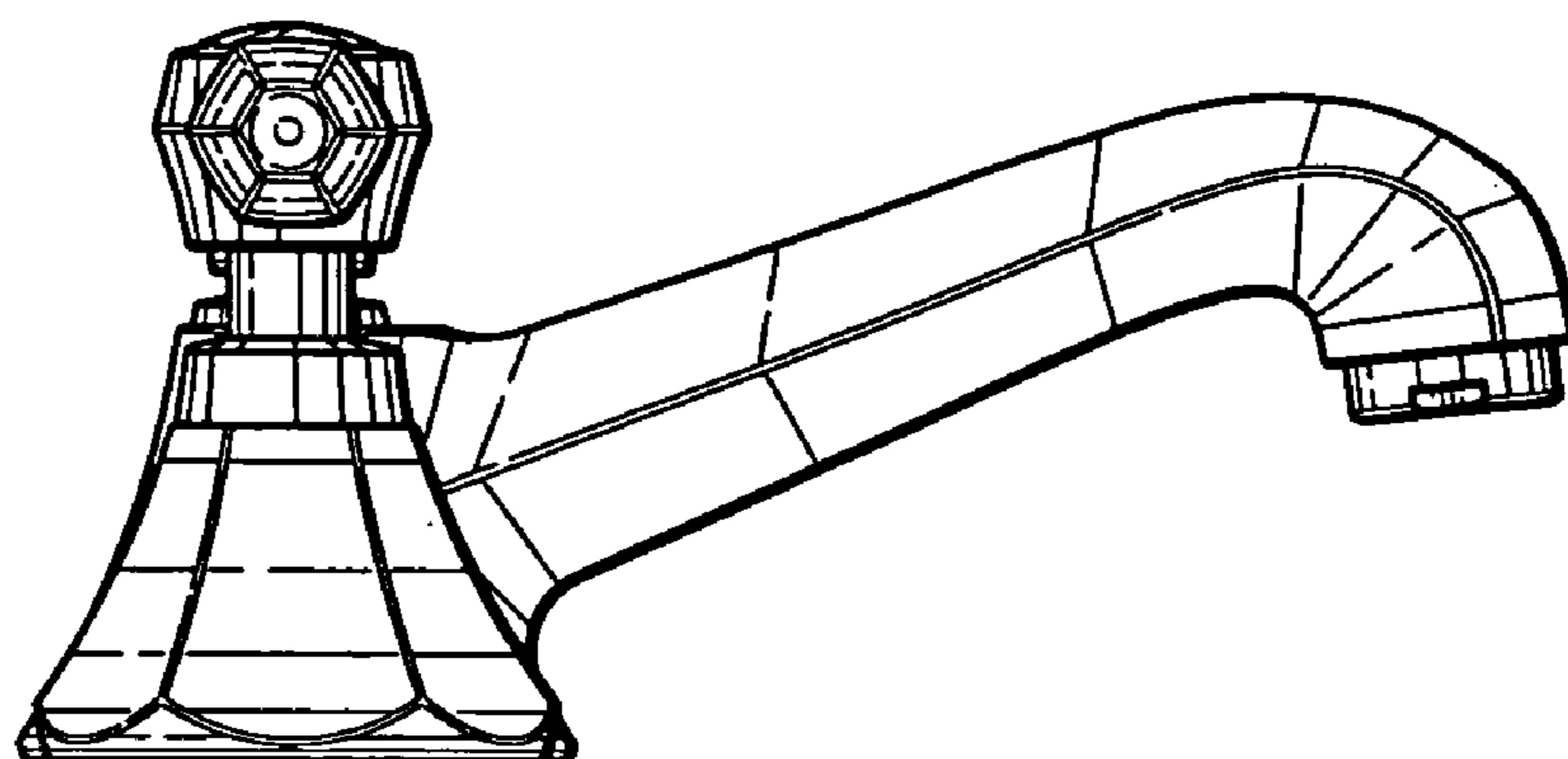
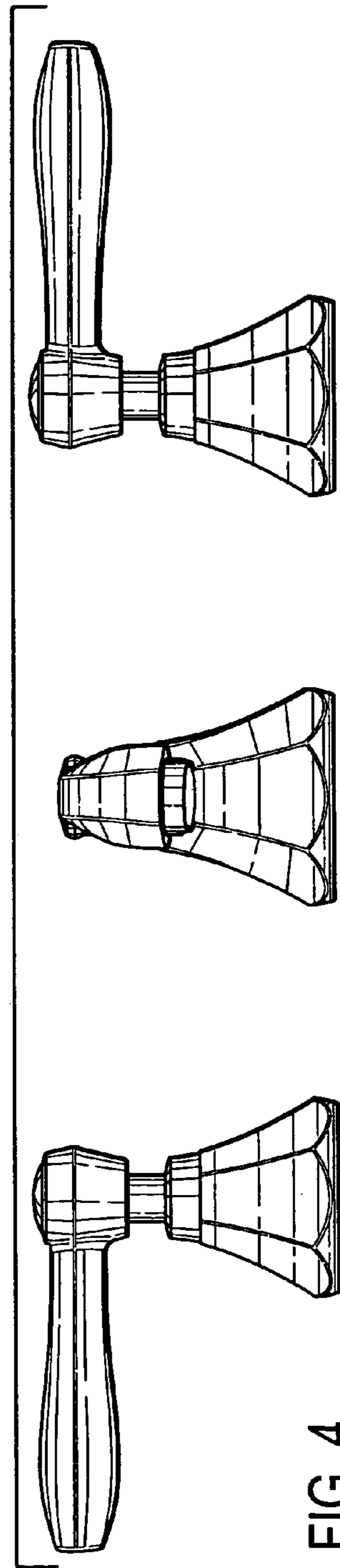
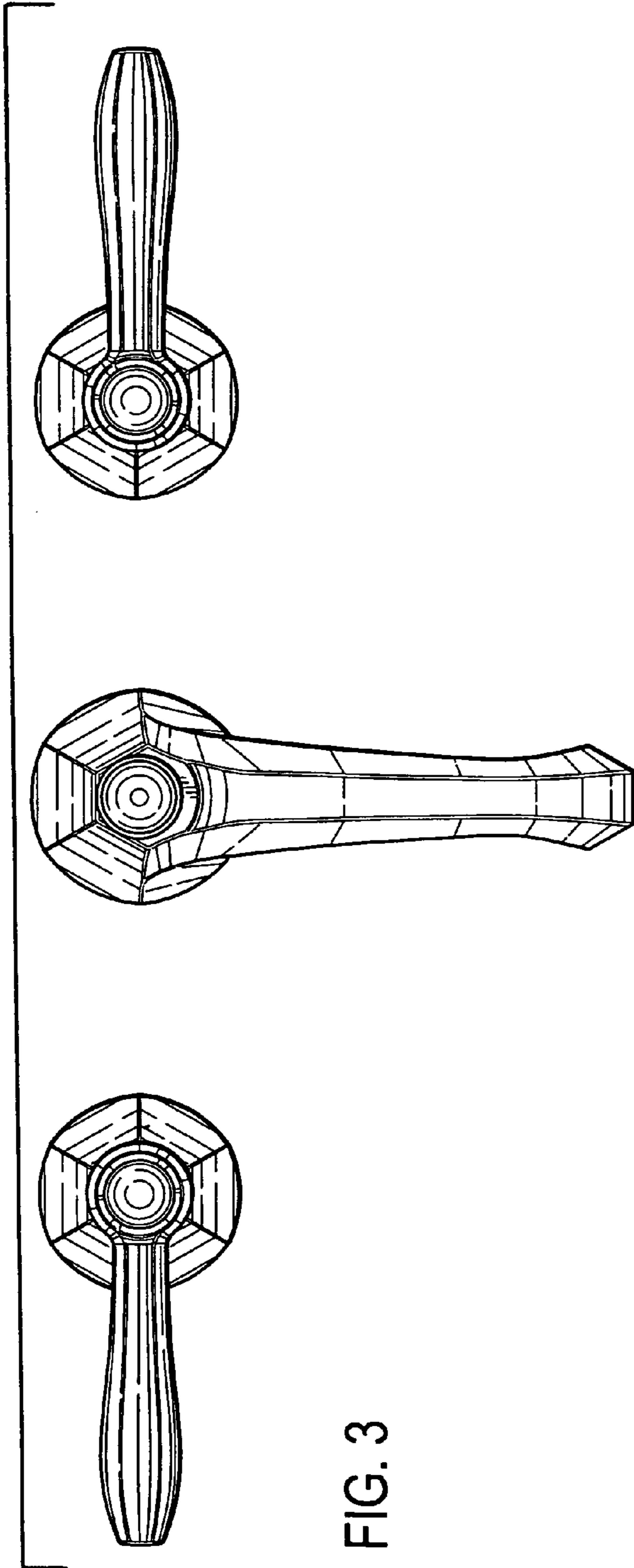


FIG. 1

FIG. 2





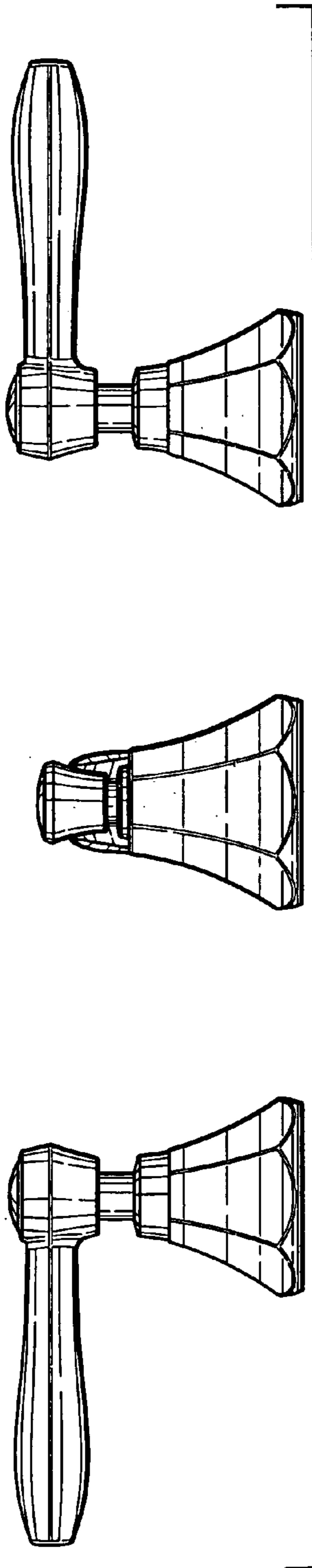


FIG. 5

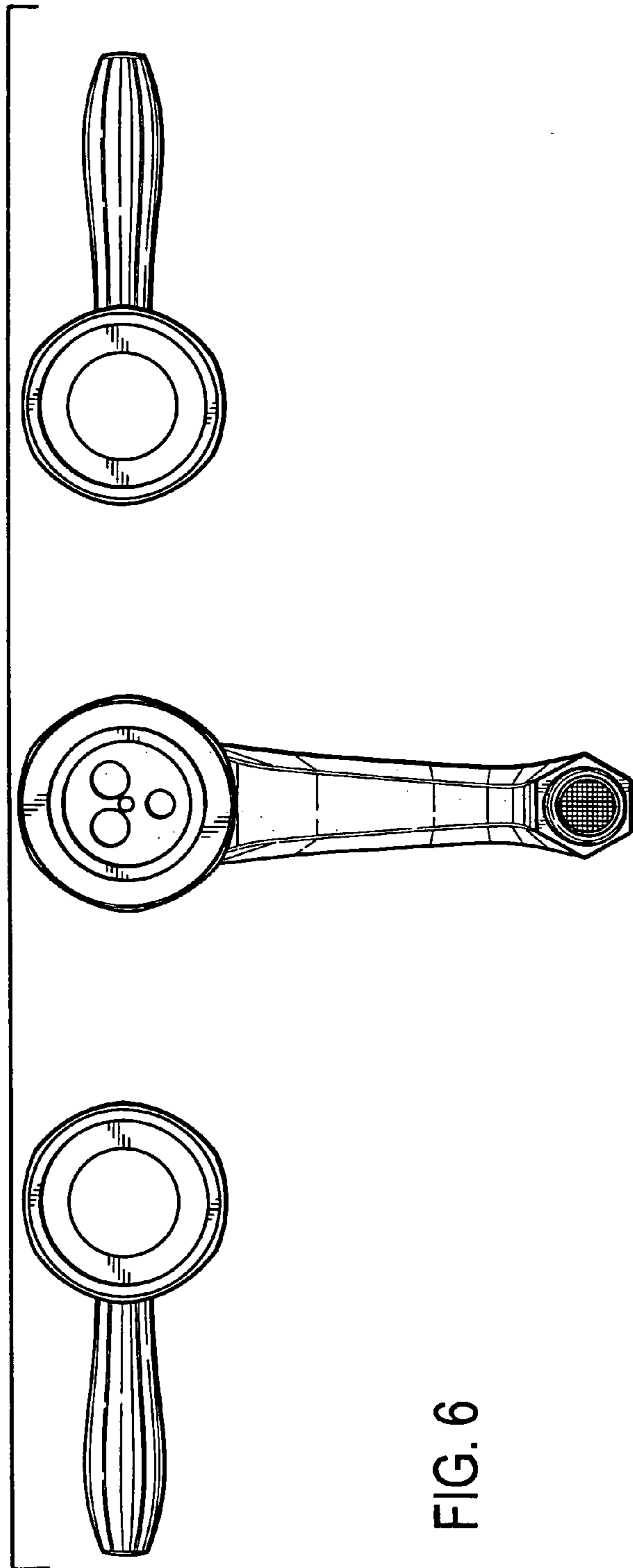


FIG. 6