



US00D563513S

(12) **United States Design Patent**
Mita et al.

(10) **Patent No.:** **US D563,513 S**
(45) **Date of Patent:** **** Mar. 4, 2008**

(54) **ELECTROMAGNETIC VALVE**

(75) Inventors: **Minchiko Mita**, Tsukubamirai (JP);
Hisataka Kato, Tsukubamirai (JP)

(73) Assignee: **SMC Corporation**, Chiyoda-ku, Tokyo
(JP)

(**) Term: **14 Years**

(21) Appl. No.: **29/272,703**

(22) Filed: **Feb. 14, 2007**

(30) **Foreign Application Priority Data**

Aug. 15, 2006 (JP) 2006-021743

(51) **LOC (8) Cl.** **23-01**

(52) **U.S. Cl.** **D23/233**

(58) **Field of Classification Search** D23/233-249;
D15/7, 199; 137/554, 557, 560, 882, 884,
137/343, 625.64, 269, 271; 251/331, 219,
251/15, 130, 129.04; 4/305

See application file for complete search history.

(56) **References Cited**

U.S. PATENT DOCUMENTS

D338,258 S * 8/1993 Tamaki D23/248
D409,279 S * 5/1999 Hayashi et al. D23/233
D416,309 S * 11/1999 Hayashi et al. D23/233
6,408,883 B2 * 6/2002 Motoki et al. 137/625.64
D524,910 S * 7/2006 Matsumoto et al. D23/233
D533,255 S * 12/2006 Miyazoe et al. D23/233

D544,577 S * 6/2007 Matsumoto et al. D23/233
D544,578 S * 6/2007 Matsumoto et al. D23/233
D546,420 S * 7/2007 Matsumoto et al. D23/233
7,246,863 B2 * 7/2007 Otsuka 303/119.3
7,273,206 B2 * 9/2007 Sato et al. 251/129.15

* cited by examiner

Primary Examiner—Ian Simmons

Assistant Examiner—Maurice Stevens

(74) *Attorney, Agent, or Firm*—Peter Ganjian

(57) **CLAIM**

The ornamental design for an electromagnetic valve, as shown and described.

DESCRIPTION

FIG. 1 shows a front view of an electromagnetic valve showing my new design;

FIG. 2 shows a rear view thereof;

FIG. 3 shows a top view thereof;

FIG. 4 shows a bottom view thereof;

FIG. 5 shows a left side view thereof;

FIG. 6 shows a right side view thereof;

FIG. 7 shows a perspective view thereof; and,

FIG. 8 shows a perspective view thereof.

The prongs are shown broken in the middle to show indeterminate length.

1 Claim, 4 Drawing Sheets

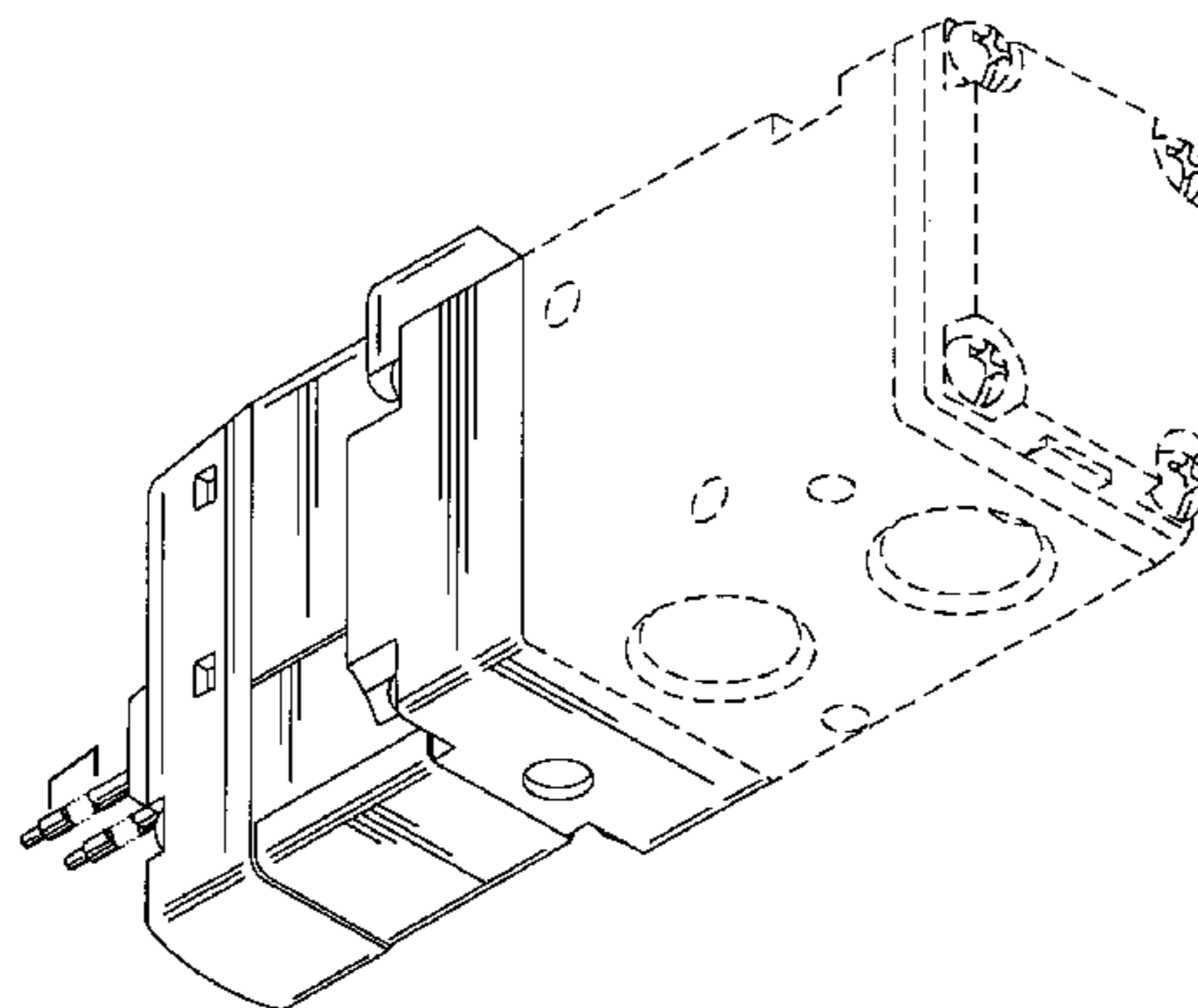
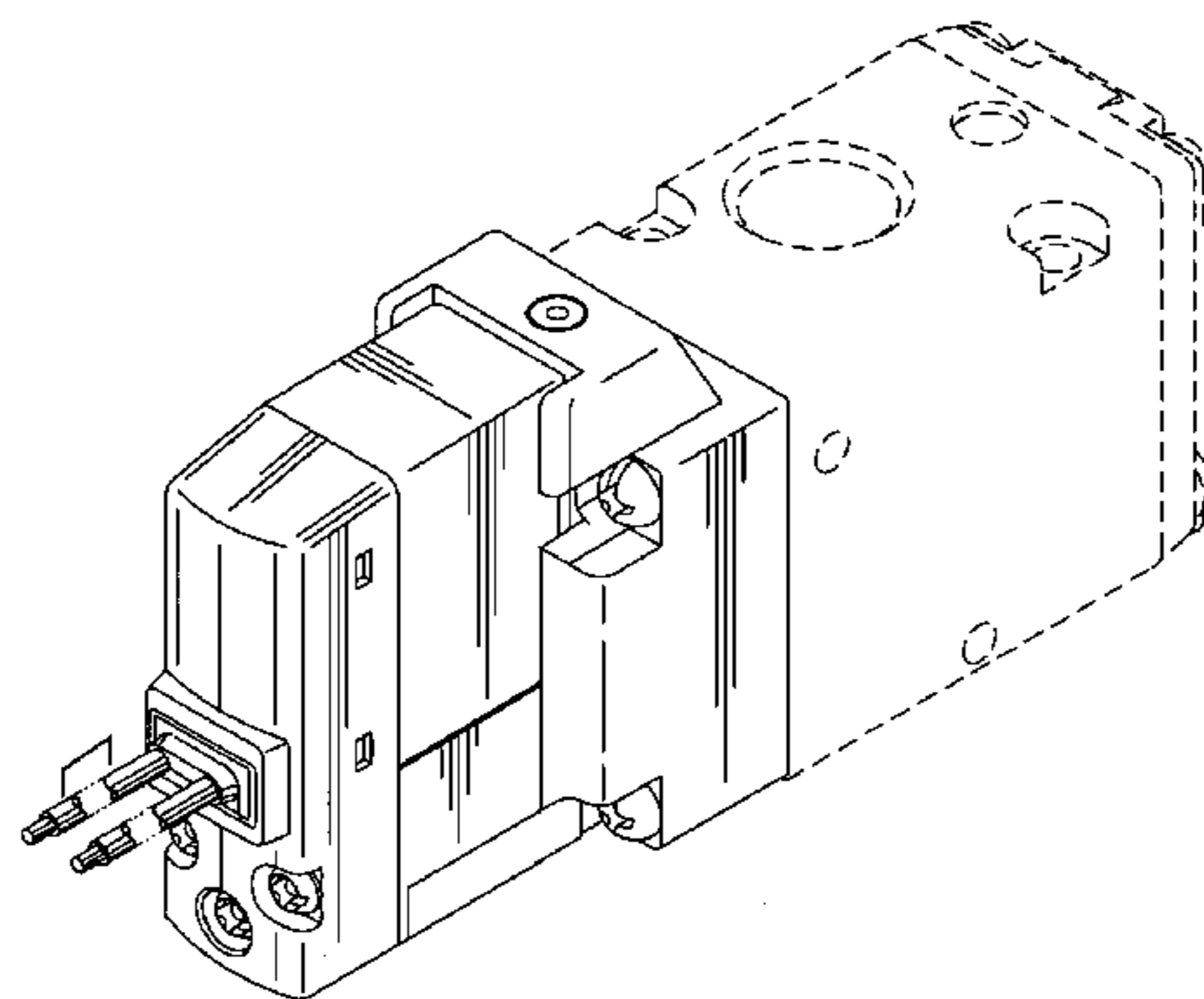


FIG. 1

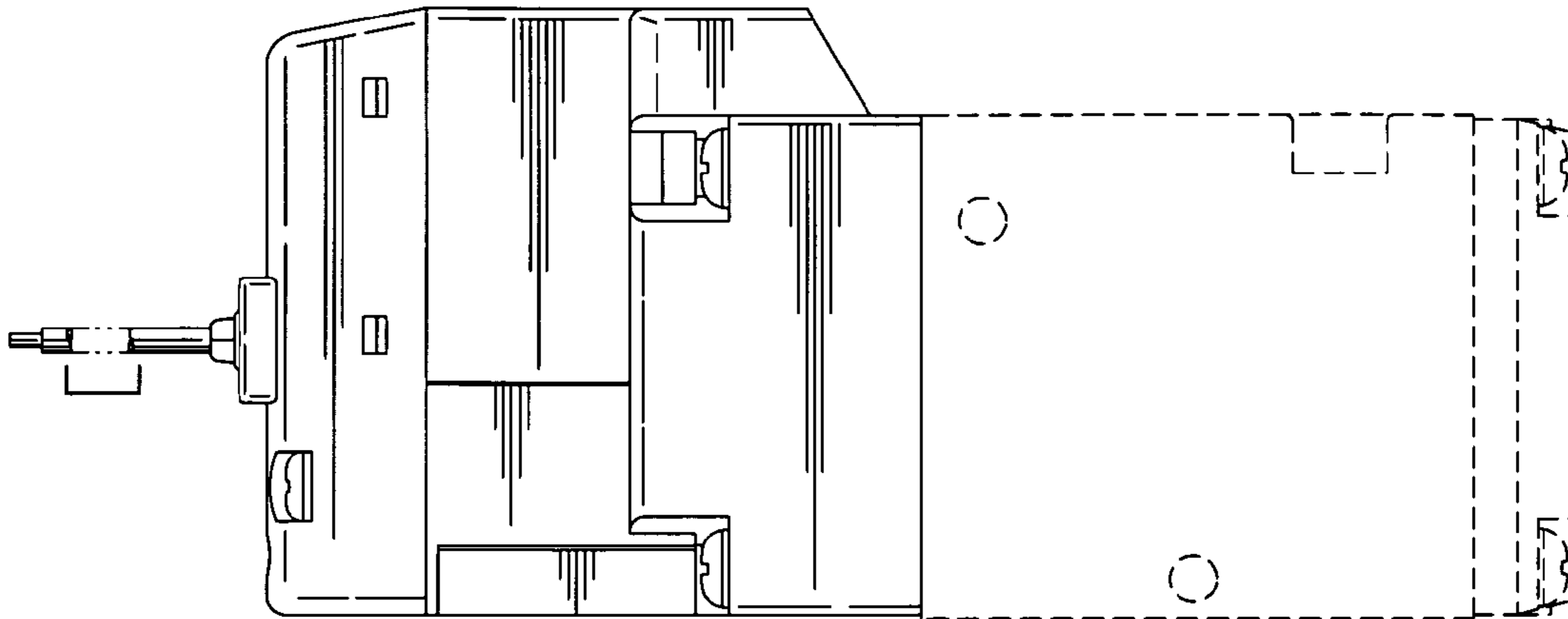


FIG. 2

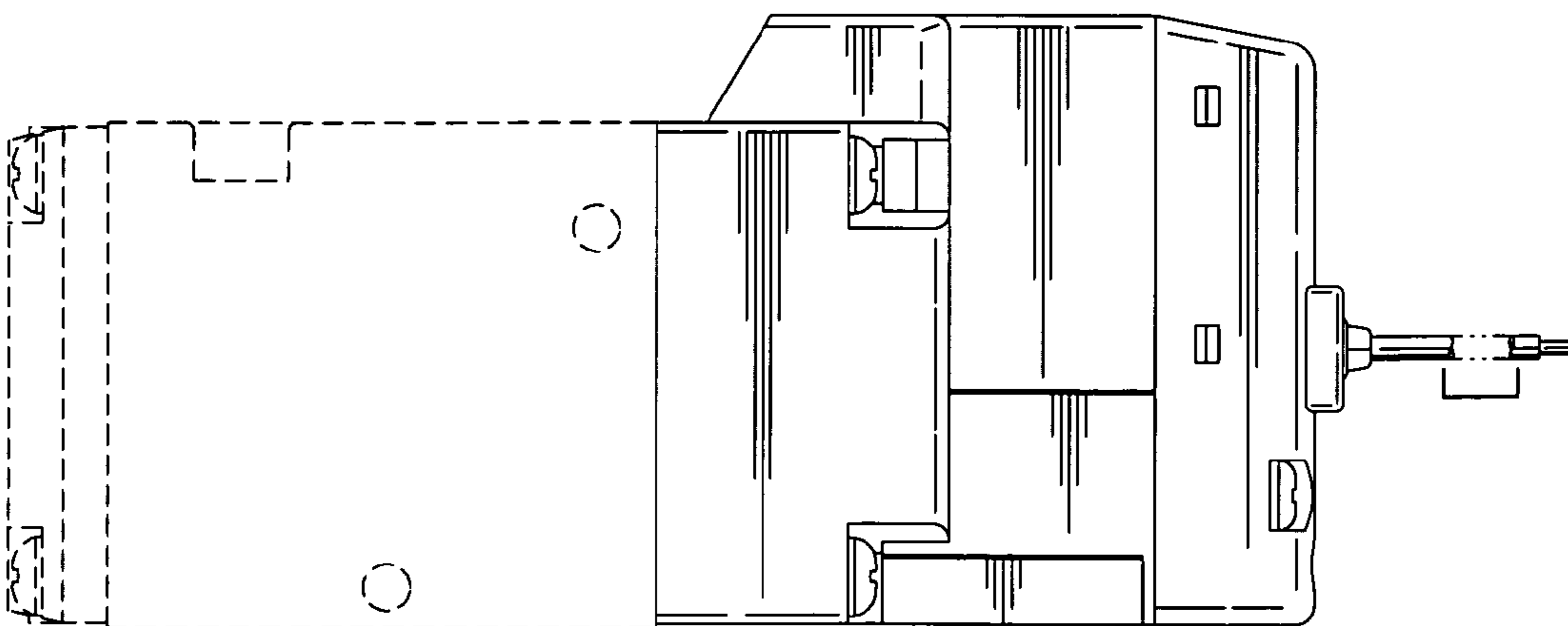


FIG. 3

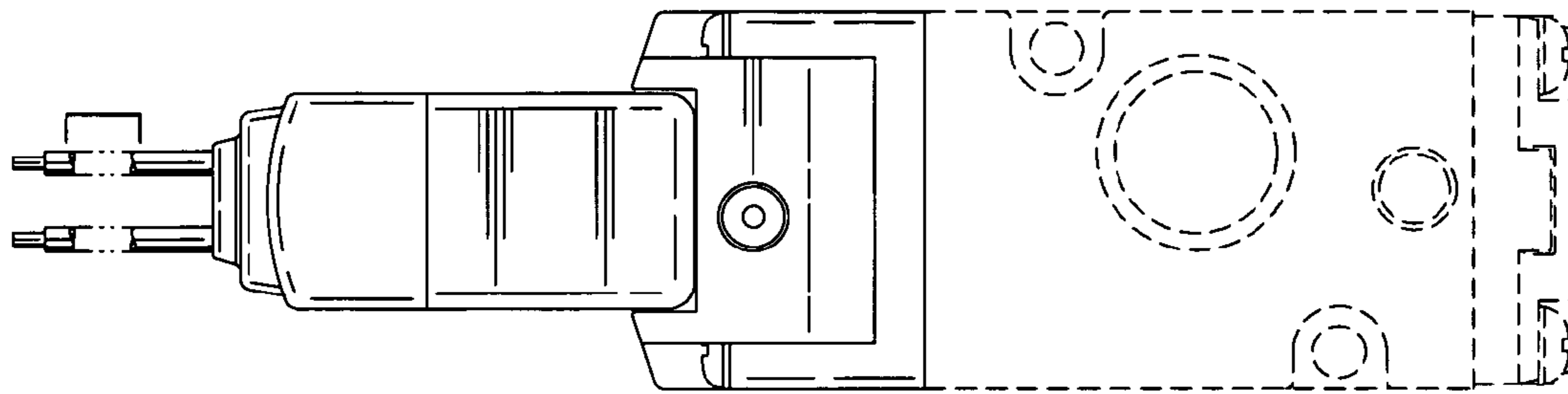


FIG. 4

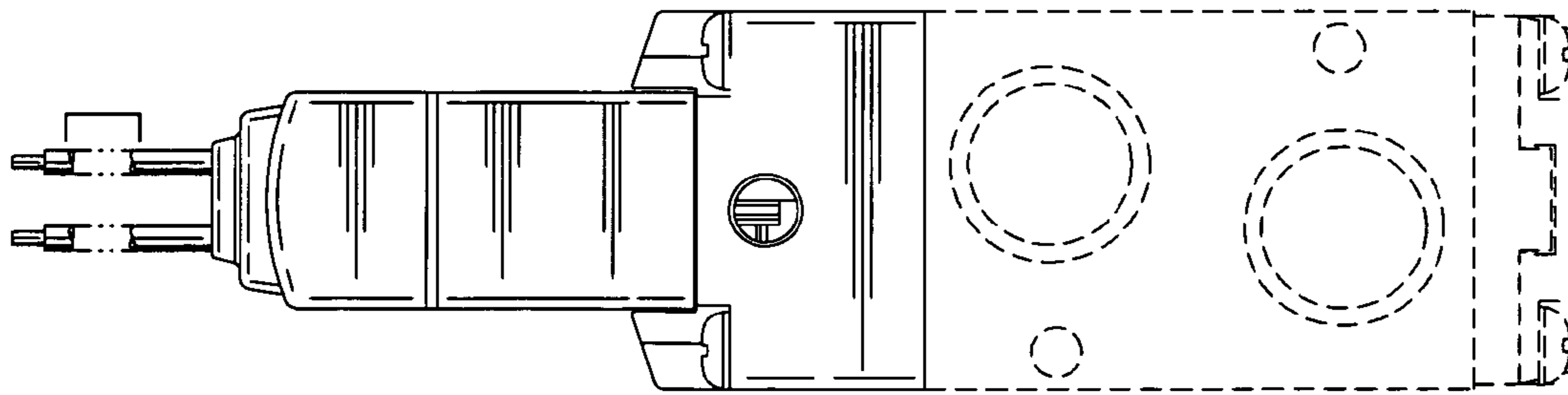


FIG. 5

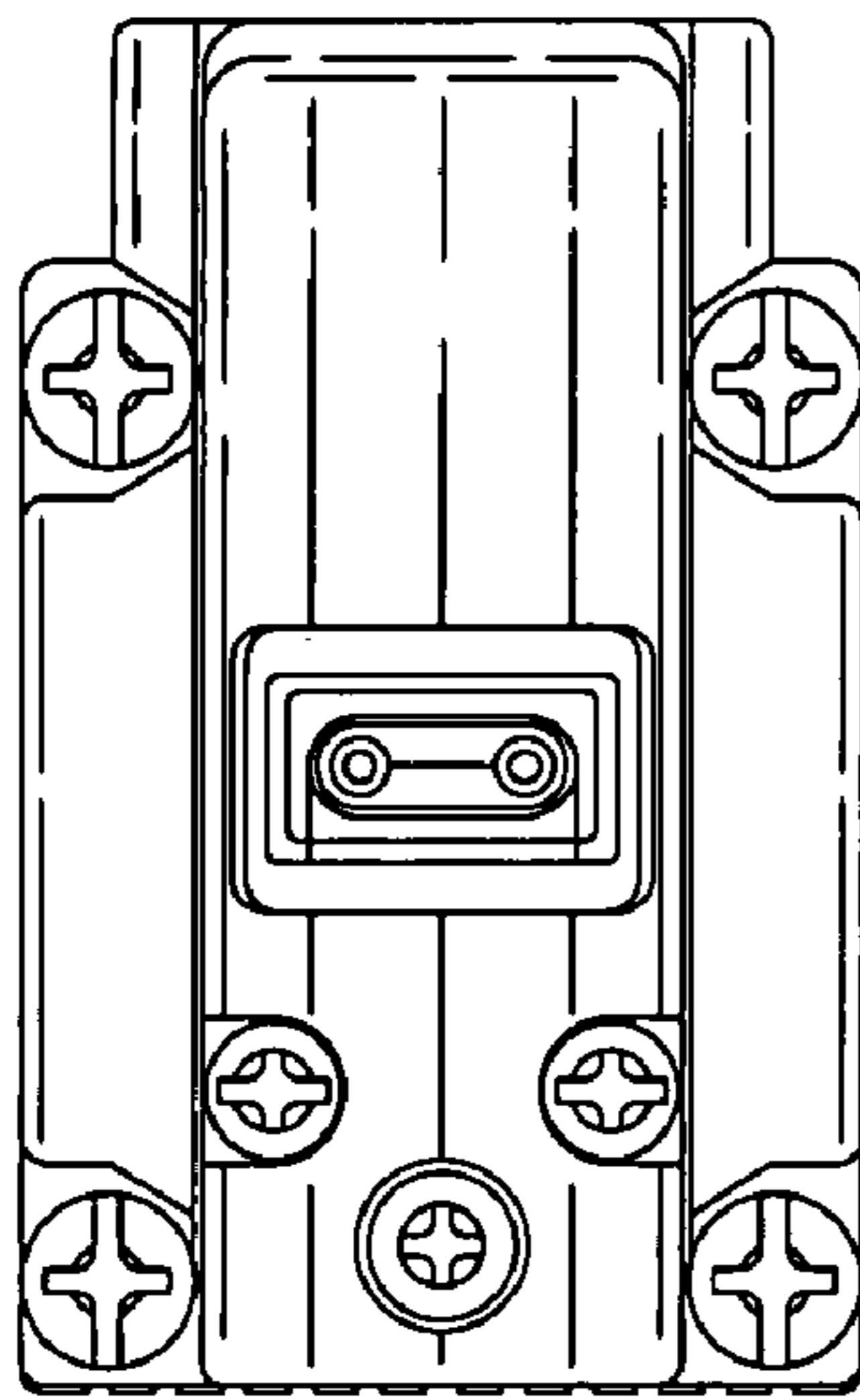


FIG. 6

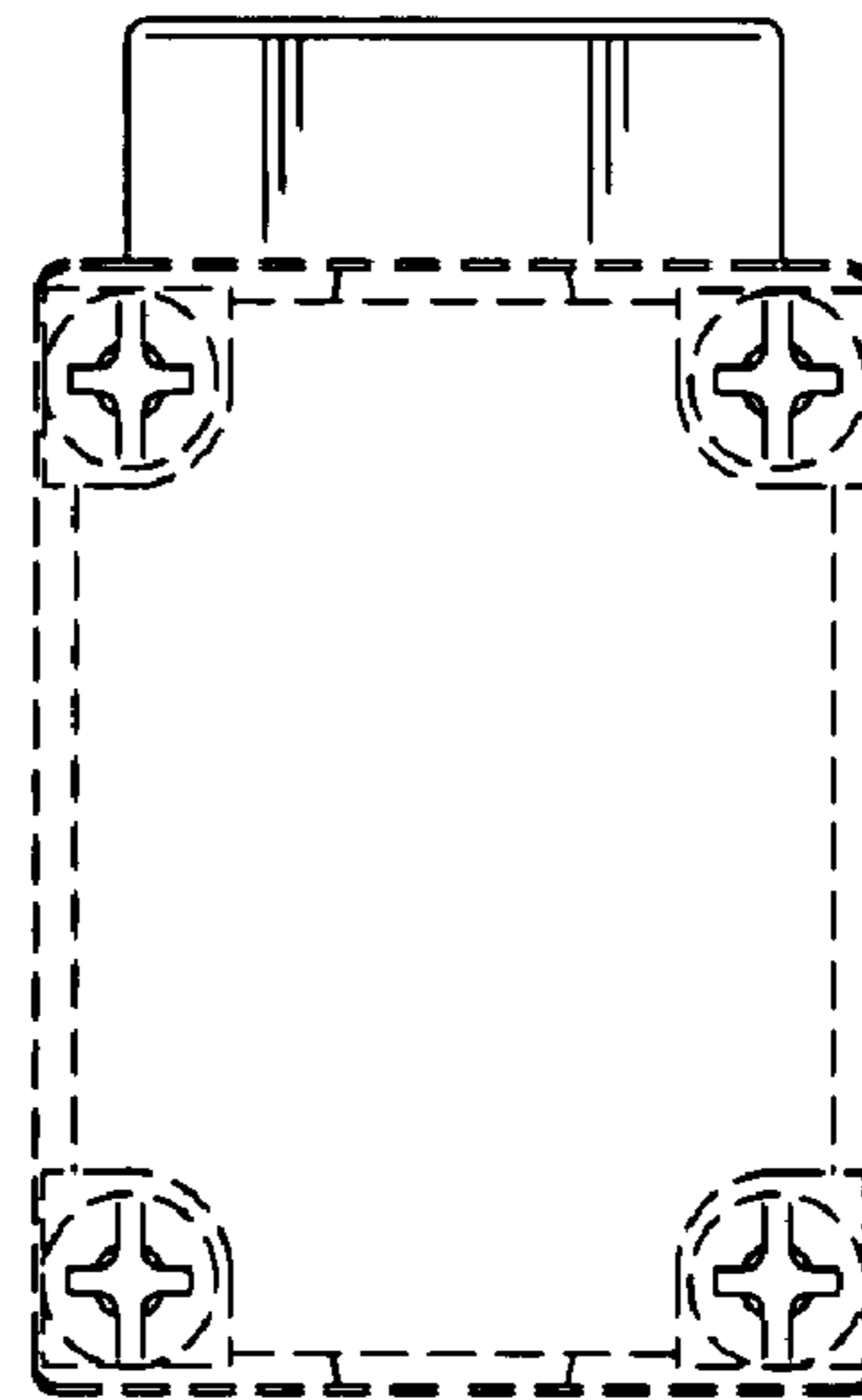


FIG. 7

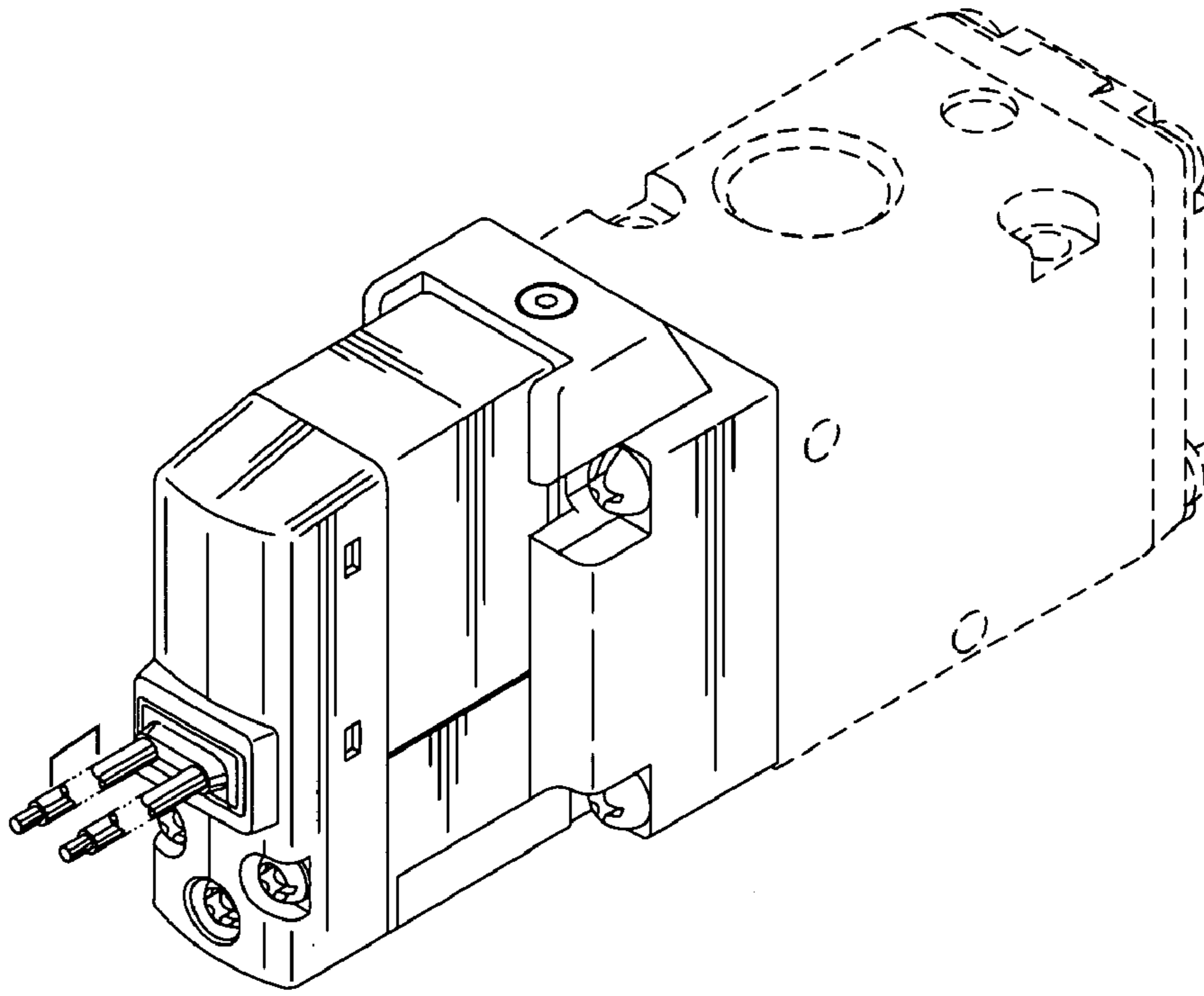


FIG. 8

