

US00D563505S

(12) **United States Design Patent**  
**Schmon et al.**

(10) **Patent No.:** **US D563,505 S**  
(45) **Date of Patent:** **\*\* Mar. 4, 2008**

(54) **PAINT SPRAY GUN**

7,017,838 B2 3/2006 Schmon

(75) Inventors: **Ewald Schmon**, Grafenberg (DE);  
**Albrecht Kruse**, Fichtestrasse (DE)

*Primary Examiner*—Robin V. Webster  
(74) *Attorney, Agent, or Firm*—Martin Fleit; Paul D. Bianco; Fleit Kain Gibbons Gutman Bongini & Bianco P.L.

(73) Assignee: **SATA GmbH & Co. KG**,  
Kornwestheim (DE)

(57) **CLAIM**

(\*\*) Term: **14 Years**

The ornamental design for a paint spray gun, as shown and described.

(21) Appl. No.: **29/281,972**

(22) Filed: **Jul. 9, 2007**

**Related U.S. Application Data**

(62) Division of application No. 29/252,716, filed on Jan. 26, 2006, now Pat. No. Des. 552,213.

**DESCRIPTION**

FIG. 1 is a front perspective view of a first paint spray gun of the subject invention;

FIG. 2 is a front view thereof;

FIG. 3 is a rear view thereof;

FIG. 4 is a first side view thereof;

FIG. 5 is a second view thereof;

FIG. 6 is a top view thereof;

FIG. 7 is a bottom view thereof;

FIG. 8 is a front perspective view of a second paint spray gun of the subject invention;

FIG. 9 is a front view thereof;

FIG. 10 is a rear view thereof;

FIG. 11 is a first side view thereof;

FIG. 12 is a second side view thereof;

FIG. 13 is a top view thereof; and,

FIG. 14 is a bottom view thereof.

(30) **Foreign Application Priority Data**

Jul. 28, 2005 (EP) ..... 000 378 815

(51) **LOC (8) Cl.** ..... **23-01**

(52) **U.S. Cl.** ..... **D23/226**

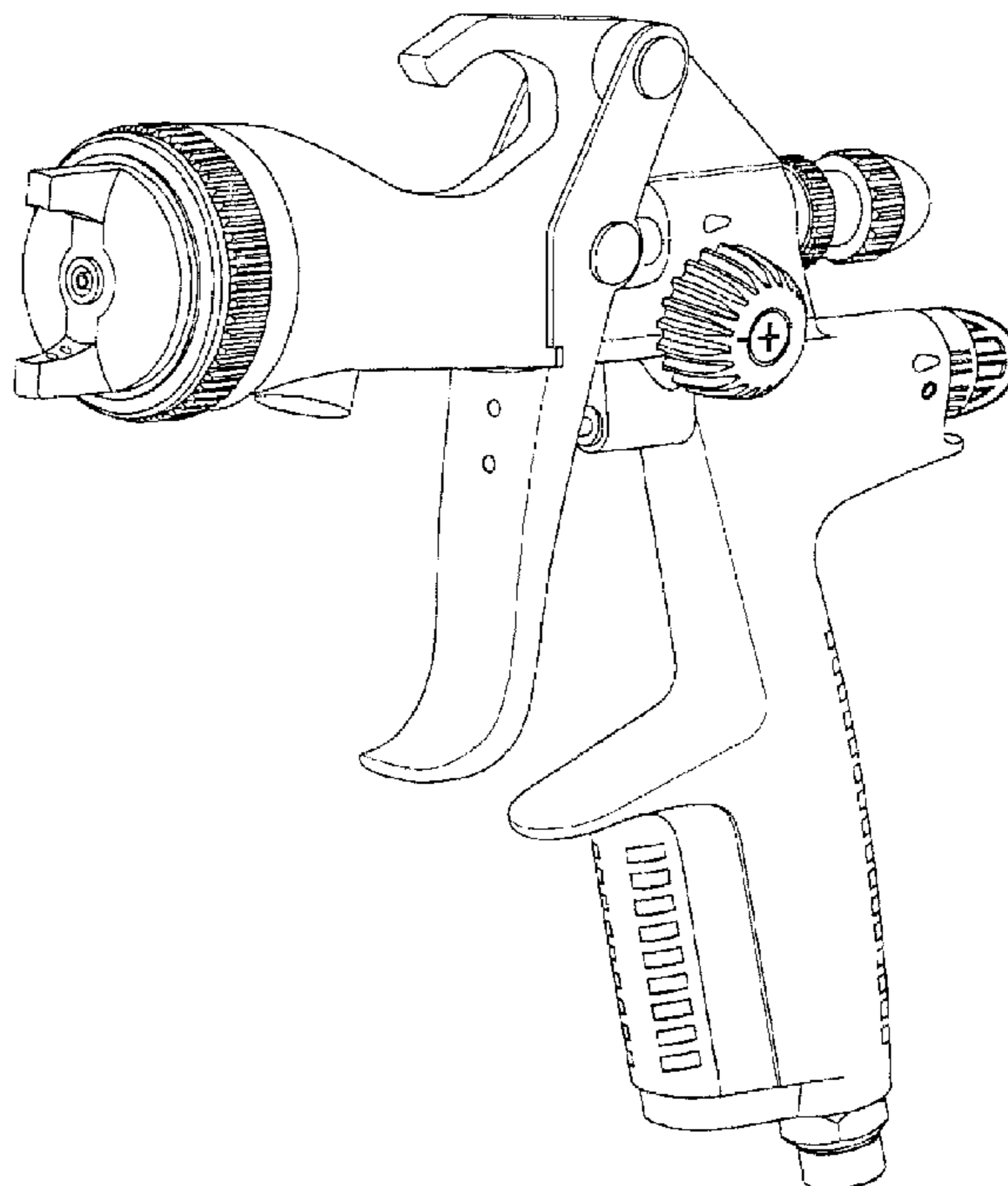
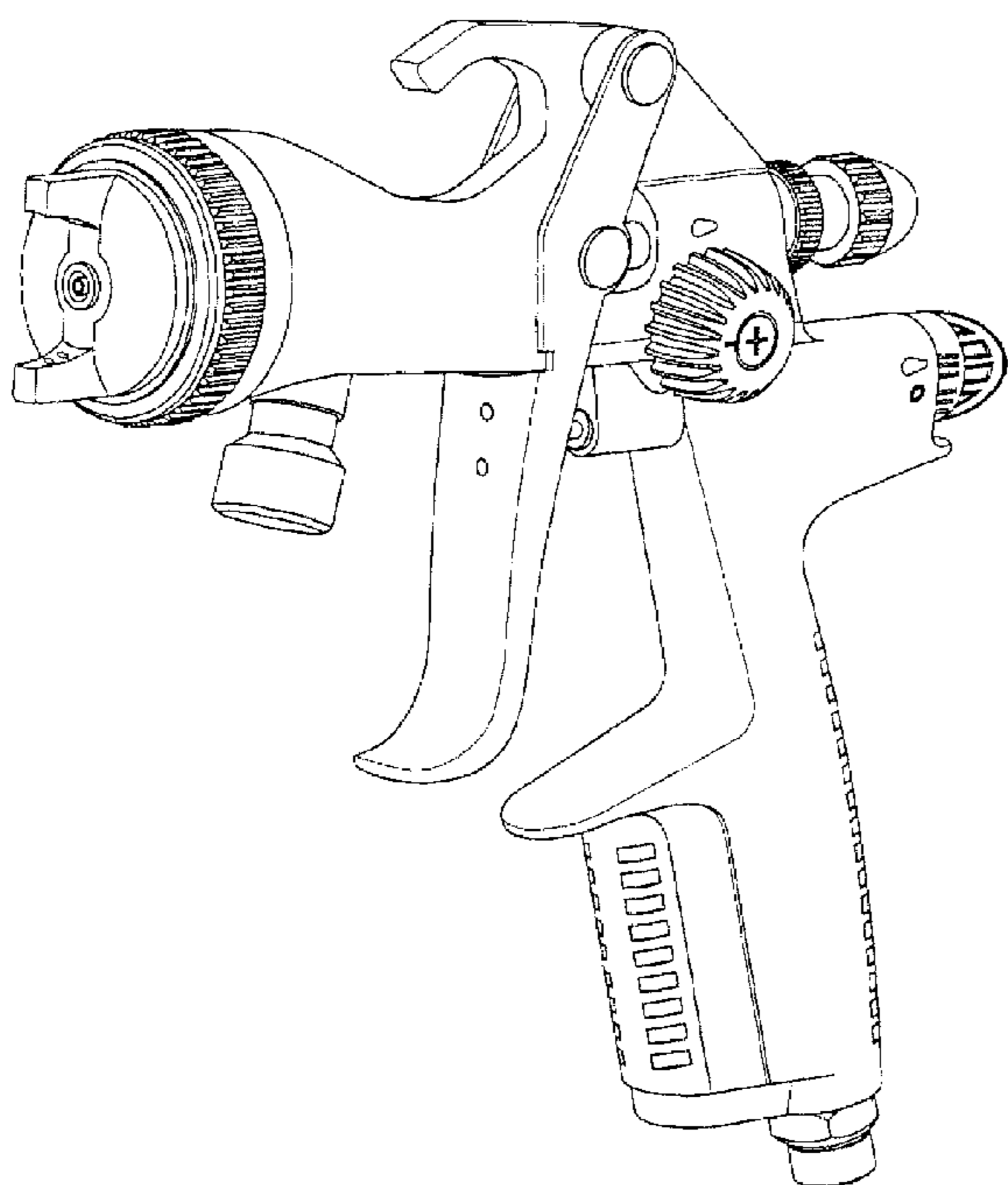
(58) **Field of Classification Search** ..... D23/213,  
D23/223, 226; 239/525–527, 690–691  
See application file for complete search history.

(56) **References Cited**

**U.S. PATENT DOCUMENTS**

D314,421 S 2/1991 Tajima et al.  
D405,503 S 2/1999 Edo  
6,585,173 B2 7/2003 Schmon et al.  
6,626,383 B1 9/2003 Campbell

**1 Claim, 14 Drawing Sheets**



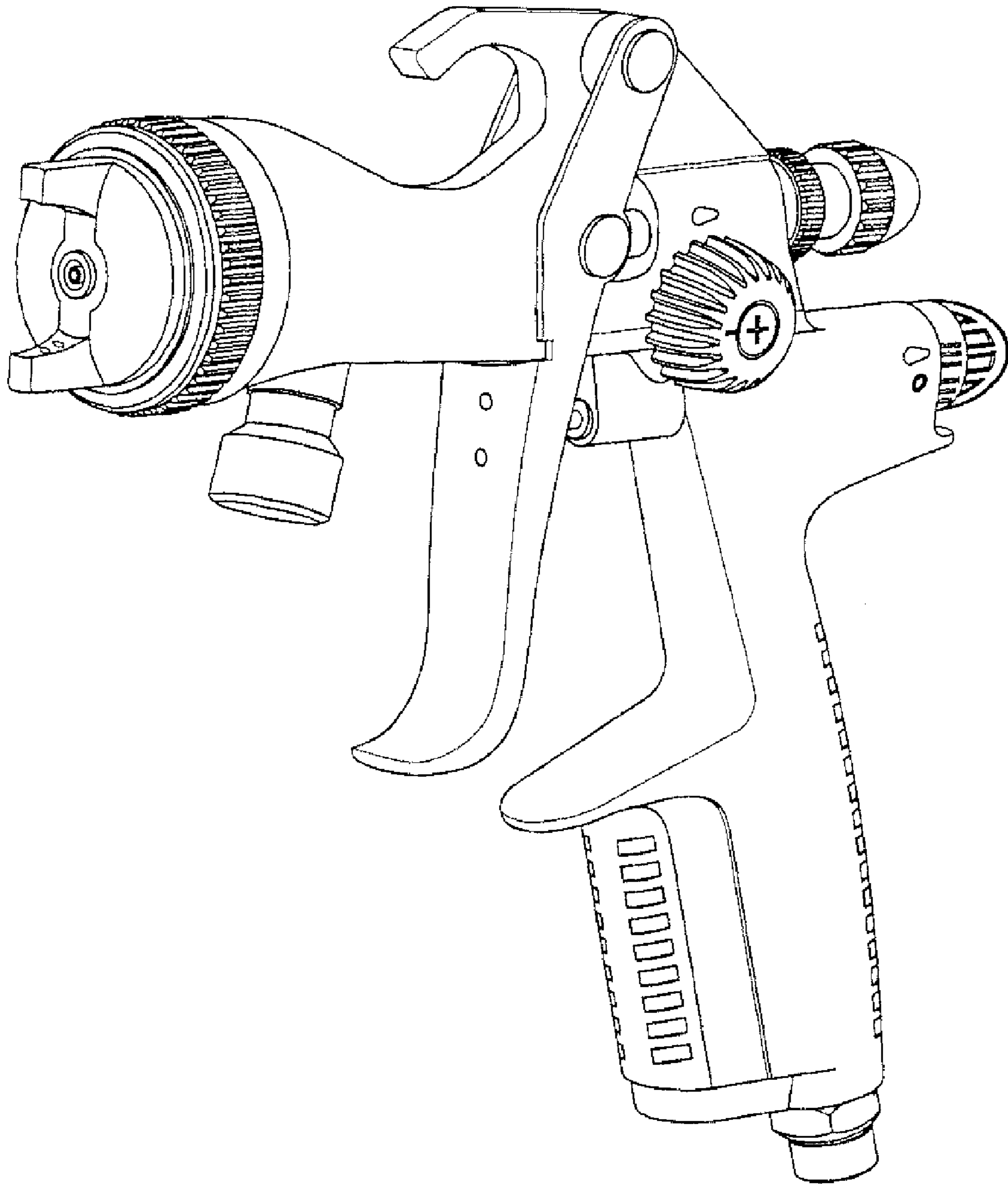


FIG. 1

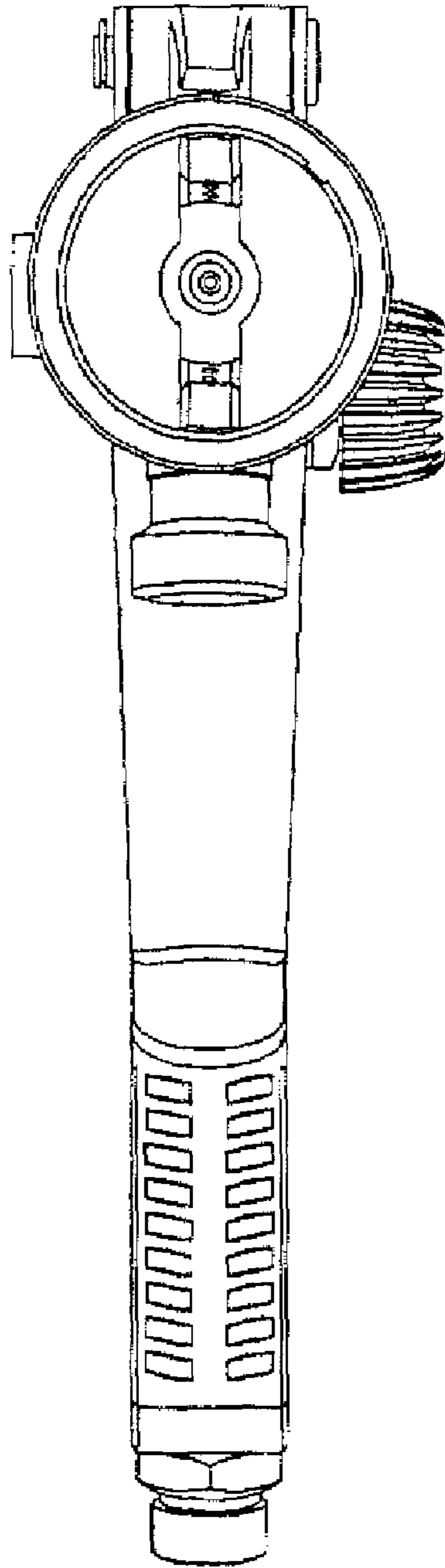


FIG. 2

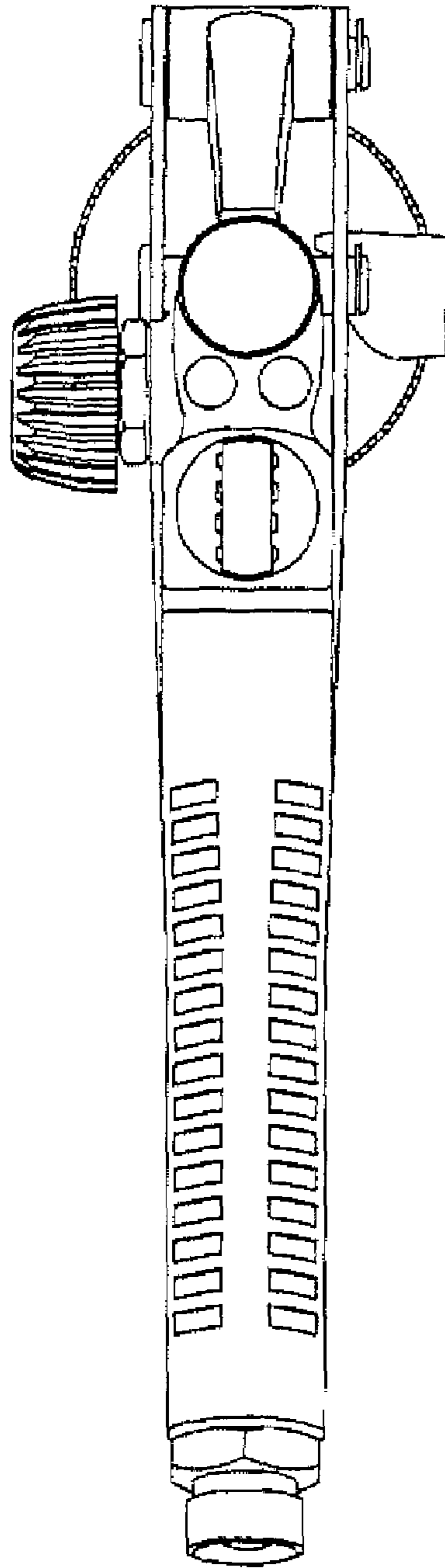


FIG. 3

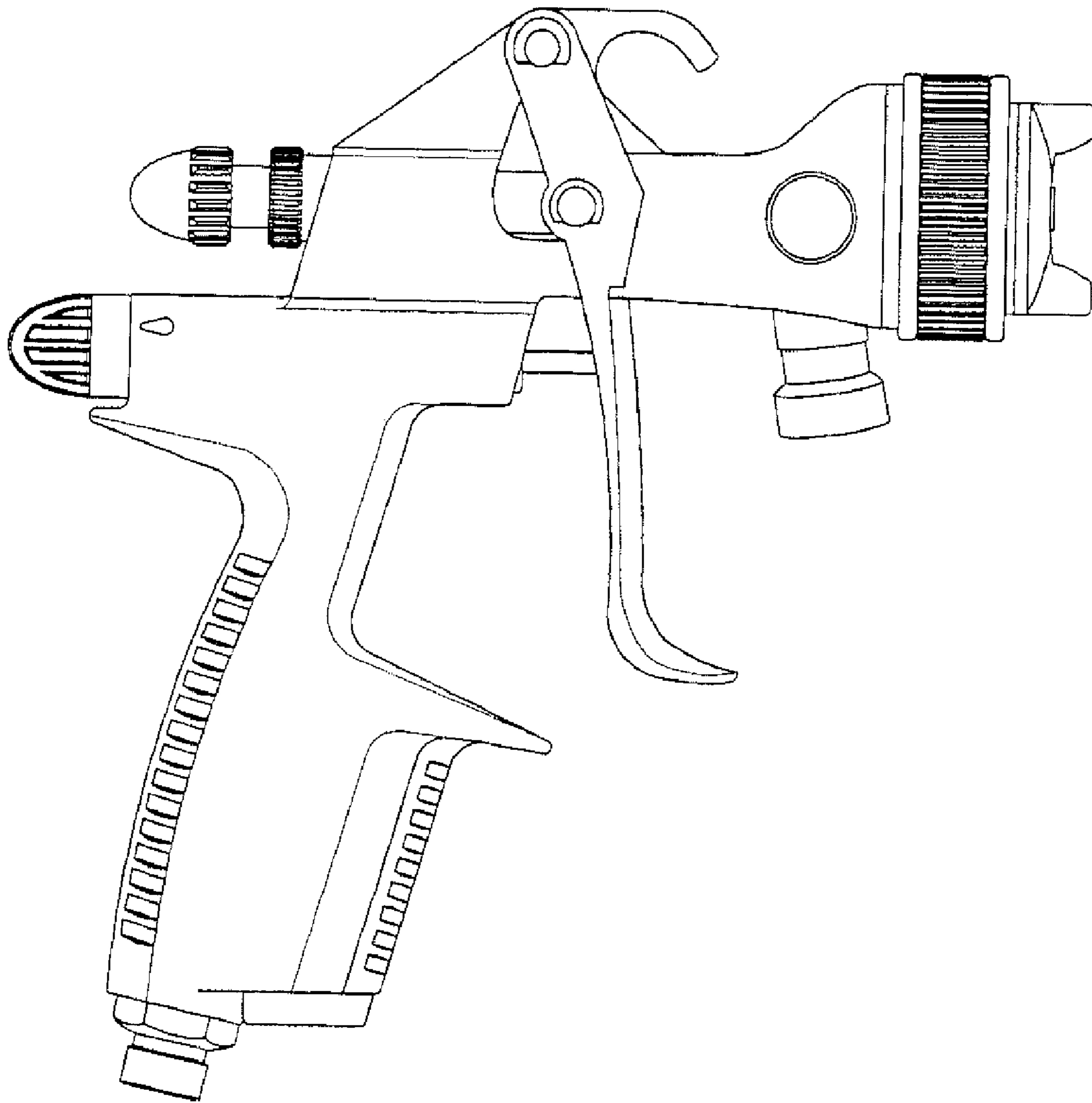


FIG. 4

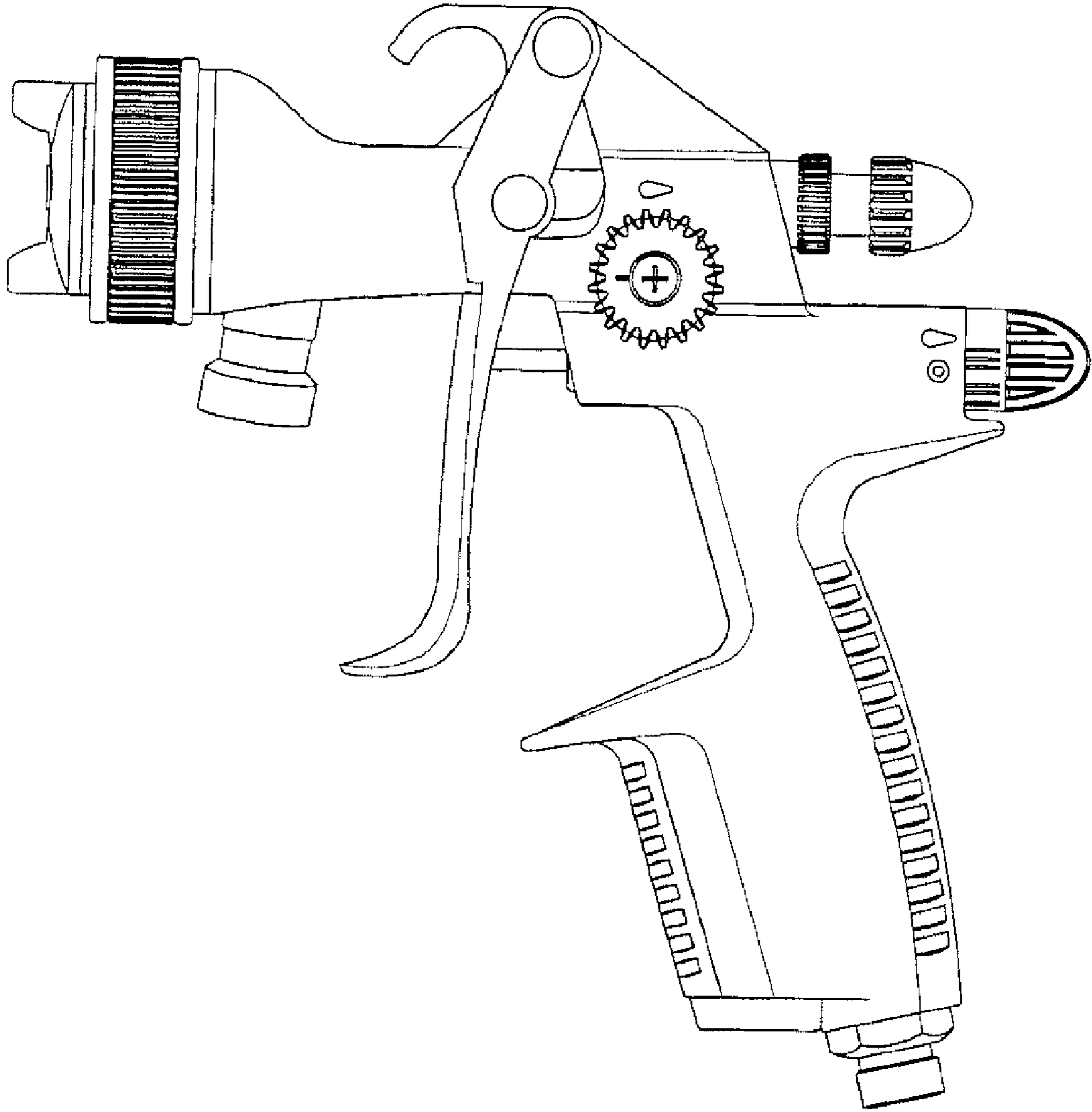


FIG. 5

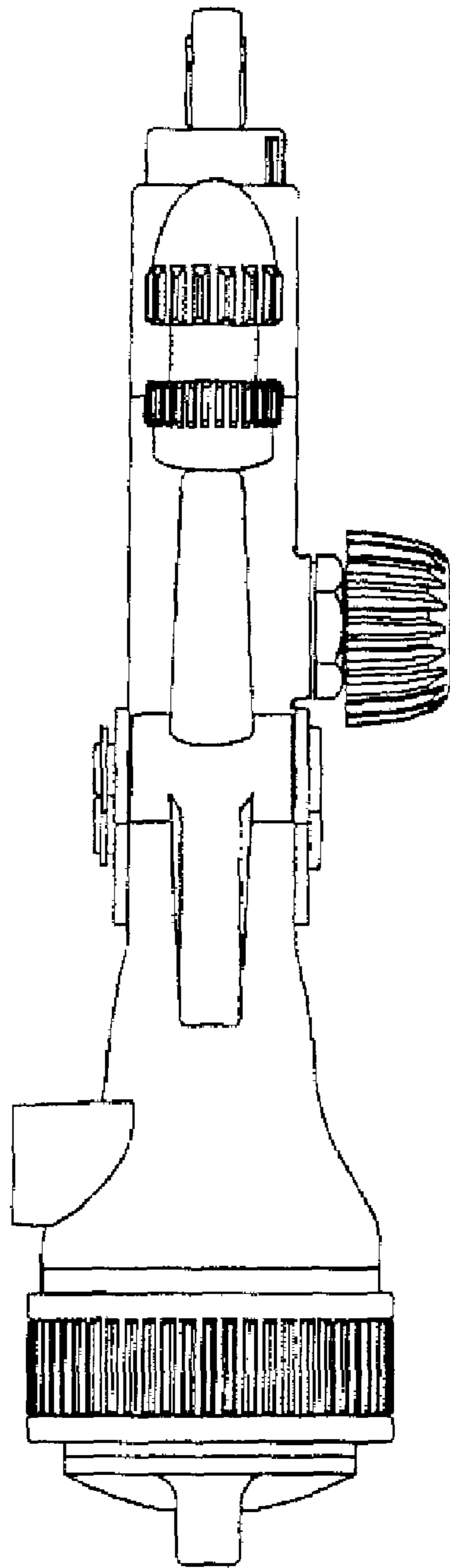


FIG. 6

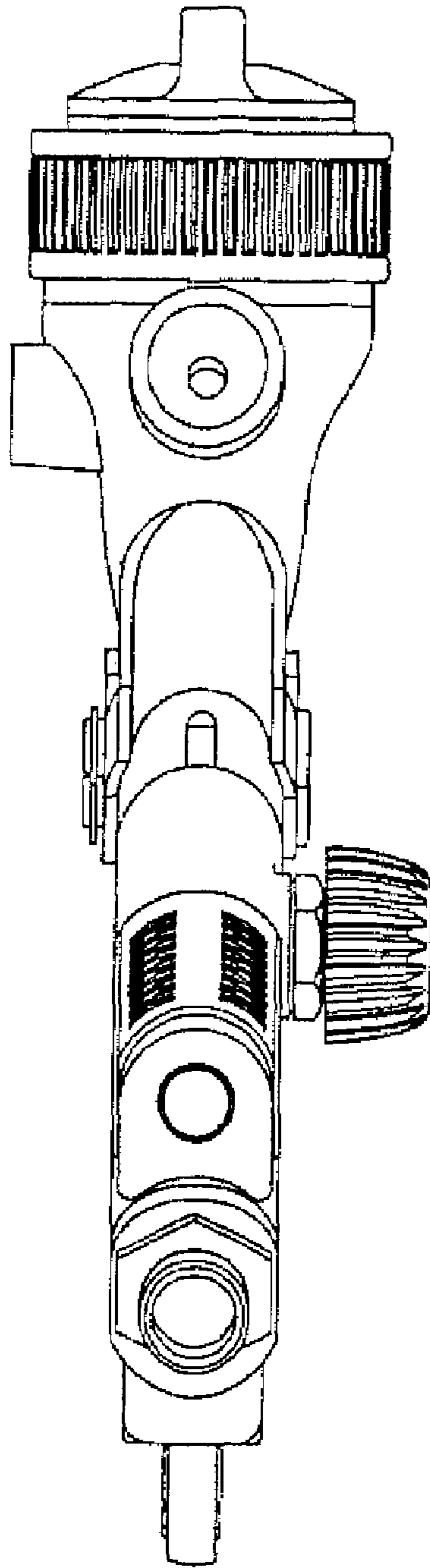


FIG. 7



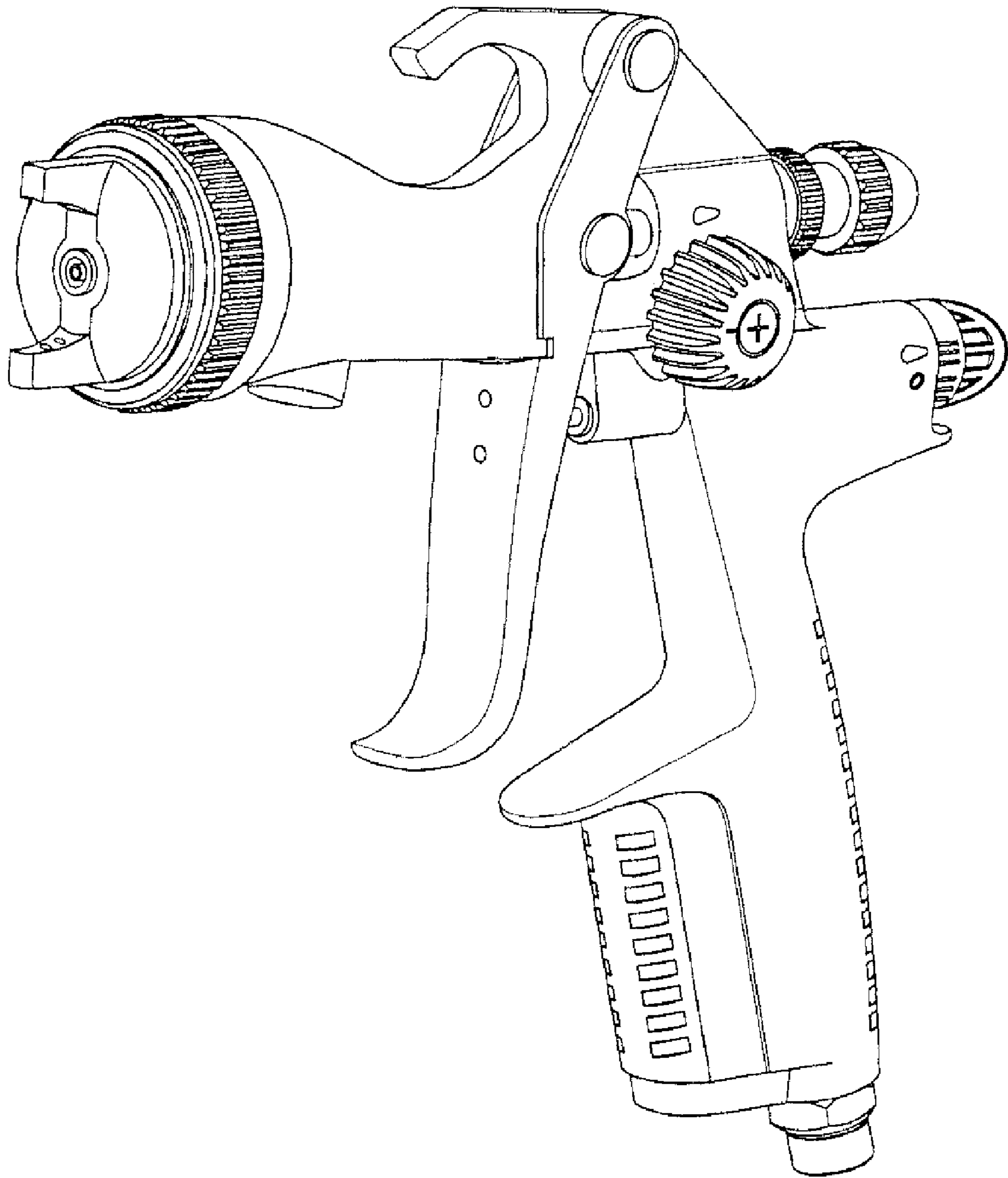


FIG. 8

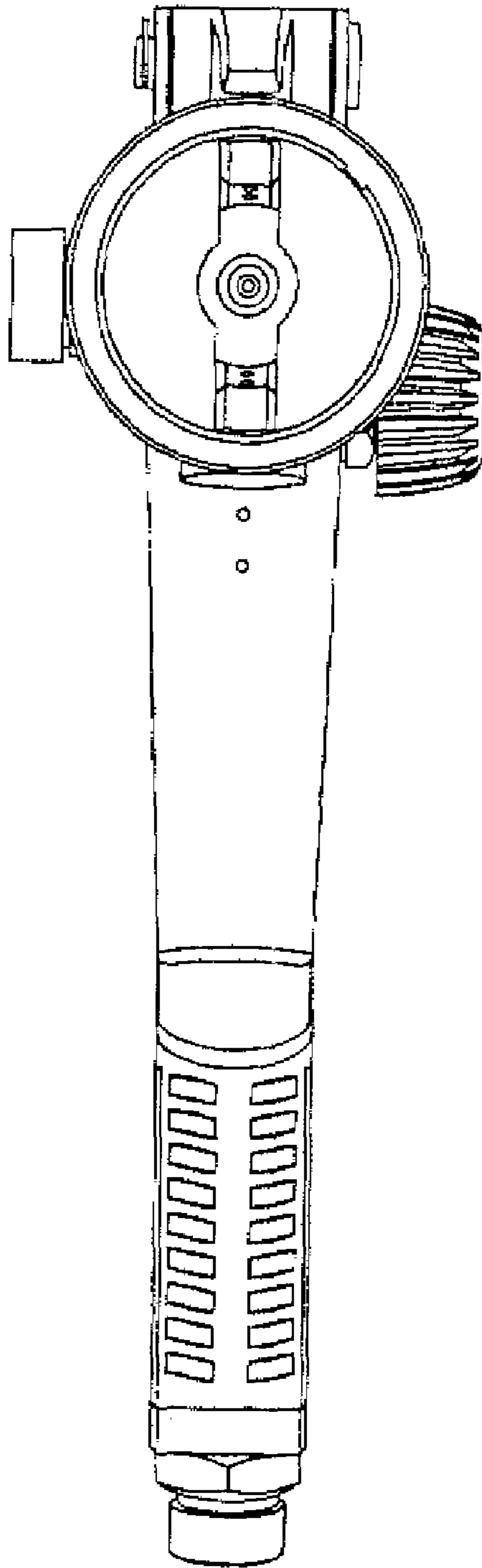


FIG. 9

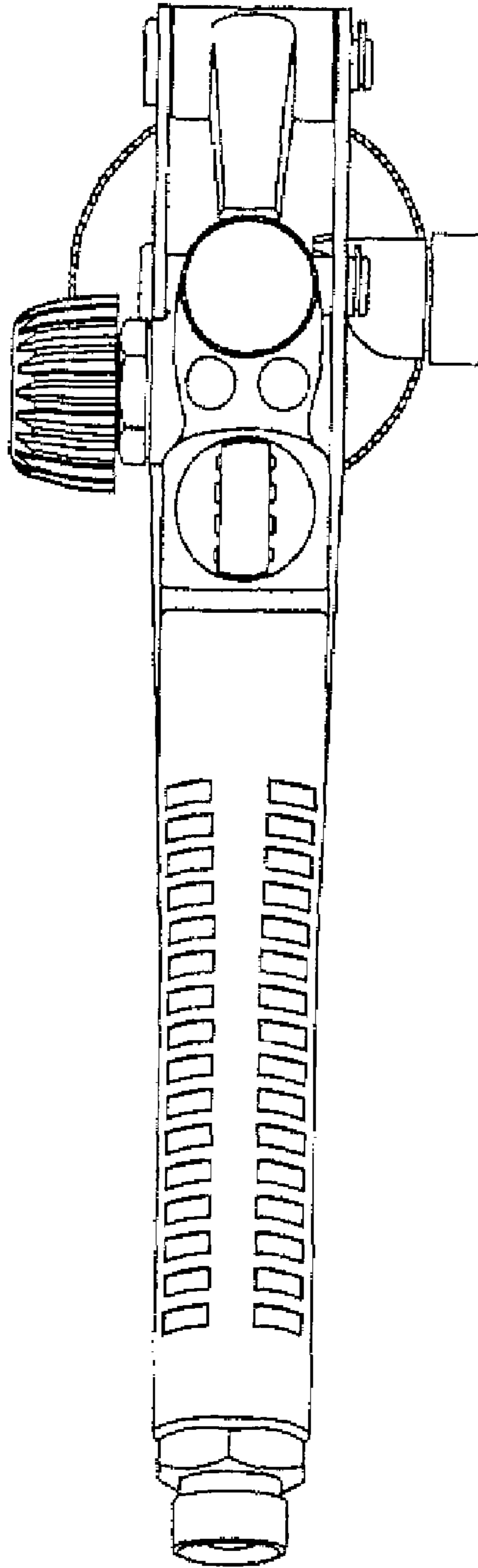


FIG. 10

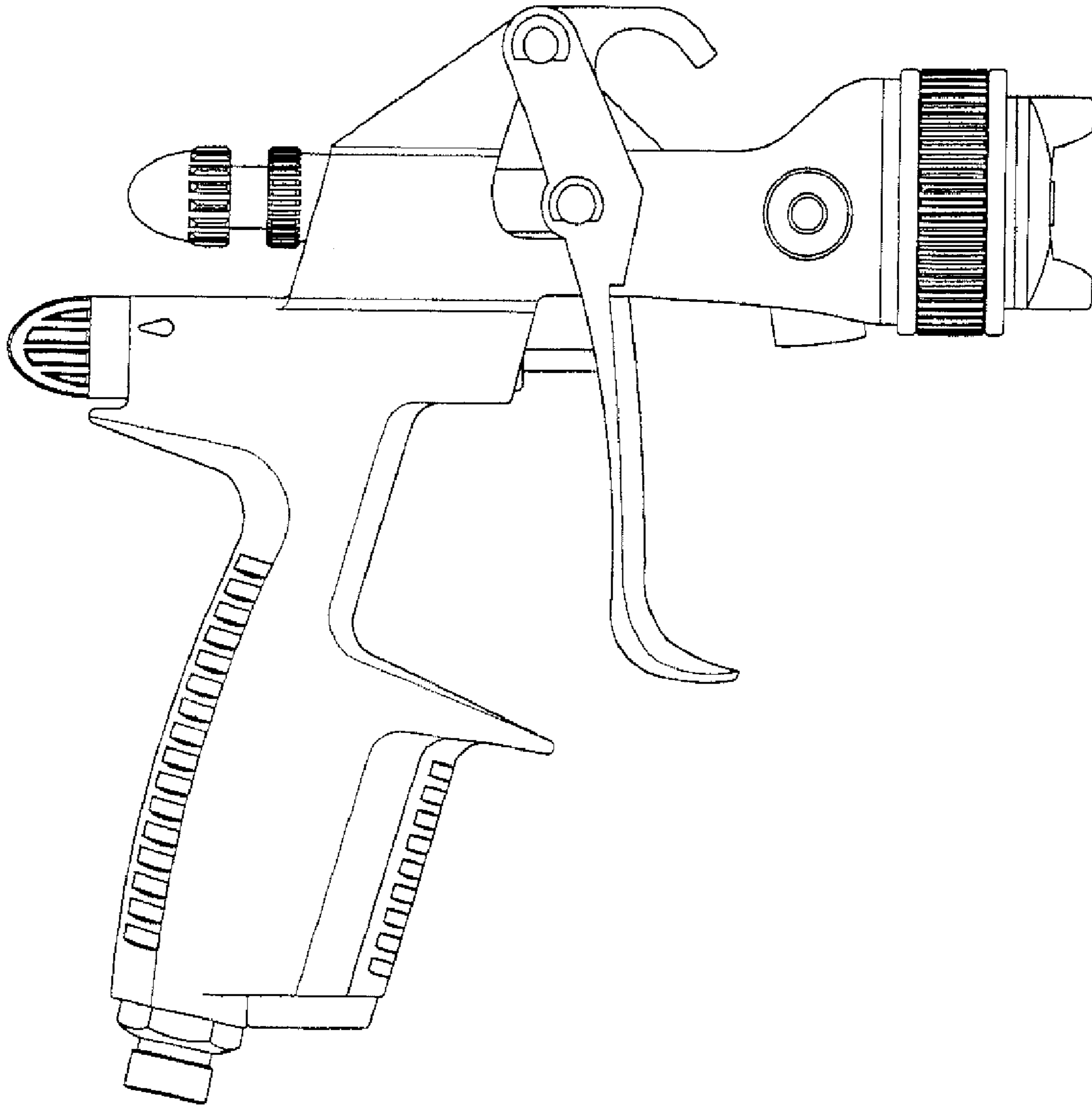


FIG. 11

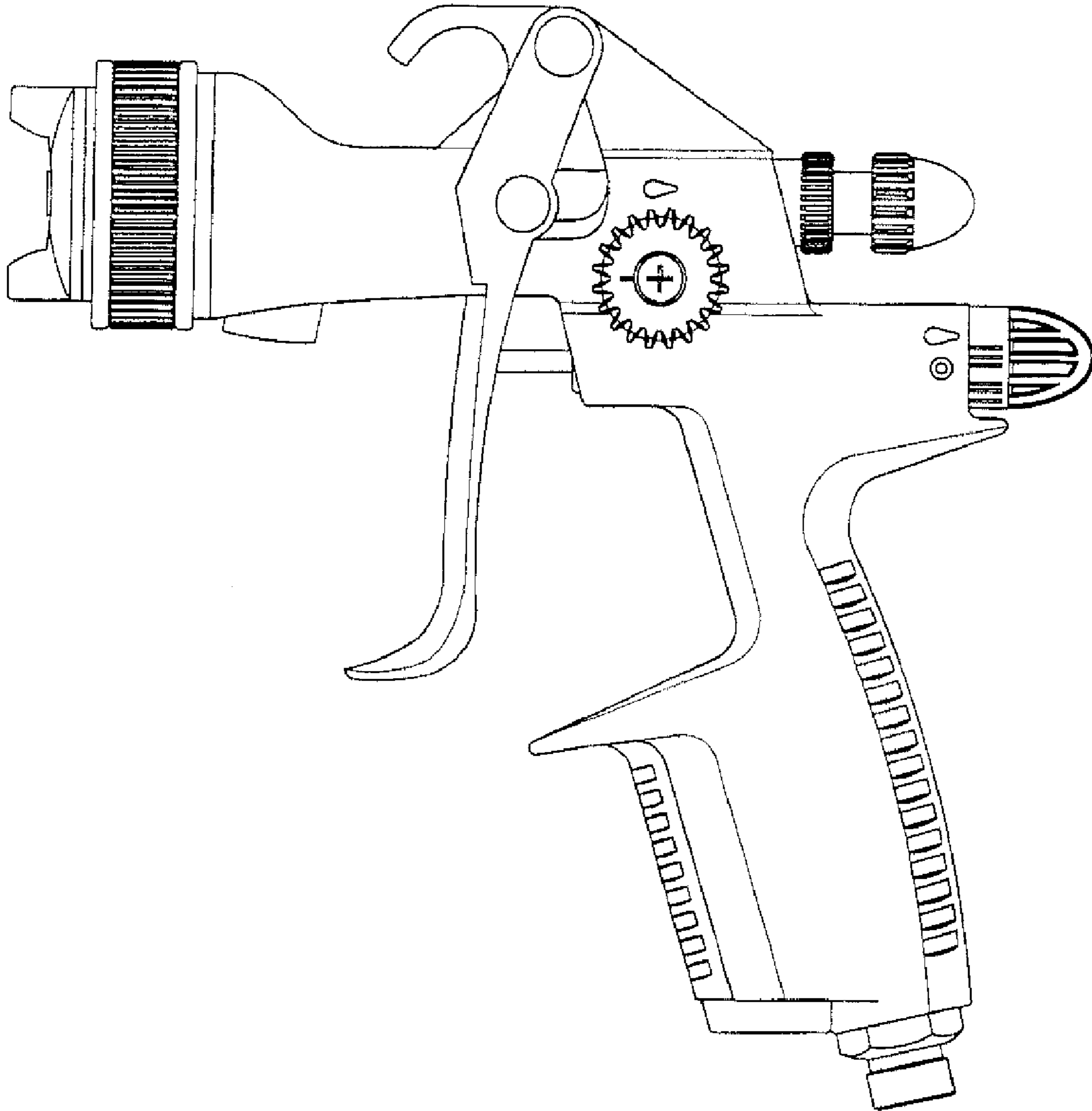


FIG. 12

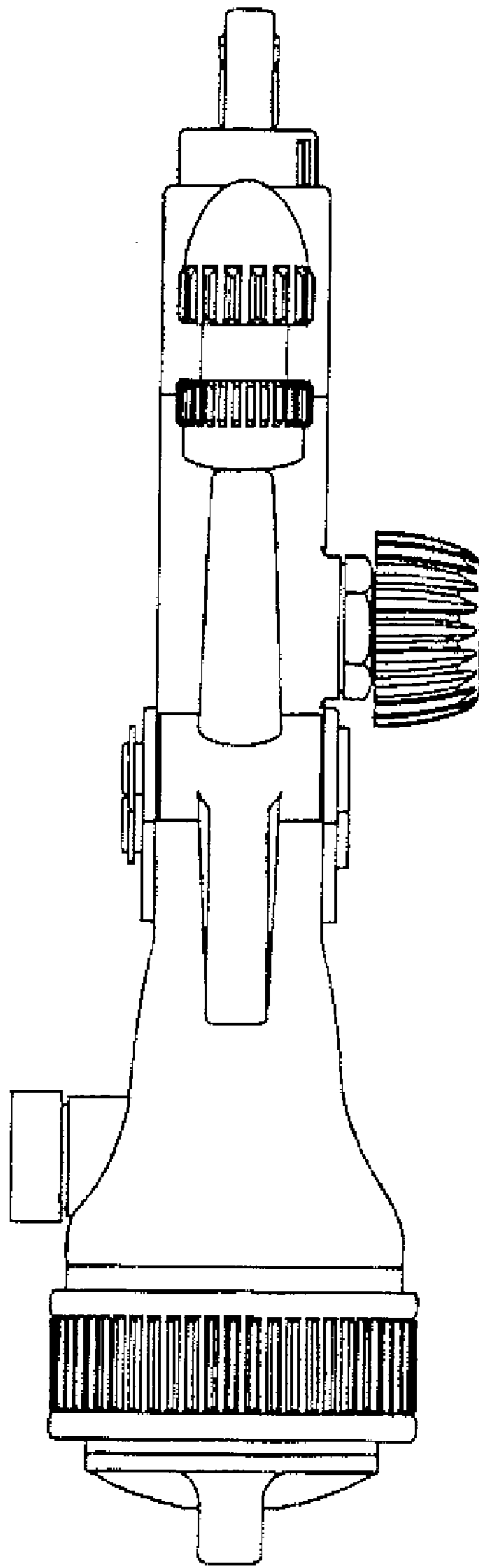


FIG. 13

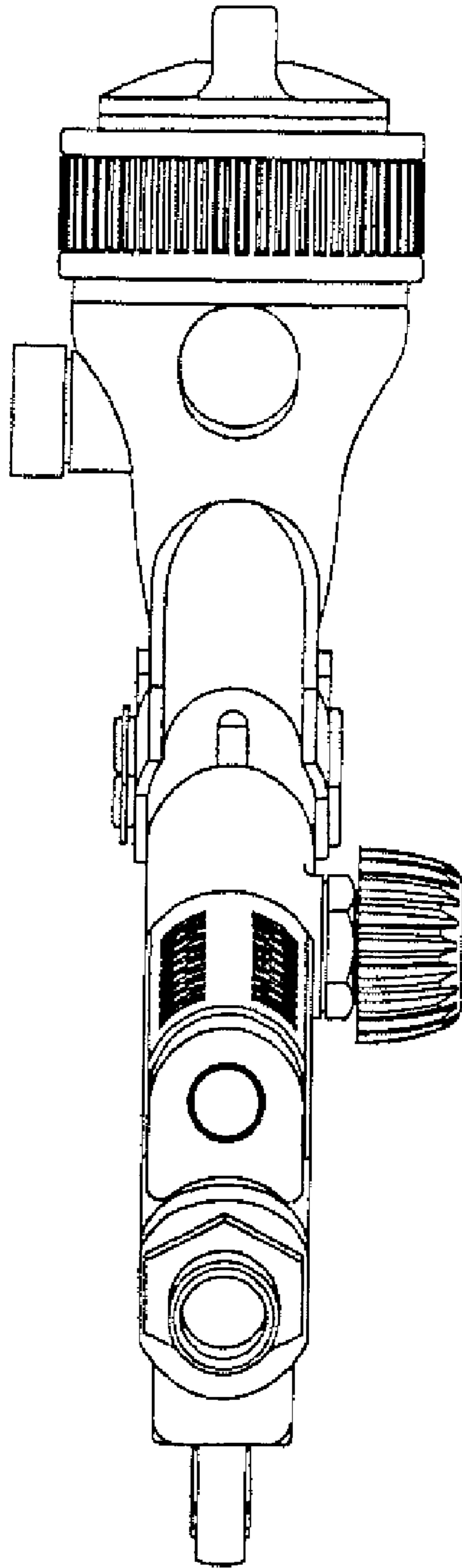


FIG. 14

UNITED STATES PATENT AND TRADEMARK OFFICE  
**CERTIFICATE OF CORRECTION**

PATENT NO. : Des. 563,505 S  
APPLICATION NO. : 29/281972  
DATED : March 4, 2008  
INVENTOR(S) : Ewald Schmon and Albrecht Kruse

Page 1 of 1

It is certified that error appears in the above-identified patent and that said Letters Patent is hereby corrected as shown below:

item 75, under Grafenberg (DE), change the inventor Albrecht Kruse's city of residence from "Fichtestrasse" to --STUTTGART--.

Signed and Sealed this

Seventeenth Day of June, 2008

A handwritten signature in black ink that reads "Jon W. Dudas". The signature is written in a cursive style with a large, looped initial "J".

JON W. DUDAS

*Director of the United States Patent and Trademark Office*