



US00D563503S

(12) **United States Design Patent**
Monk

(10) **Patent No.:** **US D563,503 S**
(45) **Date of Patent:** **** Mar. 4, 2008**

(54) **HIGH VOLUME LOW PRESSURE SPRAY STATION**

D542,373 S * 5/2007 Cooper D23/225

* cited by examiner

(75) Inventor: **Andrew Paul Monk**, Surrey (GB)

Primary Examiner—Robin V Webster

(73) Assignee: **Earlex Limited**, Guildford Surrey (GB)

(74) *Attorney, Agent, or Firm*—Alfred A. Fressola; Ware, Fressola, Van Der Sluys & Adolphson LLP

(**) Term: **14 Years**

(57) **CLAIM**

(21) Appl. No.: **29/268,080**

The ornamental design for the high volume low pressure spray station, as shown and described.

(22) Filed: **Oct. 27, 2006**

(51) **LOC (8) Cl.** **23-01**

(52) **U.S. Cl.** **D23/225; D8/2**

(58) **Field of Classification Search** D23/213,
D23/225; D8/2; 239/154, 320, 308, 310,
239/373

See application file for complete search history.

DESCRIPTION

FIG. 1 is a perspective view of the high volume low pressure spray station showing my new design;

FIG. 2 is a front view of the spray station;

FIG. 3 is a top view of the spray station;

FIG. 4 is a bottom view of the spray station;

FIG. 5 is a left side view of the spray station; and,

FIG. 6 is a right side view of the spray station.

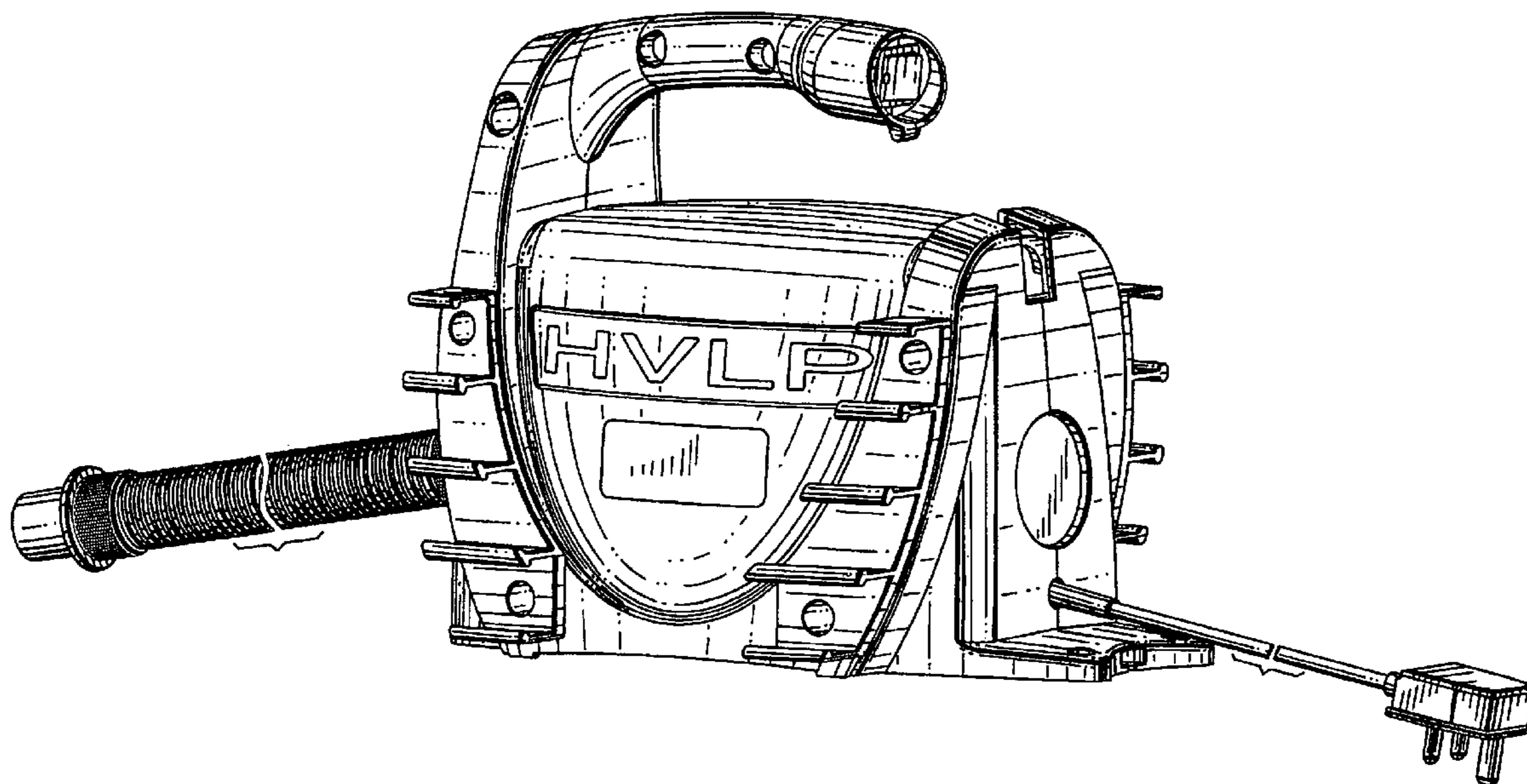
The electric cord and hose are shown fragmented to indicate indeterminate length.

(56) **References Cited**

U.S. PATENT DOCUMENTS

- D334,972 S * 4/1993 Berfield et al. D23/225
- D347,261 S * 5/1994 Berfield et al. D23/225
- 5,395,052 A * 3/1995 Schneider et al. 239/154
- 5,964,409 A * 10/1999 Alexander et al. 239/154

1 Claim, 5 Drawing Sheets



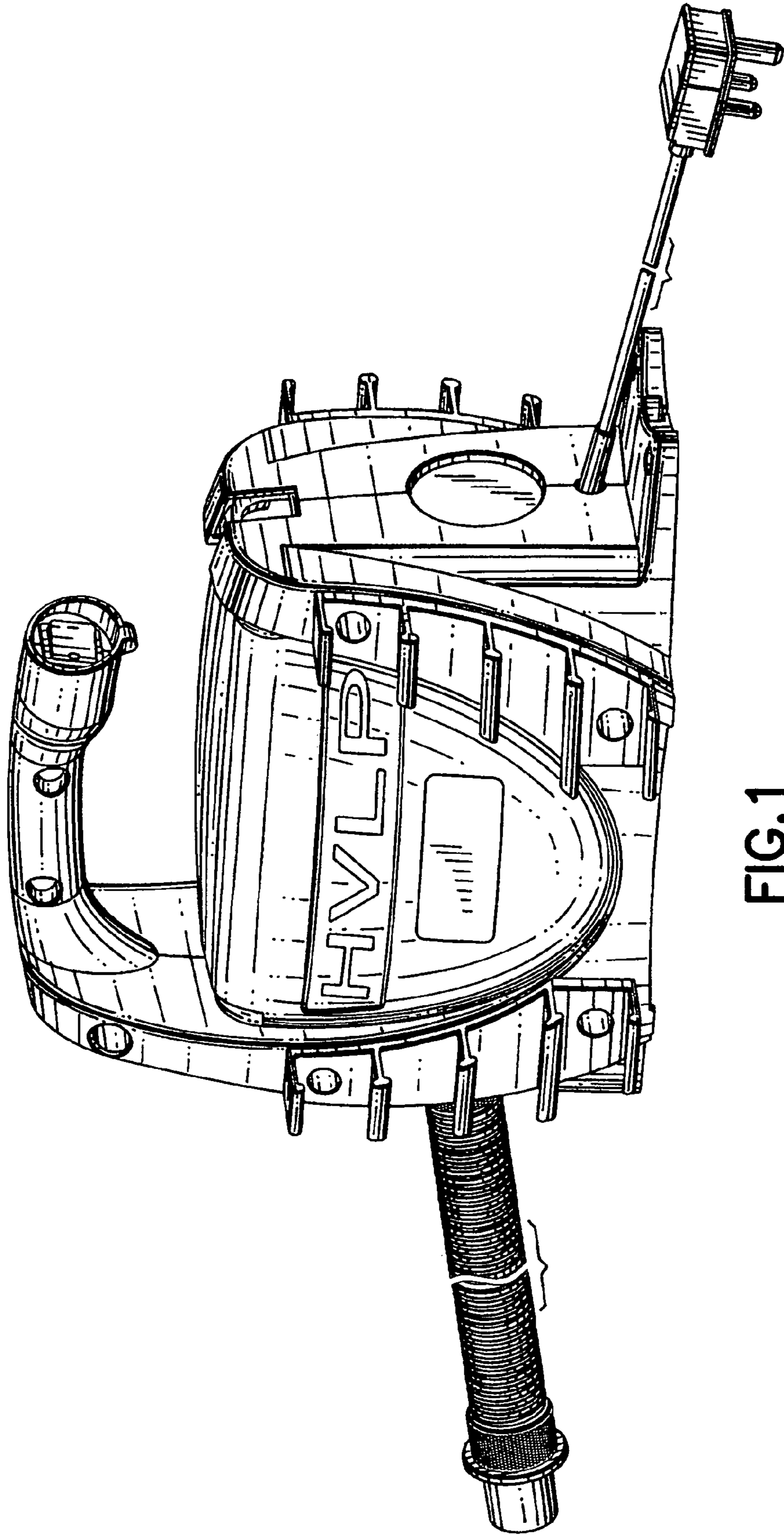


FIG.1

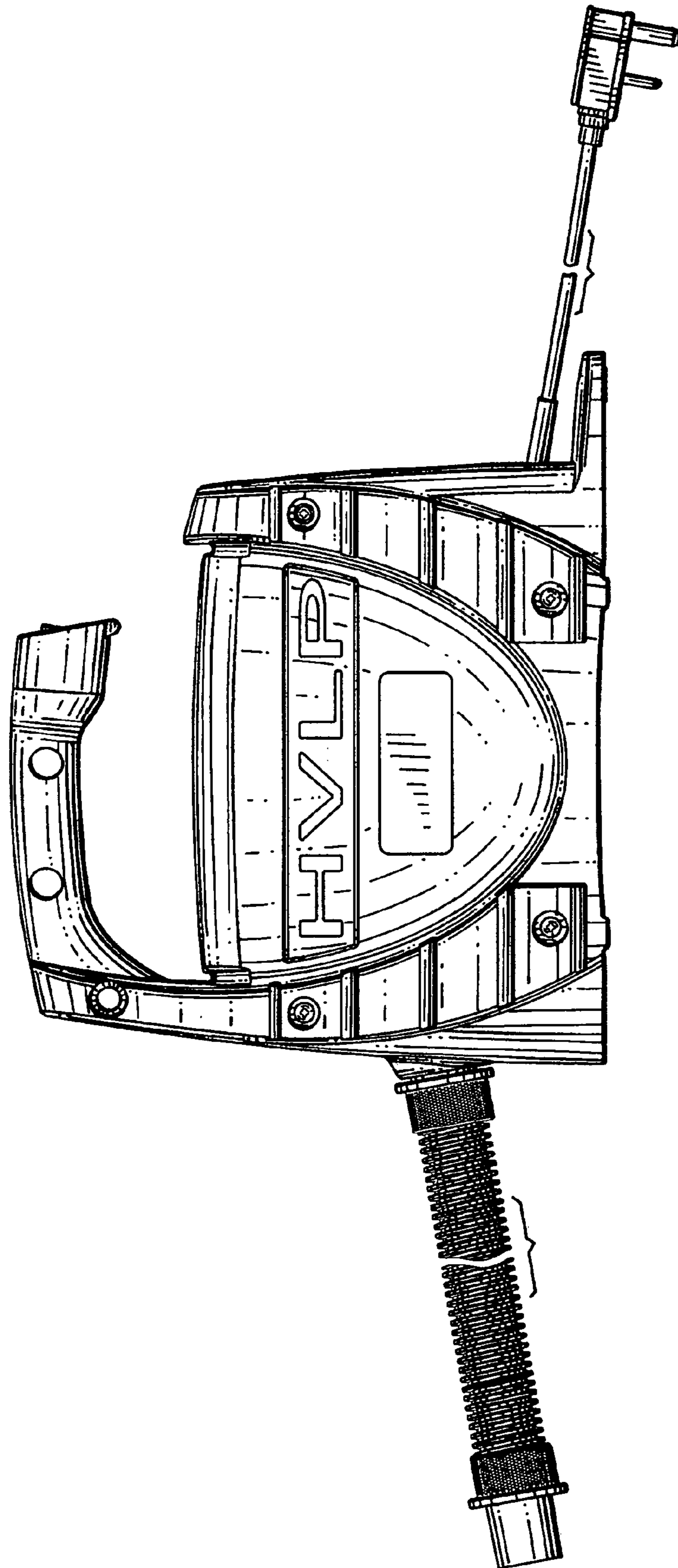


FIG.2

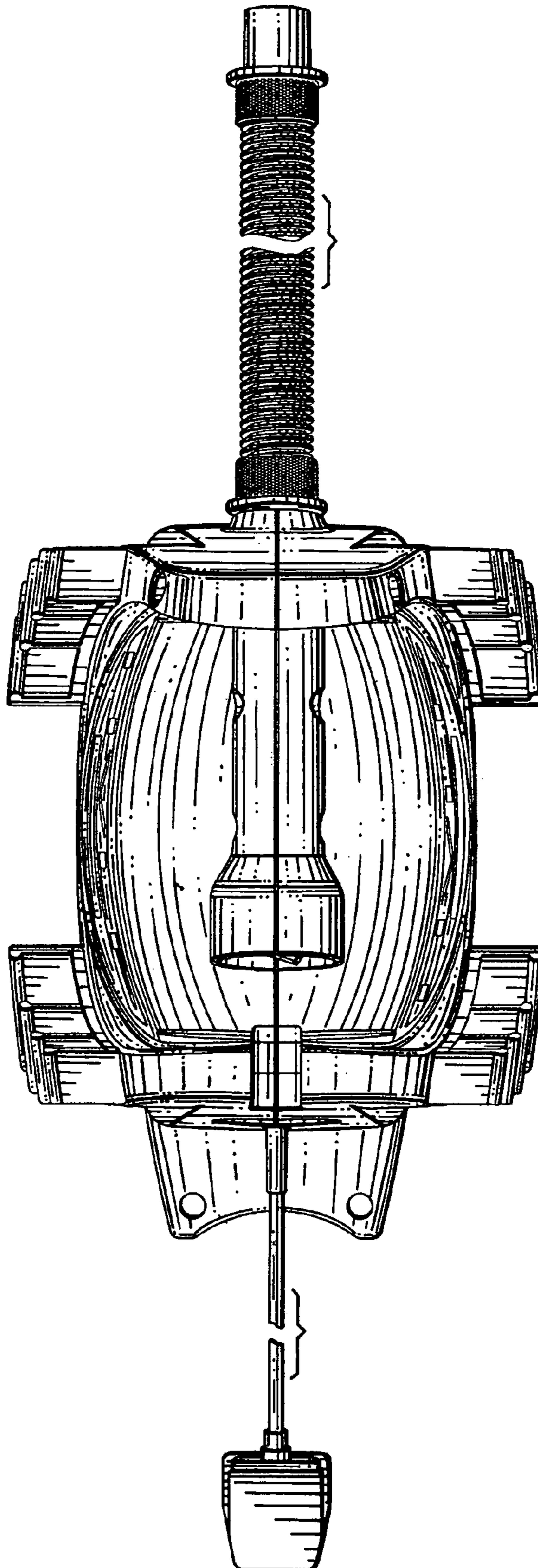


FIG. 3

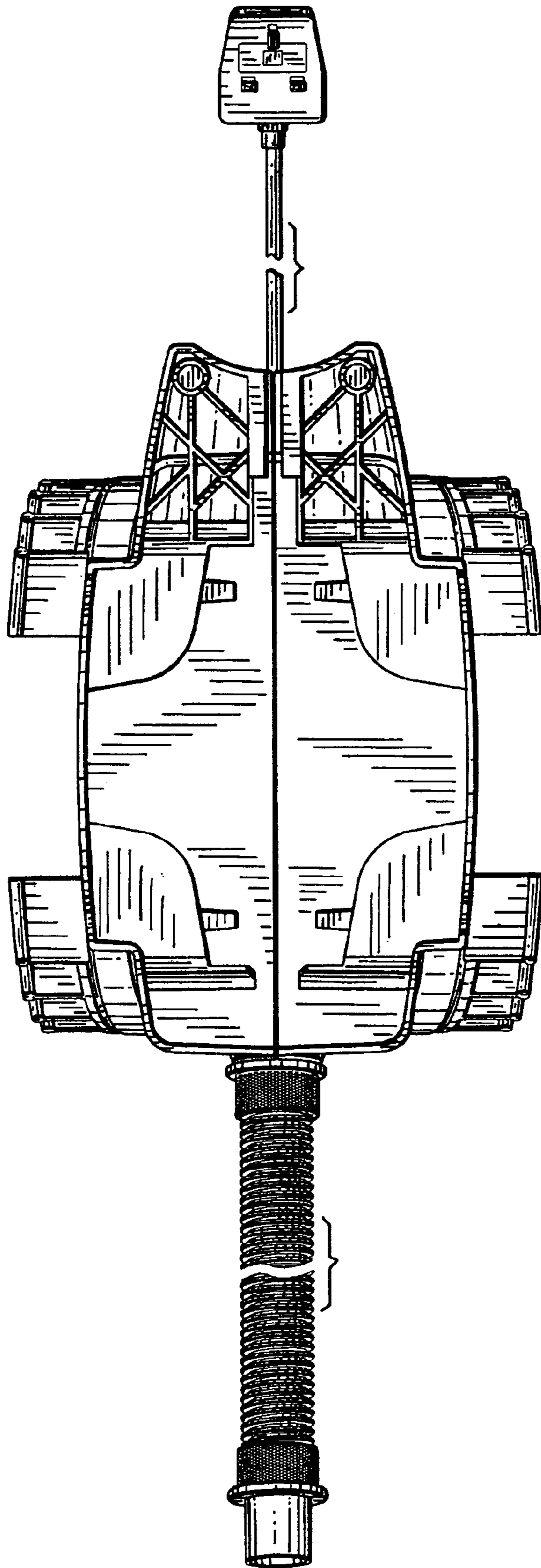


FIG.4

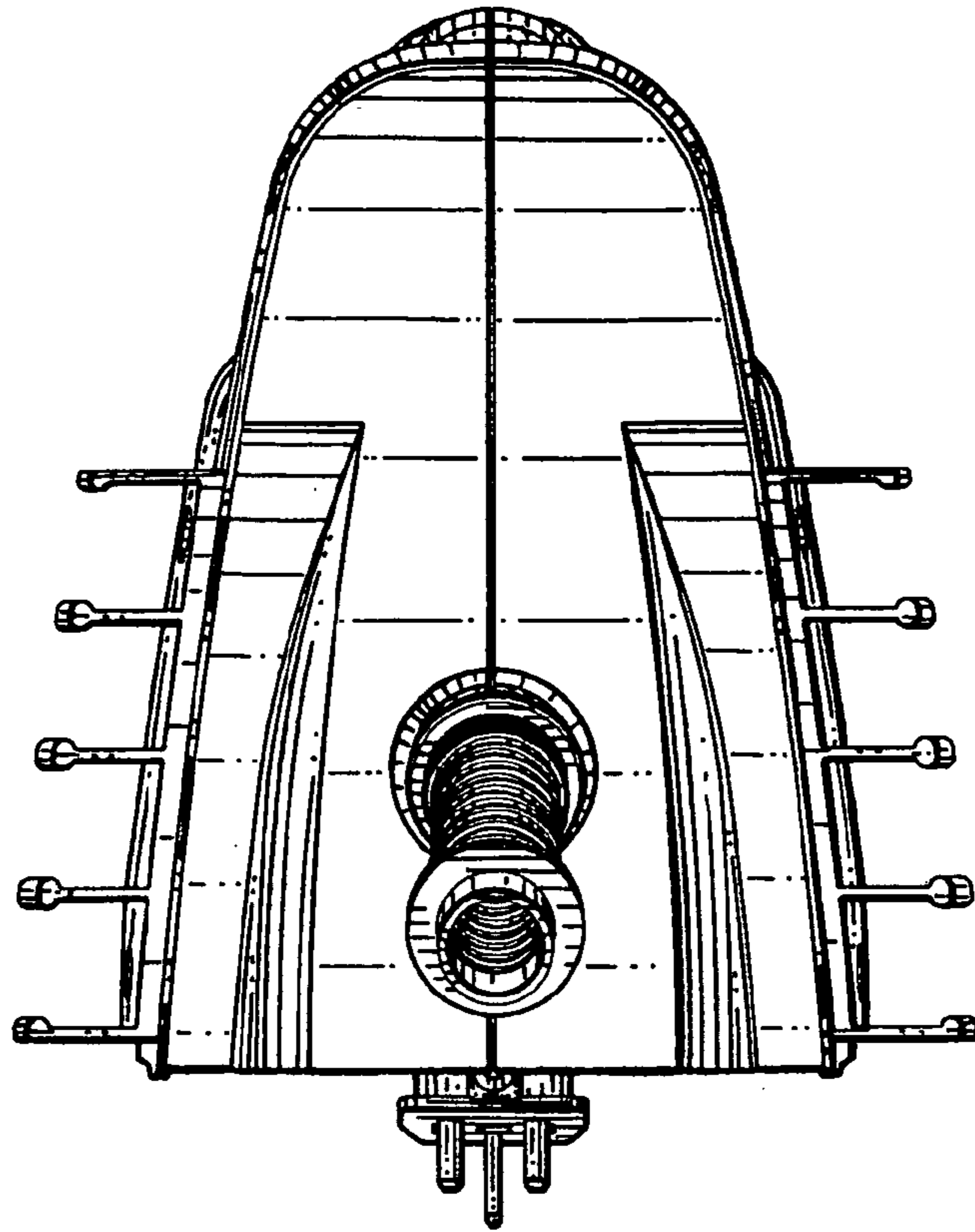


FIG. 5

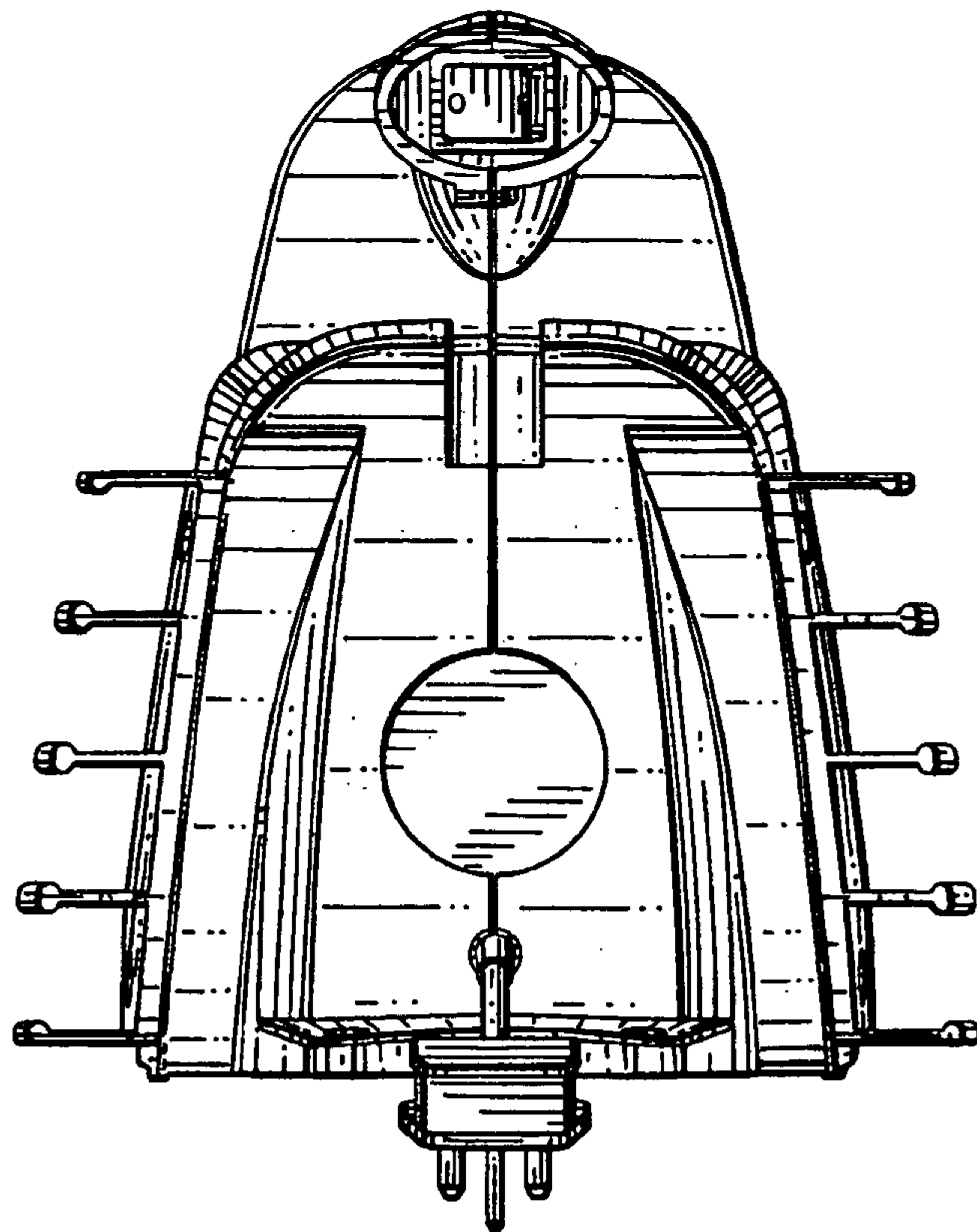


FIG. 6