



US00D563500S

(12) **United States Design Patent**  
**Gong**

(10) **Patent No.:** **US D563,500 S**

(45) **Date of Patent:** **\*\* Mar. 4, 2008**

(54) **POOL**

D509,876 S \* 9/2005 Sagol ..... D21/816

(75) Inventor: **Jae-Deug Gong**, Pusan (KR)

\* cited by examiner

(73) Assignee: **Dicoland Corporation**, Yangsan (KR)

*Primary Examiner*—Mitchell Siegel

(\*\*) Term: **14 Years**

(74) *Attorney, Agent, or Firm*—Greenblum & Bernstein, P.L.C.

(21) Appl. No.: **29/275,475**

(57) **CLAIM**

(22) Filed: **Dec. 27, 2006**

I claim the ornamental design for a pool, as shown and described.

(30) **Foreign Application Priority Data**

**DESCRIPTION**

Jun. 28, 2006 (KR) ..... 30-2006-0027518

(51) **LOC (8) Cl.** ..... **21-02**

FIG. 1 is a front perspective view of the embodiment of the pool showing my new design;

(52) **U.S. Cl.** ..... **D21/816**

FIG. 2 is a front elevational view of the embodiment of FIG. 1;

(58) **Field of Classification Search** ..... D21/815,  
D21/816, 835, 836, 433; 446/221, 223, 225;  
5/2.1; 472/126

FIG. 3 is a rear elevational view of the embodiment of FIG. 1;

See application file for complete search history.

FIG. 4 is a left side elevational view of the embodiment of FIG. 1;

(56) **References Cited**

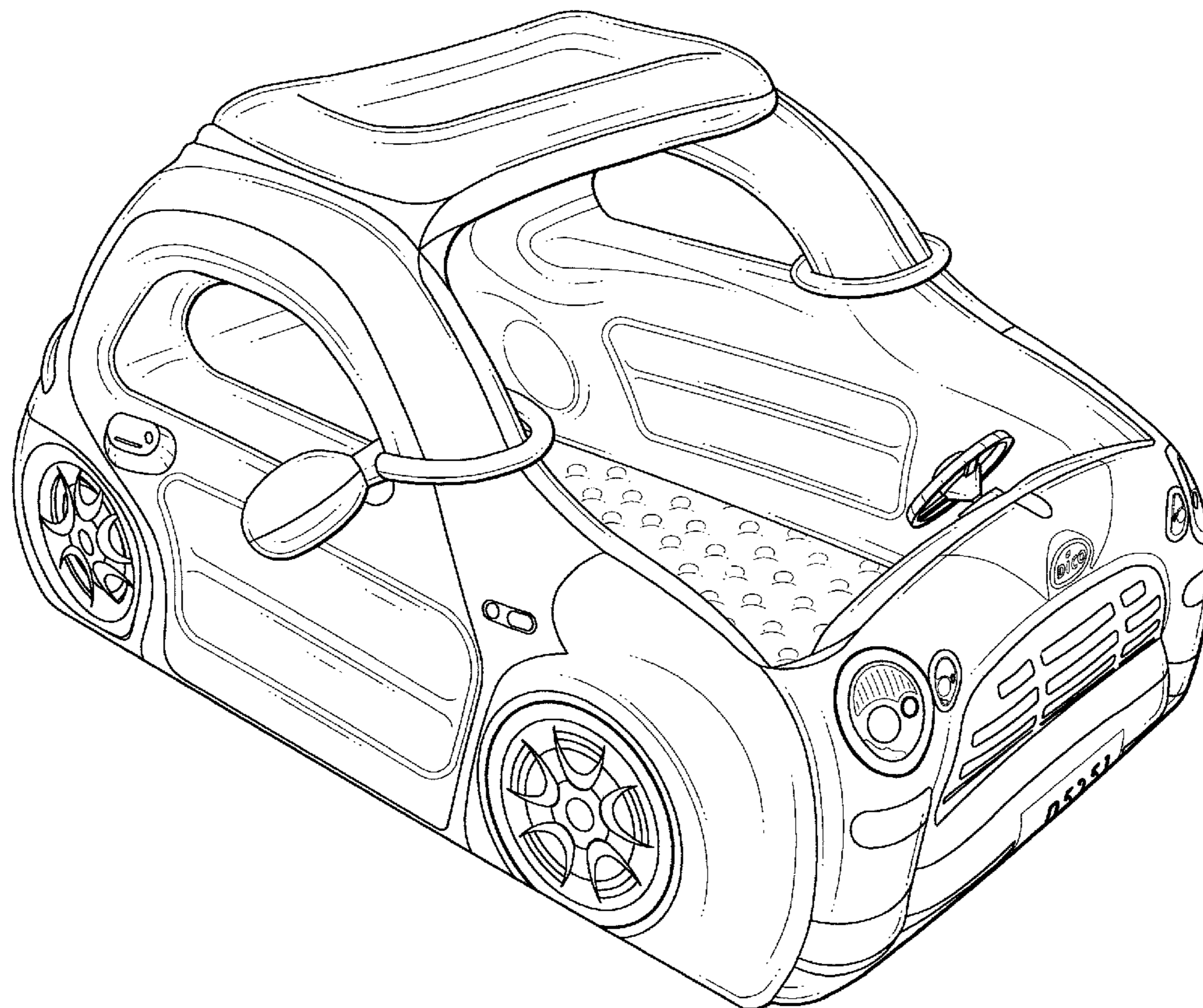
FIG. 5 is a right side elevational view of the embodiment of FIG. 1;

**U.S. PATENT DOCUMENTS**

5,512,002 A \* 4/1996 Lieberman ..... 446/221  
D389,218 S \* 1/1998 Walter ..... D21/815  
5,950,257 A \* 9/1999 Smith et al. .... 5/2.1  
D437,380 S \* 2/2001 Gourchounian ..... D21/835  
D454,923 S \* 3/2002 Katz ..... D21/816

FIG. 6 is a top plan view of the embodiment of FIG. 1; and,  
FIG. 7 is a bottom plan view of the embodiment of FIG. 1.

**1 Claim, 7 Drawing Sheets**



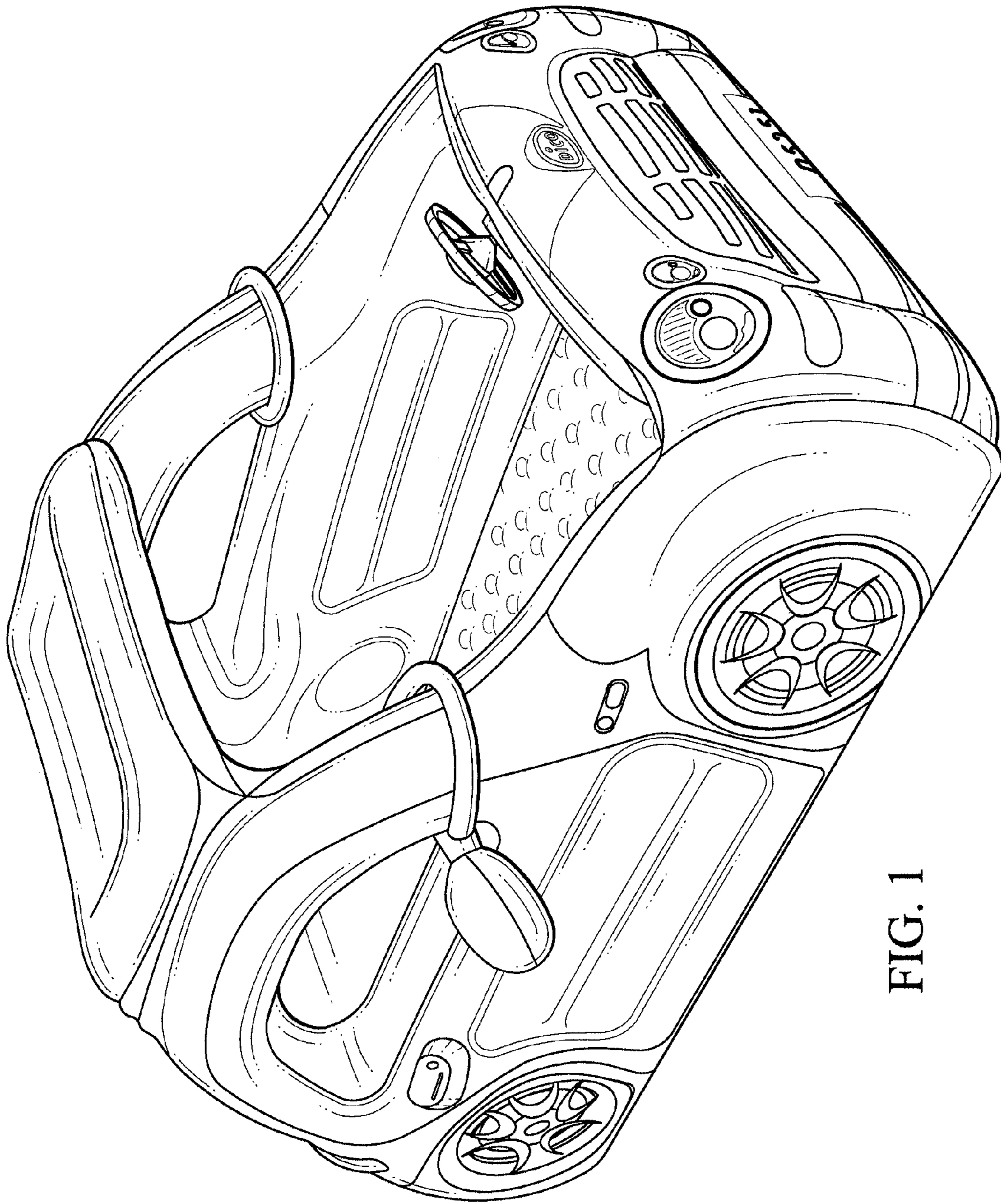


FIG. 1

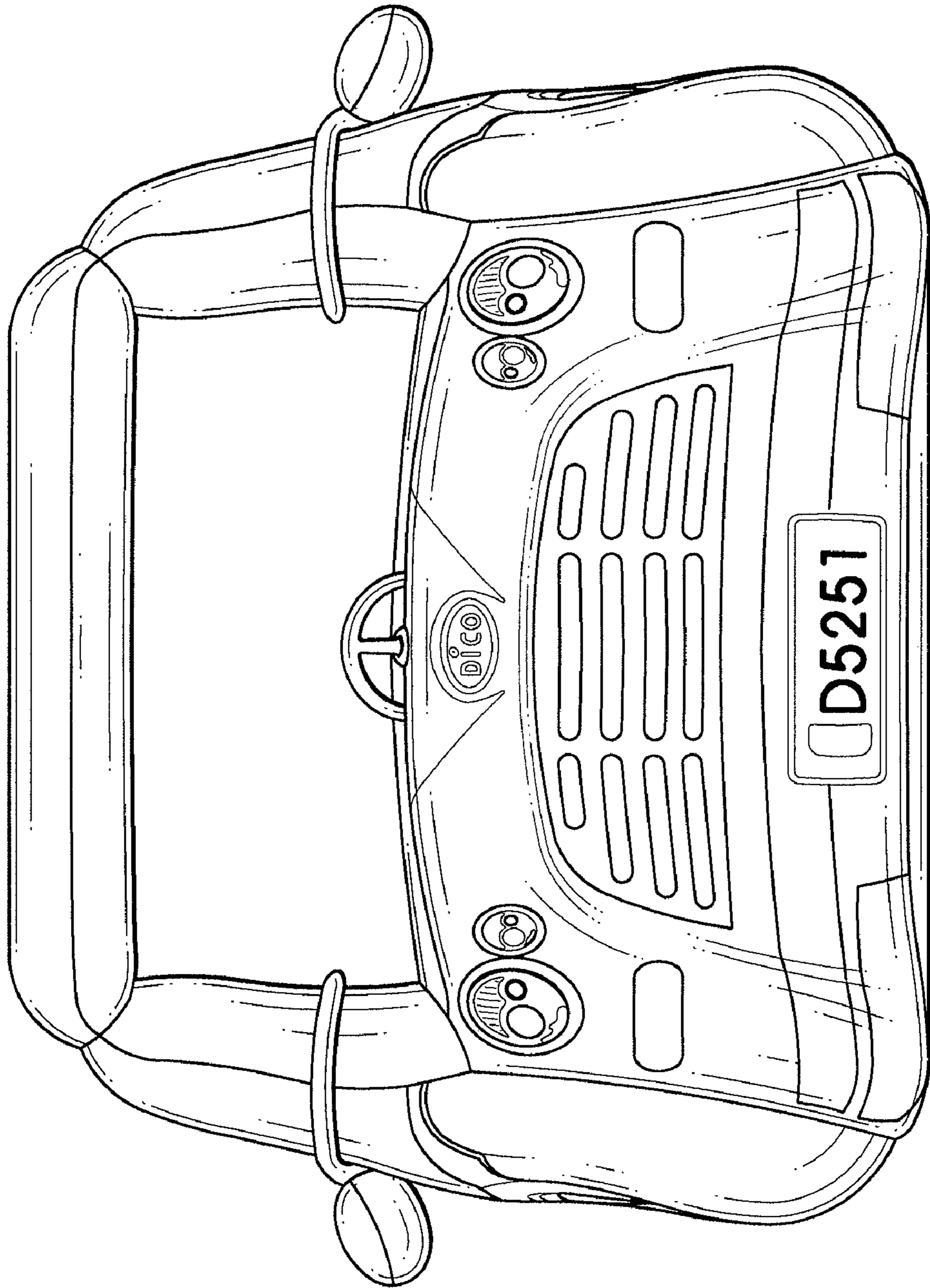


FIG. 2

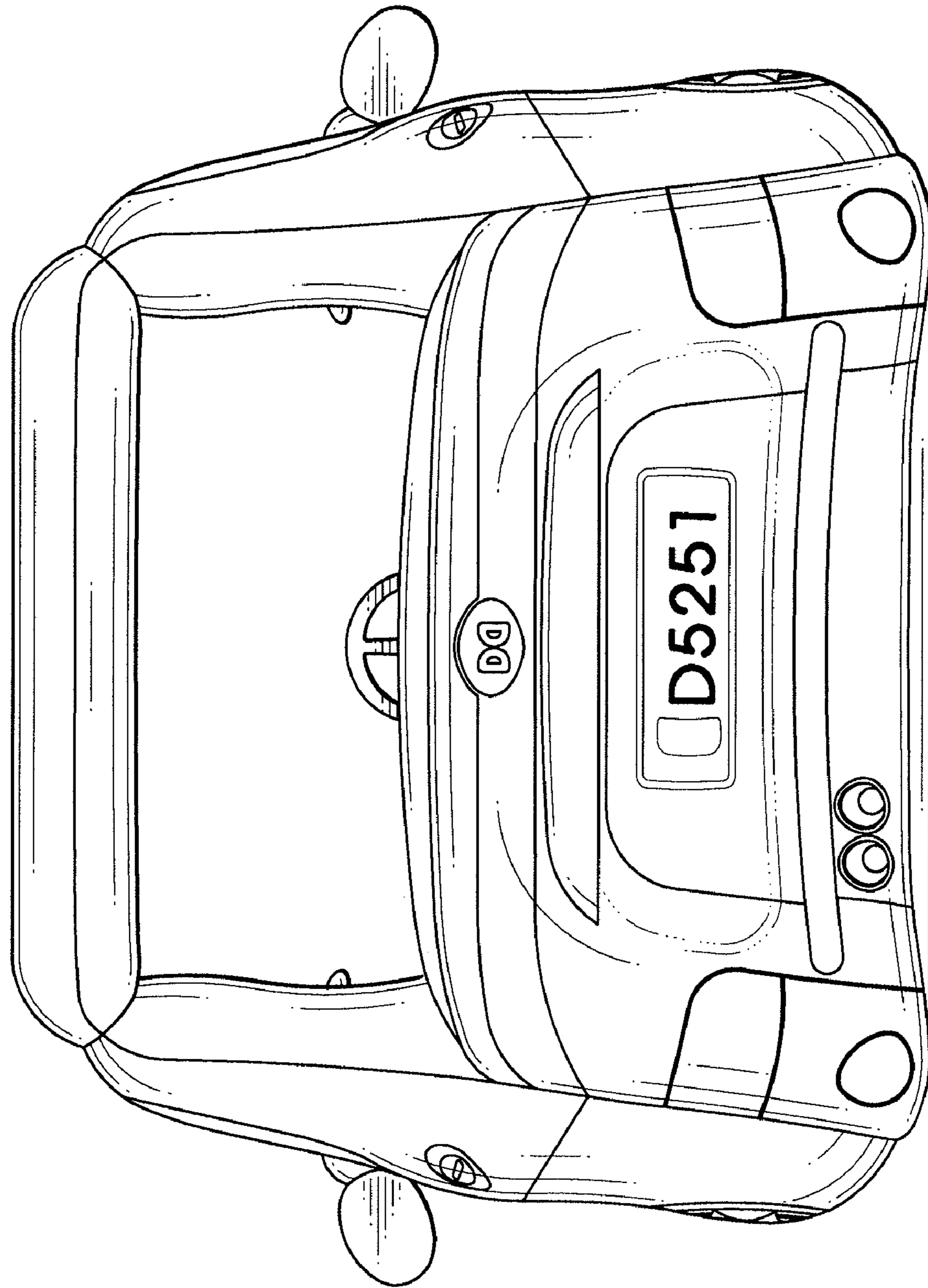


FIG. 3

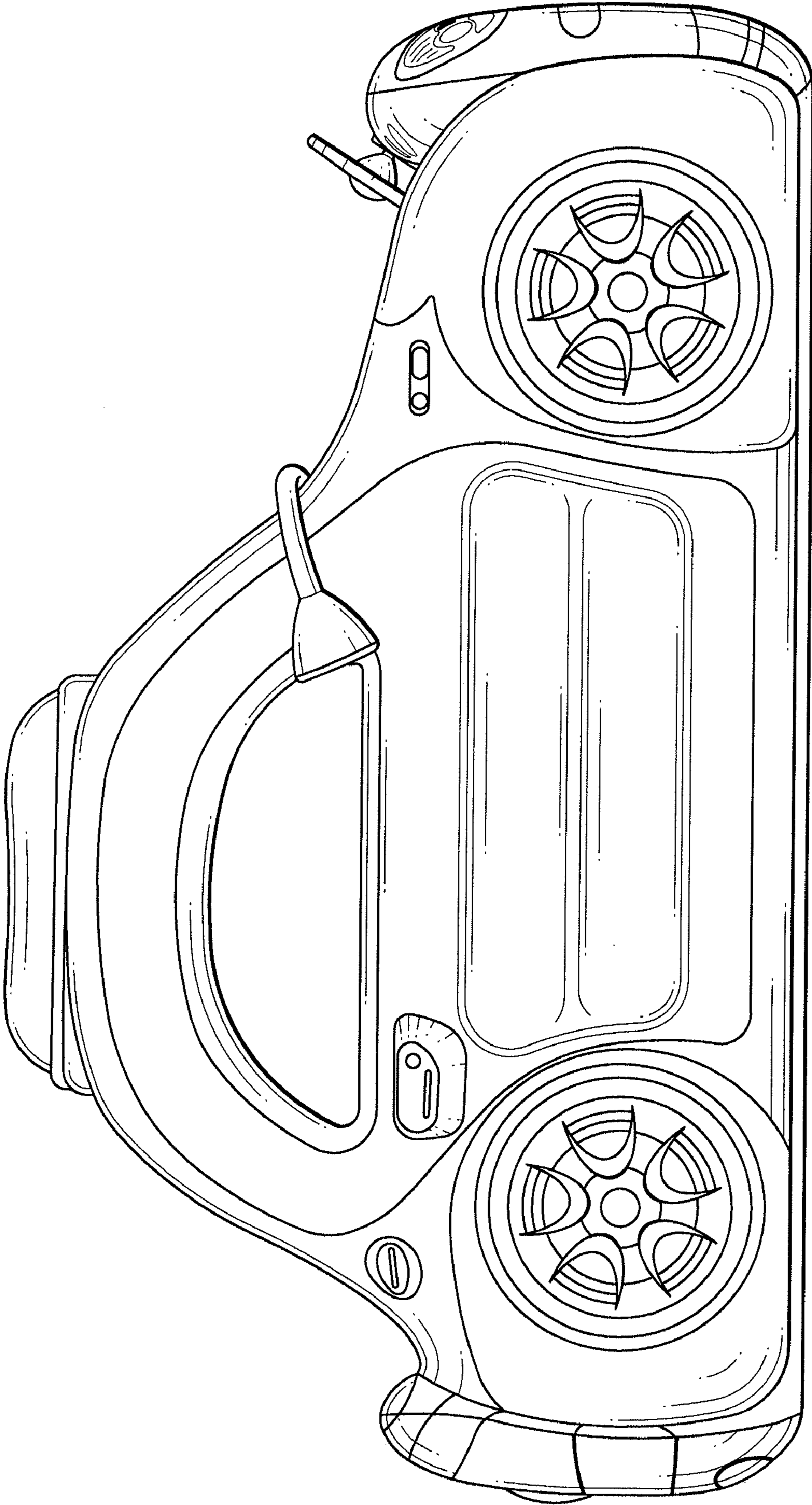


FIG. 4

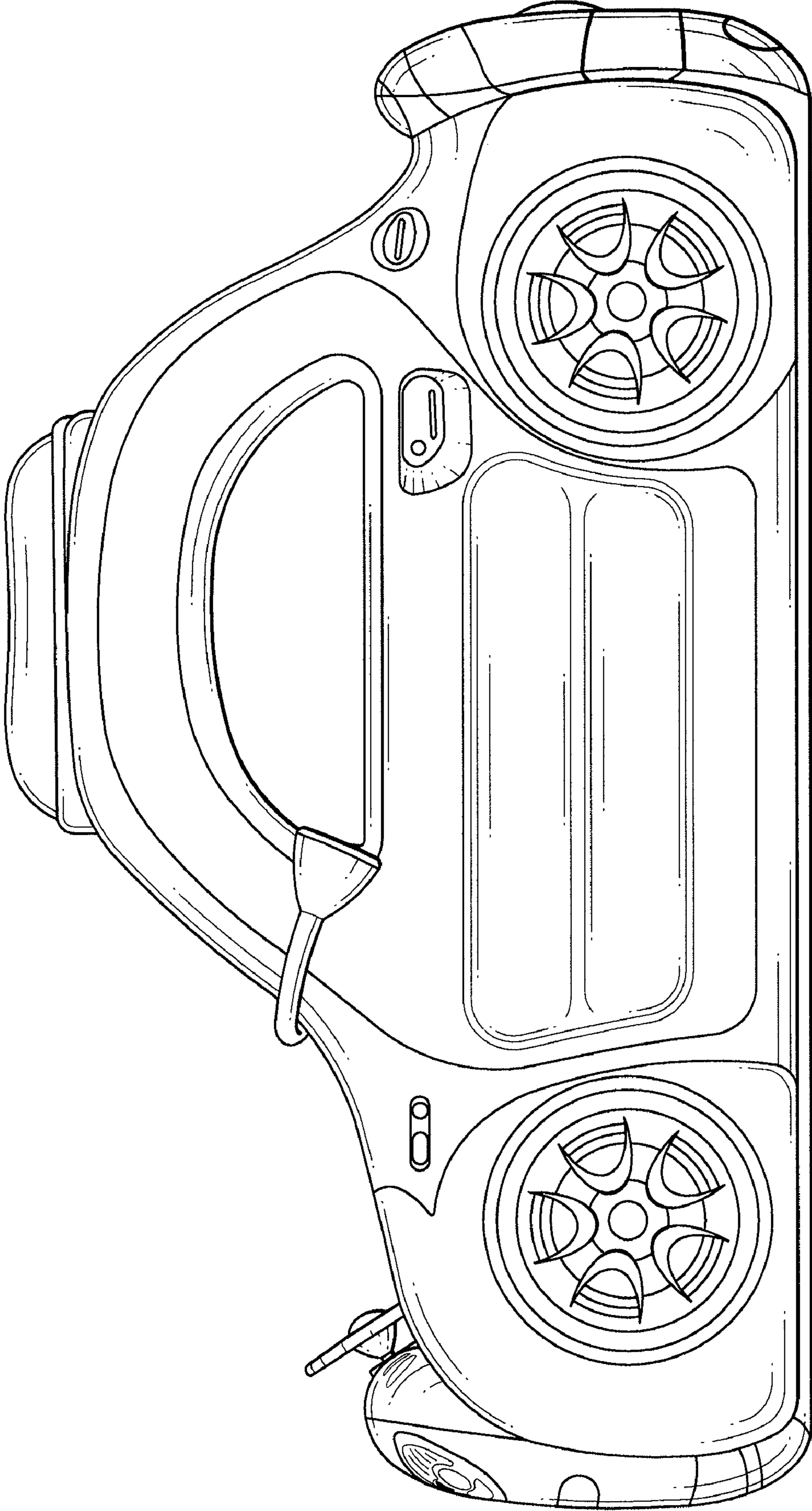


FIG. 5

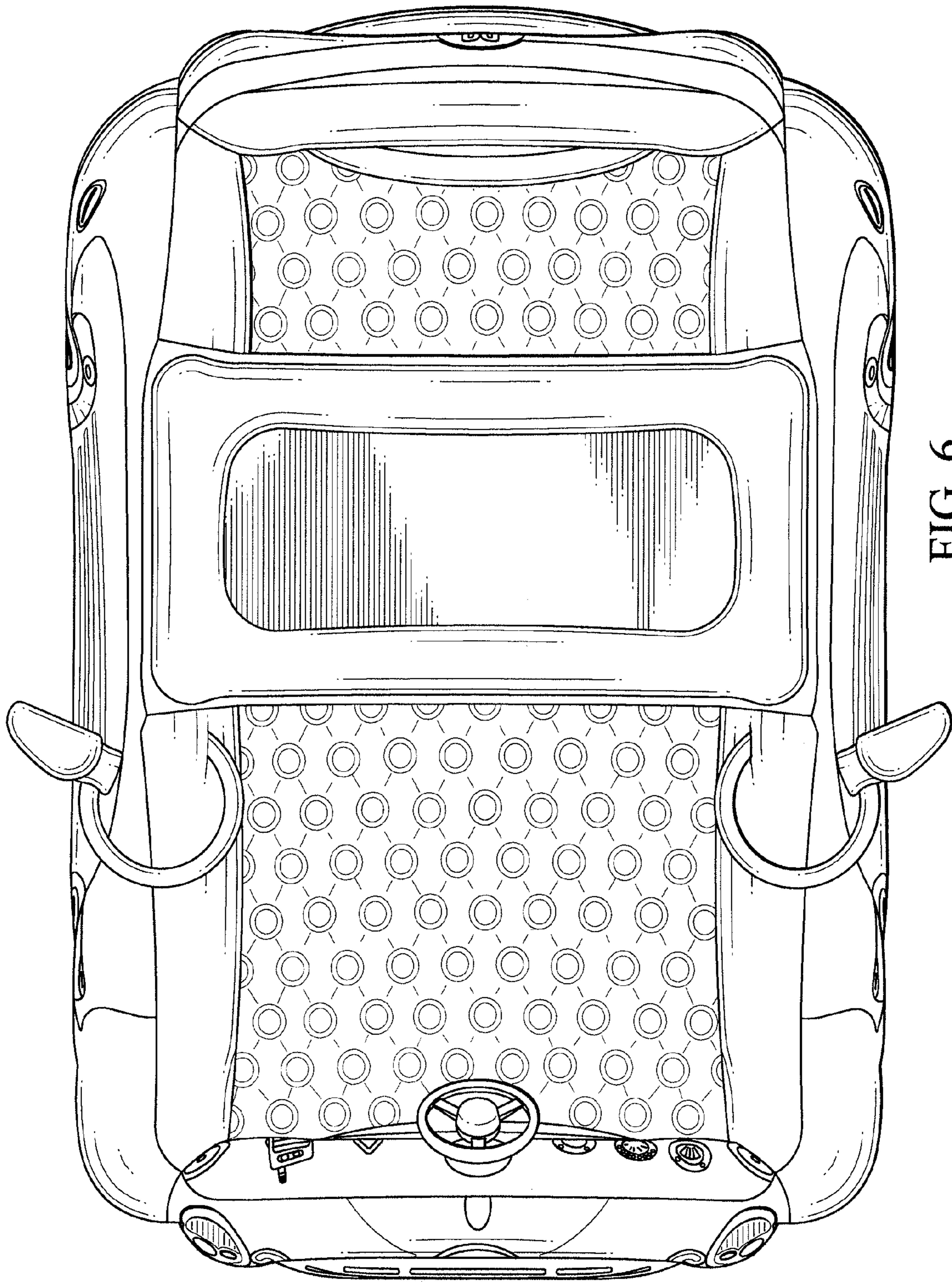


FIG. 6

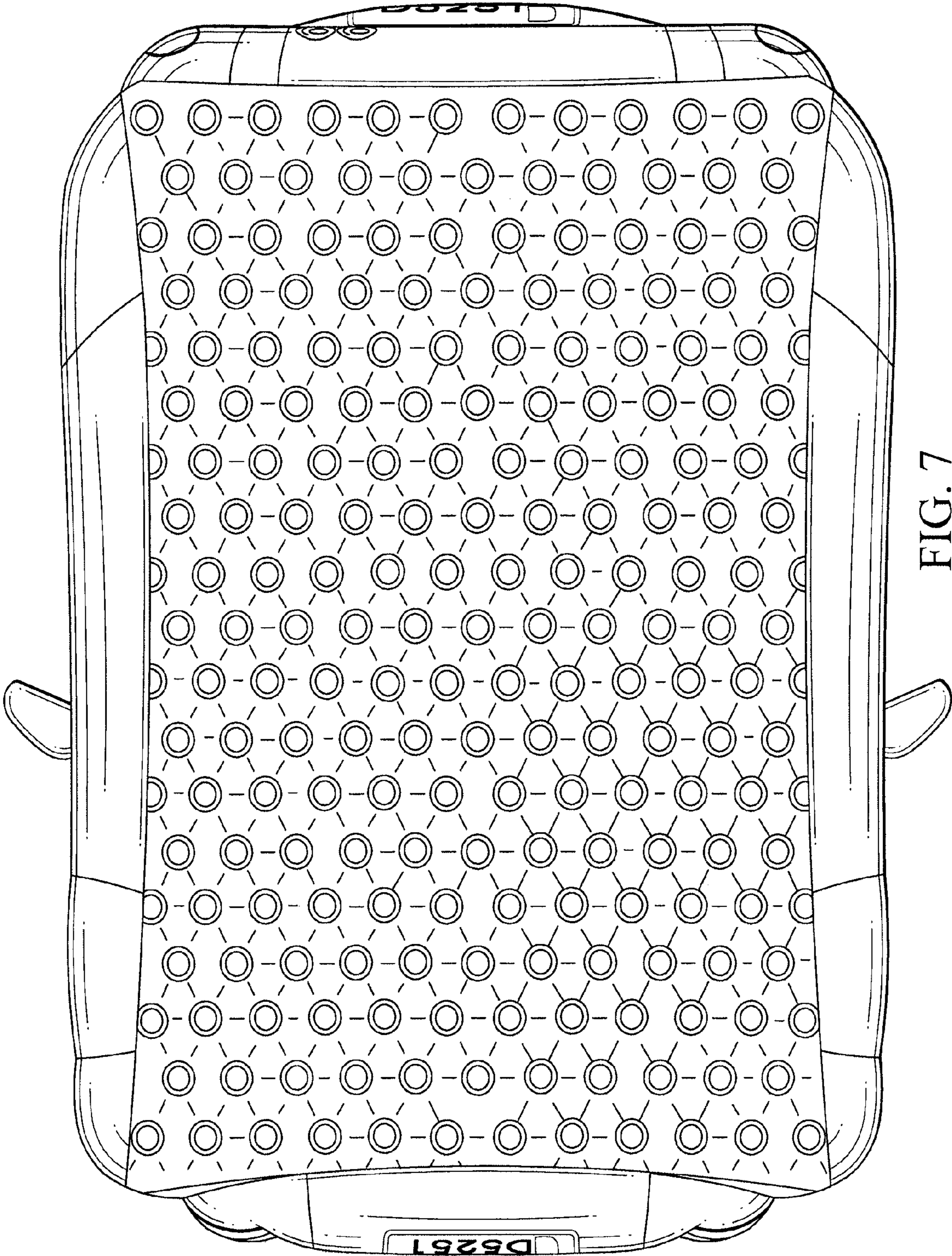


FIG. 7