



US00D563492S

(12) **United States Design Patent**
Becker

(10) **Patent No.:** **US D563,492 S**
(45) **Date of Patent:** **** Mar. 4, 2008**

(54) **CRAWL BALL**

(76) Inventor: **Leslie Becker**, 60 Rooikat Street,
Valley settlement, Rand Vaal, Gauteng
(ZA)

(**) Term: **14 Years**

(21) Appl. No.: **29/249,999**

(22) Filed: **Oct. 30, 2006**

(30) **Foreign Application Priority Data**

Jul. 20, 2006 (ZA) F2006/1098

(51) **LOC (8) Cl.** **21-02**

(52) **U.S. Cl.** **D21/707; D21/398; D21/405**

(58) **Field of Classification Search** D21/398,
D21/405, 406, 45, 455, 460, 461, 462, 468,
D21/475, 707, 712, 714; D30/160; 446/34,
446/75, 81, 175, 219, 220, 233, 256, 258-260,
446/264, 265, 269, 270, 325, 396, 397, 409,
446/418, 419, 431, 437-439, 458, 484, 486;
473/569-614; 119/707-711

See application file for complete search history.

(56) **References Cited**

U.S. PATENT DOCUMENTS

D58,234 S * 6/1921 Holley D21/406
D162,022 S * 2/1951 Gilman D21/412
3,460,828 A * 8/1969 Curlee 472/26
D219,044 S * 10/1970 de Gelder et al. D21/460

4,955,620 A * 9/1990 Reinke 473/613
5,253,866 A * 10/1993 Moorman et al. 473/571
D354,102 S * 1/1995 Lehman D21/712
5,816,885 A * 10/1998 Goldman et al. 446/397
6,117,030 A * 9/2000 Green, Sr. 473/570
D432,191 S * 10/2000 Nelson et al. D21/712
6,146,233 A * 11/2000 Hedeem, Jr. 446/261
6,264,574 B1 * 7/2001 Nelson et al. 473/603
6,485,349 B1 * 11/2002 Snyder et al. 446/168
D468,235 S * 1/2003 Yamazaki D21/475

* cited by examiner

Primary Examiner—Catherine Tuttle

(74) *Attorney, Agent, or Firm*—Banner & Witcoff, Ltd.

(57) **CLAIM**

The ornamental design for a crawl ball, as shown and described.

DESCRIPTION

FIG. 1 is a side elevation view of the crawl ball showing my new design;

FIG. 2 is an upended elevation view seen from the top of FIG. 1;

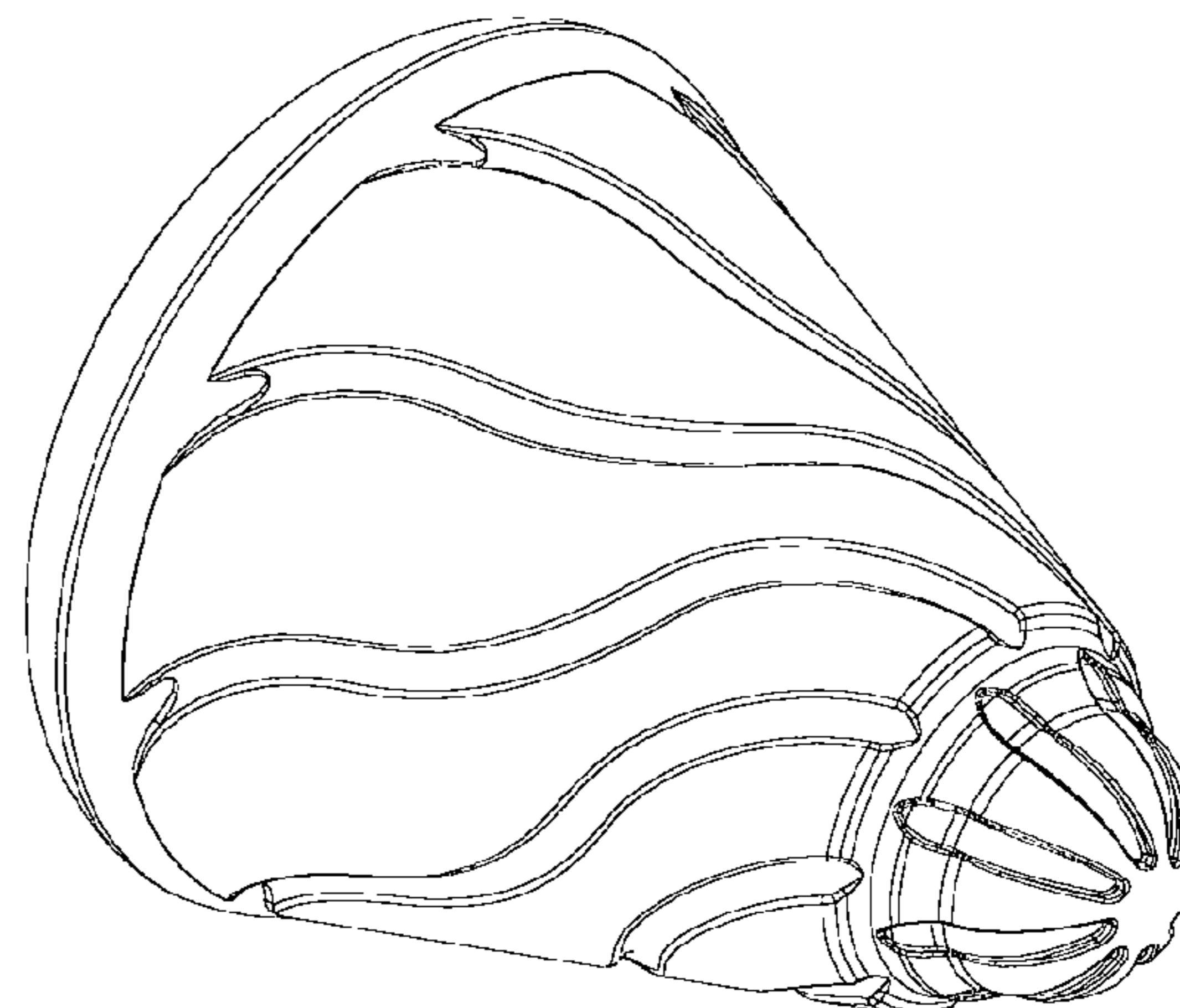
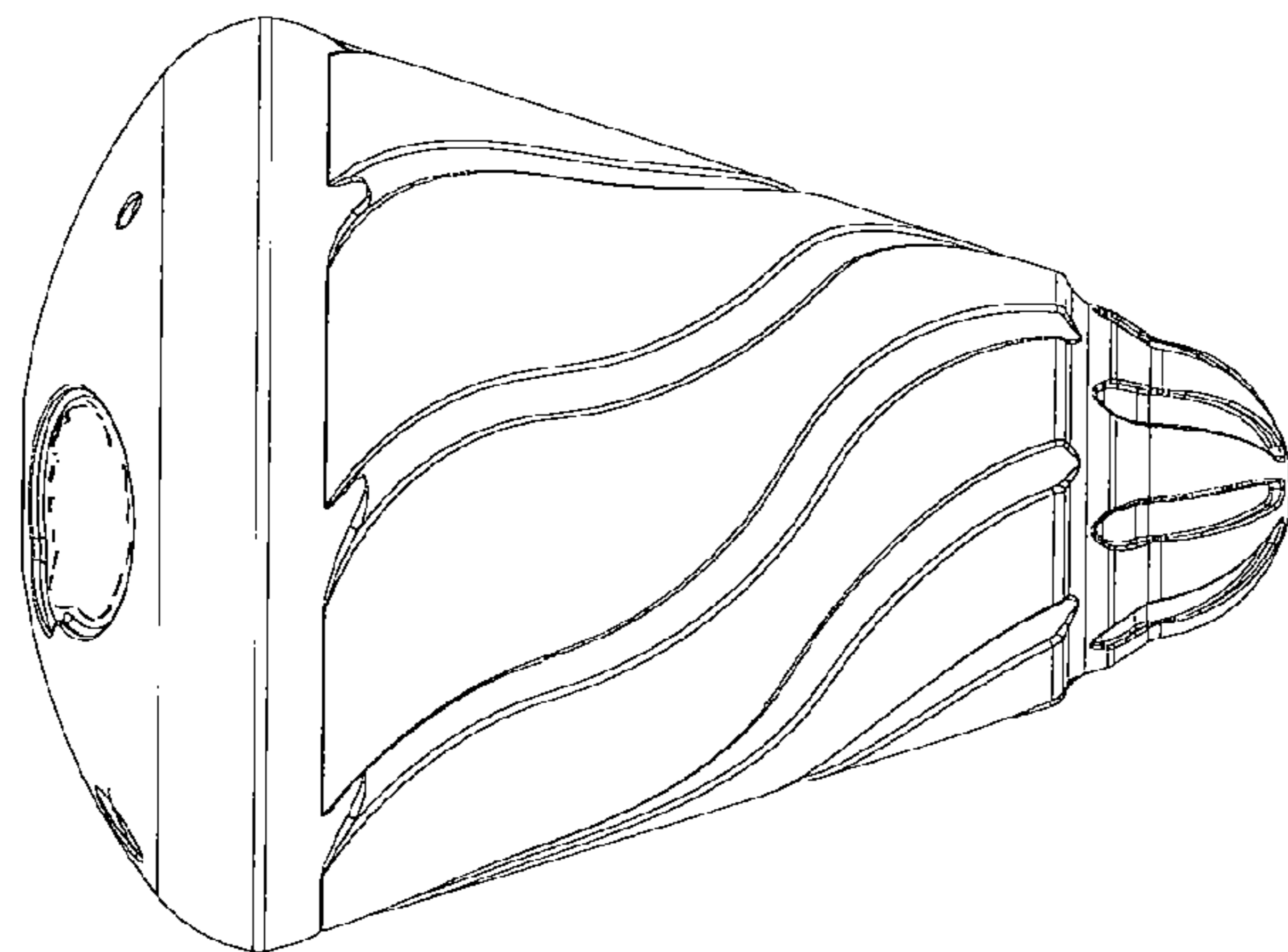
FIG. 3 is an elevation view of the narrow end of FIG. 1;

FIG. 4 is an elevation view of the wide end of FIG. 1; and,

FIG. 5 is a perspective view of the design.

The regions shown in broken lines are for illustrative purposes only and form no part of the claimed design.

1 Claim, 1 Drawing Sheet



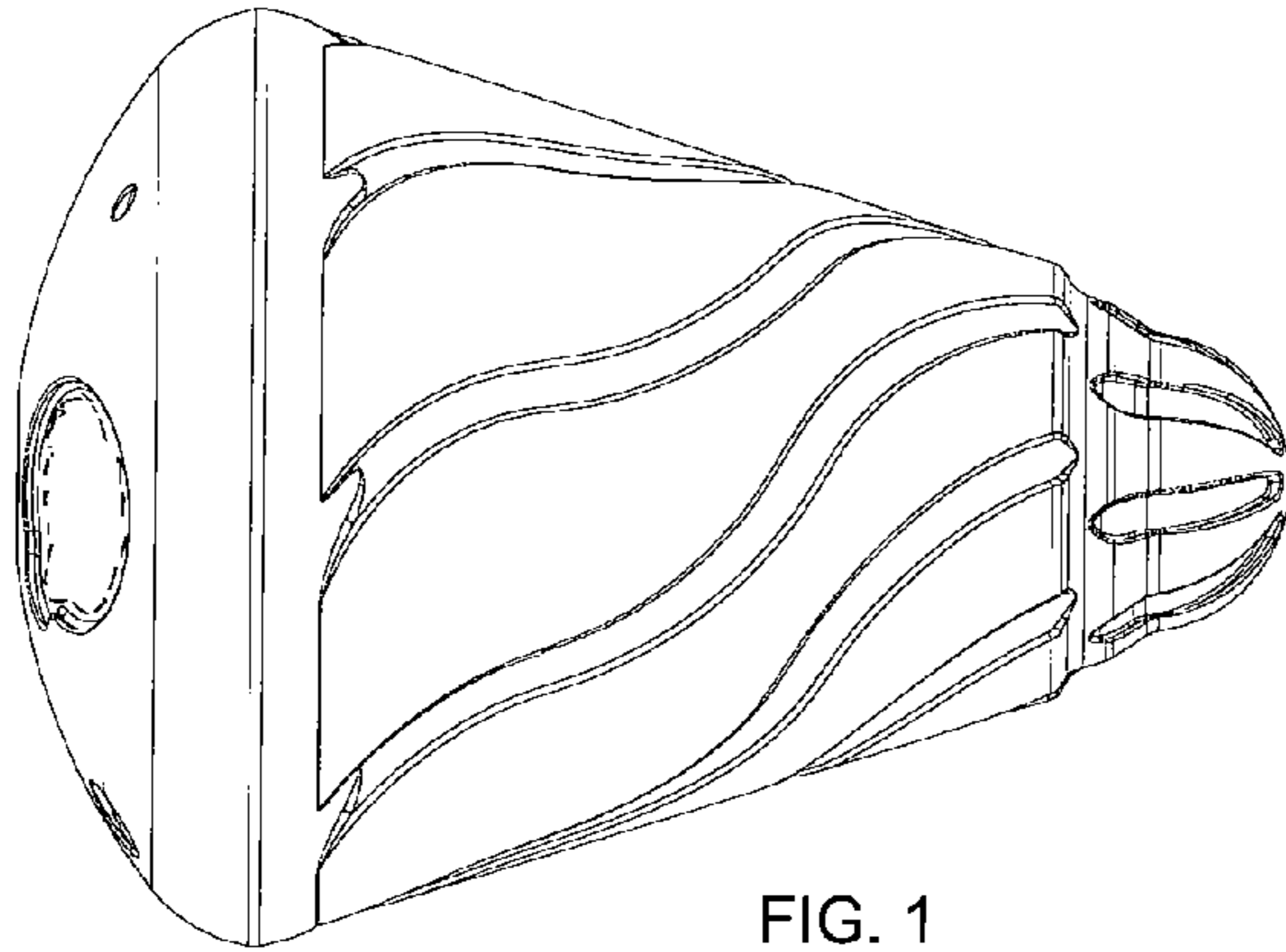


FIG. 1

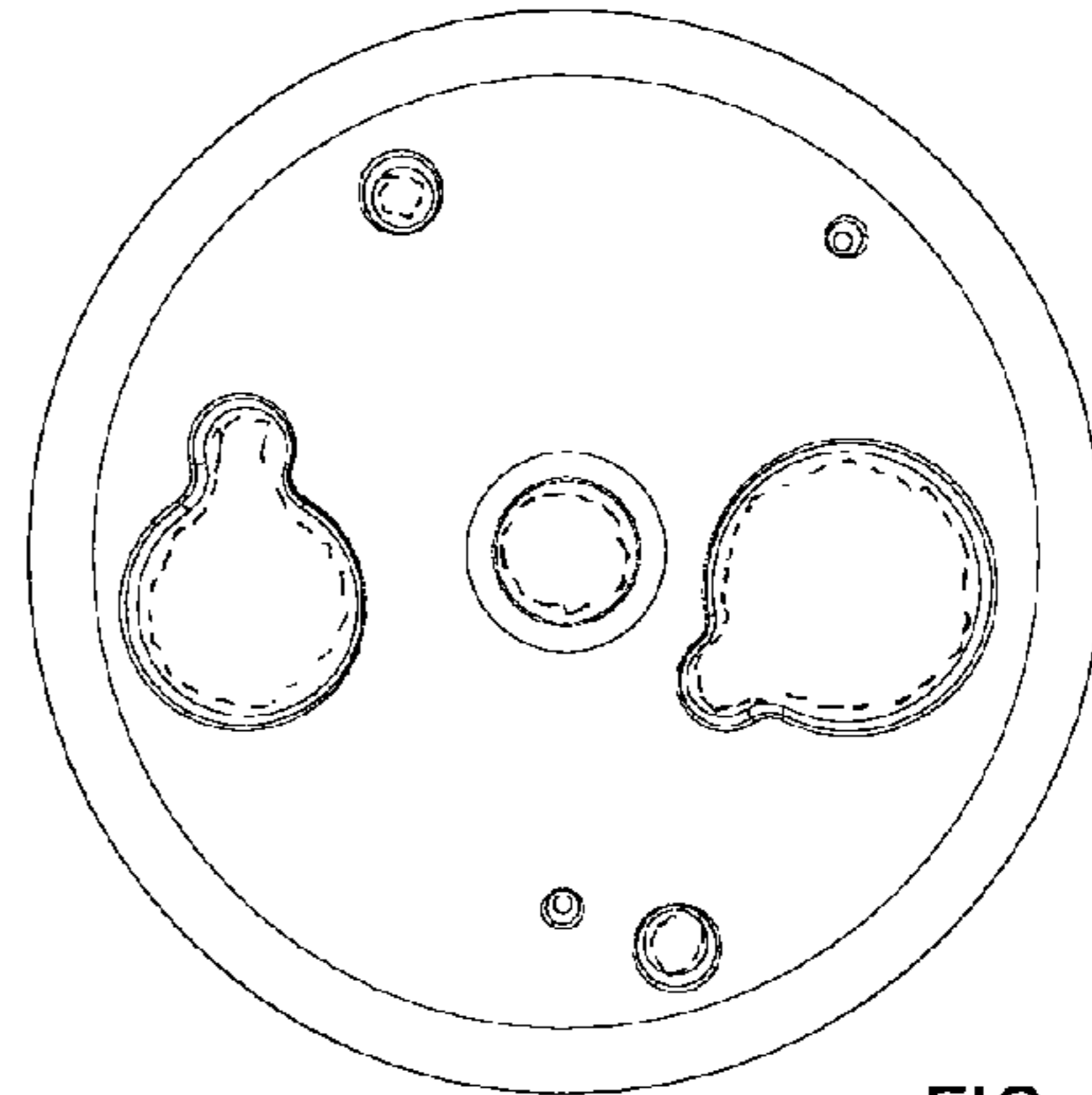


FIG. 4

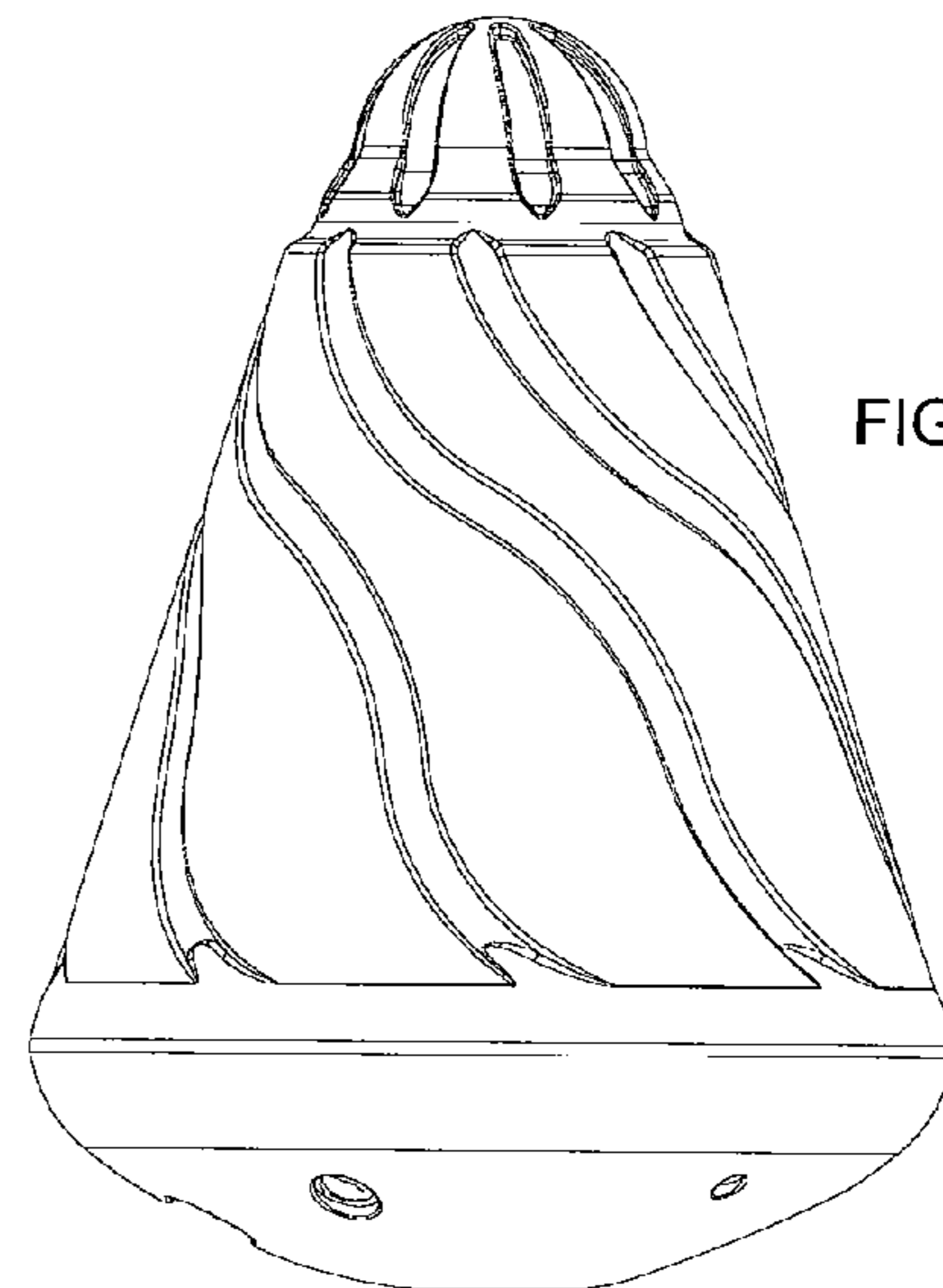


FIG. 2

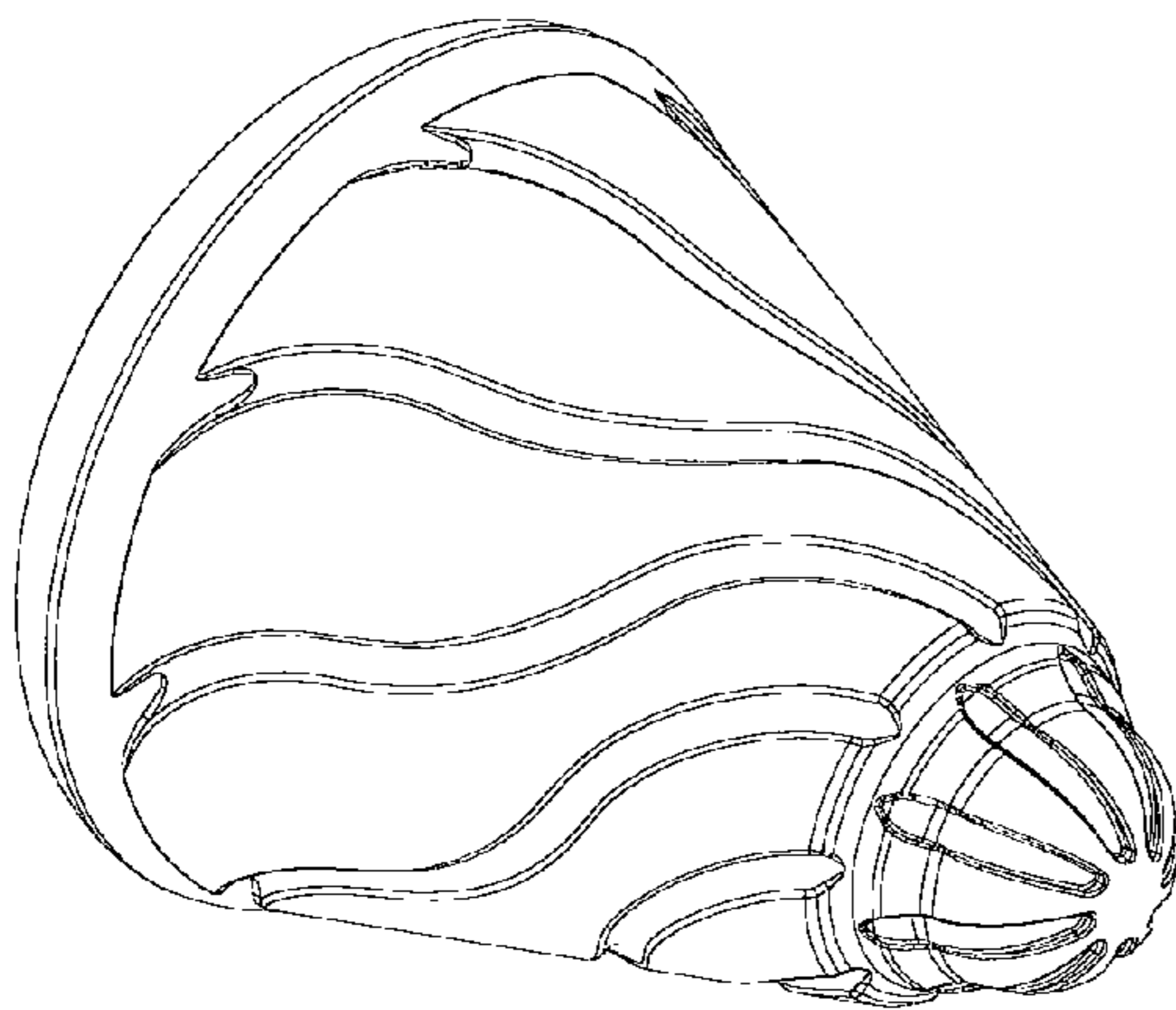


FIG. 5

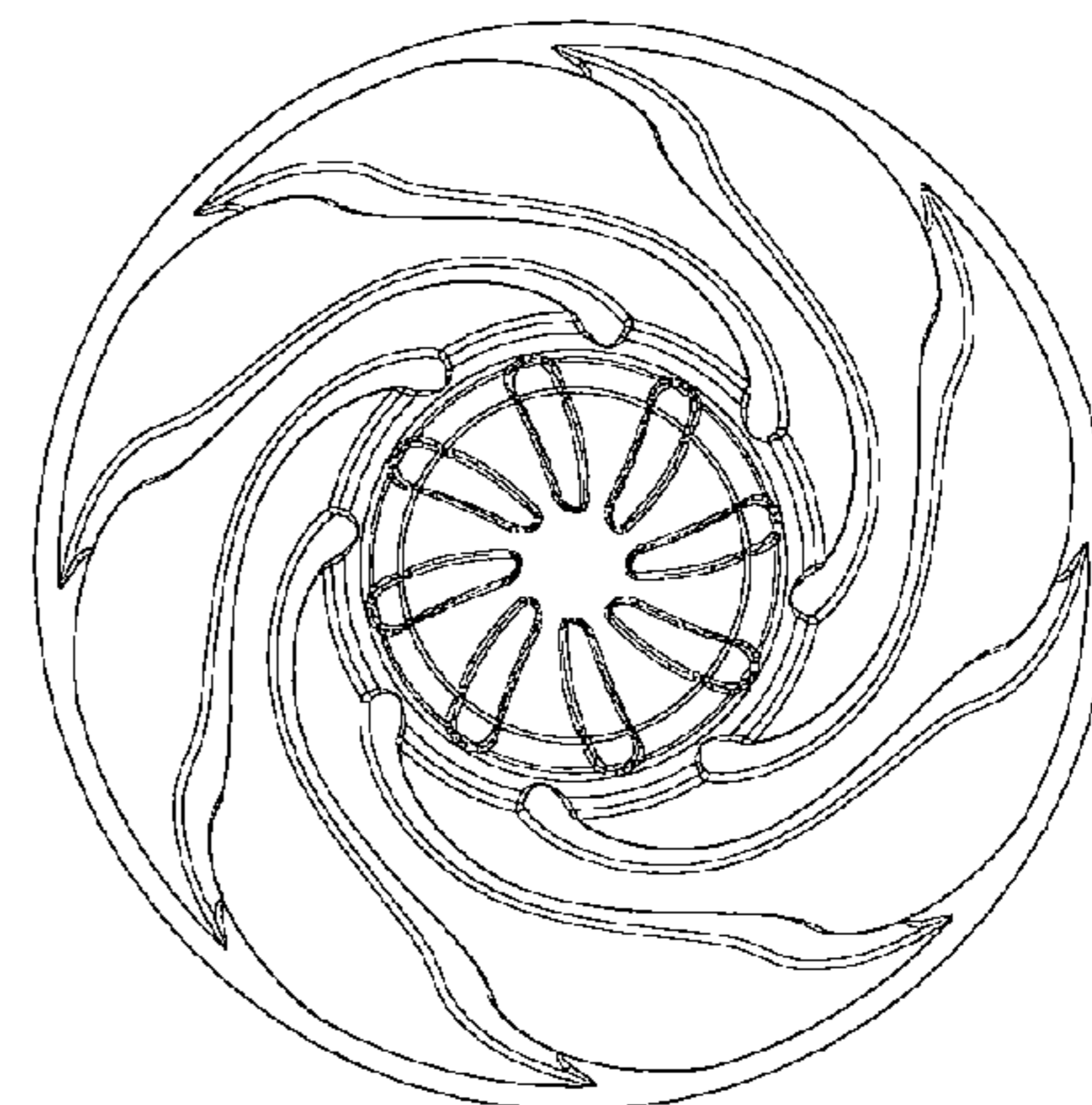


FIG. 3