



US00D563491S

(12) **United States Design Patent**
Kaplan et al.

(10) **Patent No.:** **US D563,491 S**

(45) **Date of Patent:** **** Mar. 4, 2008**

(54) **EXERCISE APPARATUS**

(76) Inventors: **Earl M. Kaplan**, 7625 SW. 126 St.,
Miami, FL (US) 33156; **Alan H.**
Mandell, 20334 NW. 2nd Ave., Miami,
FL (US) 33169

(**) Term: **14 Years**

(21) Appl. No.: **29/261,371**

(22) Filed: **Jun. 13, 2006**

(51) **LOC (8) Cl.** **21-02**

(52) **U.S. Cl.** **D21/692**

(58) **Field of Classification Search** D21/662,
D21/673, 684, 692, 694; 482/121, 122, 123,
482/124, 125, 126, 44, 49

See application file for complete search history.

(56) **References Cited**

U.S. PATENT DOCUMENTS

5,267,929	A *	12/1993	Chen	482/128
5,458,555	A *	10/1995	Ko	482/126
5,674,164	A *	10/1997	Kravitz	482/126
D404,094	S *	1/1999	Ho	D21/684
D426,275	S *	6/2000	Sealy	D21/692

6,254,517	B1 *	7/2001	Kennedy	482/121
6,364,816	B1 *	4/2002	Tang et al.	482/126
6,368,257	B1 *	4/2002	Kaplan et al.	482/124
6,436,017	B1 *	8/2002	Chen	482/121

* cited by examiner

Primary Examiner—Philip S. Hyder

(74) *Attorney, Agent, or Firm*—Malloy & Malloy, P.A.

(57) **CLAIM**

The ornamental design for exercise apparatus, as shown and described.

DESCRIPTION

FIG. 1 is a front perspective view illustrating my design for a exercise apparatus;

FIG. 2 is a front view thereof;

FIG. 3 is a left side view thereof;

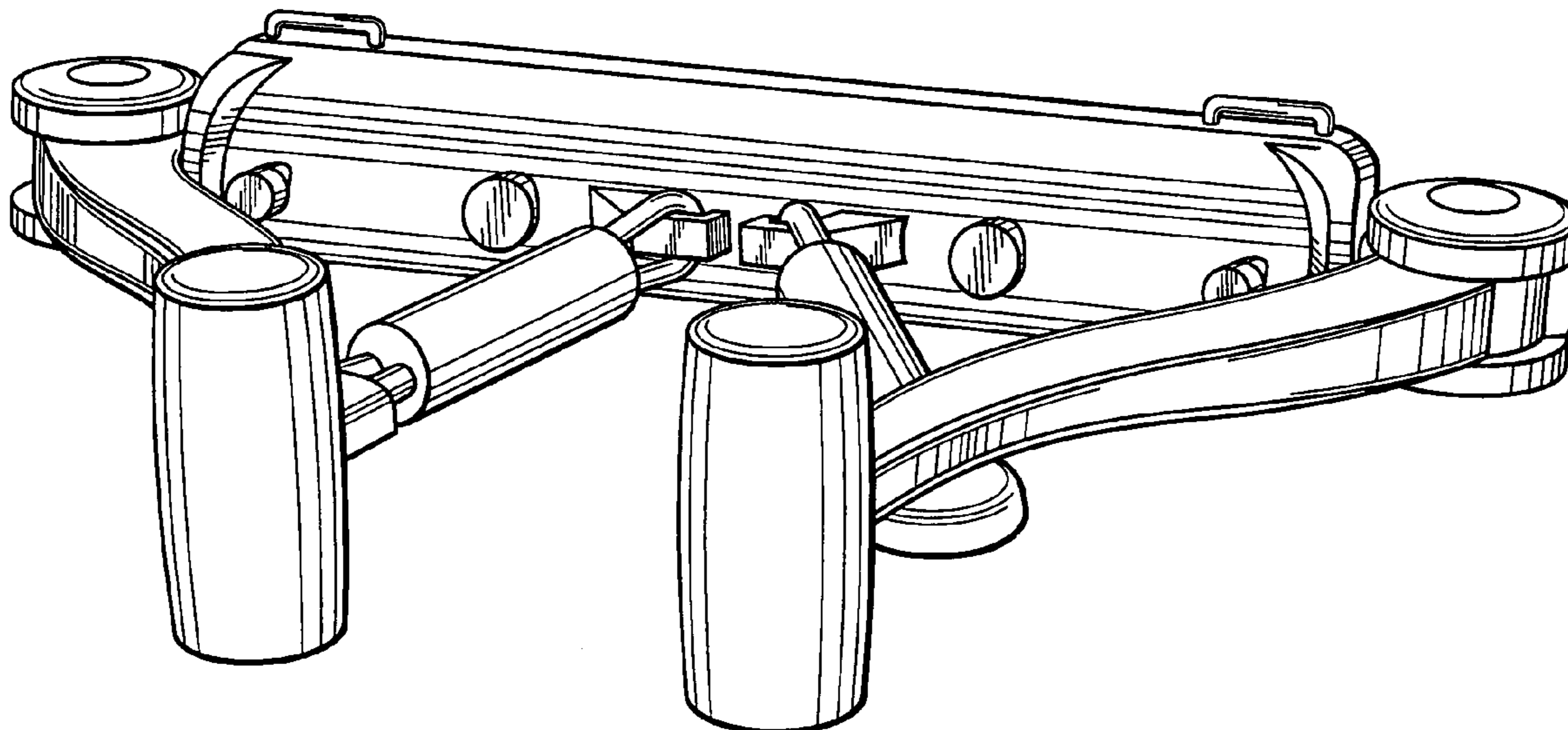
FIG. 4 is a top plan view thereof;

FIG. 5 is a right side view thereof;

FIG. 6 is a bottom plan view thereof; and,

FIG. 7 is a rear view thereof.

1 Claim, 4 Drawing Sheets



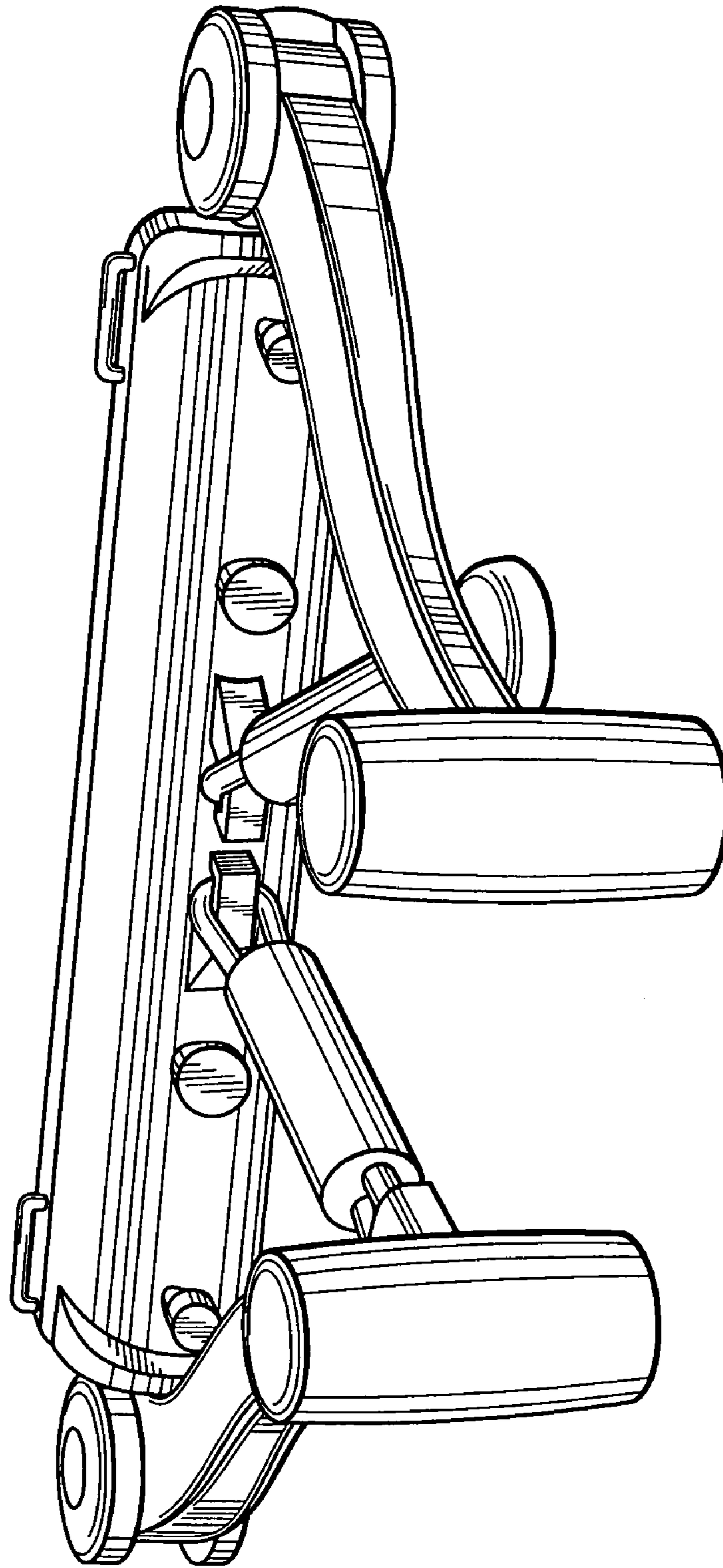
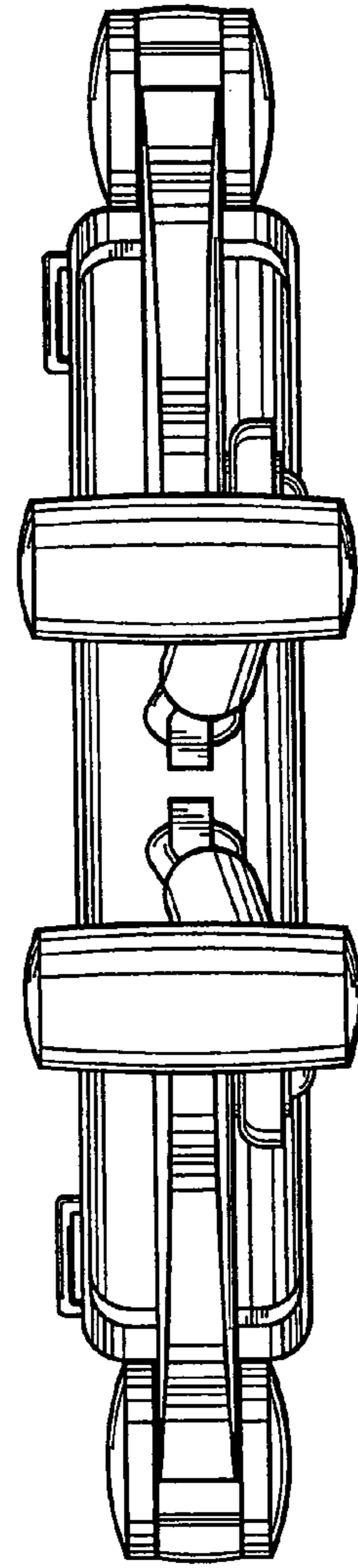
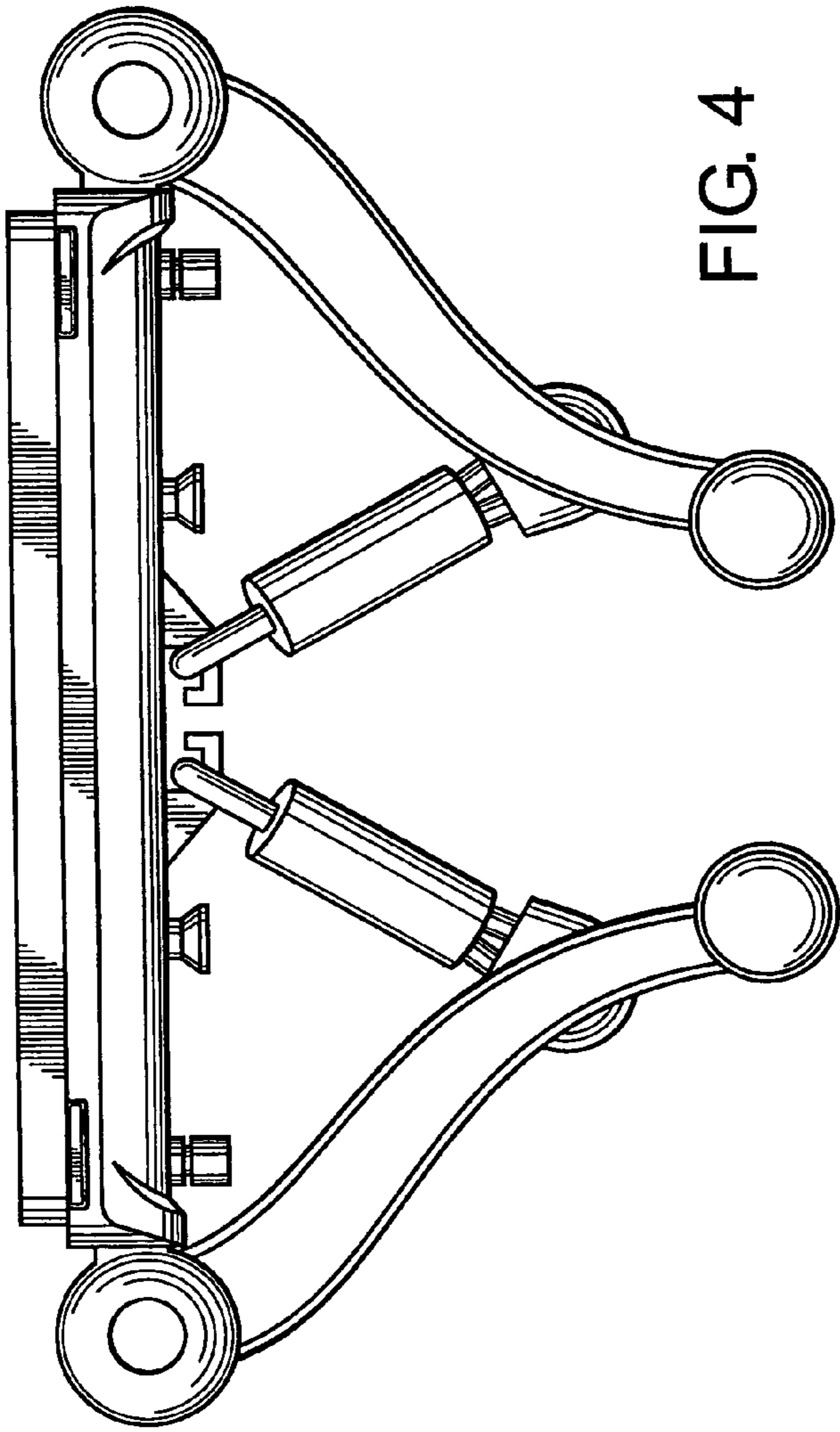


FIG. 1



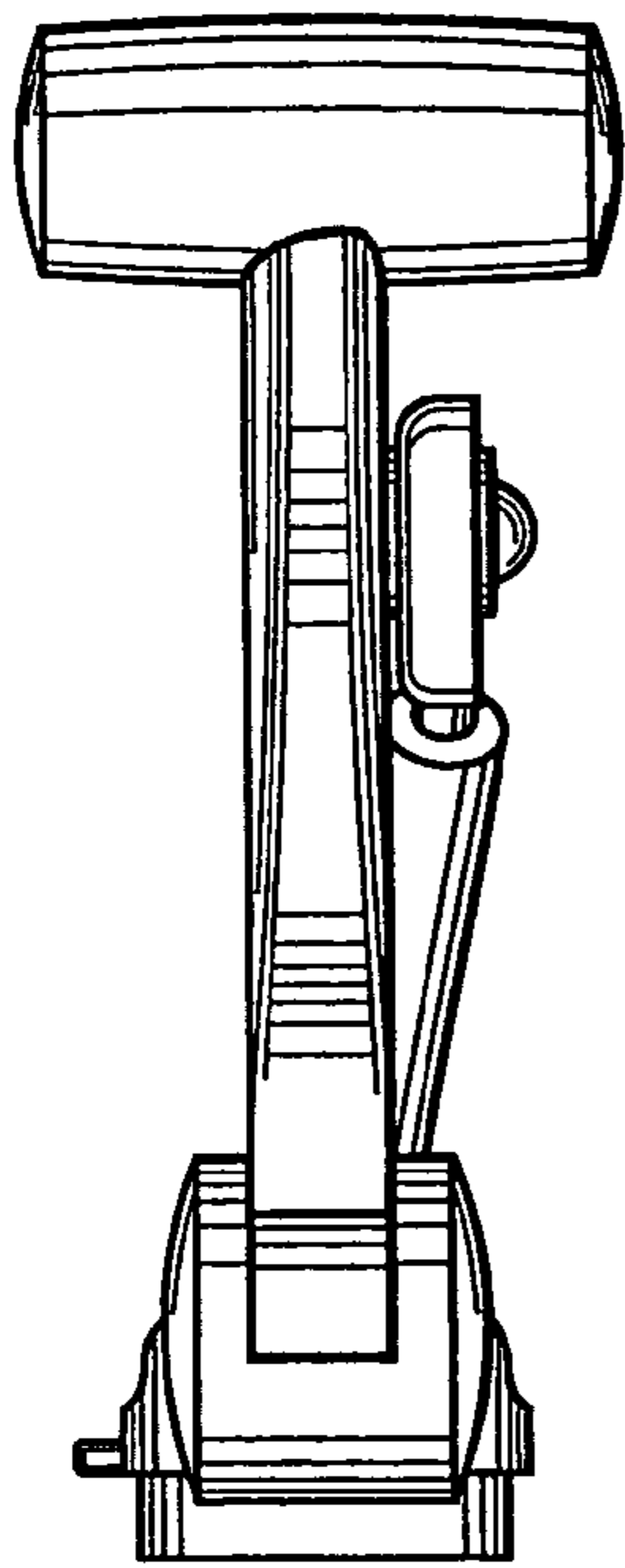


FIG. 3

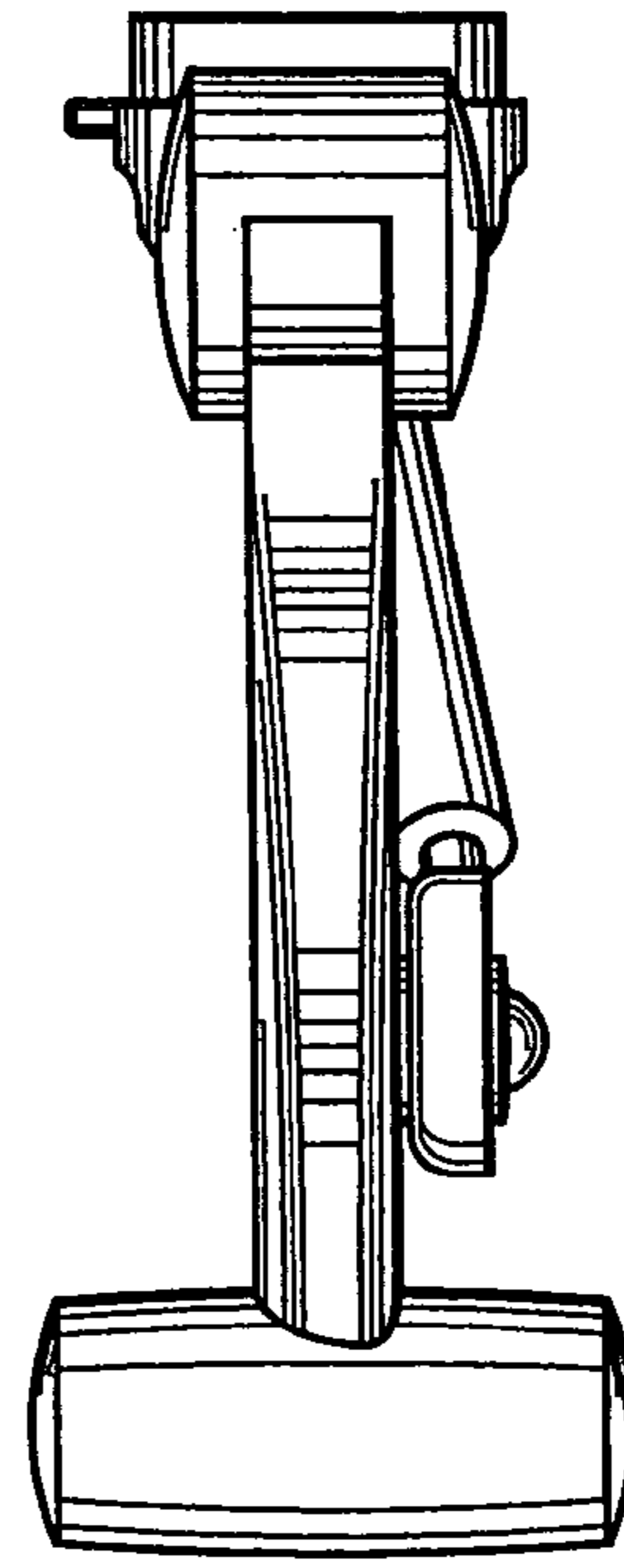


FIG. 5

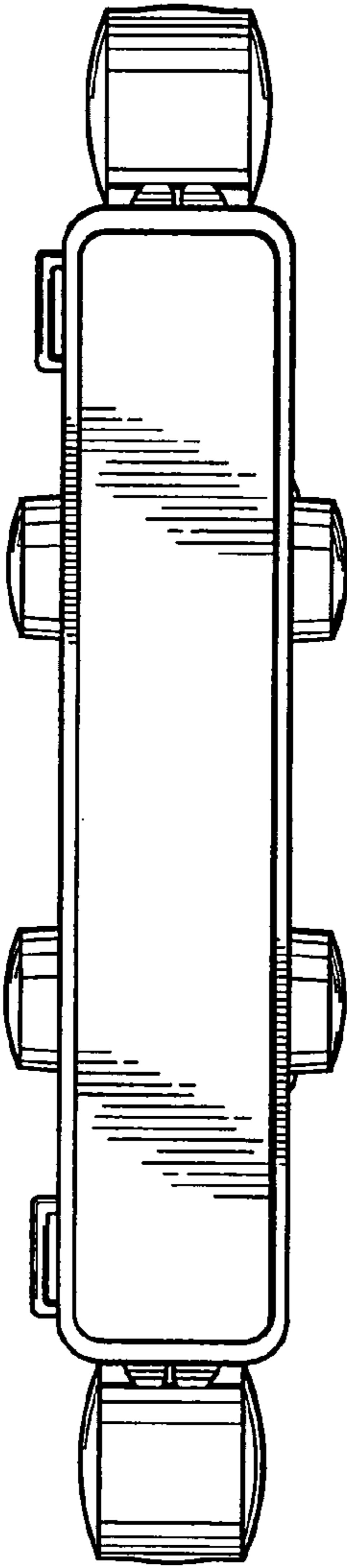


FIG. 7

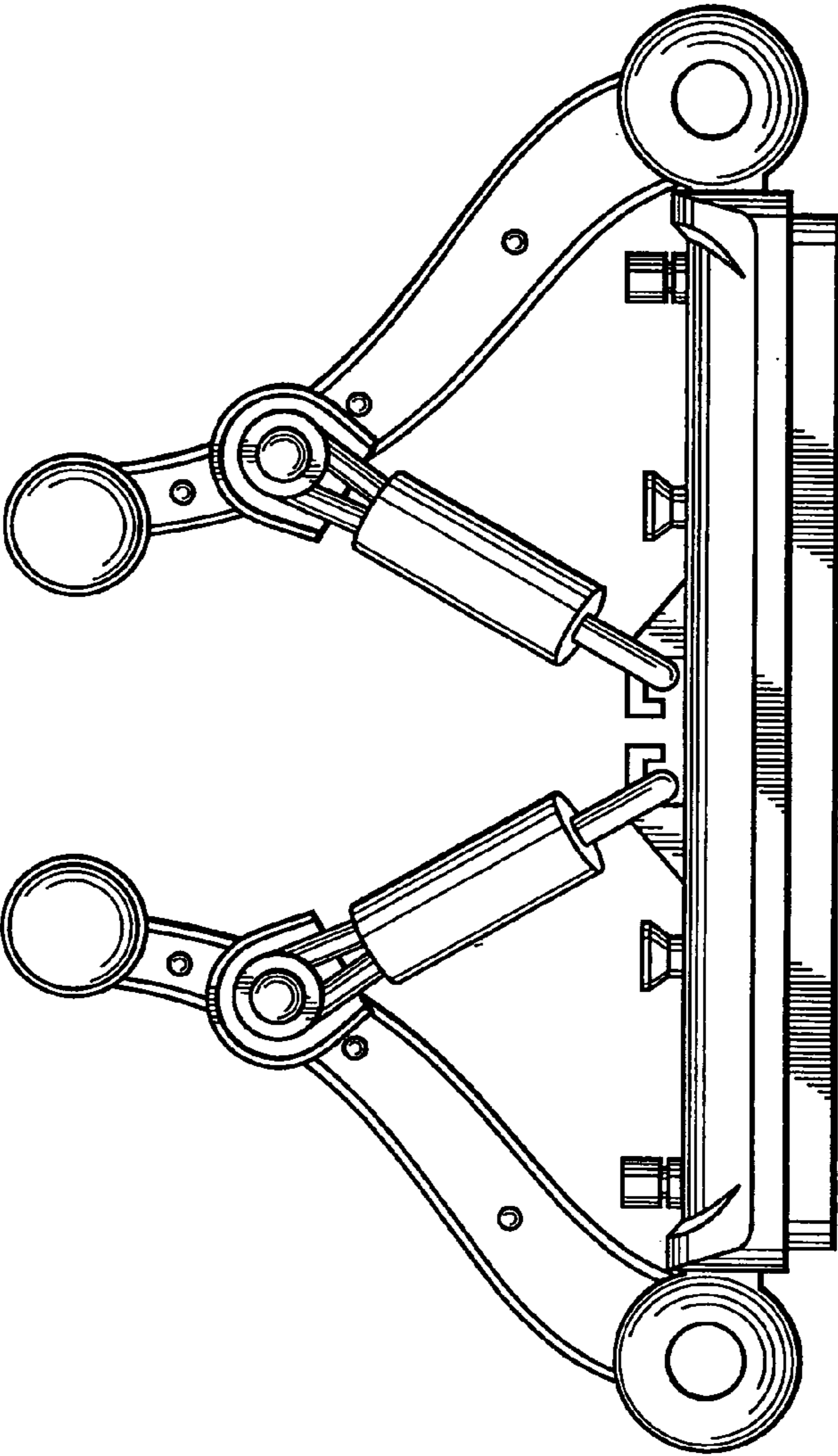


FIG. 6