

US00D563490S

(12) **United States Design Patent**
Prenatt

(10) **Patent No.:** **US D563,490 S**
(45) **Date of Patent:** **** Mar. 4, 2008**

(54) **EXERCISE DEVICE**

(76) Inventor: **Jerry Prenatt**, 17259 Shreve Run Rd.,
Pleasantville, PA (US) 16341

(**) Term: **14 Years**

(21) Appl. No.: **29/261,112**

(22) Filed: **Jun. 8, 2006**

(51) **LOC (8) Cl.** **21-02**

(52) **U.S. Cl.** **D21/680; D21/682**

(58) **Field of Classification Search** D21/662,
D21/680, 681, 682, 683, 684, 694; 482/92,
482/93, 105, 106, 108, 109; D8/14, 75; 29/254;
173/90

See application file for complete search history.

(56) **References Cited**

U.S. PATENT DOCUMENTS

1,552,073	A	9/1925	Mansfeldt	
3,756,592	A	9/1973	Johnson	
4,575,074	A	3/1986	Damratoski	
4,681,171	A *	7/1987	Kee et al.	173/90
4,720,098	A	1/1988	Gordon	
4,773,640	A	9/1988	Kolbel et al.	
5,029,849	A	7/1991	Nurkowski	
5,152,523	A	10/1992	Keen	
5,177,850	A *	1/1993	Hull et al.	29/254
5,329,685	A *	7/1994	Gillespie	29/254
5,393,284	A	2/1995	Wesley	
5,393,285	A	2/1995	Fischer, Sr. et al.	
5,398,773	A *	3/1995	Baker	173/90

5,716,305	A	2/1998	Selsam	
D422,654	S	4/2000	Chen	
6,312,364	B1 *	11/2001	Selsam	482/93
D484,561	S	12/2003	Singleton	
6,730,004	B2	5/2004	Selsam	
6,981,933	B2	1/2006	Scafidel	
D544,554	S *	6/2007	Brun	D21/680
2004/0082445	A1	4/2004	Zabel	
2005/0187075	A1	8/2005	Bellamy	
2005/0187079	A1	8/2005	Diakonov et al.	

* cited by examiner

Primary Examiner—Philip S. Hyder

(74) *Attorney, Agent, or Firm*—Oliff & Berridge, PLC

(57) **CLAIM**

The ornamental design for an exercise device, as shown and described.

DESCRIPTION

FIG. 1 is a perspective view of an exercise device;

FIG. 2 is a front side view thereof, a rear side being a mirror image of the front side;

FIG. 3 is a top view thereof;

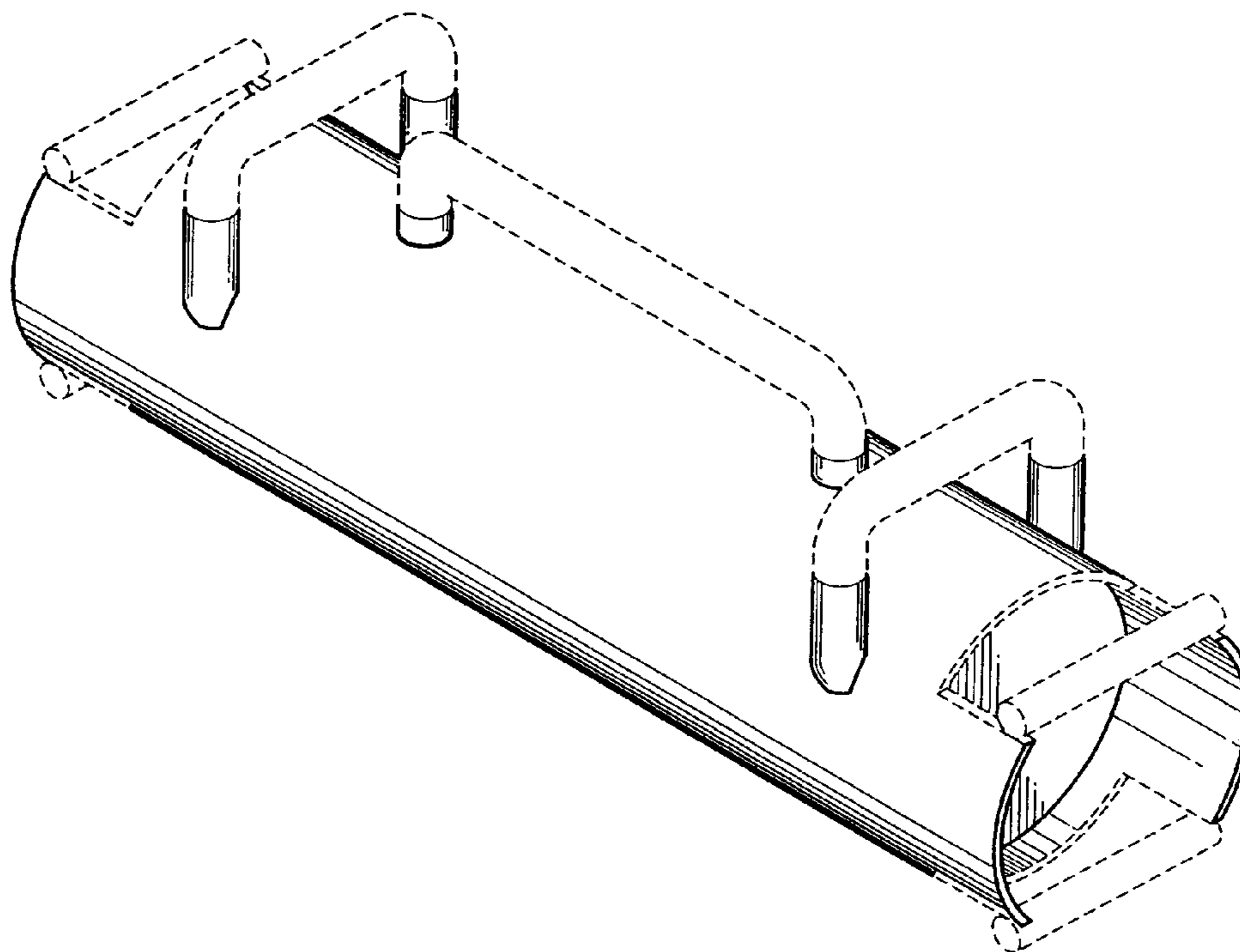
FIG. 4 is a left side view thereof;

FIG. 5 is a right side view thereof; and,

FIG. 6 is a bottom view thereof.

The broken lines are for illustrative purposes only and form no part of the claimed design.

1 Claim, 2 Drawing Sheets



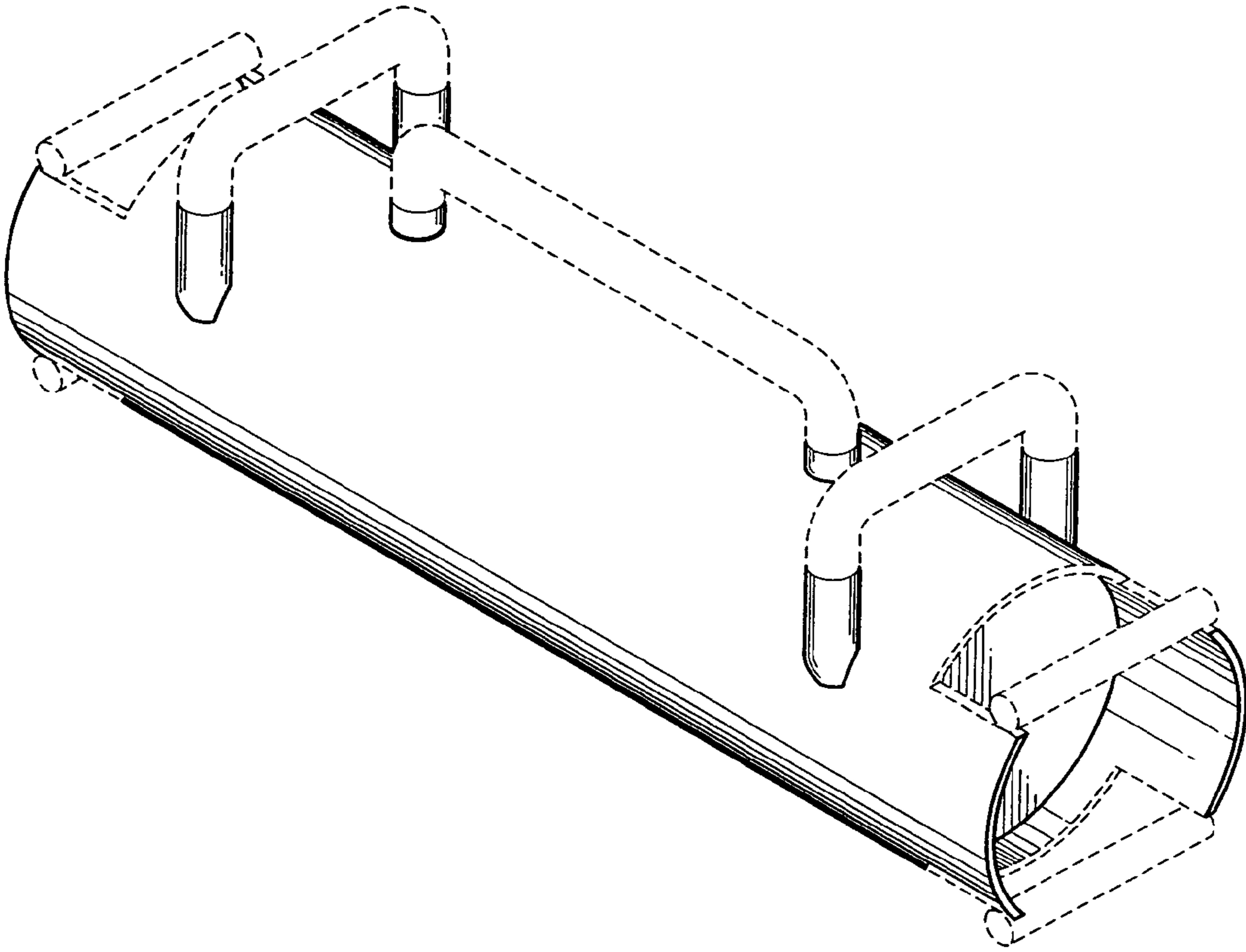


FIG. 1

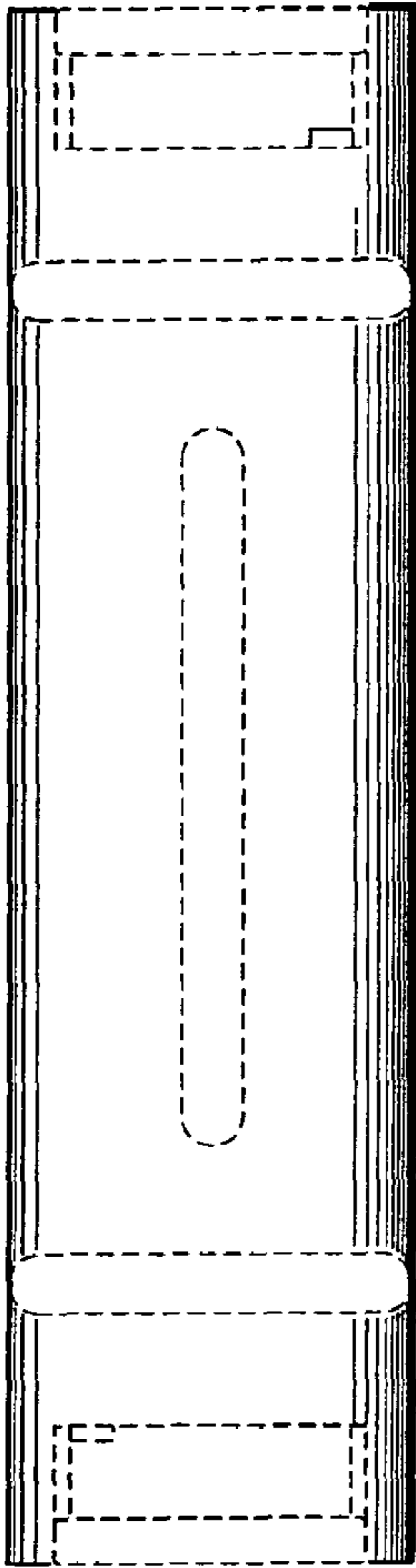


FIG. 3

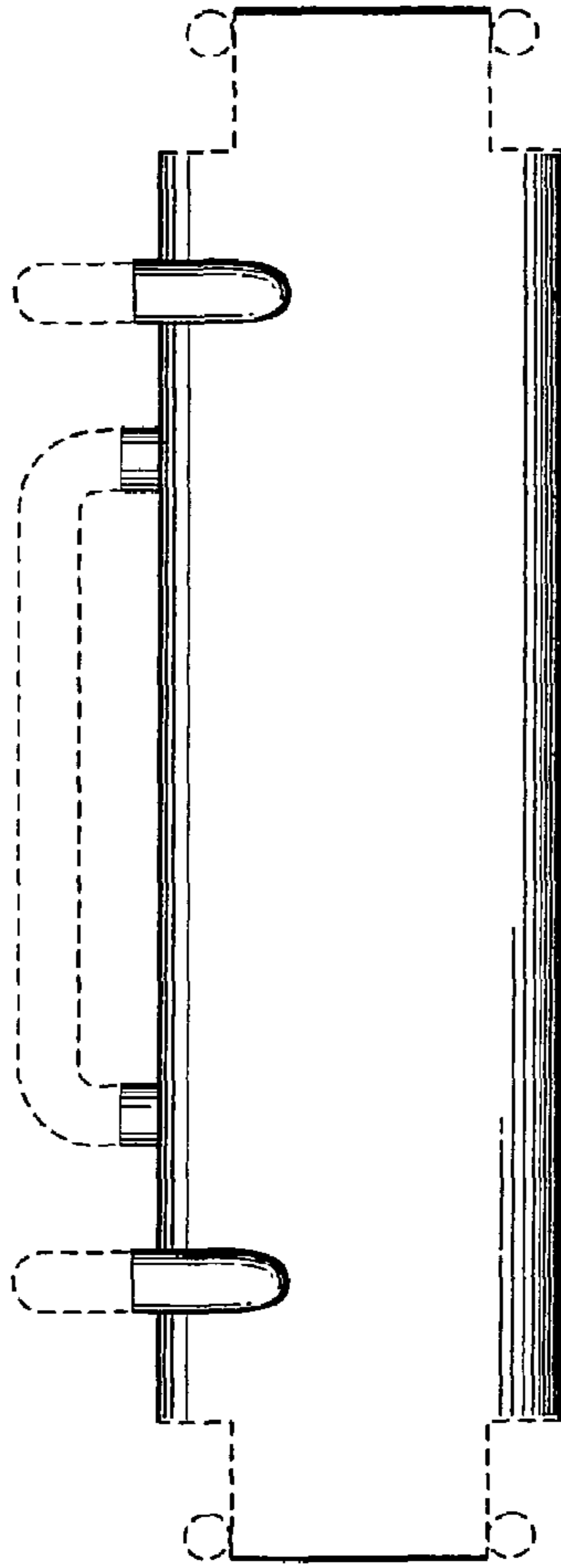


FIG. 2

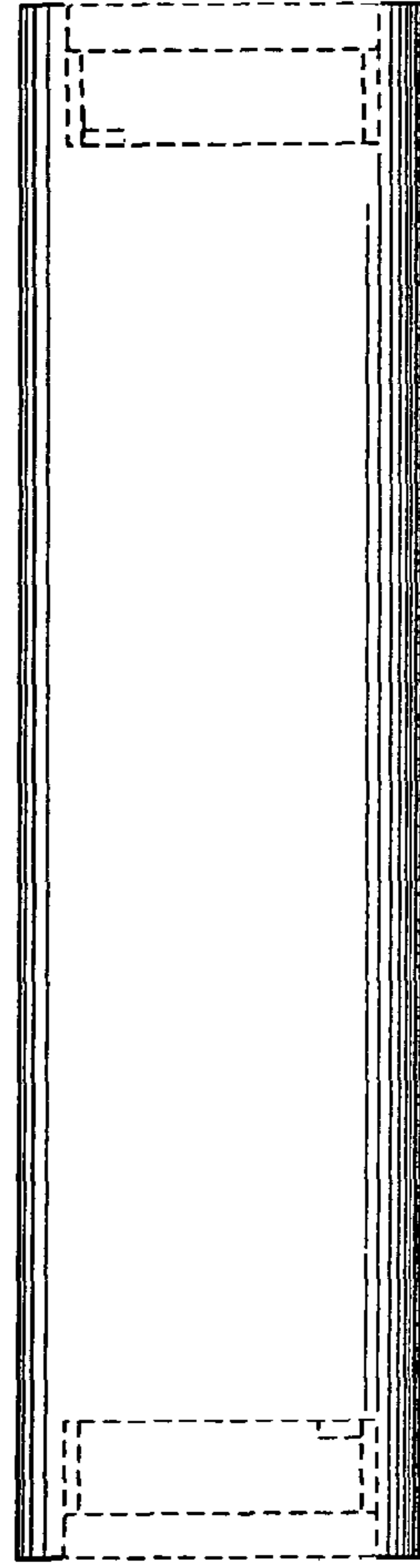


FIG. 6

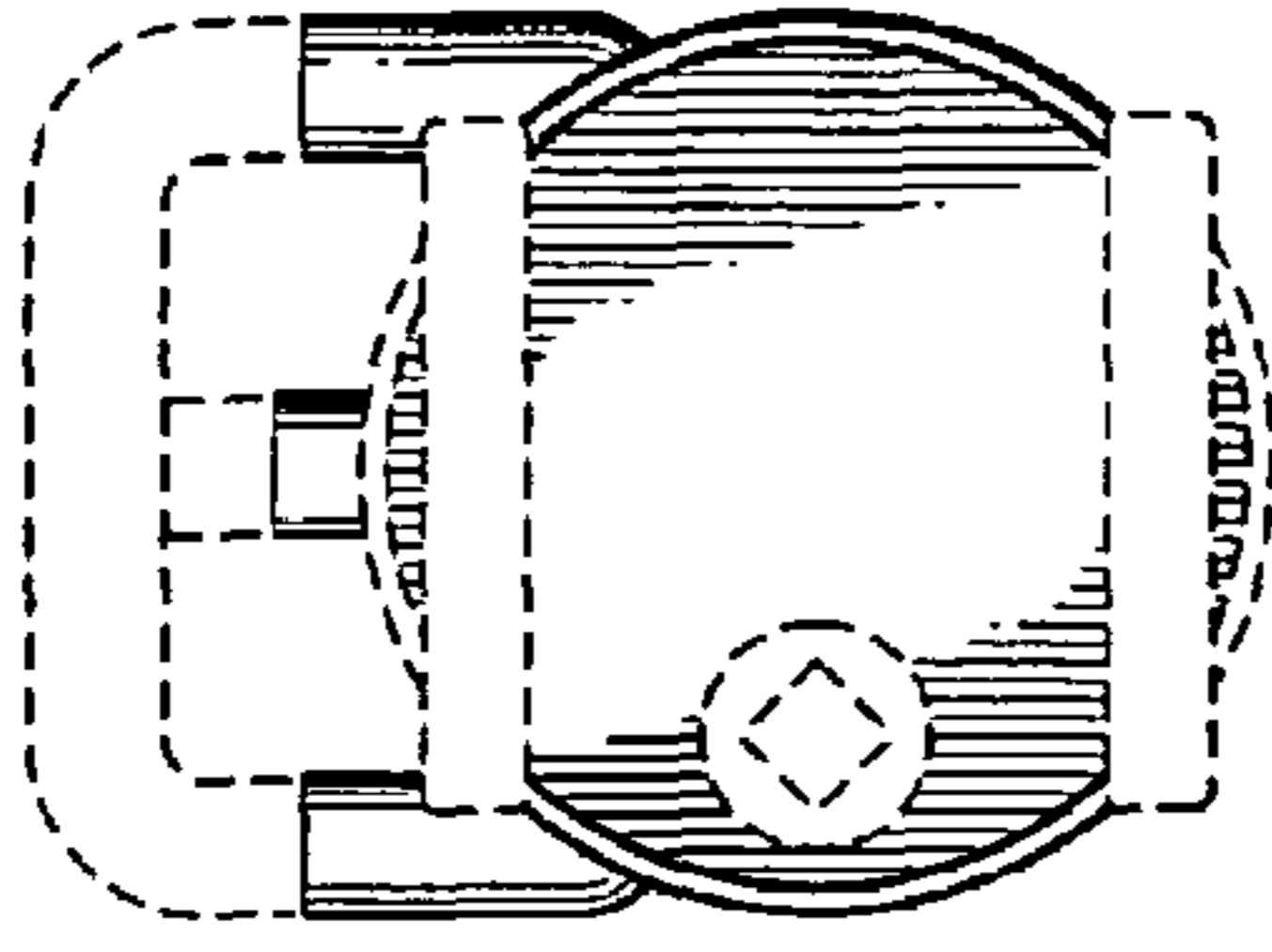


FIG. 5

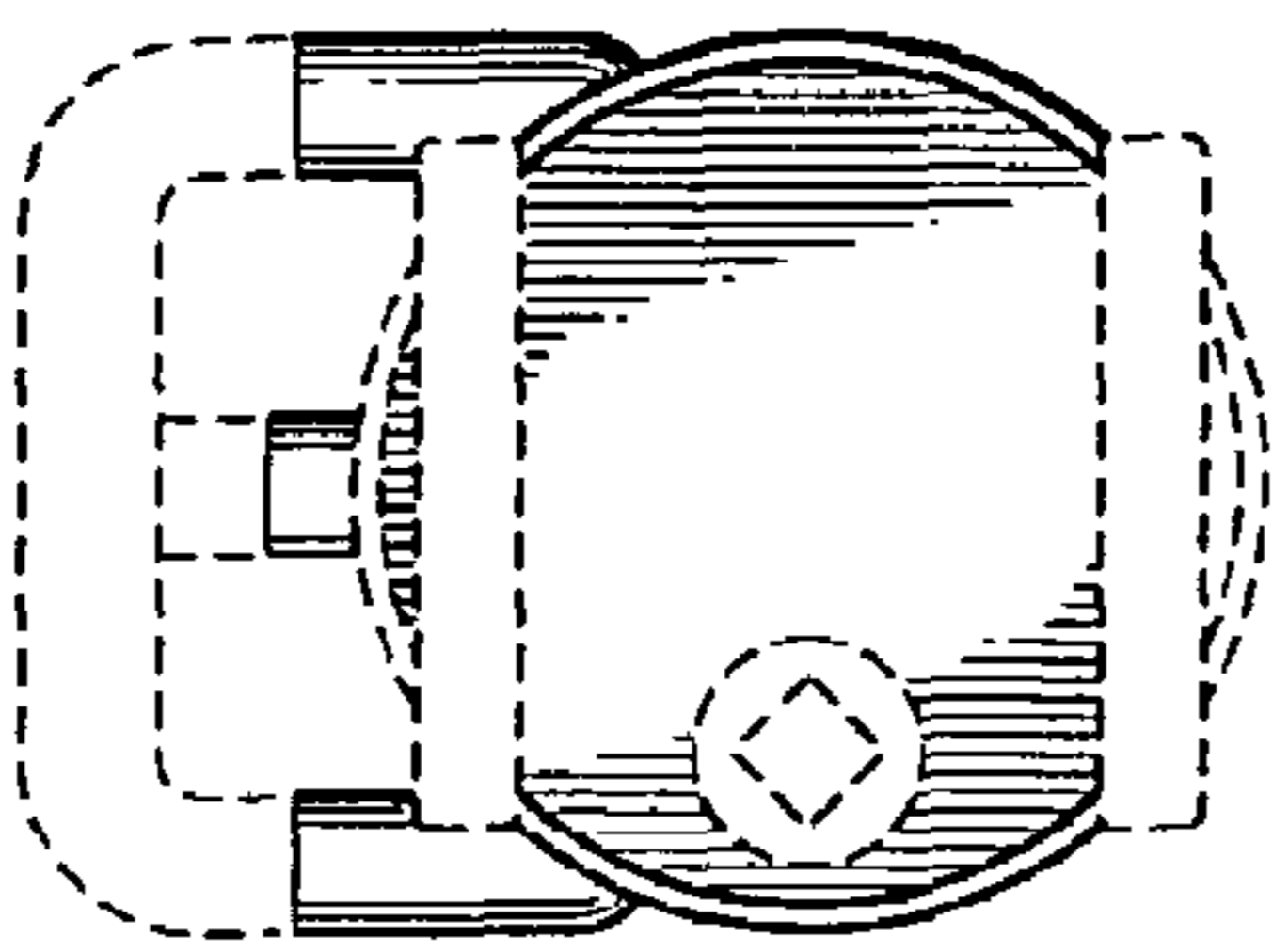


FIG. 4