



US00D563486S

(12) **United States Design Patent**  
**Slater et al.**

(10) **Patent No.:** **US D563,486 S**

(45) **Date of Patent:** **\*\* Mar. 4, 2008**

(54) **CONNECTOR FOR TOY PRODUCTS**

(75) Inventors: **Jeffrey Slater**, Raleigh, NC (US);  
**Carson Erik Ahlman**, New York, NY  
(US); **Christopher Paul Nunes**, Sleepy  
Hollow, NY (US); **Anthony Rogers**,  
Holland, PA (US)

(73) Assignee: **Nomaco, Inc.**, Zebulon, NC (US)

(\*\*) Term: **14 Years**

(21) Appl. No.: **29/285,224**

(22) Filed: **Mar. 23, 2007**

(51) **LOC (8) Cl.** ..... **21-01**

(52) **U.S. Cl.** ..... **D21/498**

(58) **Field of Classification Search** ..... D21/386,  
D21/484, 488, 498, 398, 468, 475, 713; 446/85,  
446/87, 122, 124; D30/160; D8/382  
See application file for complete search history.

(56) **References Cited**

**U.S. PATENT DOCUMENTS**

D235,157 S \* 5/1975 Echterling ..... D21/498  
D257,271 S \* 10/1980 Gabriel ..... D21/498

D283,634 S \* 4/1986 Kato et al. .... D21/498  
D287,988 S \* 1/1987 Billinghamst ..... D21/713  
D314,455 S \* 2/1991 Morton ..... D30/160  
5,236,196 A \* 8/1993 Blankenburg et al. .... 446/87  
D437,010 S \* 1/2001 Meys ..... D21/498  
D531,229 S \* 10/2006 Vanbeneden ..... D21/386  
D549,889 S \* 8/2007 Winkler et al. .... D30/160

\* cited by examiner

*Primary Examiner*—Holly H. Baynham

*Assistant Examiner*—Cynthia M. Chin

(74) *Attorney, Agent, or Firm*—Melvin I. Stoltz

(57) **CLAIM**

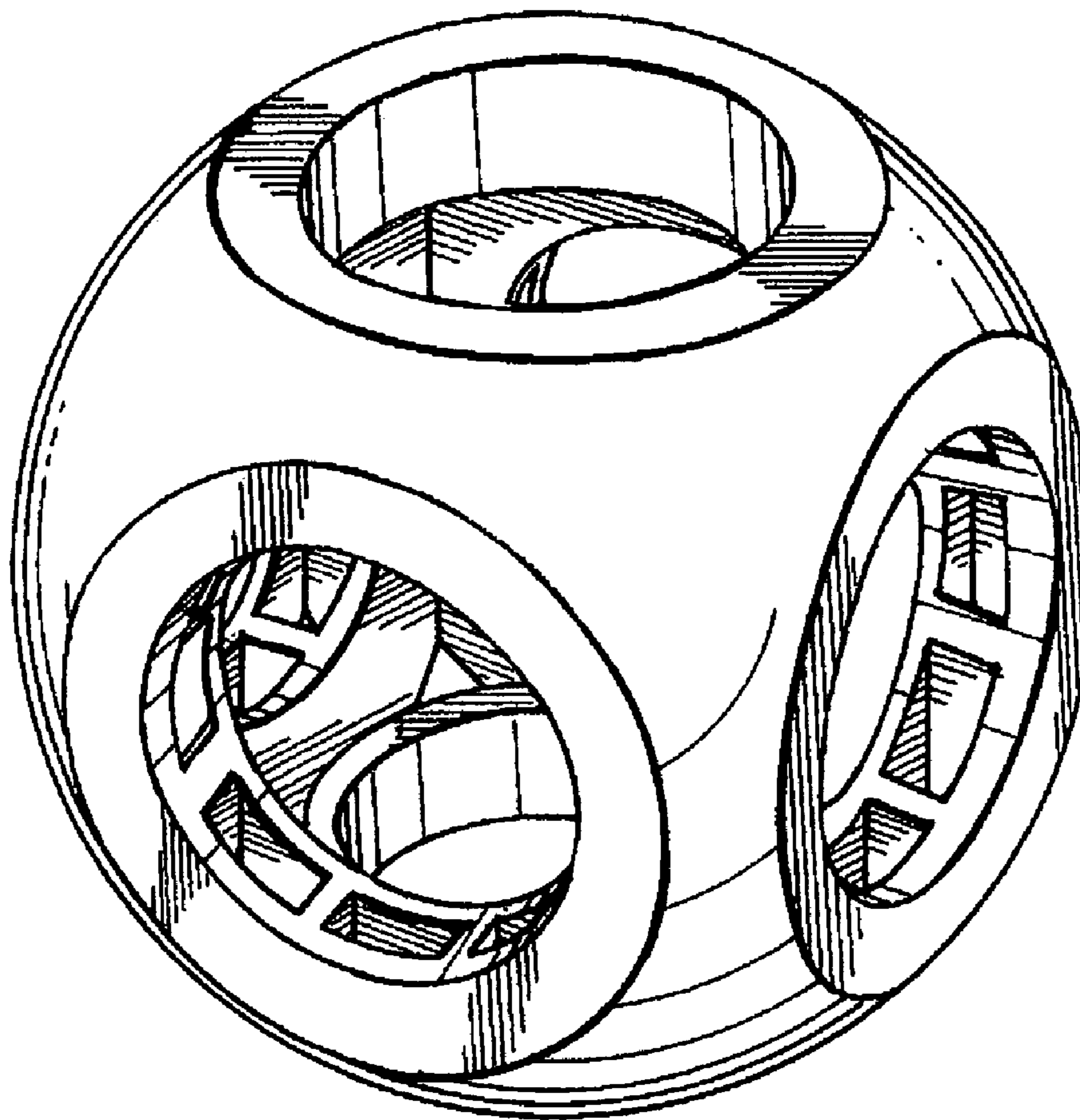
The ornamental design for a connector for toy products, as shown and described.

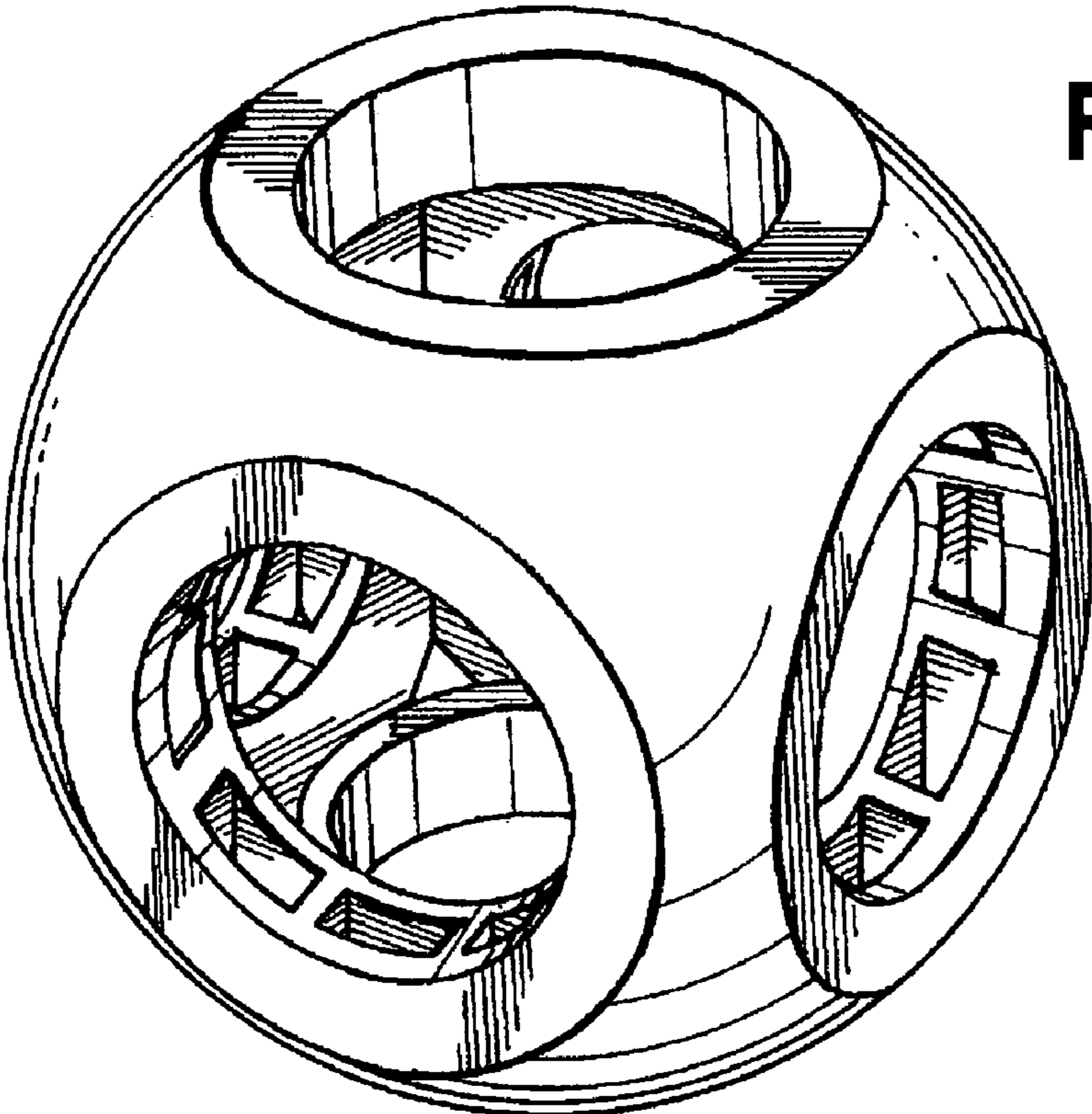
**DESCRIPTION**

FIG. 1 is a perspective view of the connector for toy products showing our new design; and,

FIG. 2 is a front elevational view thereof, with the rear elevational view, the top plan view, the bottom plan view and the side elevational views thereof being identical in appearance.

**1 Claim, 1 Drawing Sheet**





**FIG. 1**

**FIG. 2**

