

US00D563485S

(12) **United States Design Patent**  
**Glickman**

(10) **Patent No.:** **US D563,485 S**

(45) **Date of Patent:** **\*\* Mar. 4, 2008**

(54) **CONSTRUCTION TOY COMPONENT**

D316,282 S \* 4/1991 Winston ..... D21/486  
D410,708 S \* 6/1999 Toft ..... D21/503

(75) Inventor: **Joel Glickman**, Jupiter, FL (US)

\* cited by examiner

(73) Assignee: **K'NEX Limited Partnership Group**,  
Hatfield, PA (US)

*Primary Examiner*—Holly H. Baynham

*Assistant Examiner*—Cynthia M. Chin

(\*\*) Term: **14 Years**

(74) *Attorney, Agent, or Firm*—Schweitzer Cornman Gross  
& Bondell LLP

(21) Appl. No.: **29/271,488**

(57) **CLAIM**

(22) Filed: **Jan. 19, 2007**

The ornamental design for a construction toy component, as shown and described.

(51) **LOC (8) Cl.** ..... **21-01**

(52) **U.S. Cl.** ..... **D21/484**

(58) **Field of Classification Search** ..... D21/484–505;  
D25/113–118; D8/382; 446/69, 85, 102–128;  
434/259; 273/153, 156

See application file for complete search history.

**DESCRIPTION**

FIG. 1 is a perspective view from the front;

FIG. 2 is a front elevation view, the rear view being identical;

FIG. 3 is a first side elevation view, the second side being identical; and,

FIG. 4 is a top plan view, the bottom view being identical.

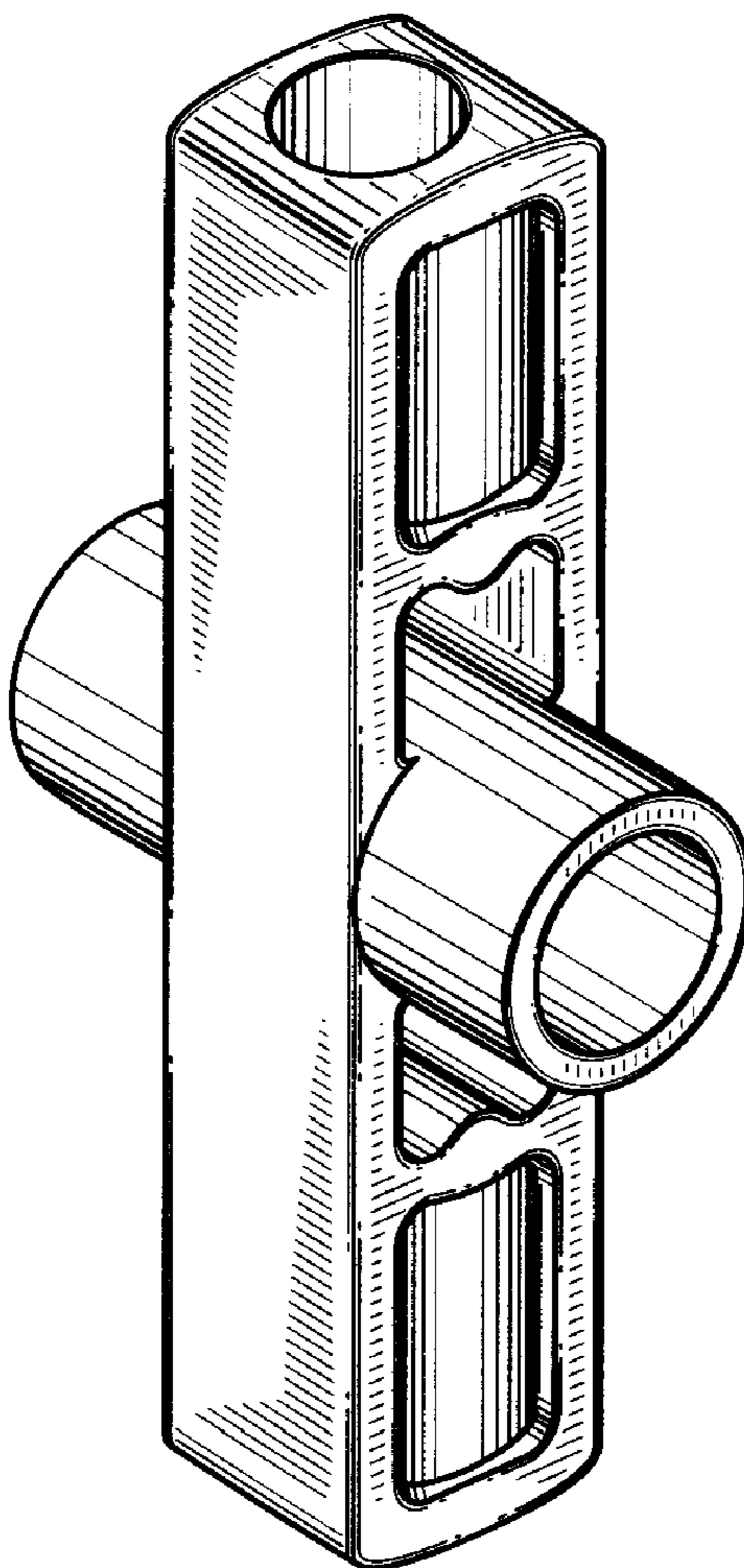
(56) **References Cited**

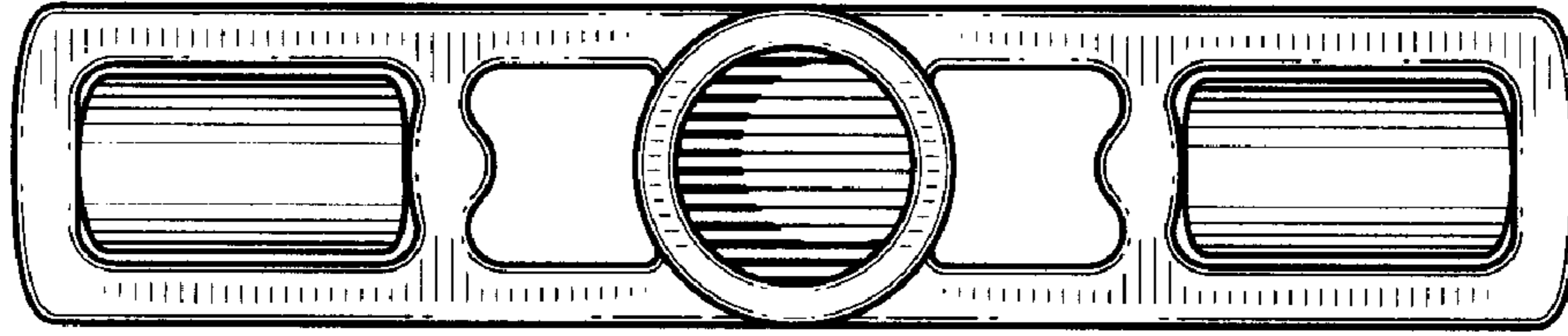
**U.S. PATENT DOCUMENTS**

2,042,007 A \* 5/1936 Kennedy ..... 446/121

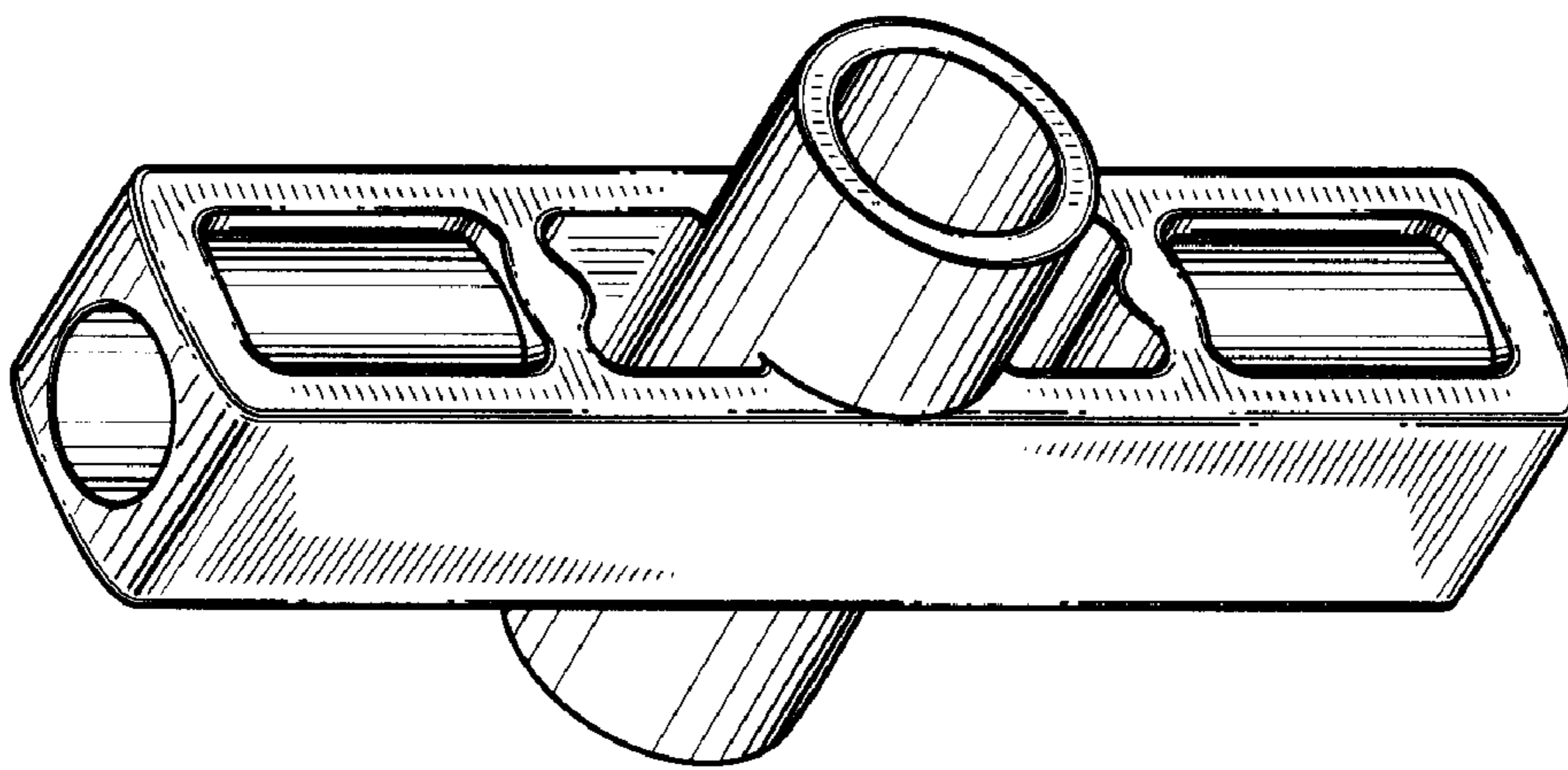
D286,168 S \* 10/1986 Mazzoleni ..... D21/484

**1 Claim, 2 Drawing Sheets**

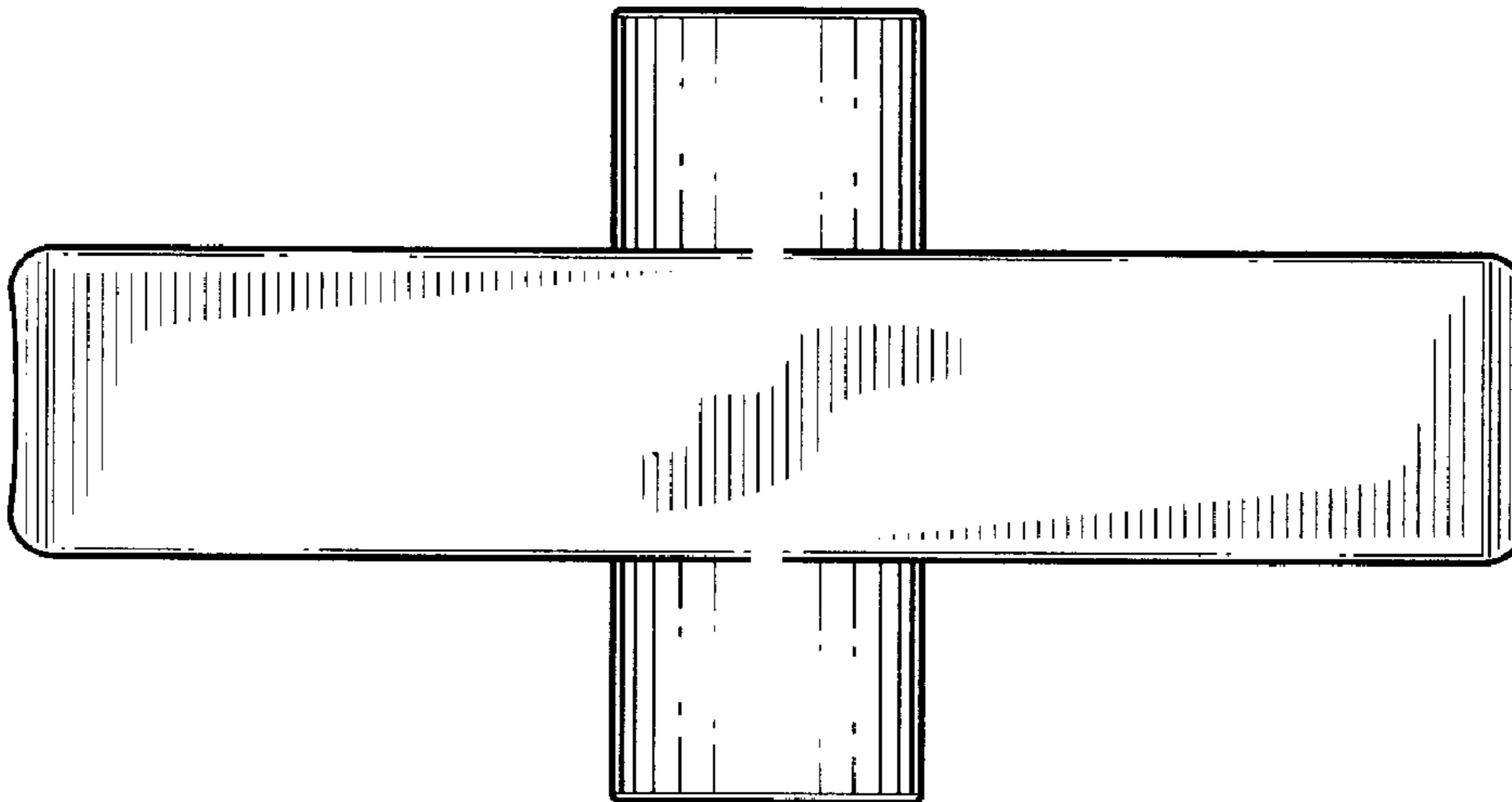




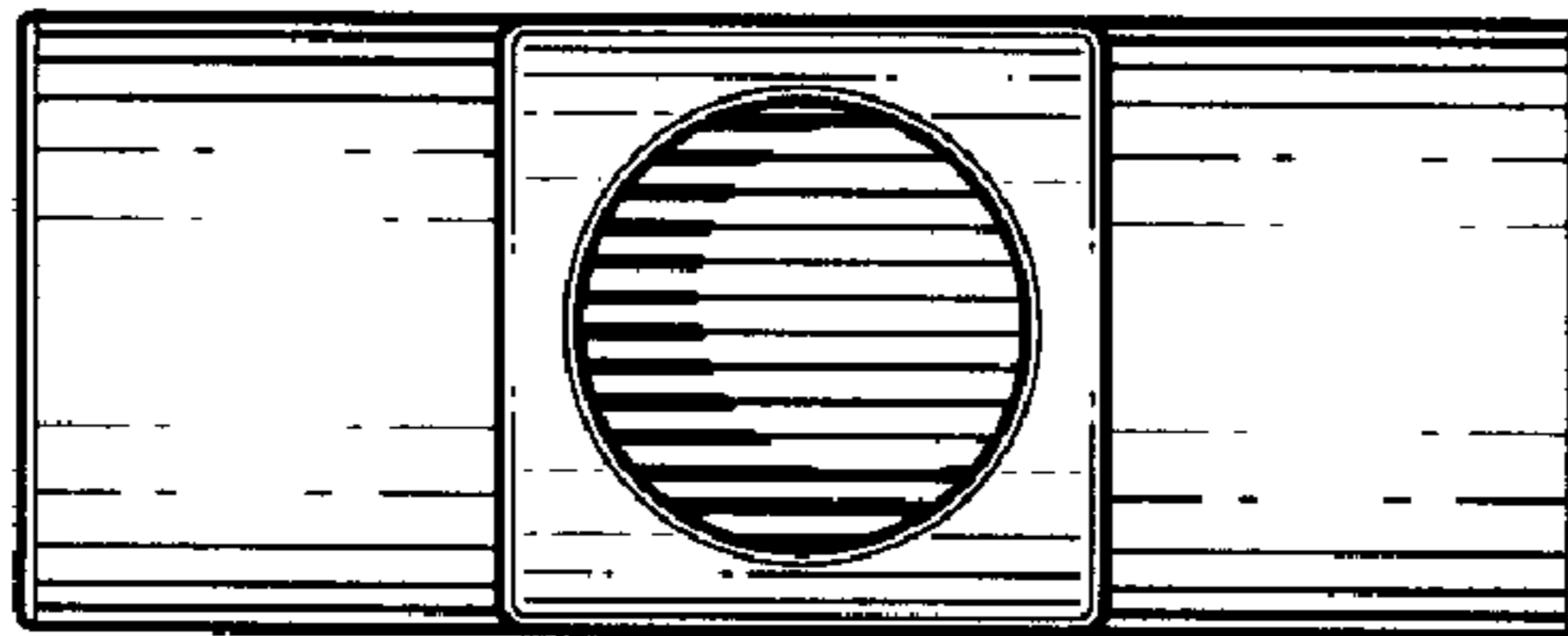
**FIG. 2**



**FIG. 1**



**FIG. 3**



**FIG. 4**