



US00D563484S

(12) **United States Design Patent**  
**Laatz**

(10) **Patent No.:** **US D563,484 S**  
(45) **Date of Patent:** **\*\* Mar. 4, 2008**

(54) **MOTOR SCOOTER**

(75) Inventor: **Richard B. Laatz**, Las Vegas, NV (US)

(73) Assignee: **KJ's Inc.**, Las Vegas, NV (US)

(\*\*) Term: **14 Years**

(21) Appl. No.: **29/269,595**

(22) Filed: **Dec. 4, 2006**

(51) **LOC (8) Cl.** ..... **21-01**

(52) **U.S. Cl.** ..... **D21/423**

(58) **Field of Classification Search** ..... D21/419,  
D21/421, 423, 424, 426, 533, 538; D12/1,  
D12/107, 110-113; 280/87.021, 87.041,  
280/263, 288.1, 228.3, 200, 210, 214; 180/180,  
180/181, 218, 219

See application file for complete search history.

(56) **References Cited**

**U.S. PATENT DOCUMENTS**

2,486,689	A	11/1949	Tibores et al.	
2,792,236	A	5/1957	Jacquart	
4,821,832	A	4/1989	Patmont	
4,830,133	A	5/1989	Gaddi	
5,388,659	A	2/1995	Pepe	
D364,845	S	12/1995	Witthaus	
5,494,128	A	2/1996	Witthaus	
6,012,539	A	1/2000	Patmont	
6,095,274	A	8/2000	Patmont	
6,213,561	B1	4/2001	Witthaus	
6,338,393	B1	1/2002	Martin	
6,347,681	B1	2/2002	Patmont et al.	
6,406,042	B1	6/2002	Tsai	
D464,002	S *	10/2002	Ho	D12/110

D464,379	S *	10/2002	Lin	D21/423
D479,285	S *	9/2003	Jung	D21/423
D487,908	S *	3/2004	Mayer et al.	D21/423
D513,629	S *	1/2006	Sramek	D21/423
D513,772	S *	1/2006	Otis et al.	D21/423
2001/0030404	A1	10/2001	Liu	
2003/0085067	A1	5/2003	Martin	

**FOREIGN PATENT DOCUMENTS**

GB	2 290 508 A	3/1996
WO	WO 02/20339 A1	3/2002

\* cited by examiner

*Primary Examiner*—Holly H. Baynham

*Assistant Examiner*—Cynthia M. Chin

(74) *Attorney, Agent, or Firm*—Stetina Brunda Garred & Brucker

(57) **CLAIM**

The ornamental design for a motor scooter, as shown and described.

**DESCRIPTION**

FIG. 1 is a right side perspective view showing the motor scooter of the present invention showing my new design;

FIG. 2 is a left side view thereof;

FIG. 3 is a top plan view thereof;

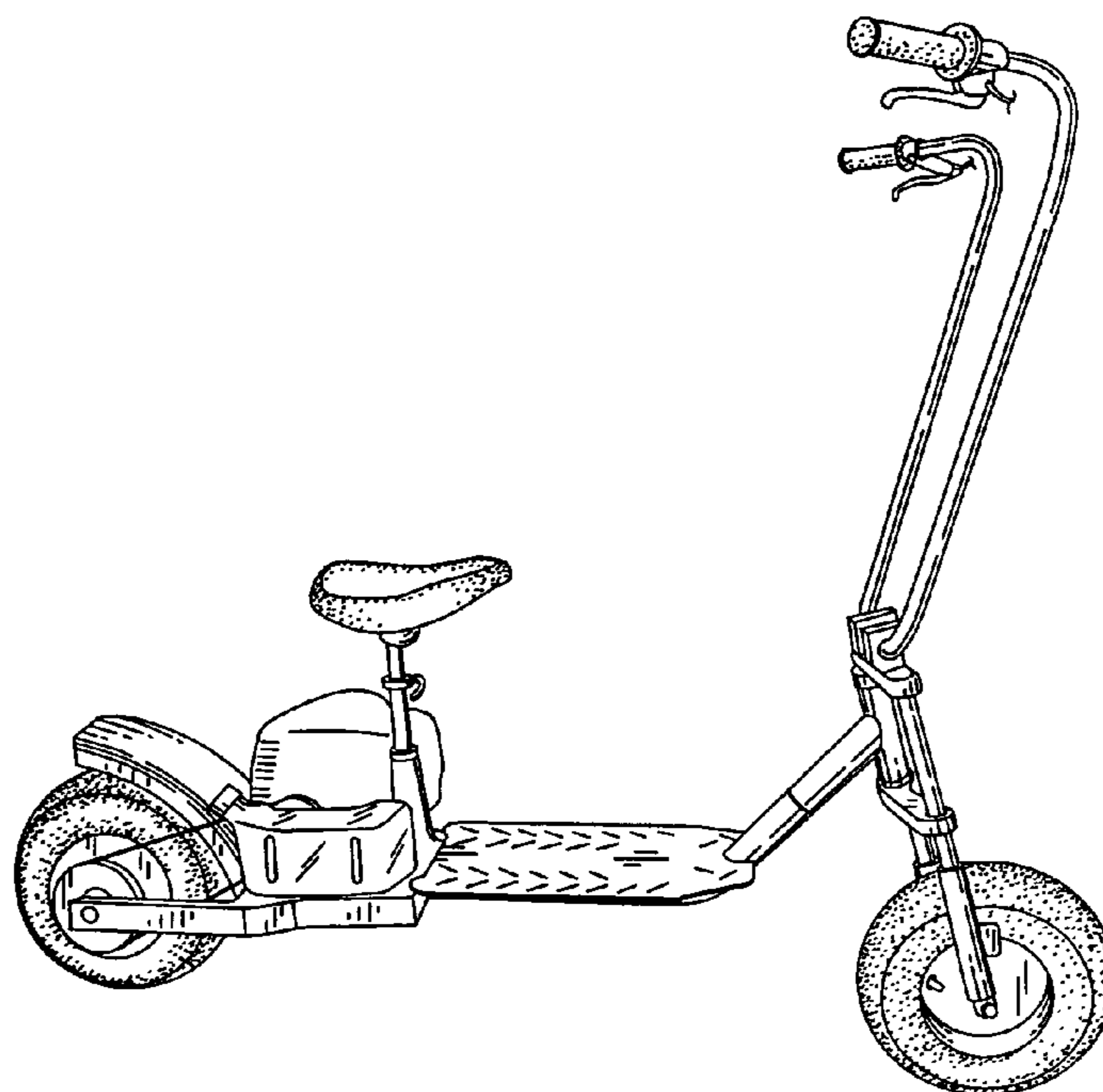
FIG. 4 is a right side view thereof;

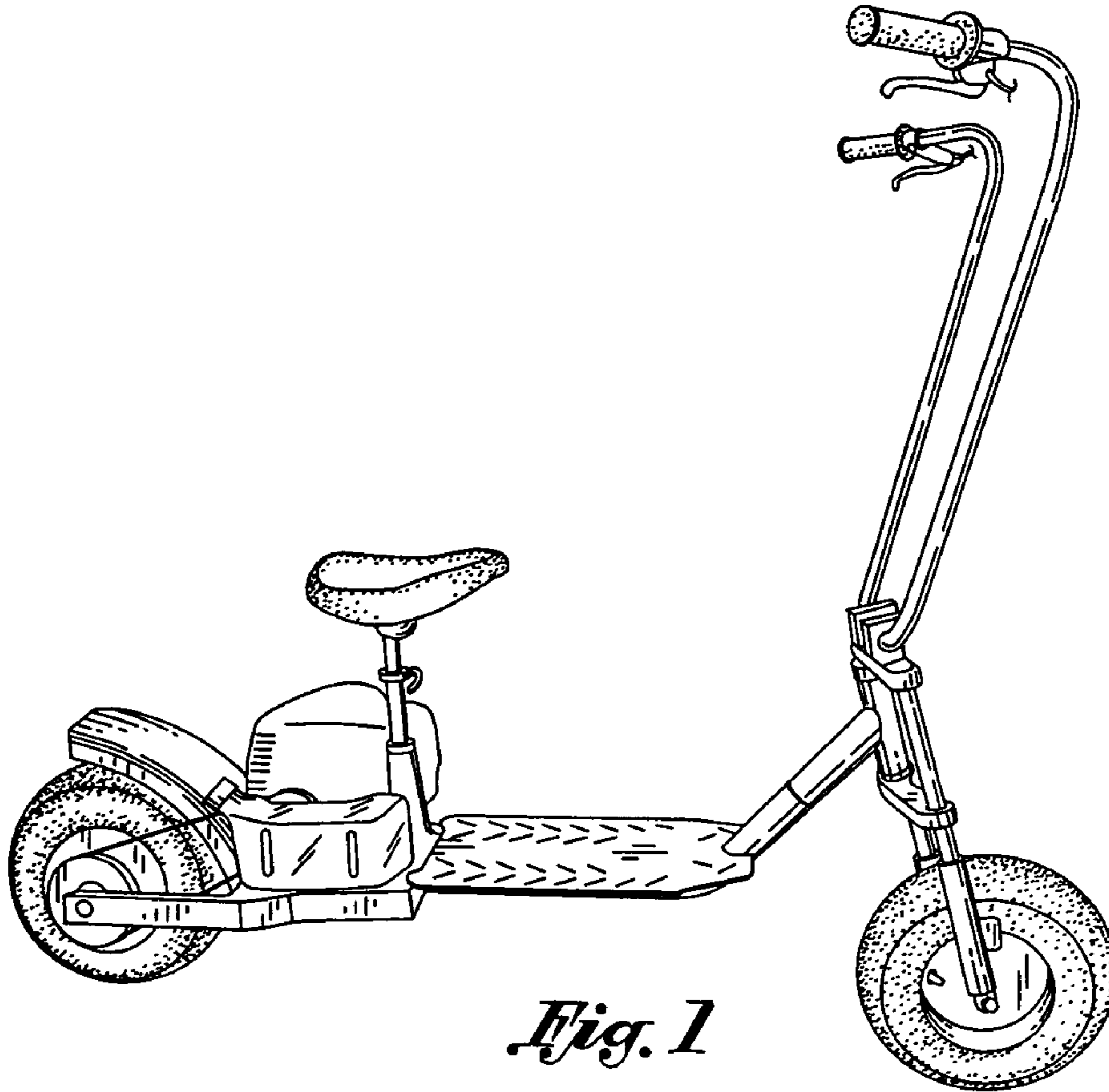
FIG. 5 is a bottom plan view thereof;

FIG. 6 is a front view thereof; and,

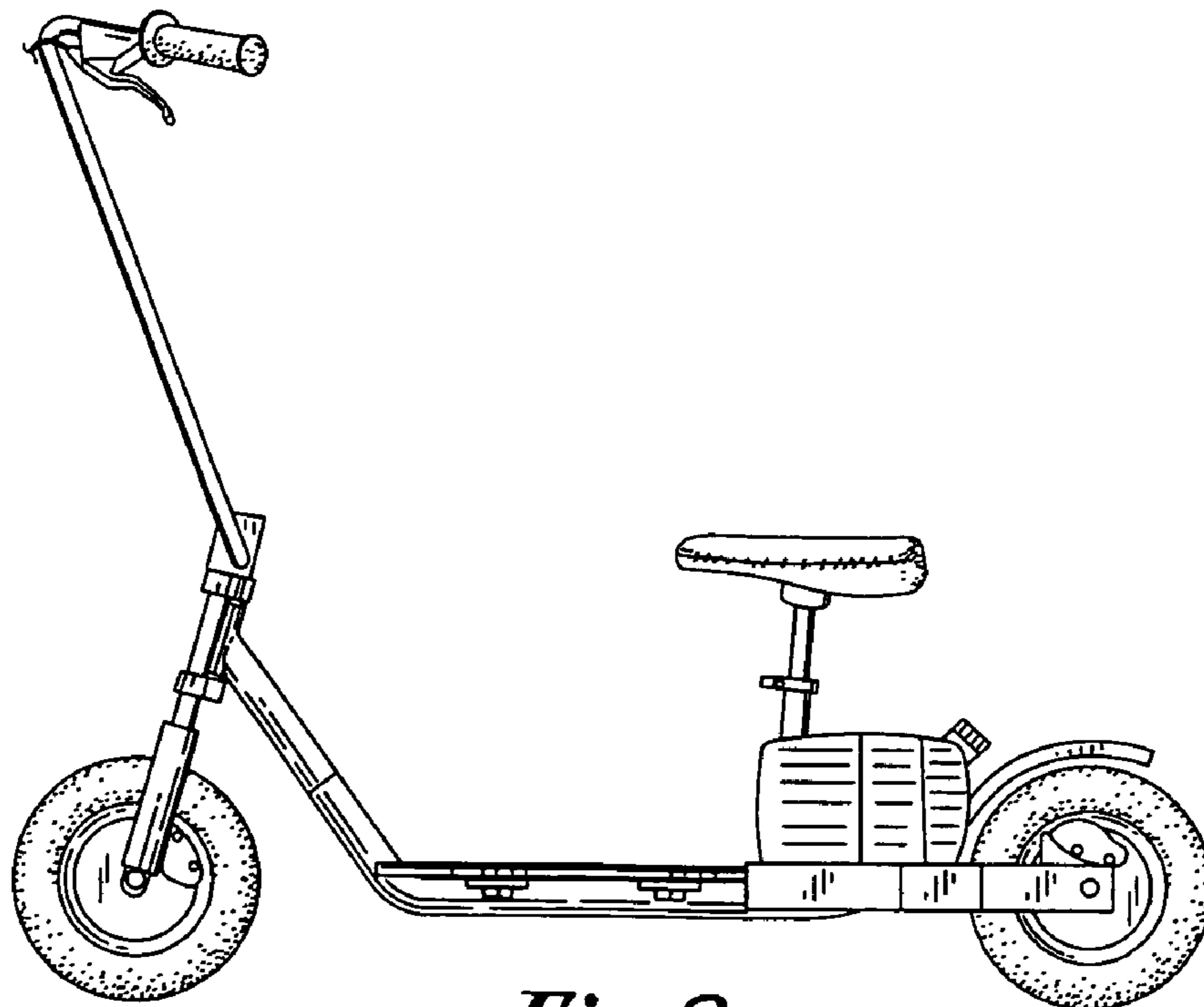
FIG. 7 is a rear view thereof;

**1 Claim, 3 Drawing Sheets**

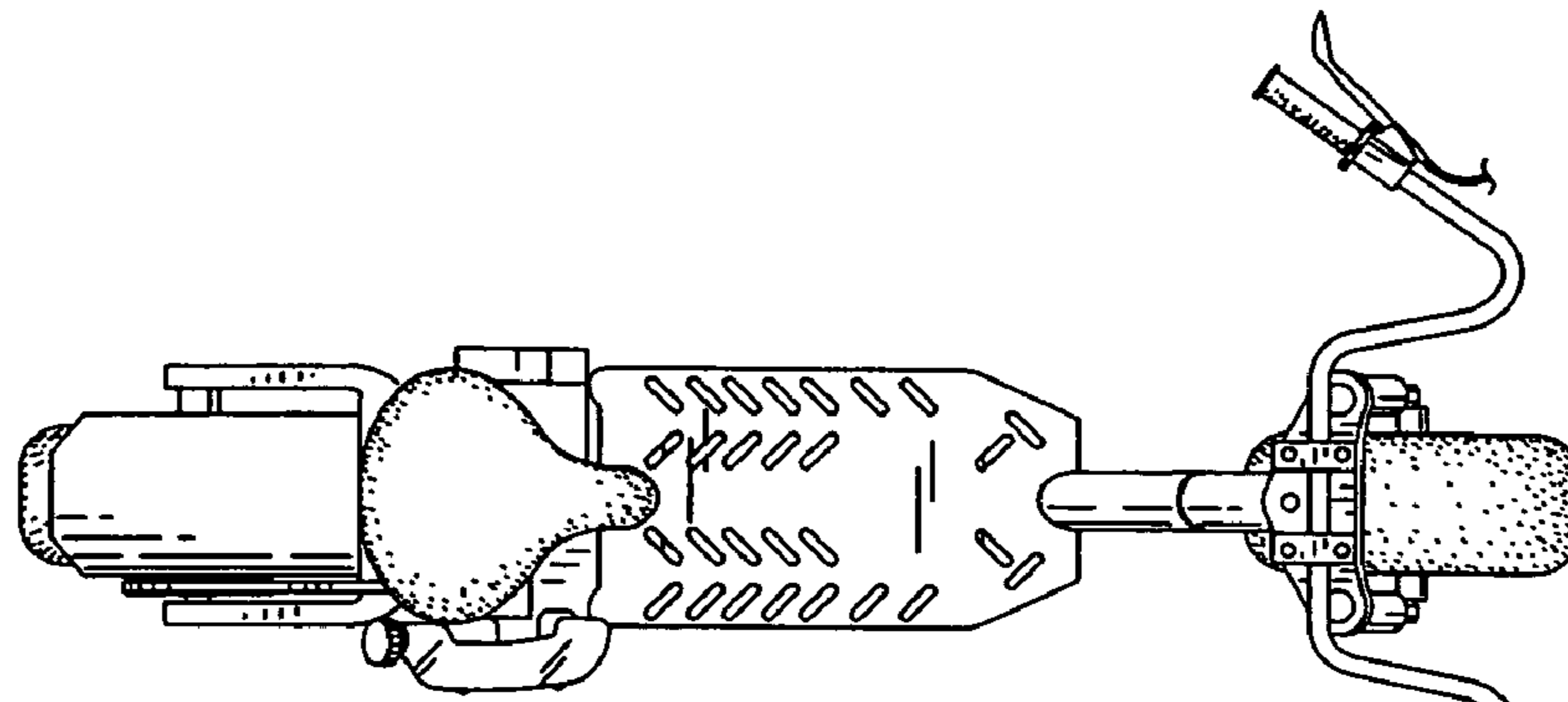




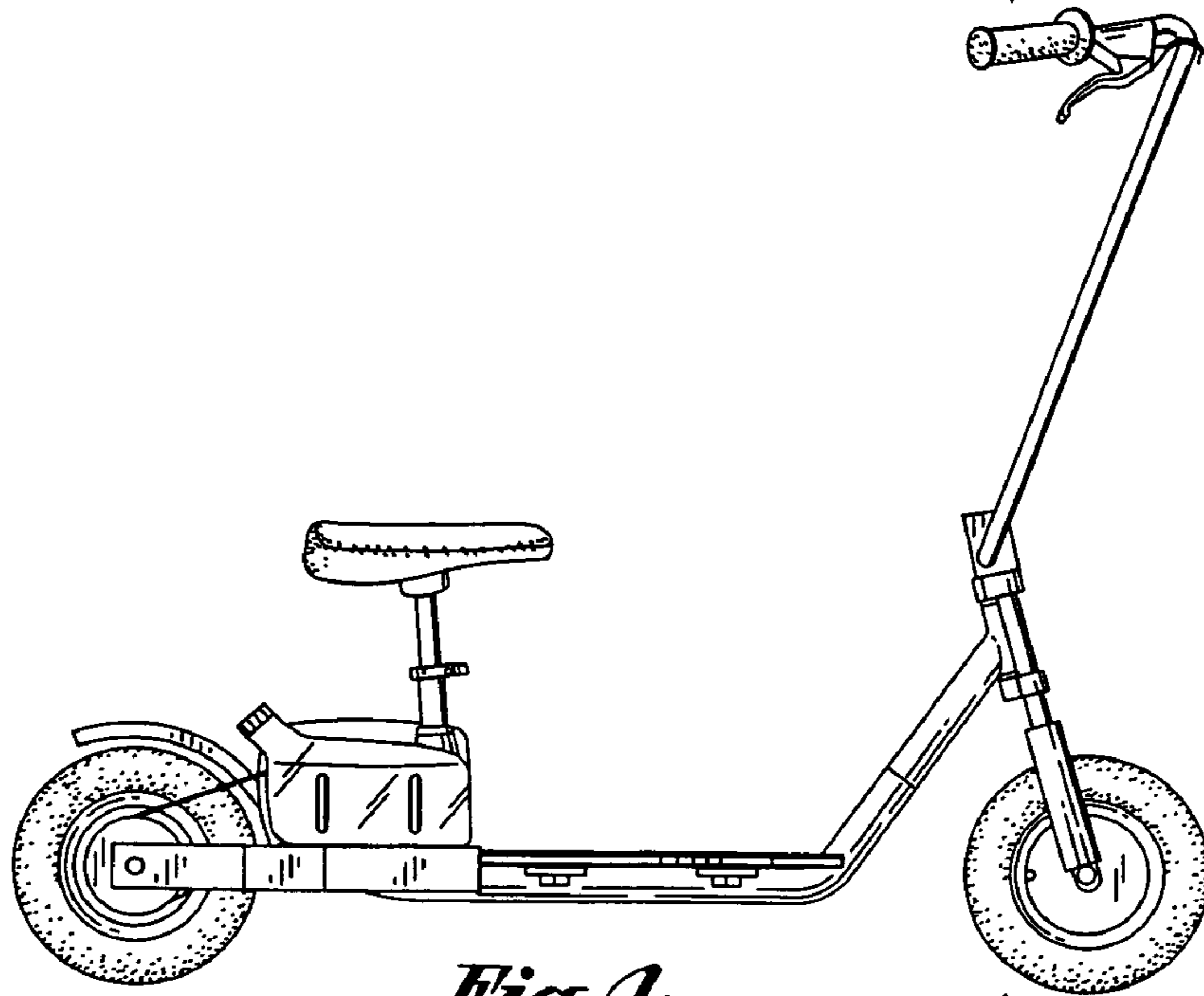
*Fig. 1*



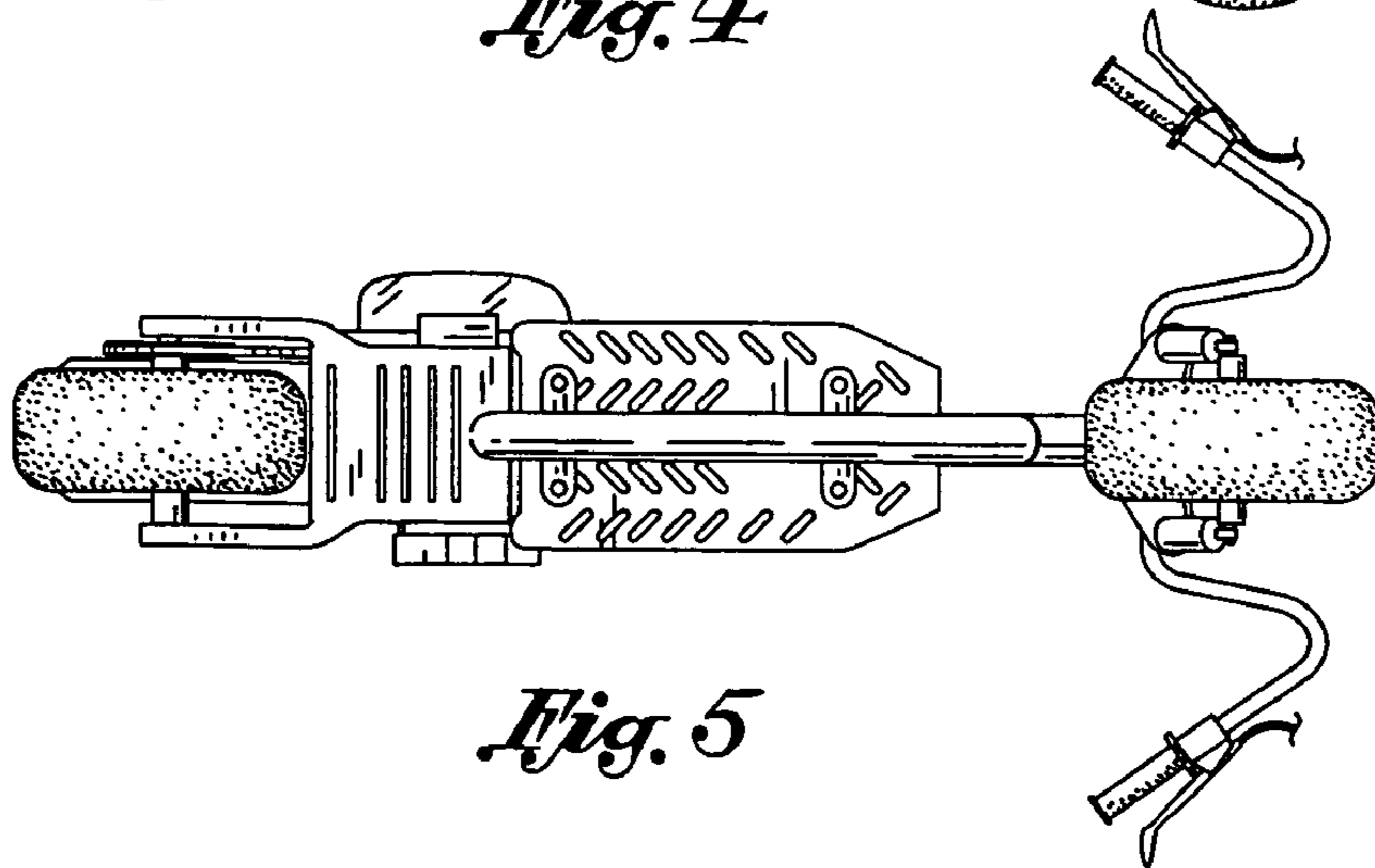
*Fig. 2*



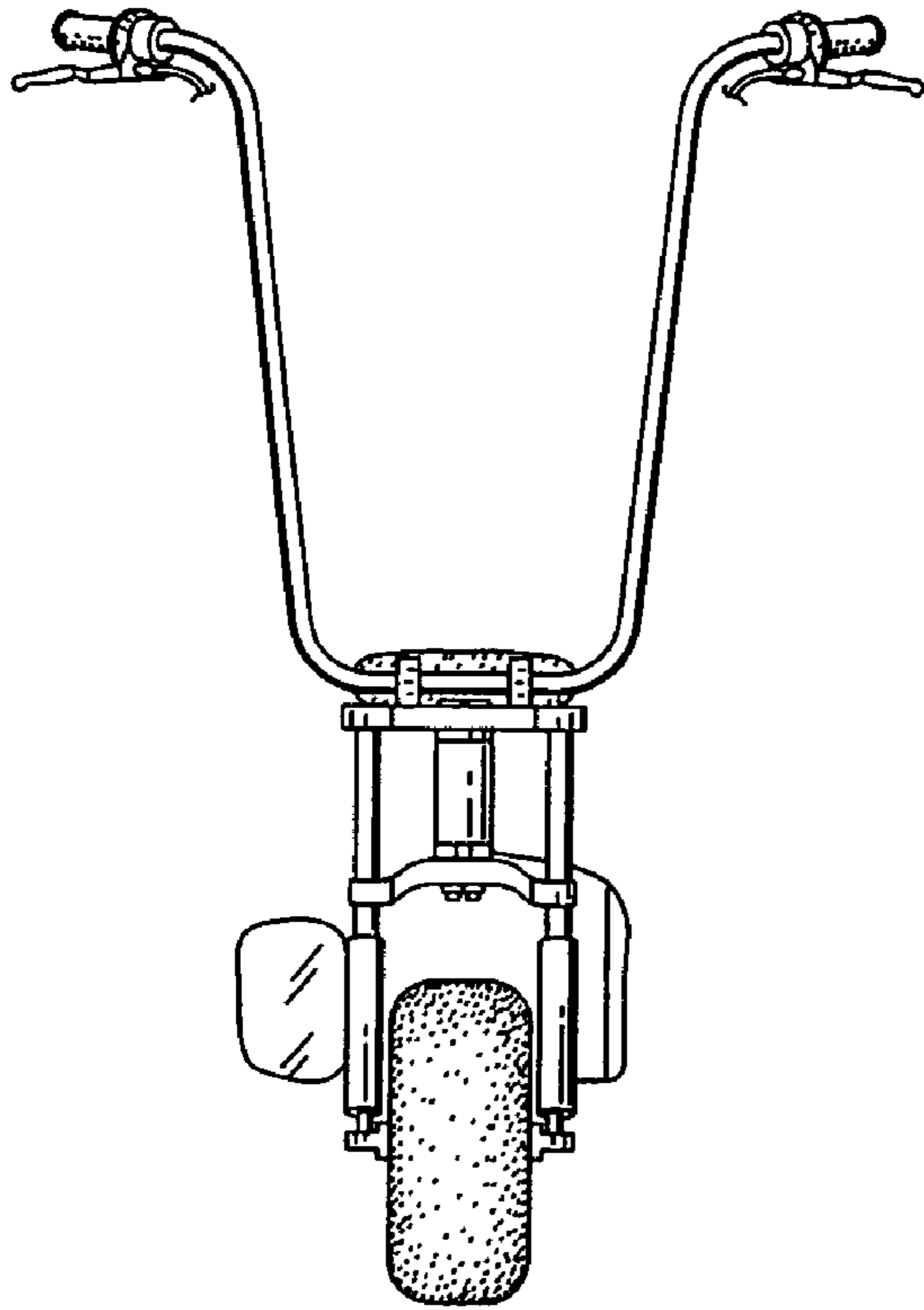
*Fig. 3*



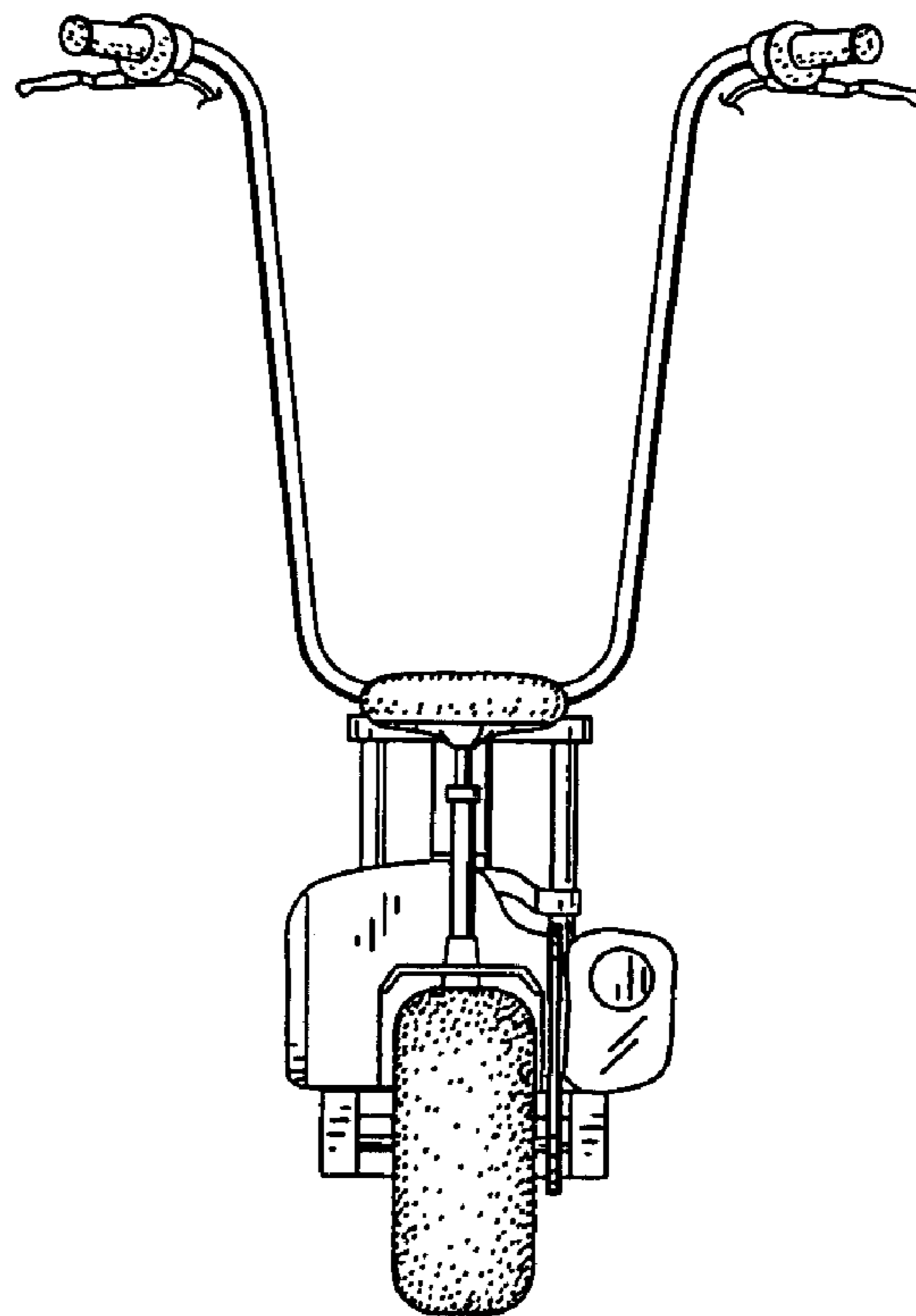
*Fig. 4*



*Fig. 5*



*Fig. 6*



*Fig. 7*