



US00D563483S

(12) **United States Design Patent**
Klamer

(10) **Patent No.:** **US D563,483 S**

(45) **Date of Patent:** **** Mar. 4, 2008**

(54) **GAME**

(75) Inventor: **Reuben B. Klamer**, San Diego, CA
(US)

(73) Assignee: **The Reuben B. Klamer Living Trust**,
San Diego, CA (US)

(**) Term: **14 Years**

(21) Appl. No.: **29/277,837**

(22) Filed: **Mar. 12, 2007**

Related U.S. Application Data

(63) Continuation-in-part of application No. 29/234,770,
filed on Jul. 21, 2005, now Pat. No. Des. 541,879.

(51) **LOC (8) Cl.** **21-01**

(52) **U.S. Cl.** **D21/385; D21/371**

(58) **Field of Classification Search** D21/334–369,
D21/371, 374, 385–386, 392–396; 273/236–288,
273/139, 142 R, 142 H, 146, 292

See application file for complete search history.

(56) **References Cited**

U.S. PATENT DOCUMENTS

- 4,291,881 A * 9/1981 Klamer 273/142 H
- 4,469,329 A * 9/1984 Guyer 273/146
- 4,941,665 A * 7/1990 Klamer 273/142 H
- 6,352,258 B1 * 3/2002 Fitzgerald et al. 273/138.1

- 6,719,290 B1 * 4/2004 Kershner 273/272
- 2005/0023749 A1 * 2/2005 Annis et al. 273/138.1

* cited by examiner

Primary Examiner—Sandra L. Morris

(74) *Attorney, Agent, or Firm*—Snell & Wilmer LLP

(57) **CLAIM**

The ornamental design for the game, as shown and described.

DESCRIPTION

FIG. 1 is a perspective view of a game showing an embodiment of the new design;

FIG. 2 is a front side view of the game of FIG. 1;

FIG. 3 is a back view of the game of FIG. 1;

FIG. 4 is a right side view of the game of FIG. 1;

FIG. 5 is a left side view of the game of FIG. 1;

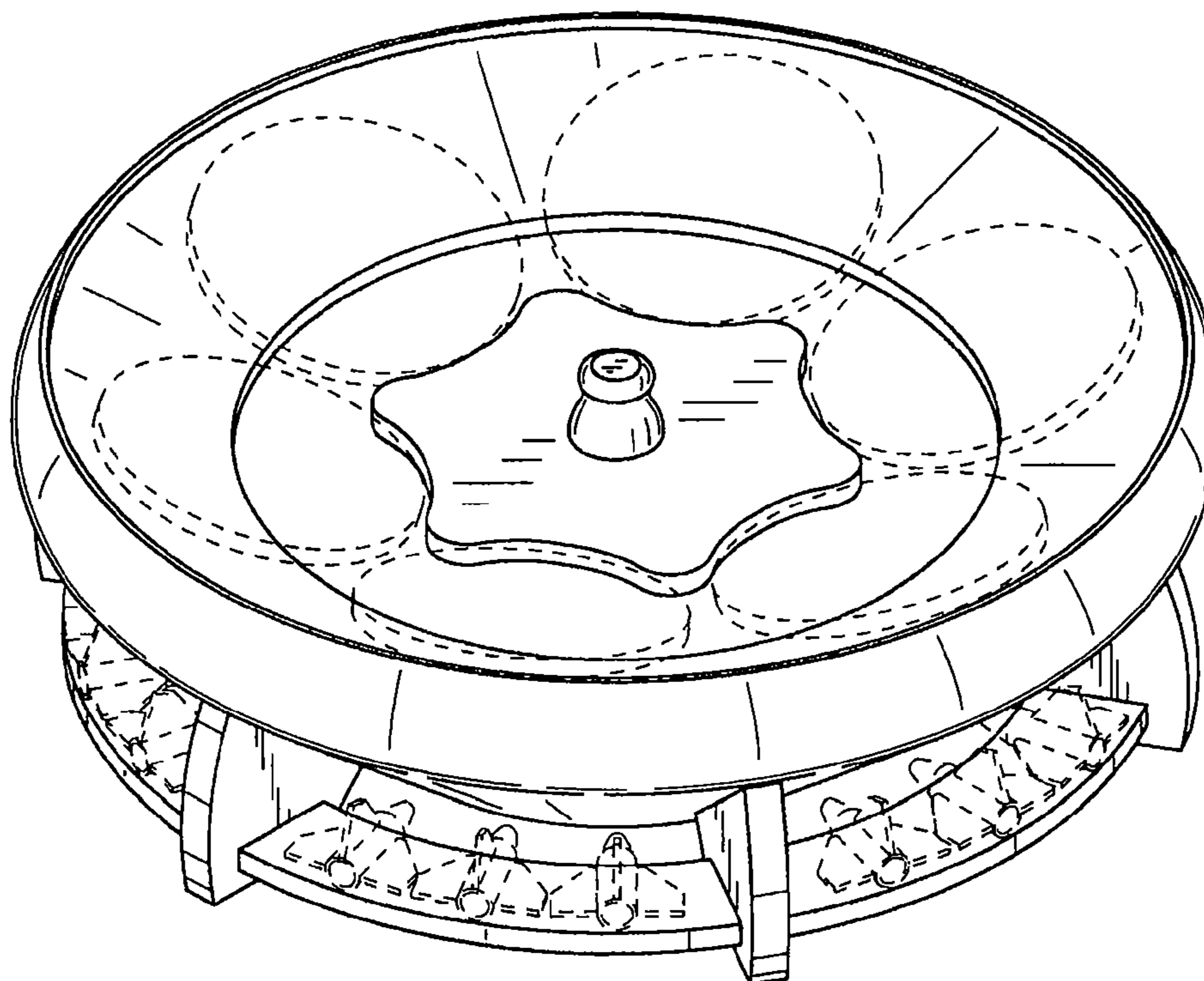
FIG. 6 is a top view of the game of FIG. 1; and

FIG. 7 is a bottom view of the game of FIG. 1; and,

FIG. 8 is a perspective view thereof, showing the game in an alternative intended use.

Dotted lines shown in the accompanying drawings are intended to illustrate environmental features and are not intended to be a part of the claimed drawing in the figures in which they appear.

1 Claim, 6 Drawing Sheets



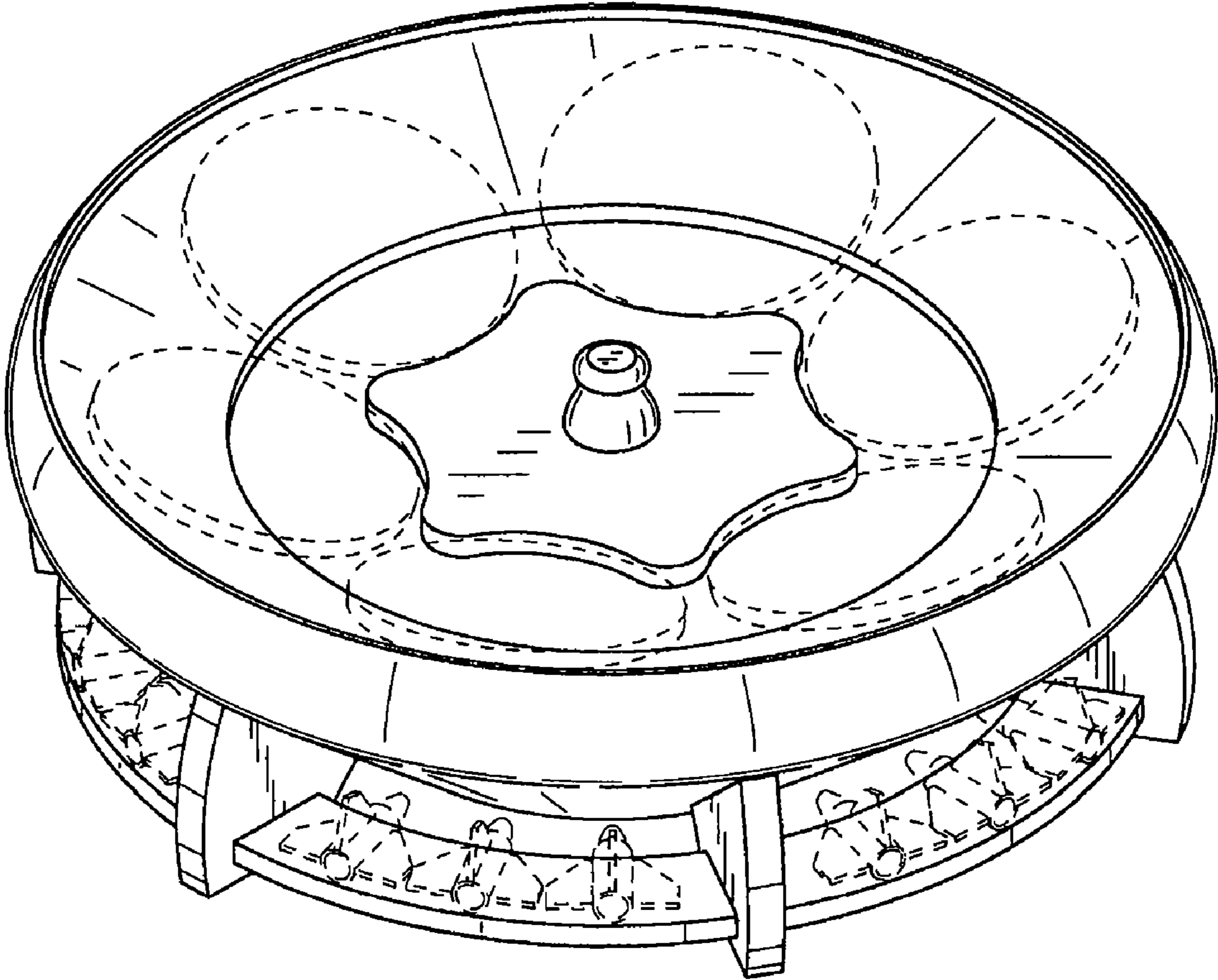


FIG.1

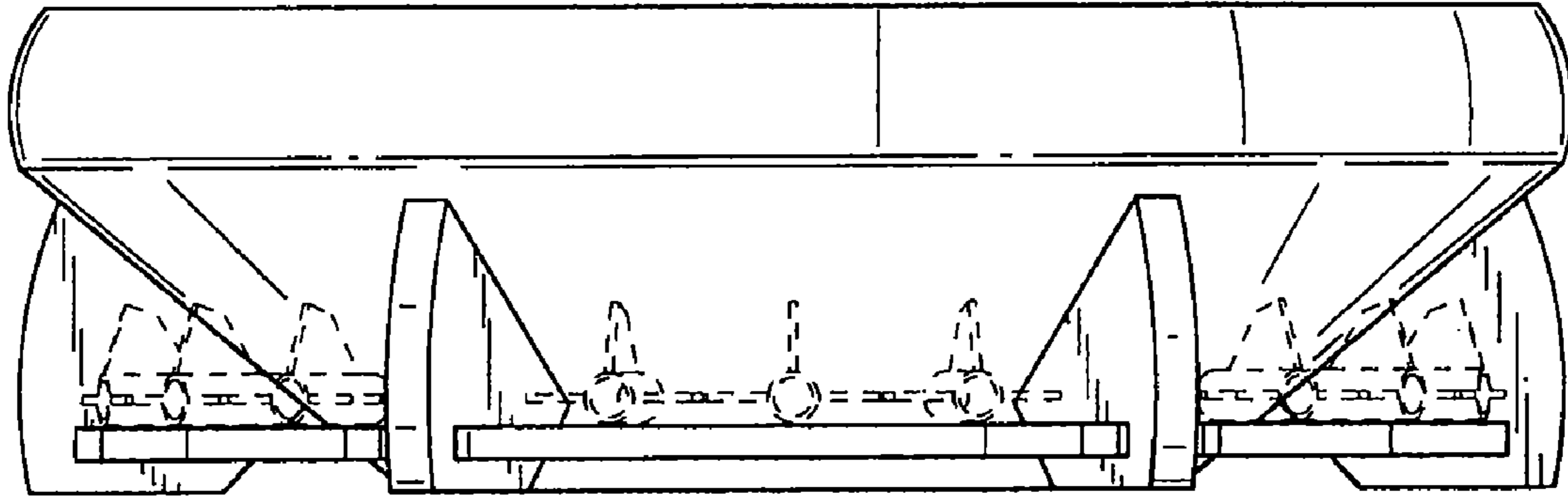


FIG. 2

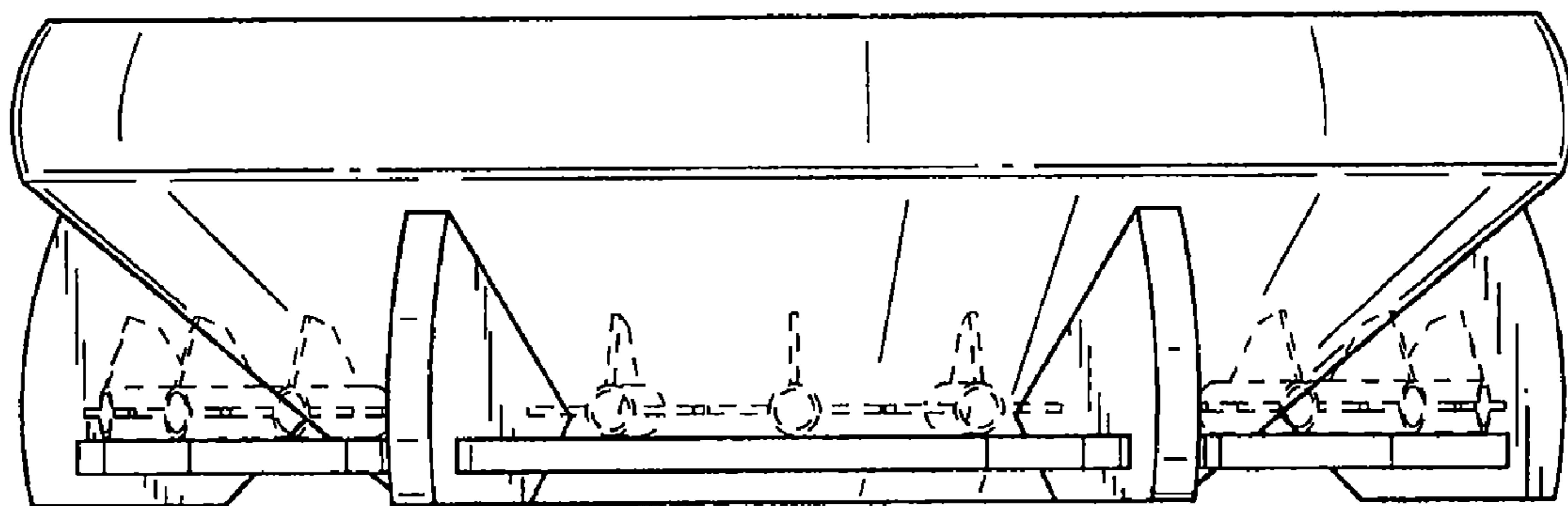


FIG. 3

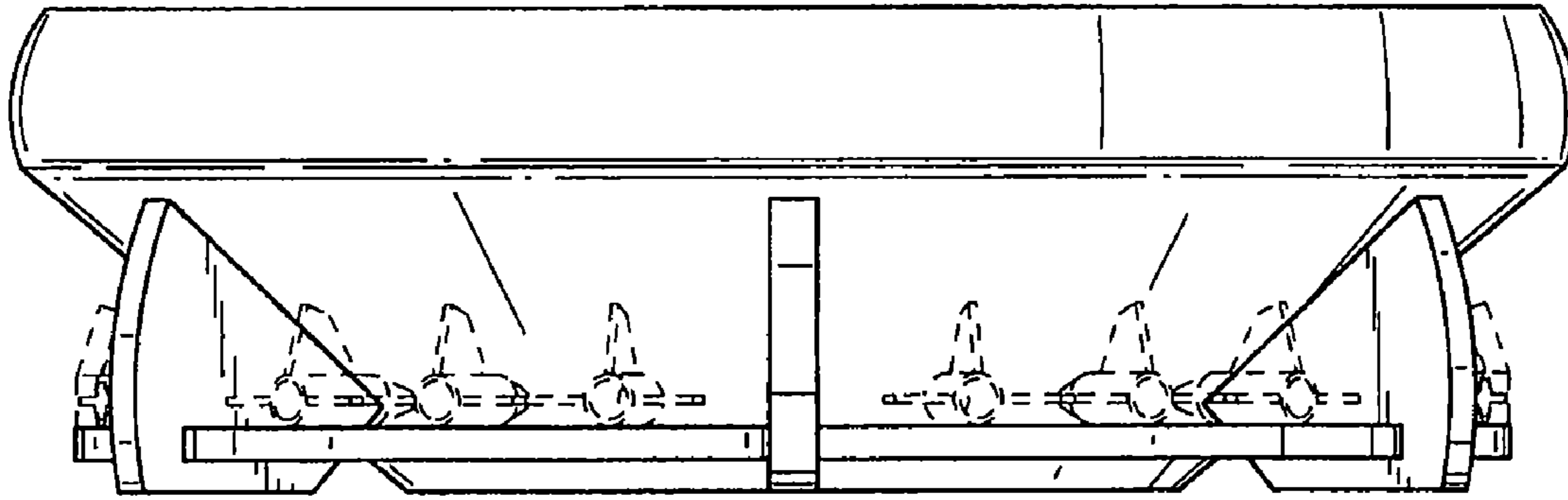


FIG. 4

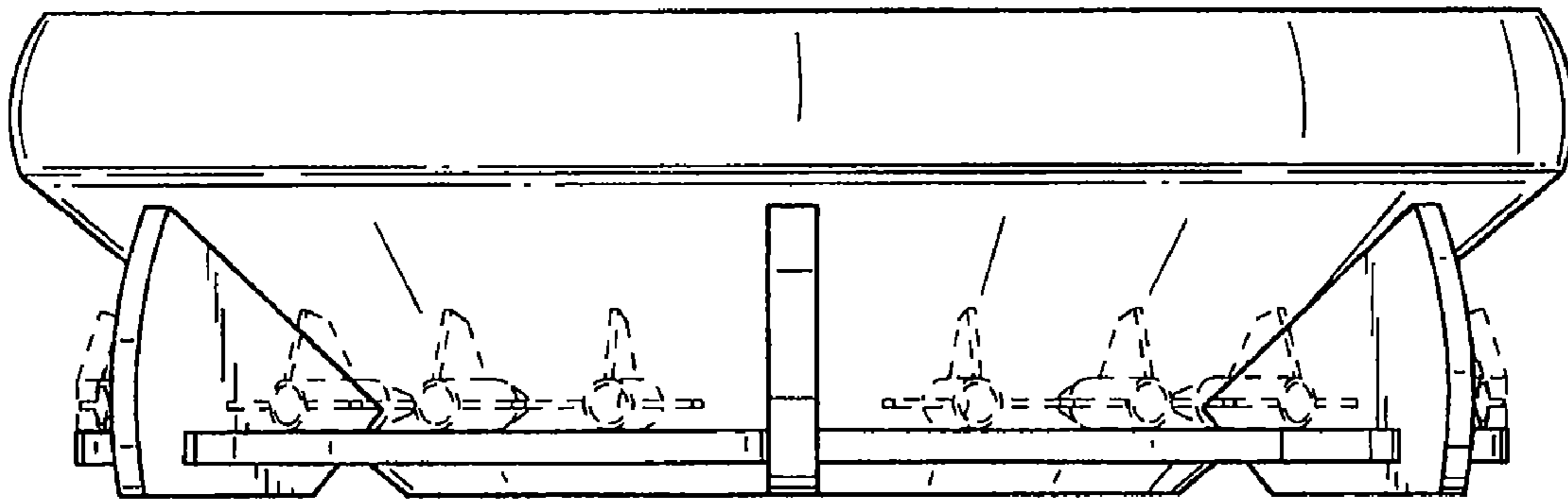


FIG. 5

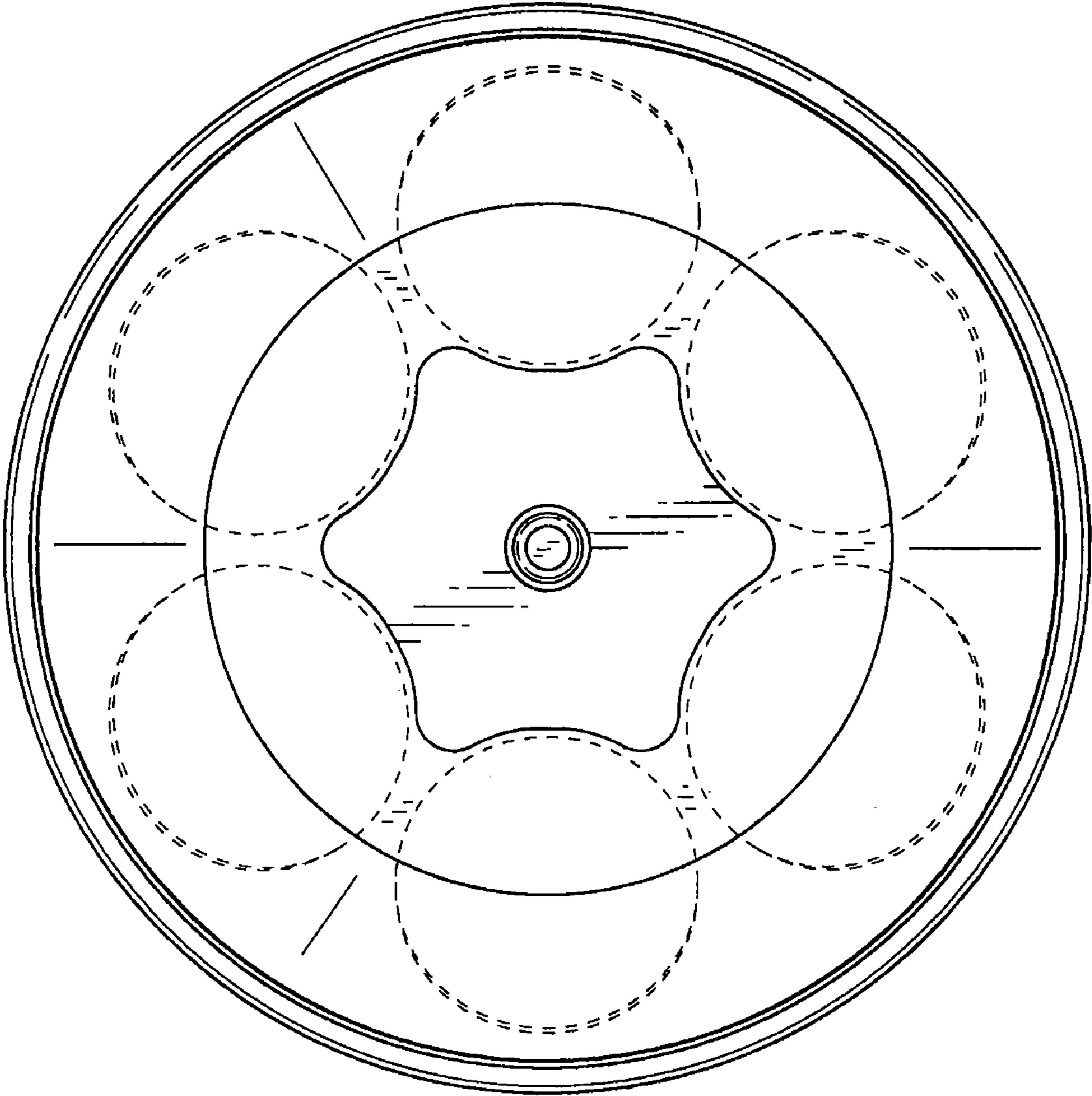


FIG.6

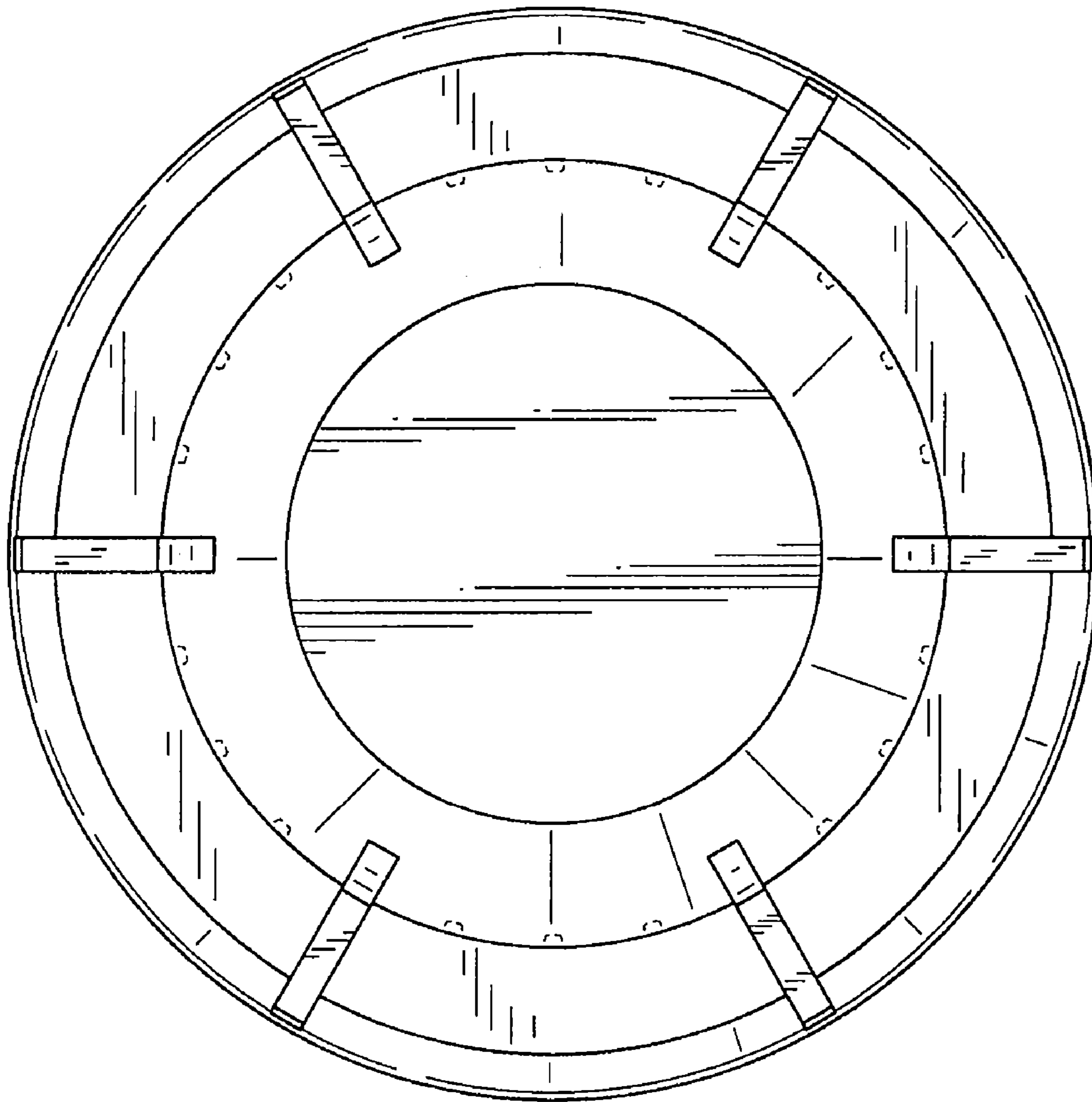


FIG.7

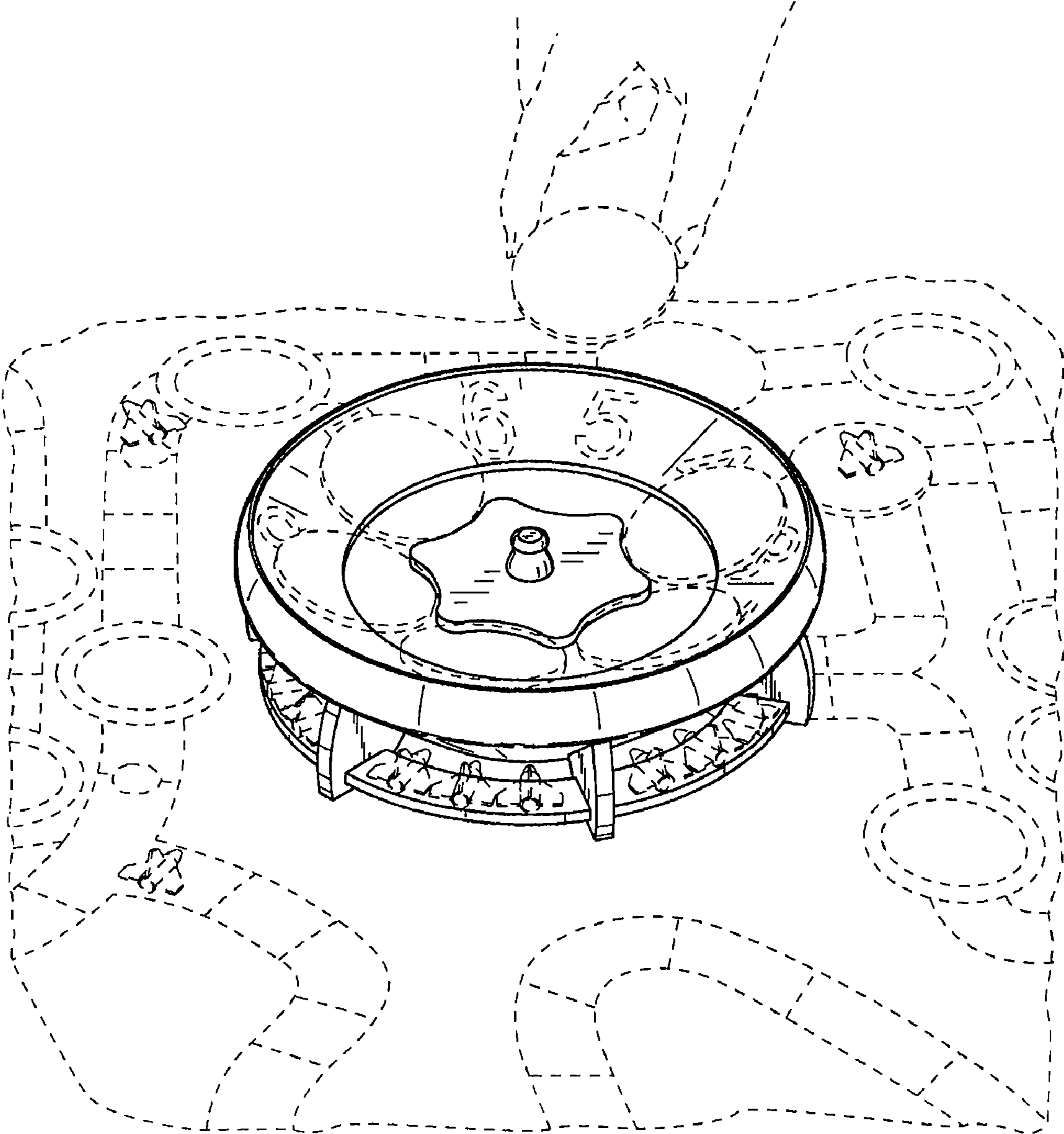


FIG.8