



US00D563482S

(12) **United States Design Patent**
DuBois et al.

(10) **Patent No.:** **US D563,482 S**
(45) **Date of Patent:** **** Mar. 4, 2008**

(54) **GAME STORAGE UNIT**

D432,076 S * 10/2000 Stickles et al. D12/419
D432,589 S * 10/2000 Hill D21/396
6,702,375 B1 * 3/2004 Laskowski et al. 273/236

(76) Inventors: **Joseph A. DuBois**, 12045 Riverside
Dr., Lakeside, CA (US) 92040; **William
Stegner**, 10060 Scripps Vista Way, Unit
23, San Diego, CA (US) 92131

* cited by examiner

Primary Examiner—Sandra L. Morris

(74) *Attorney, Agent, or Firm*—Dale J. Ream

(**) Term: **14 Years**

(21) Appl. No.: **29/276,048**

(57) **CLAIM**

(22) Filed: **Jan. 12, 2007**

The ornamental design for a game storage unit, as shown
and described.

(51) **LOC (8) Cl.** **21-01**

(52) **U.S. Cl.** **D21/385; D21/333**

(58) **Field of Classification Search** D21/385,
D21/392–396; 273/236–288, 148 R, 150,
273/148 A; D19/90–92; D12/419, 424;
297/188.19

See application file for complete search history.

DESCRIPTION

FIG. 1 is a perspective view of a game storage unit showing
our new design;

FIG. 2 is a front view thereof;

FIG. 3 is a back view thereof;

FIG. 4 is a left side view thereof;

FIG. 5 is a right side view thereof;

FIG. 6 is a top view thereof; and,

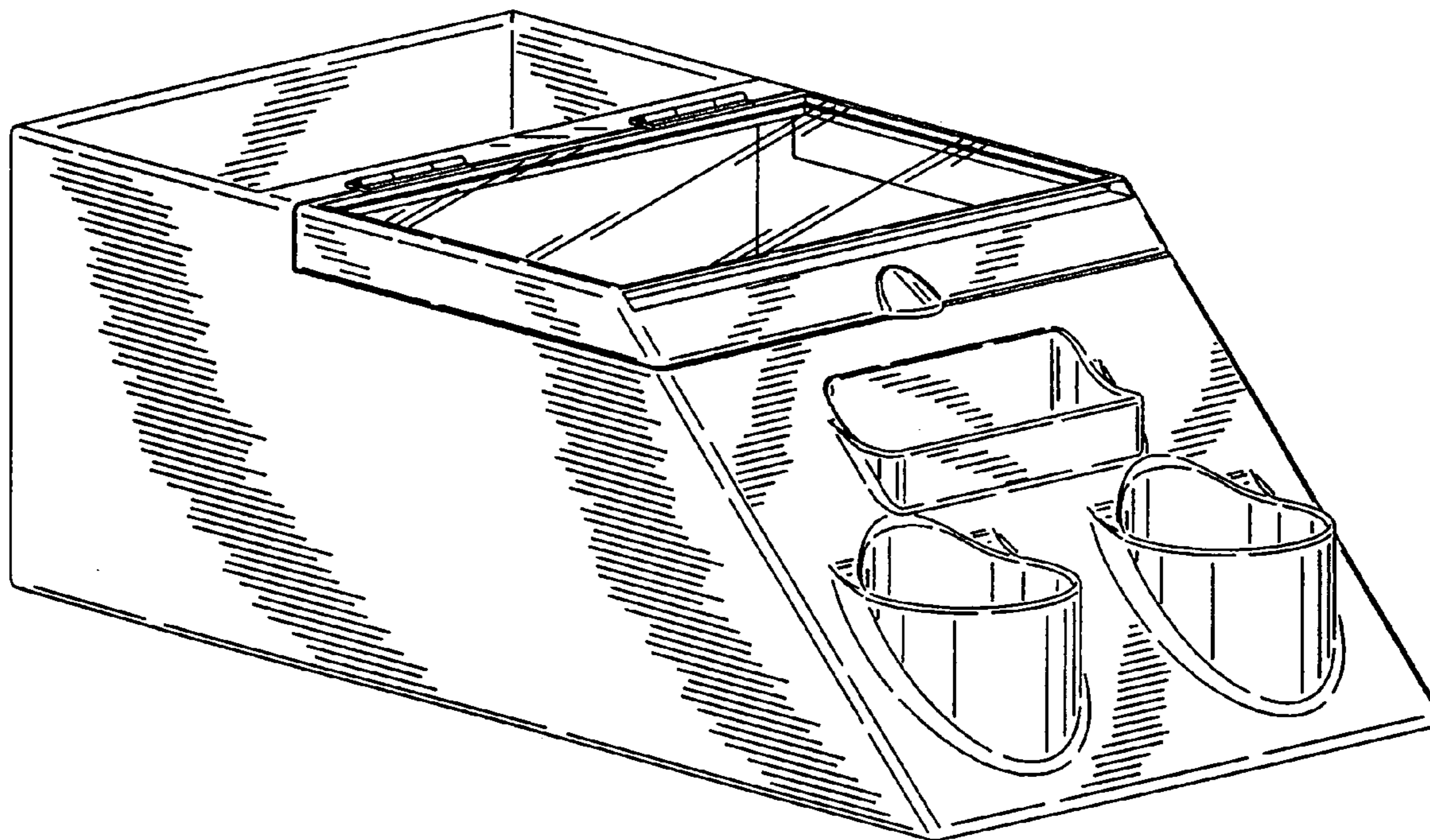
FIG. 7 is a bottom view thereof.

(56) **References Cited**

U.S. PATENT DOCUMENTS

D272,923 S * 3/1984 Quinn et al. D21/393
D274,069 S * 5/1984 Fromm D21/392
4,711,371 A * 12/1987 Harrigan 273/148 A
D302,355 S * 7/1989 Bell et al. D12/424

1 Claim, 6 Drawing Sheets



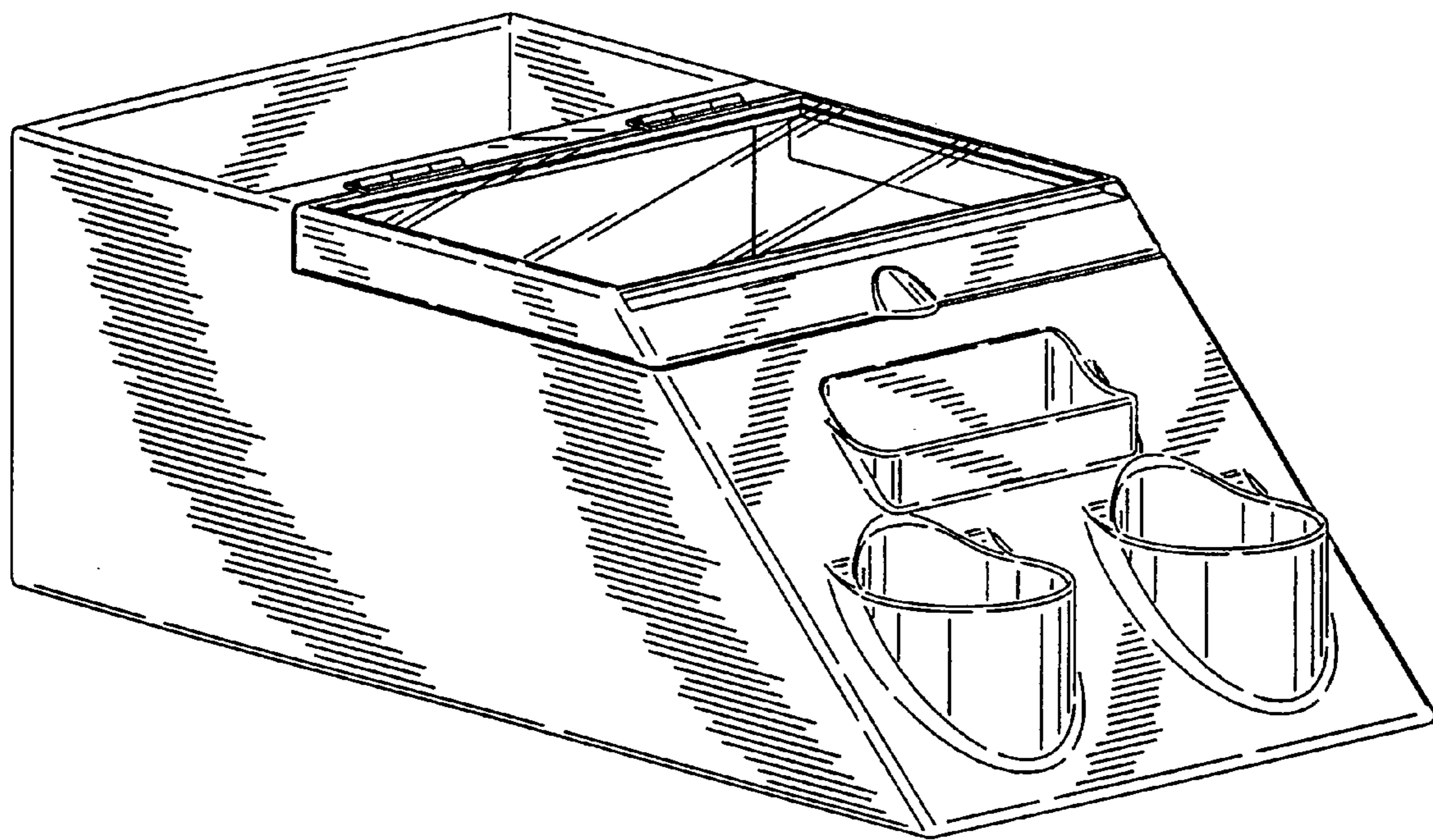


FIG. 1

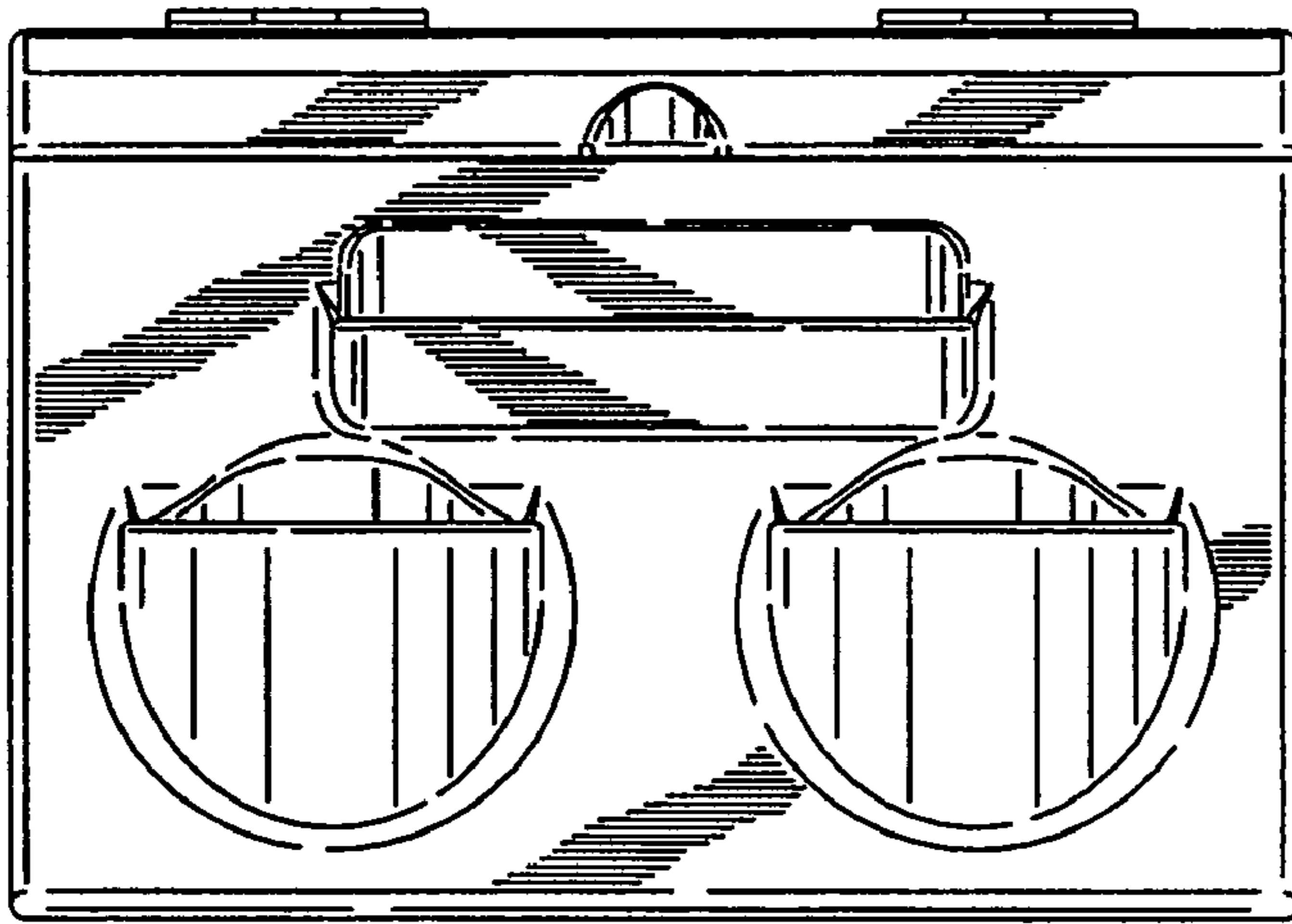


FIG. 2

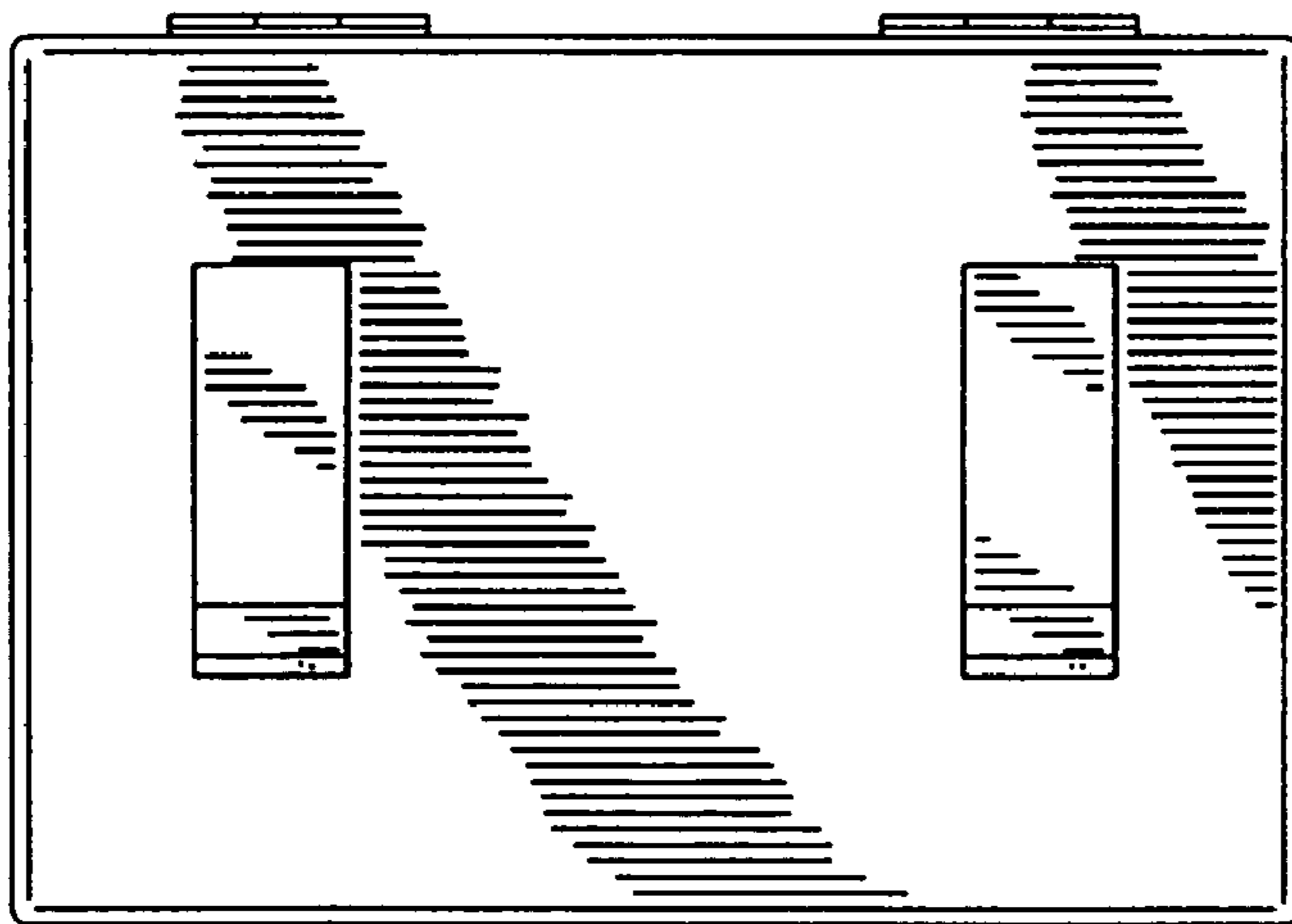


FIG. 3

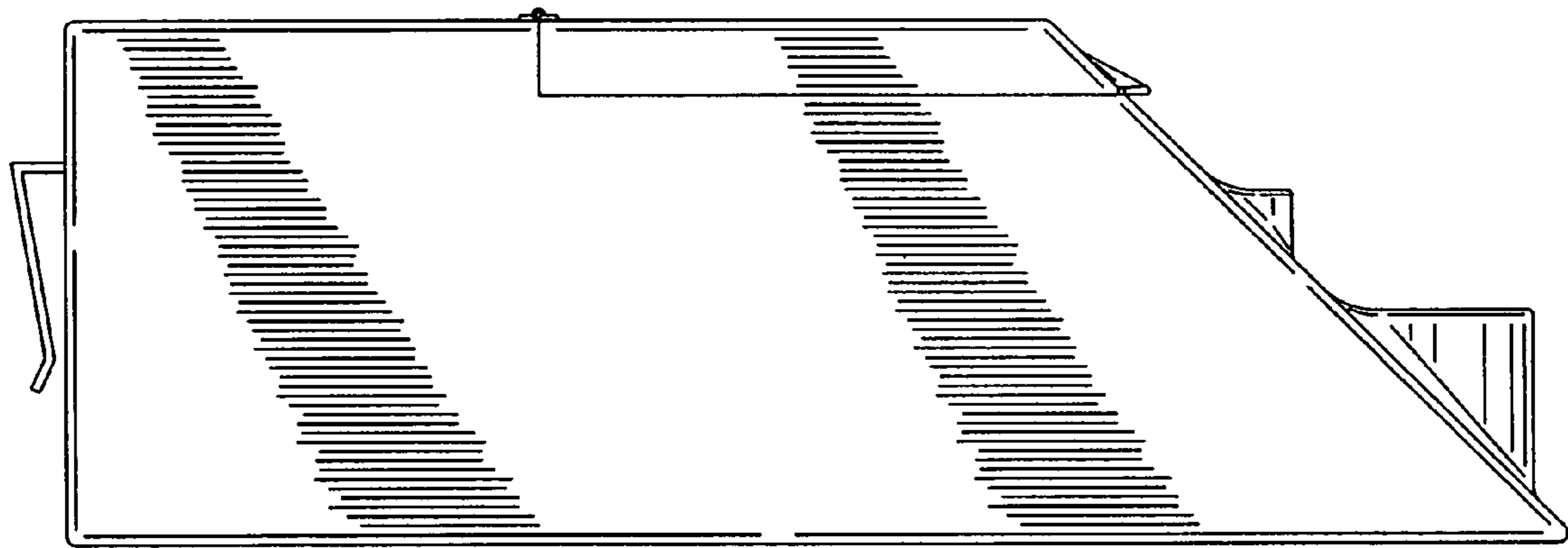


FIG. 4

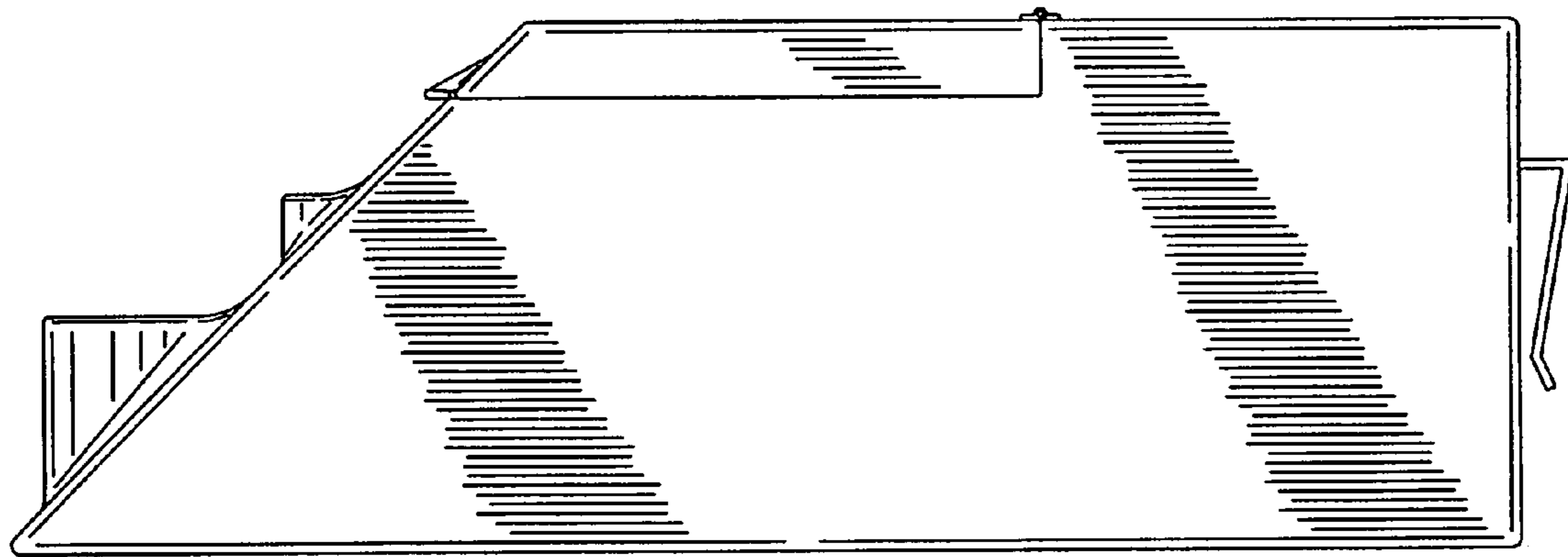


FIG. 5

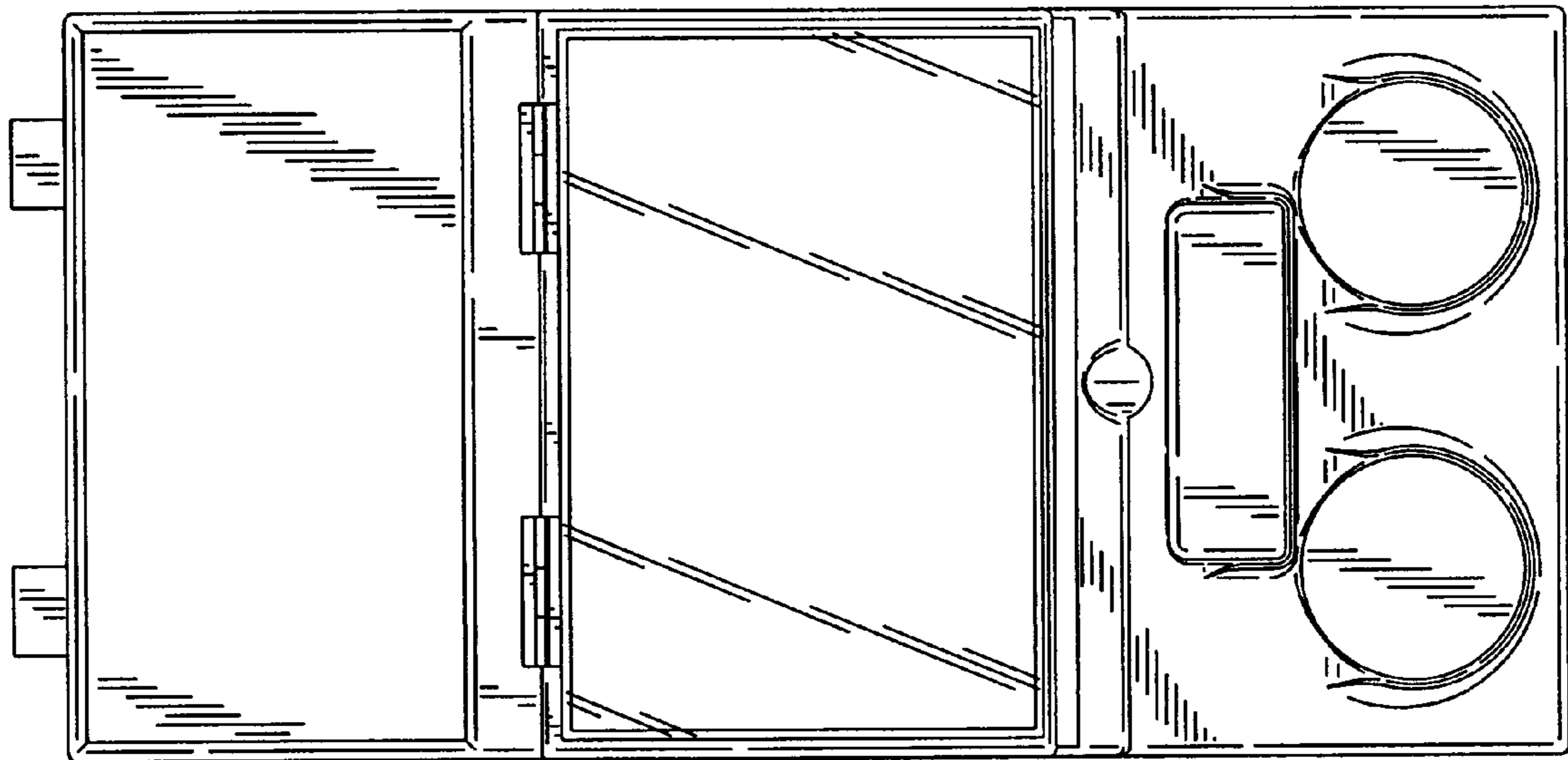


FIG. 6

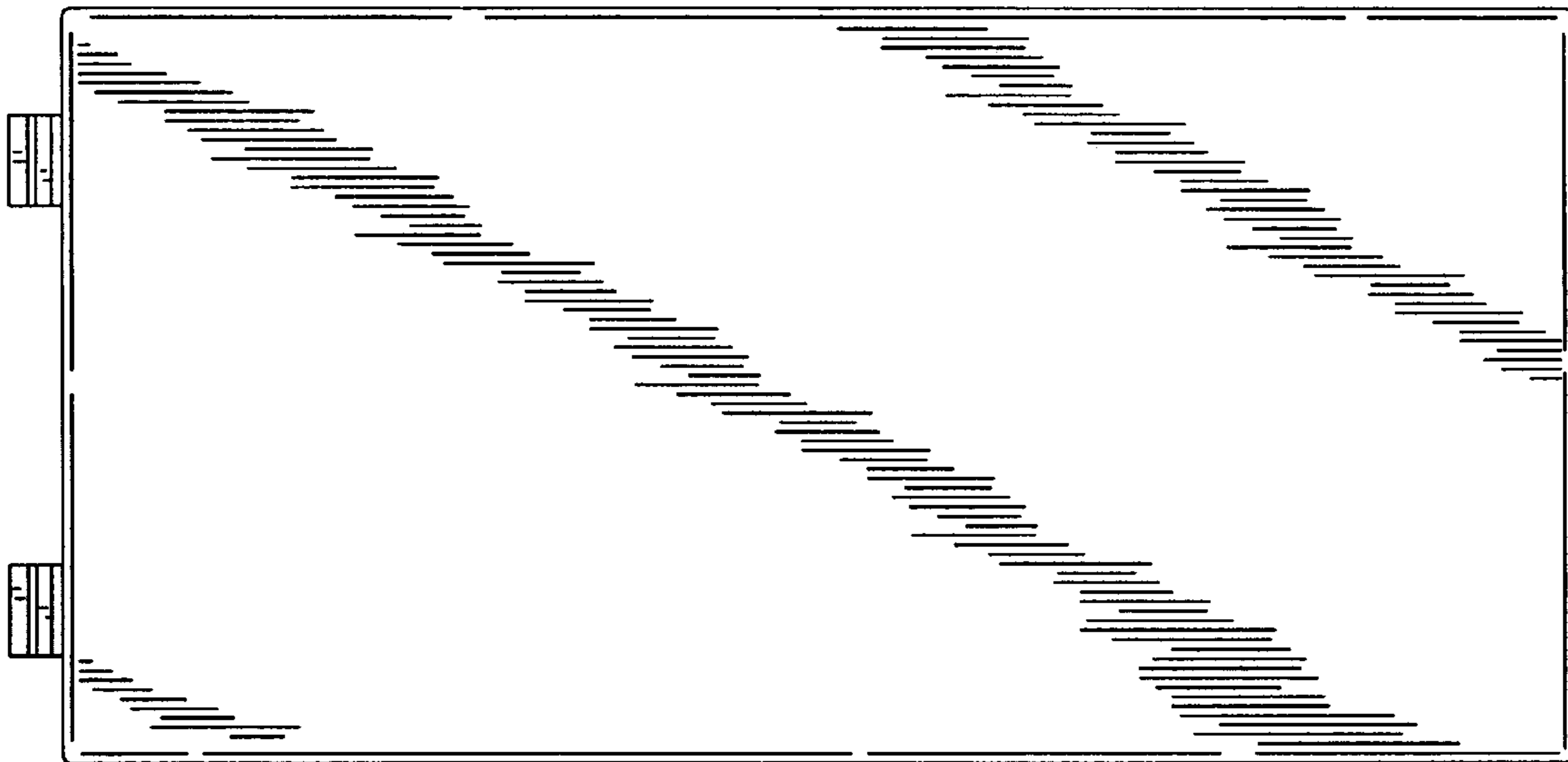


FIG. 7