

US00D563477S

(12) **United States Design Patent**  
**Adams**

(10) **Patent No.:** **US D563,477 S**  
(45) **Date of Patent:** **\*\* Mar. 4, 2008**

(54) **SIGN SUPPORT**

(76) Inventor: **Tim Adams**, 360 High St., Maryville,  
TN (US) 37804

(\*\*) Term: **14 Years**

(21) Appl. No.: **29/214,192**

(22) Filed: **Sep. 28, 2004**

(51) **LOC (8) Cl.** ..... **20-03**

(52) **U.S. Cl.** ..... **D20/29**

(58) **Field of Classification Search** ..... D20/10,  
D20/13, 29, 30, 35, 39, 41, 43, 99; D1/106;  
40/545, 606.01, 606.18, 624; 248/512, 530;  
362/263, 812

See application file for complete search history.

(56) **References Cited**

**U.S. PATENT DOCUMENTS**

D158,746 S	*	5/1950	Hickman	.....	D20/29
D263,972 S	*	4/1982	Pasker	.....	D20/10
D264,064 S	*	4/1982	Ornatek	.....	D11/166
4,969,282 A	*	11/1990	Eberhart	.....	40/545
D348,906 S	*	7/1994	Hubble	.....	D20/41
D361,794 S	*	8/1995	Oakley	.....	D20/41
D367,078 S	*	2/1996	Oakley	.....	D20/41
D367,151 S	*	2/1996	Bonucci	.....	D1/106

D374,542 S	*	10/1996	Chin-Hsieh et al.	.....	D1/109
D384,979 S	*	10/1997	Greene, Jr.	.....	D20/41
2004/0128891 A1	*	7/2004	Keach	.....	40/624

\* cited by examiner

*Primary Examiner*—Robert M. Spear

(57) **CLAIM**

The ornamental design for a sign support, as shown and described.

**DESCRIPTION**

FIG. 1 is an upper perspective view of a sign support showing my new design.

FIG. 2 is a front view of a sign support showing my new design.

FIG. 3 is a rear view of a sign support showing my new design.

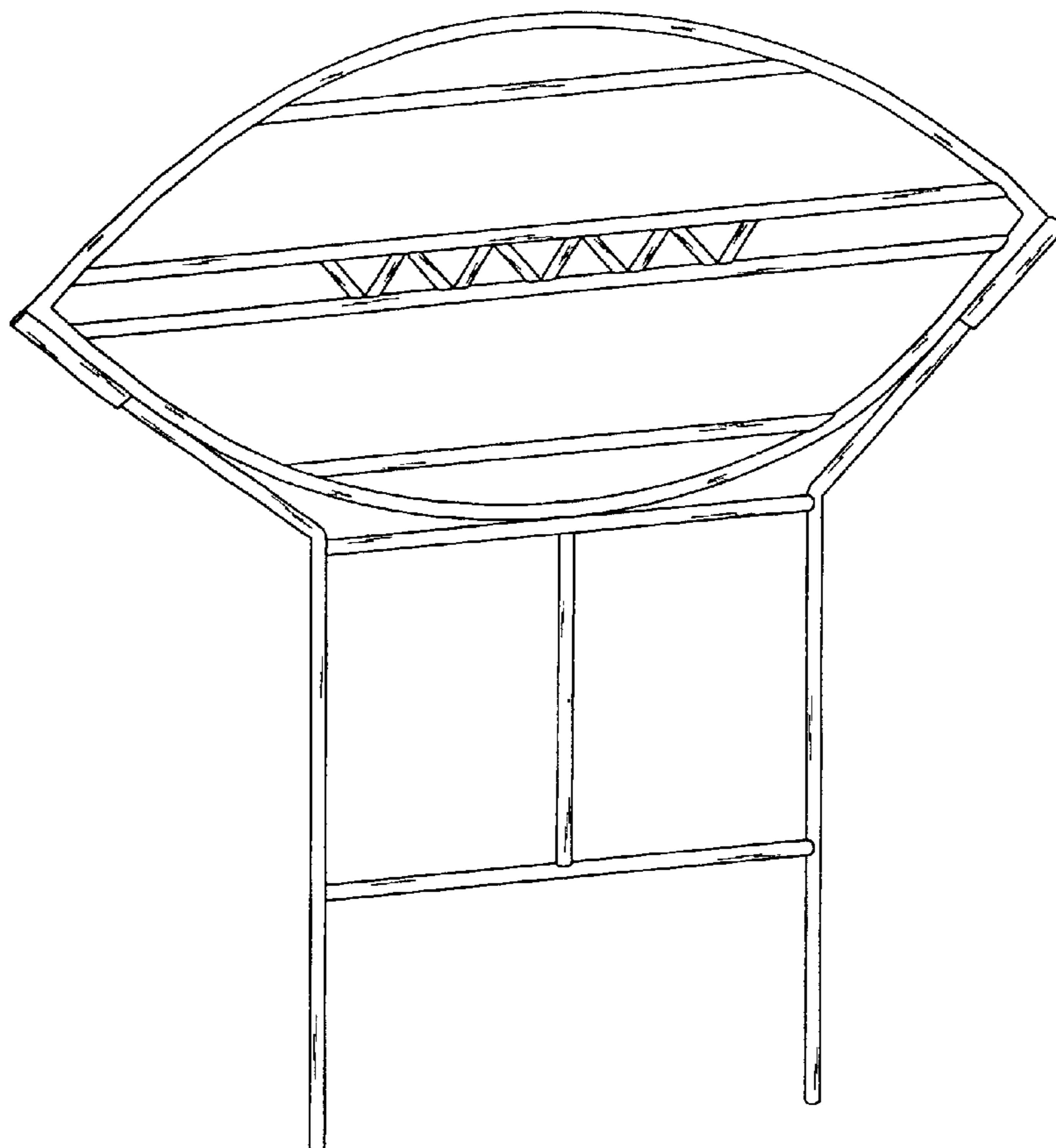
FIG. 4 is a left side view of a sign support showing my new design.

FIG. 5 is a right side view of a sign support showing my new design.

FIG. 6 is a top view of a sign support showing my new design; and,

FIG. 7 is a bottom view of a sign support showing my new design.

**1 Claim, 7 Drawing Sheets**



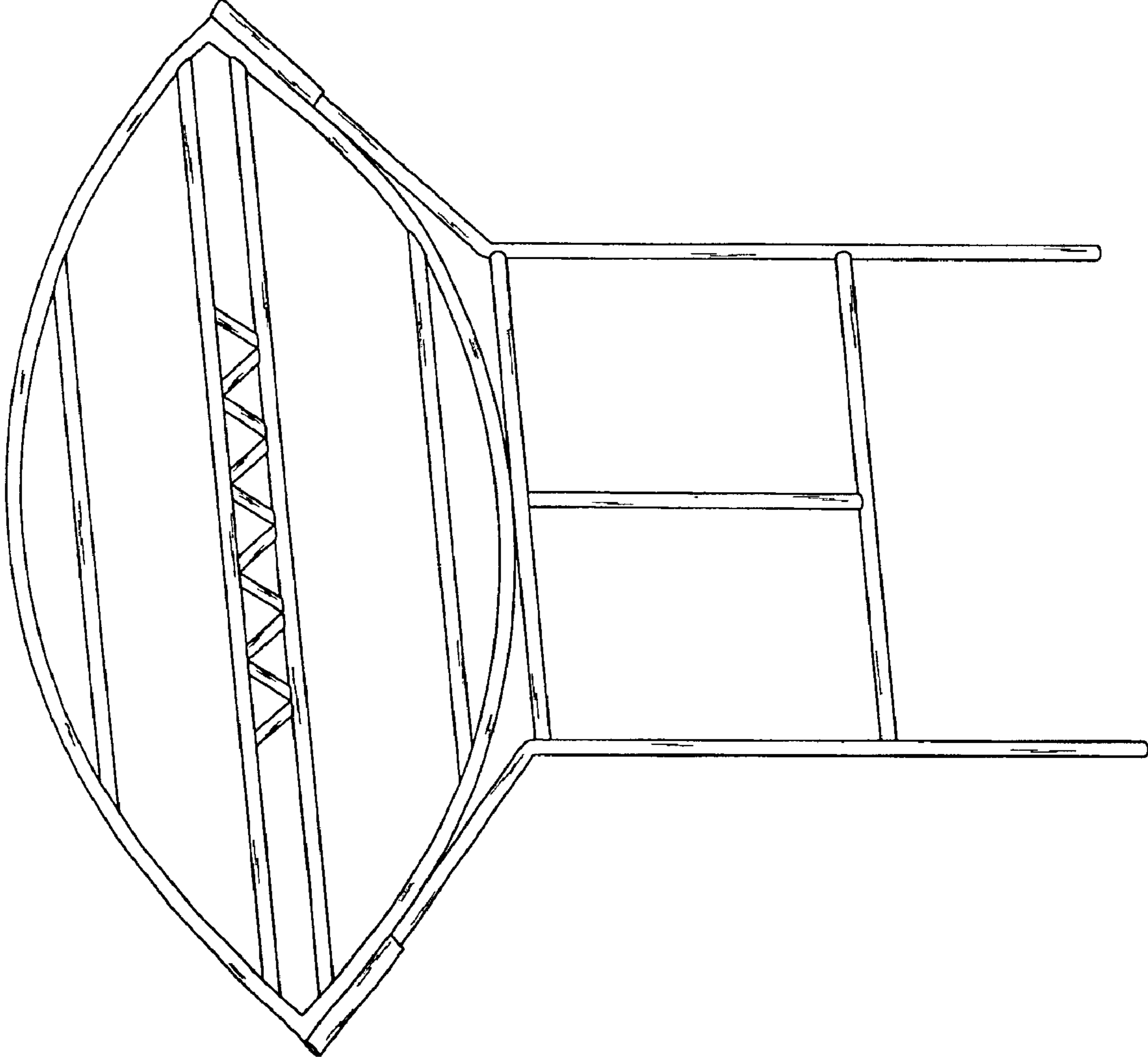


FIG. 1

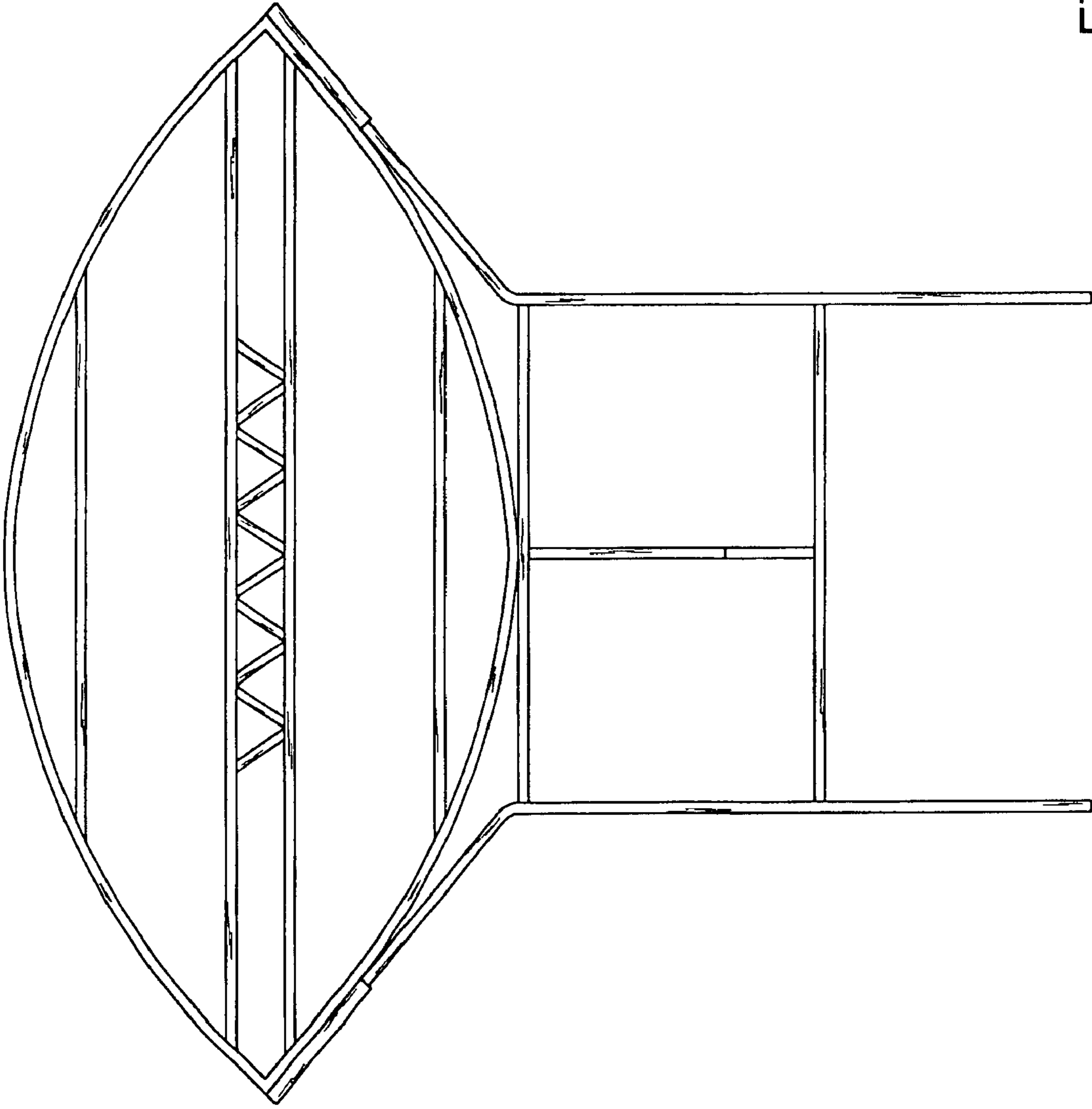


FIG. 2

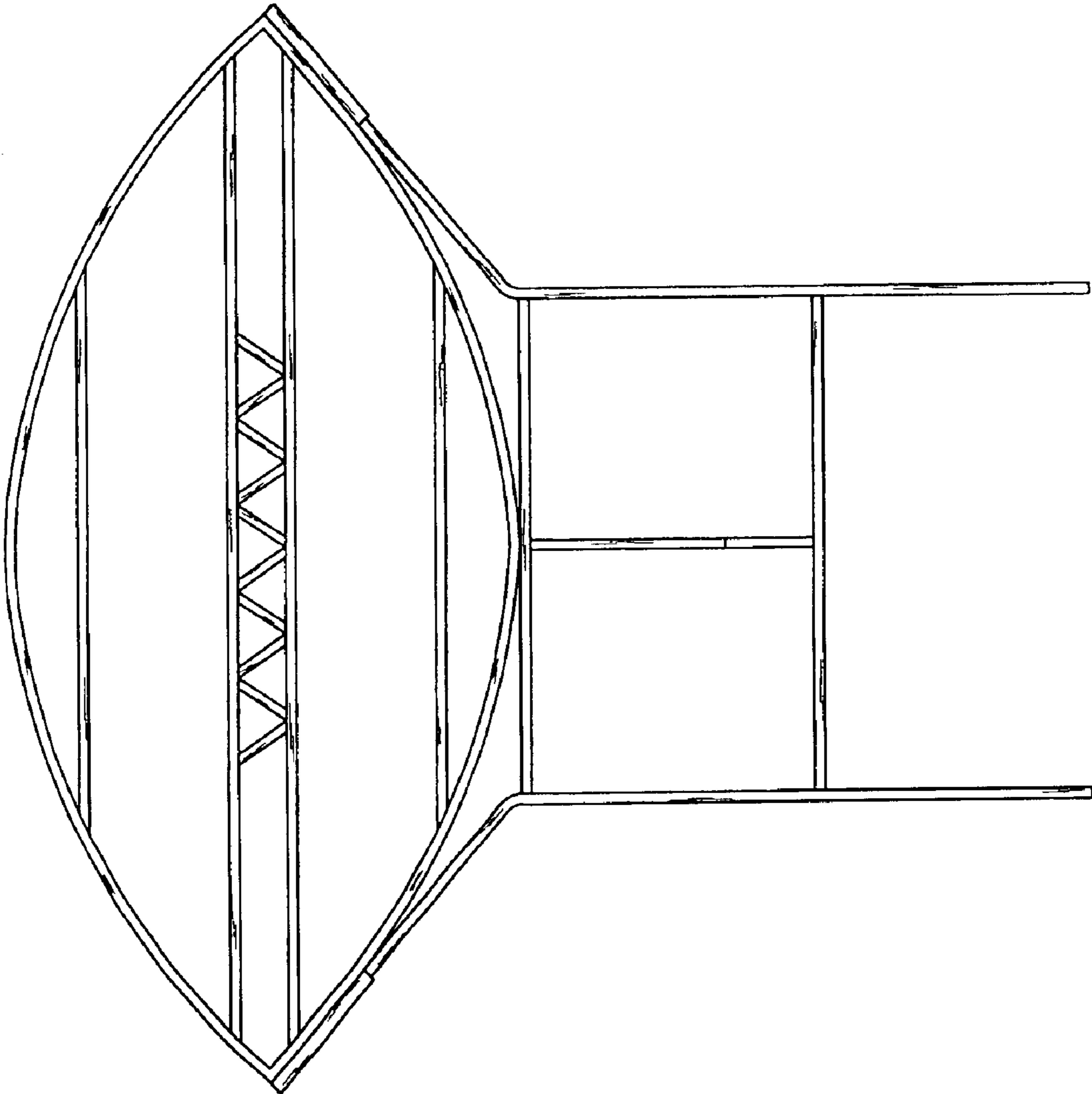


FIG. 3

FIG. 4

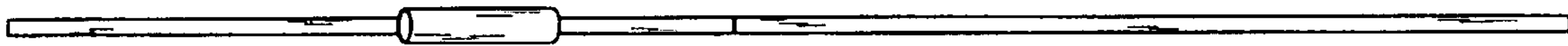


FIG. 5

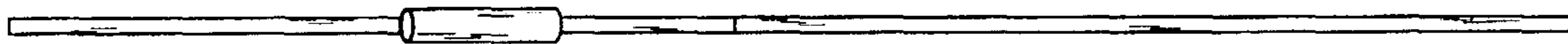




FIG. 6



FIG. 7