



US00D563472S

(12) **United States Design Patent**  
**Cetera**

(10) **Patent No.:** **US D563,472 S**

(45) **Date of Patent:** **\*\* Mar. 4, 2008**

(54) **PEN**  
(75) Inventor: **Carl Cetera**, Tenafly, NJ (US)  
(73) Assignee: **Cotapaxi Custom Design and Manufacturing, LLC**, Carlstadt, NJ (US)

D257,857 S \* 1/1981 Leuenberger et al. .... D19/49  
D313,042 S \* 12/1990 Lecce ..... D19/48  
D322,093 S \* 12/1991 Eylers ..... D19/56  
D325,398 S \* 4/1992 von Edler et al. .... D19/49  
D405,826 S \* 2/1999 Worther ..... D19/49  
D482,396 S \* 11/2003 De Bon ..... D19/43  
D522,580 S \* 6/2006 Shibata ..... D19/51  
D546,385 S \* 7/2007 Bhavnani ..... D19/41

(\*\*) Term: **14 Years**

\* cited by examiner

(21) Appl. No.: **29/280,285**

*Primary Examiner*—Elizabeth A. Albert  
(74) *Attorney, Agent, or Firm*—The Soni Law Firm

(22) Filed: **May 23, 2007**

(51) **LOC (8) Cl.** ..... **19-06**  
(52) **U.S. Cl.** ..... **D19/49**  
(58) **Field of Classification Search** ..... D19/35,  
D19/36, 41–51, 53–57; 24/11 R, 11 F, 11 P;  
401/52, 99, 100, 104, 105, 106, 107, 108,  
401/109, 192, 195, 196  
See application file for complete search history.

(57) **CLAIM**

The ornamental design for a pen, as shown and described.

**DESCRIPTION**

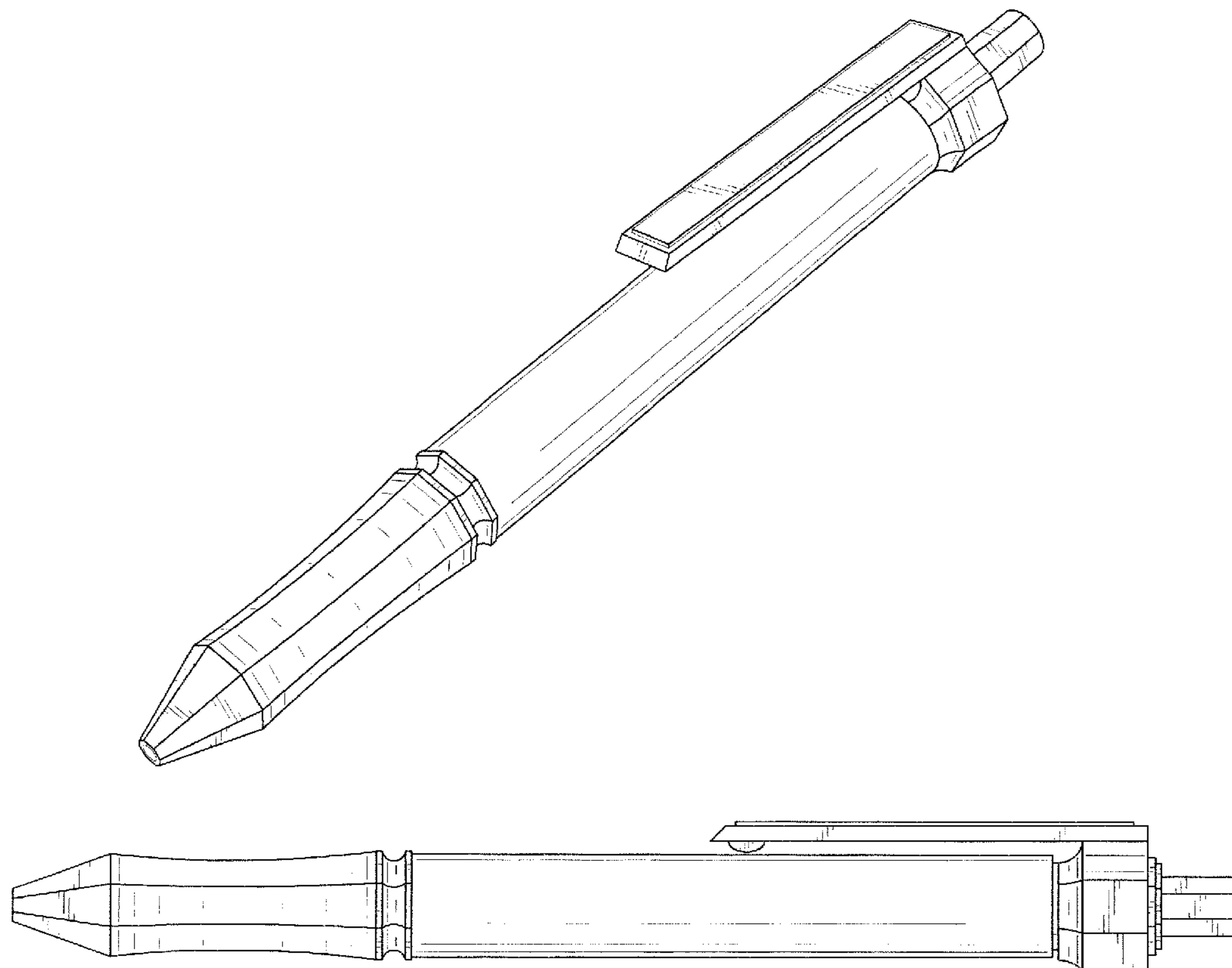
FIG. 1 is a front bottom side perspective view of the pen showing my new design;  
FIG. 2 is a front elevational view thereof;  
FIG. 3 is a side elevational view thereof;  
FIG. 4 is a bottom plan view thereof;  
FIG. 5 is a top plan view thereof; and,  
FIG. 6 is a back elevational view thereof.

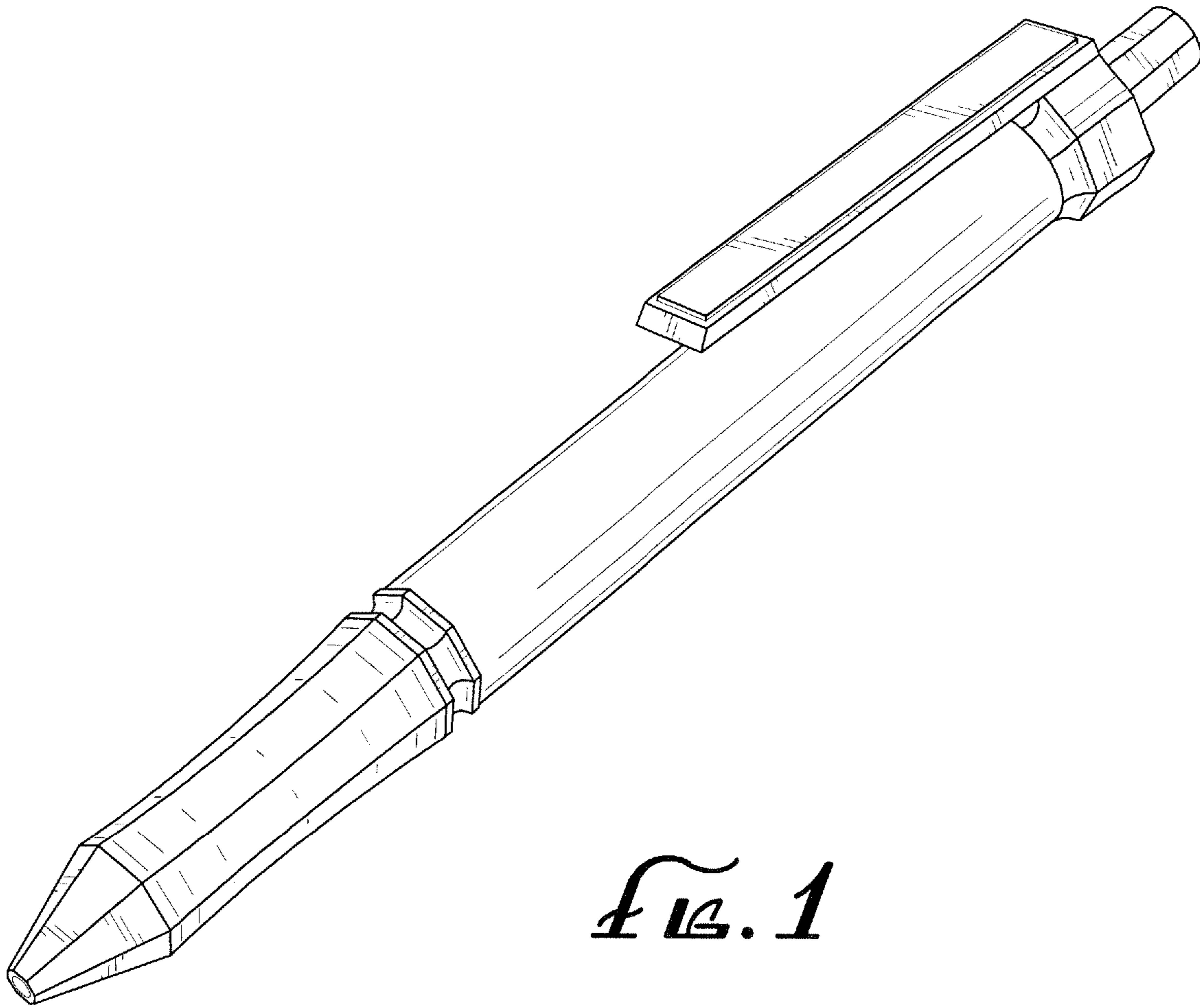
(56) **References Cited**

U.S. PATENT DOCUMENTS

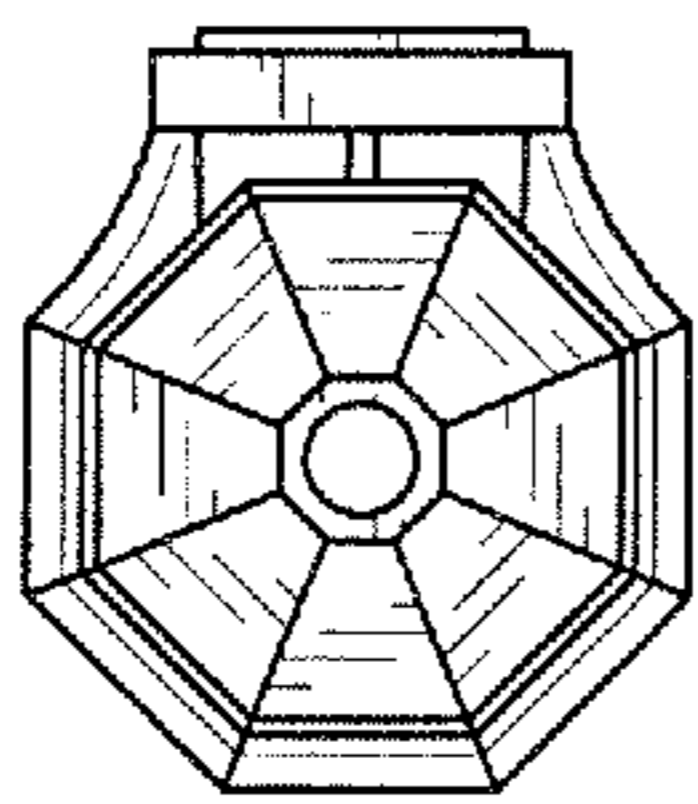
D117,839 S \* 11/1939 Zoll ..... D19/49  
D166,161 S \* 3/1952 Hanle ..... D19/48  
2,870,740 A \* 1/1959 Vogt ..... 401/34  
D216,282 S \* 12/1969 Danjczek ..... D19/49  
D236,917 S \* 9/1975 Melnick ..... D19/45

**1 Claim, 2 Drawing Sheets**

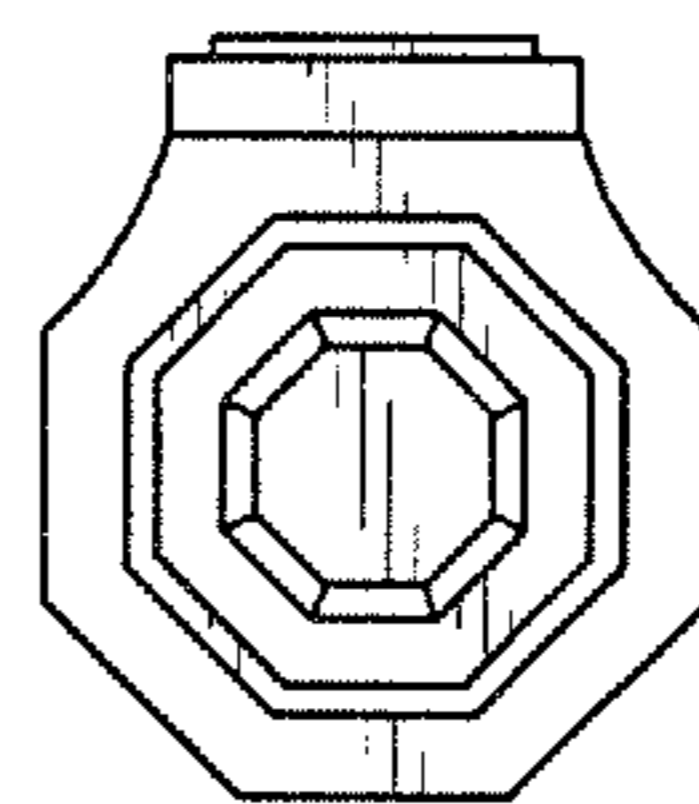




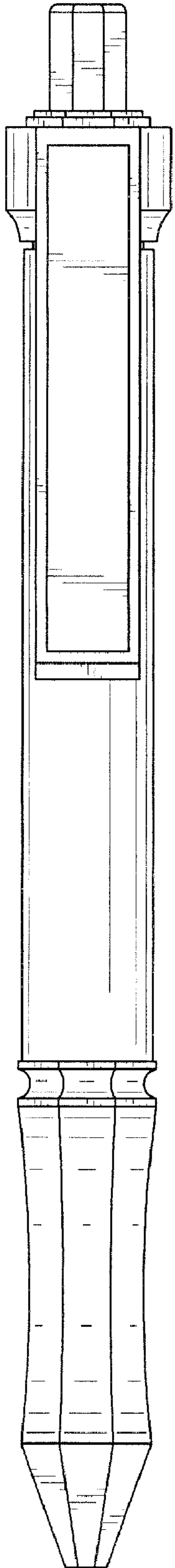
*FIG. 1*



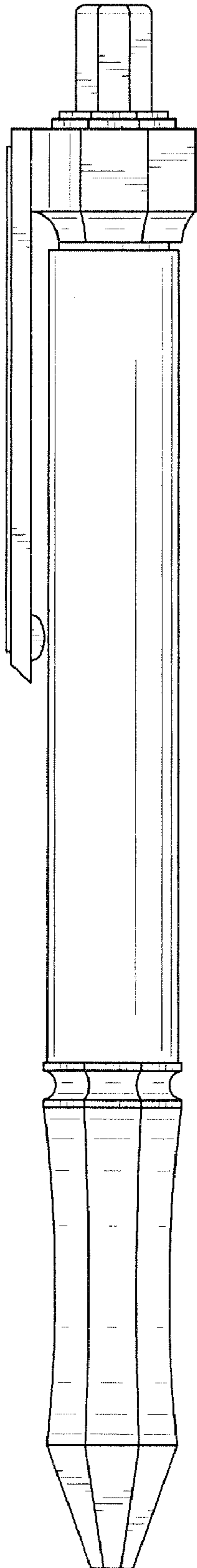
*FIG. 4*



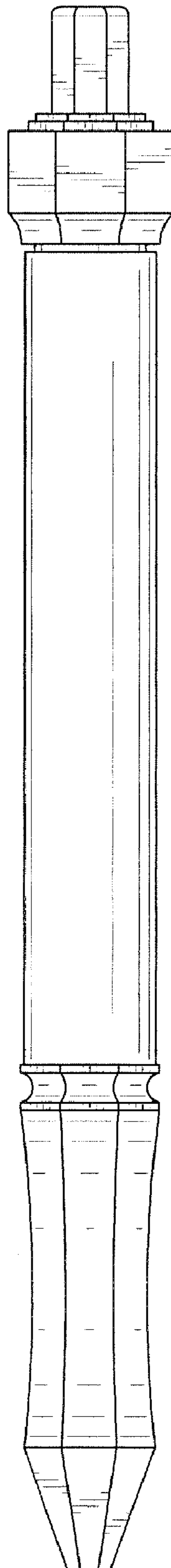
*FIG. 5*



*Fig. 2*



*Fig. 3*



*Fig. 4*