



US00D563466S

(12) **United States Design Patent**  
**Wanibe et al.**

(10) **Patent No.:** **US D563,466 S**  
(45) **Date of Patent:** **\*\* Mar. 4, 2008**

(54) **INK CARTRIDGE**

(75) Inventors: **Akihisa Wanibe**, Suwa (JP); **Taku Ishizawa**, Suwa (JP); **Takayoshi Katsumura**, Suwa (JP)

(73) Assignee: **Seiko Epson Corporation** (JP)

(\*\*) Term: **14 Years**

(21) Appl. No.: **29/269,406**

(22) Filed: **Nov. 29, 2006**

(30) **Foreign Application Priority Data**

May 31, 2006 (JP) ..... 2006-013998

(51) **LOC (8) Cl.** ..... **18-02**

(52) **U.S. Cl.** ..... **D18/56; 347/86**

(58) **Field of Classification Search** ..... D18/43,  
D18/56; 347/86-87

See application file for complete search history.

(56) **References Cited**

**U.S. PATENT DOCUMENTS**

D453,184 S \* 1/2002 Ito et al. .... D18/56  
D466,151 S \* 11/2002 Shinada et al. .... D18/56  
D536,374 S \* 2/2007 Shinada et al. .... D18/56  
D541,335 S \* 4/2007 Katsuyama et al. .... D18/56

2004/0165043 A1\* 8/2004 Sakai et al. .... 347/86  
2007/0103522 A1\* 5/2007 Hashii et al. .... 347/86  
2007/0126827 A1\* 6/2007 Katsumura ..... 347/86  
2007/0222835 A1\* 9/2007 Lui ..... 347/86

\* cited by examiner

*Primary Examiner*—Cathy Anne MacCormac

(74) *Attorney, Agent, or Firm*—Harness, Dickey & Pierce, P.L.C.

(57) **CLAIM**

The ornamental design for an ink cartridge, as shown and described.

**DESCRIPTION**

FIG. 1 is a perspective view of the front, left and bottom of an ink cartridge showing our new design;

FIG. 2 is a perspective view of the rear, right and top thereof;

FIG. 3 is a top plan view thereof;

FIG. 4 is a front view thereof;

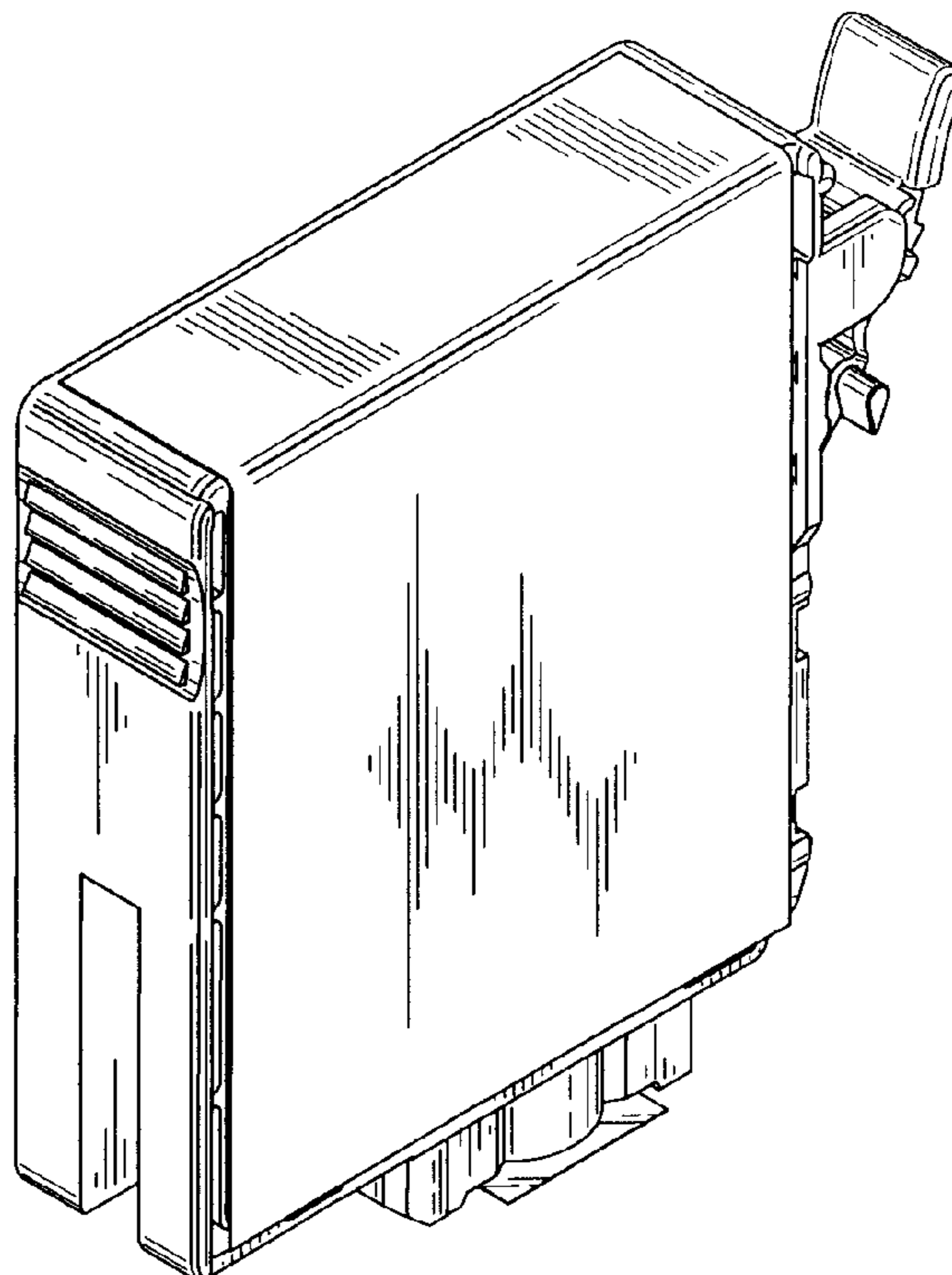
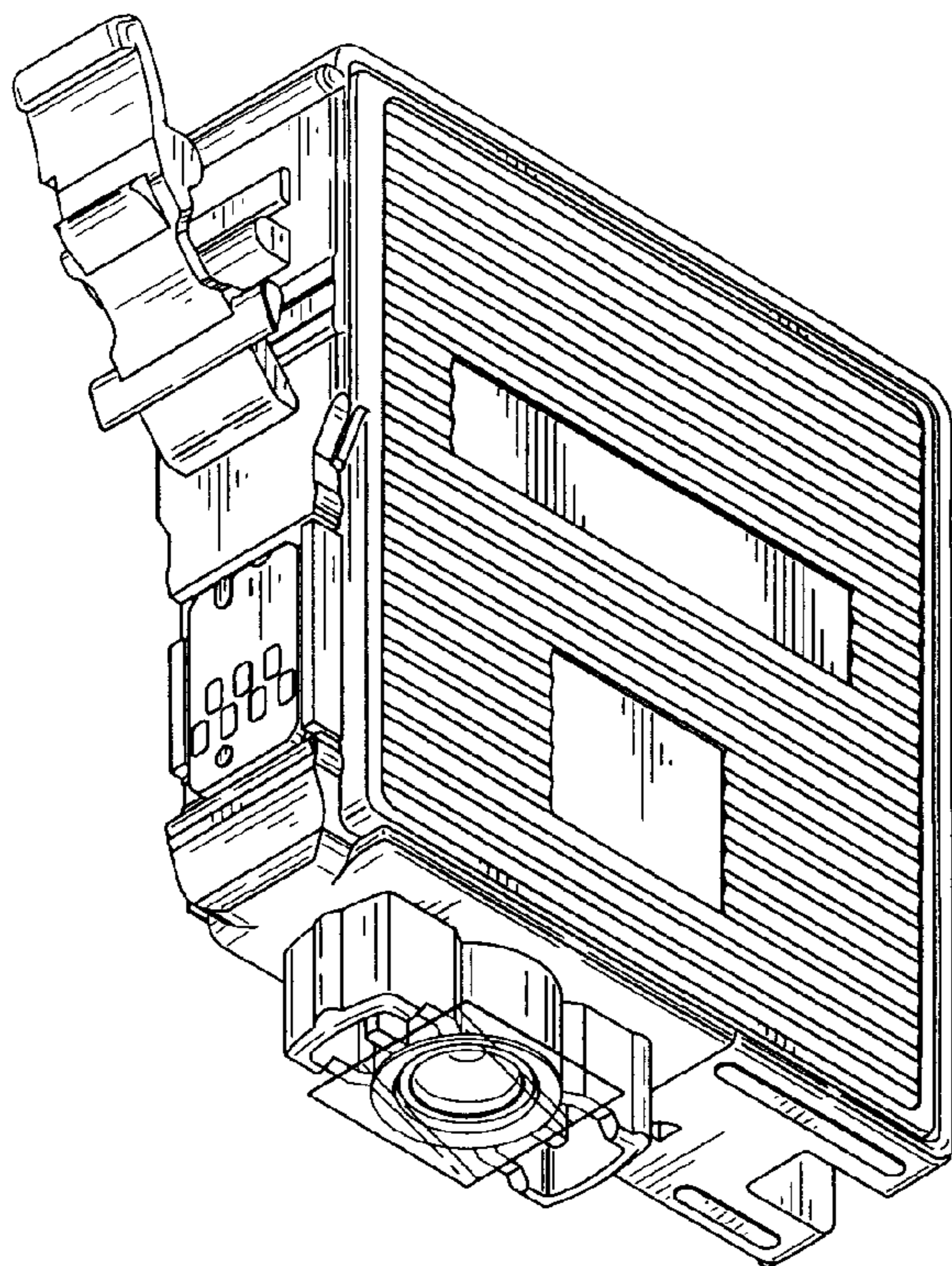
FIG. 5 is a left side view thereof;

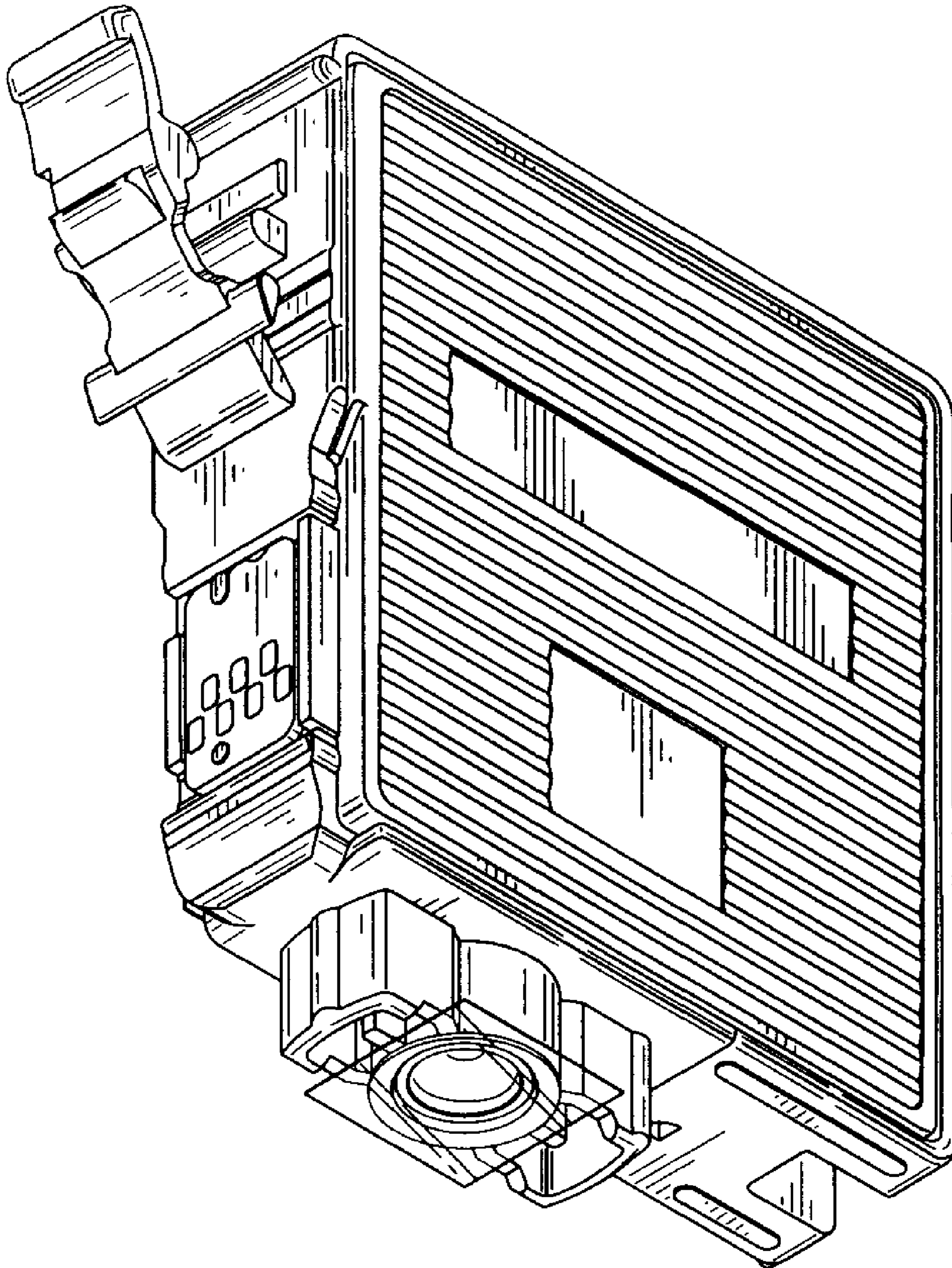
FIG. 6 is a right side view thereof;

FIG. 7 is a rear view thereof; and,

FIG. 8 is a bottom view thereof.

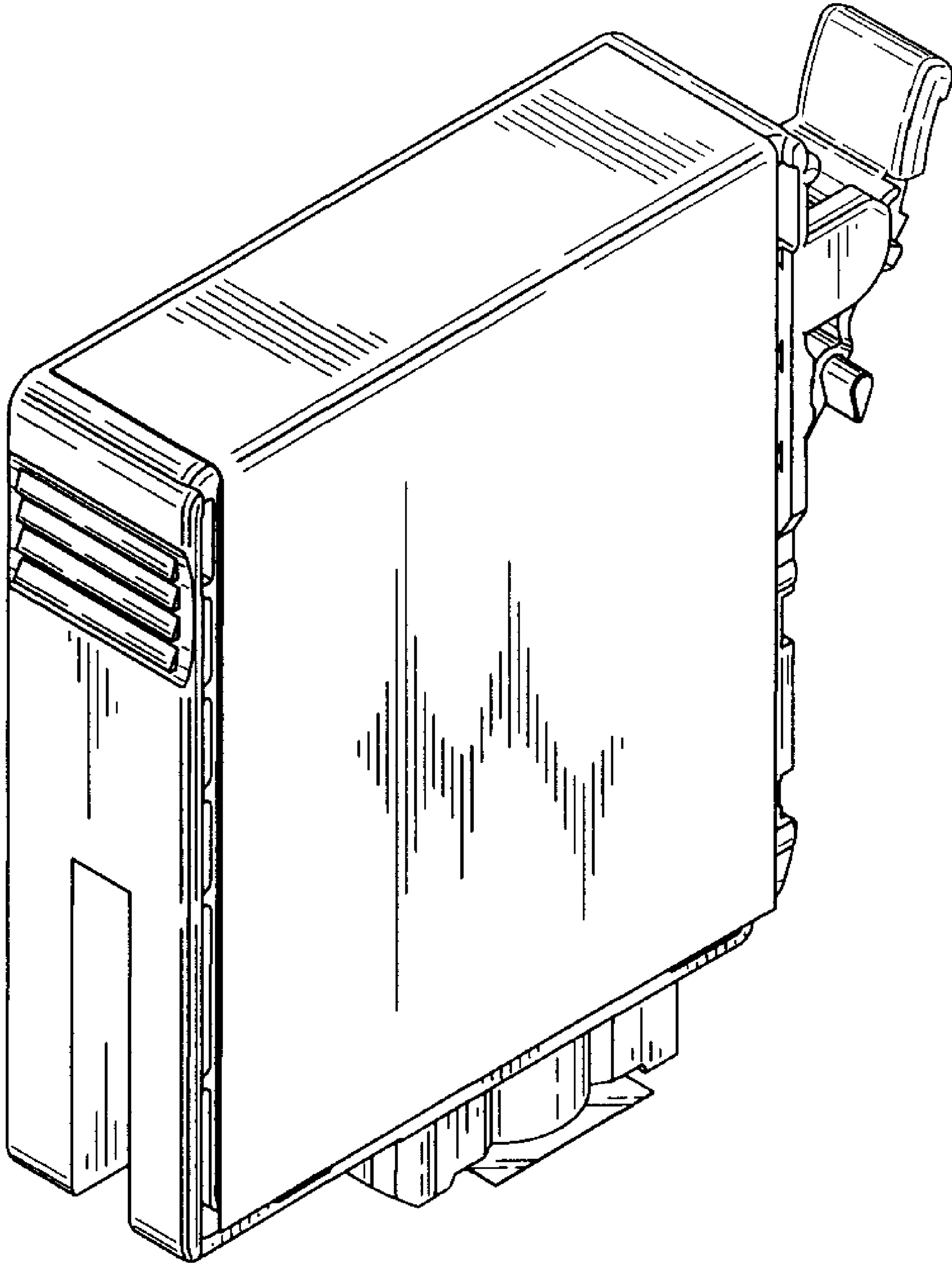
**1 Claim, 5 Drawing Sheets**



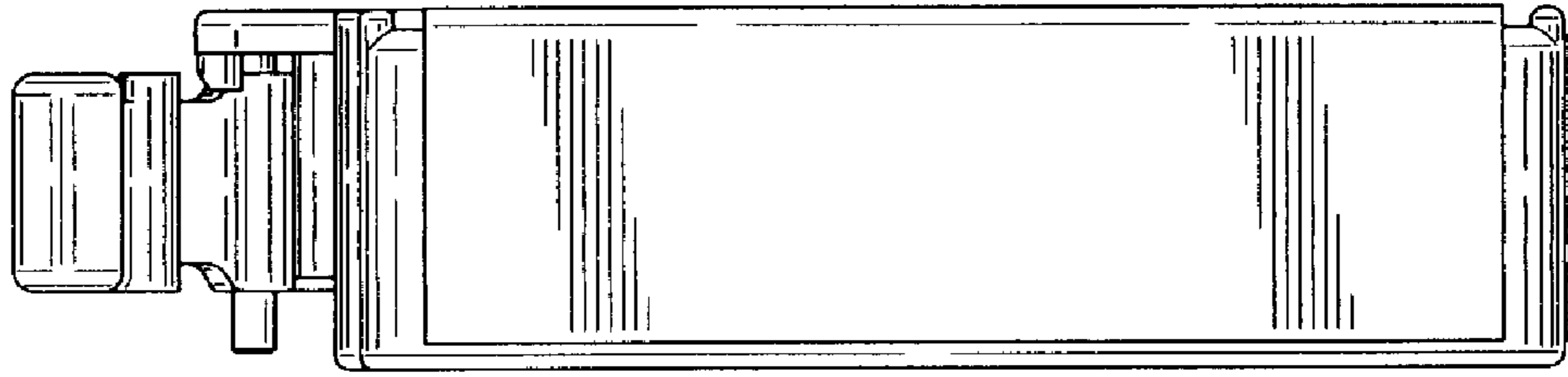


**FIG. 1**

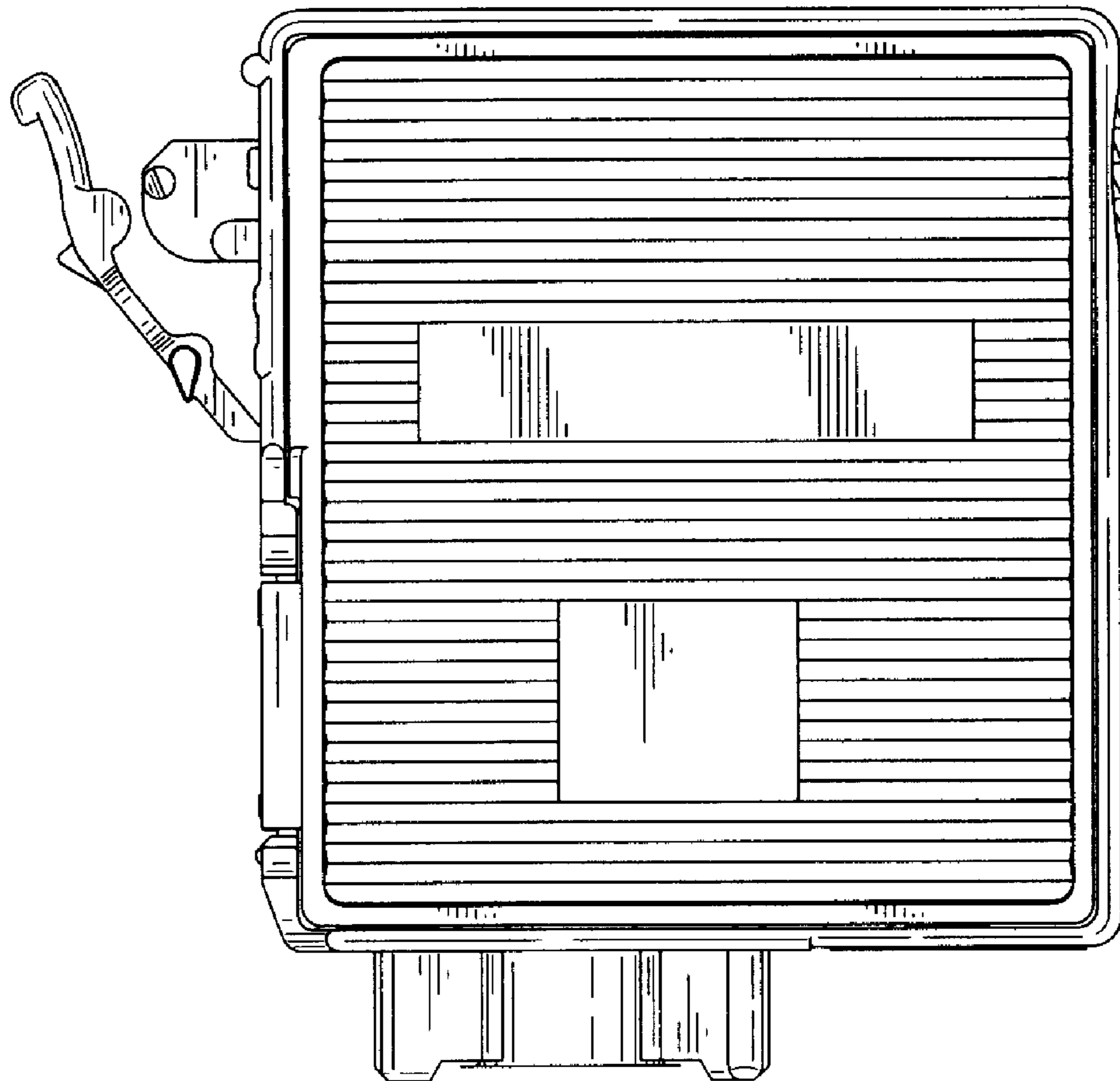




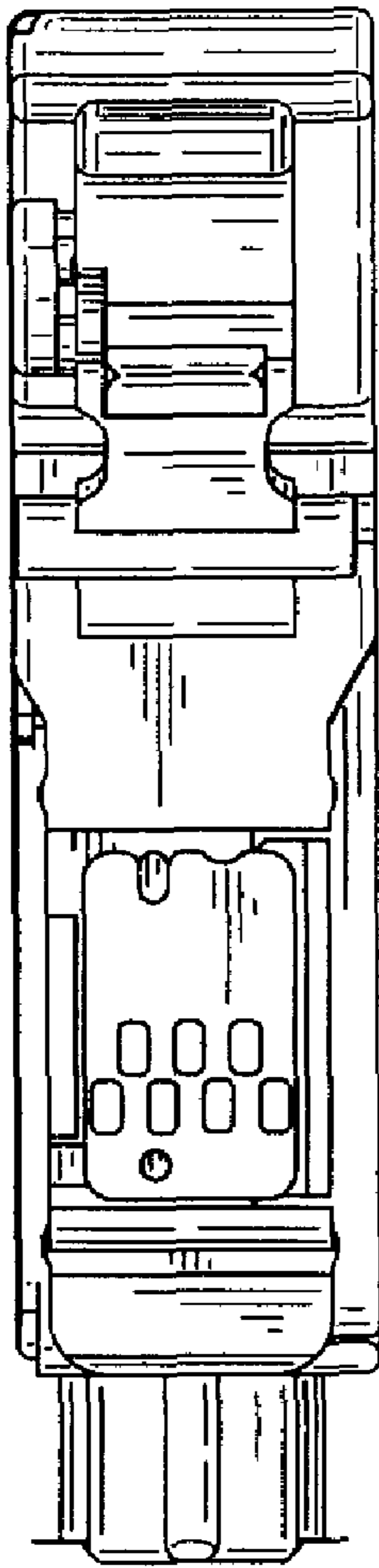
**FIG. 2**



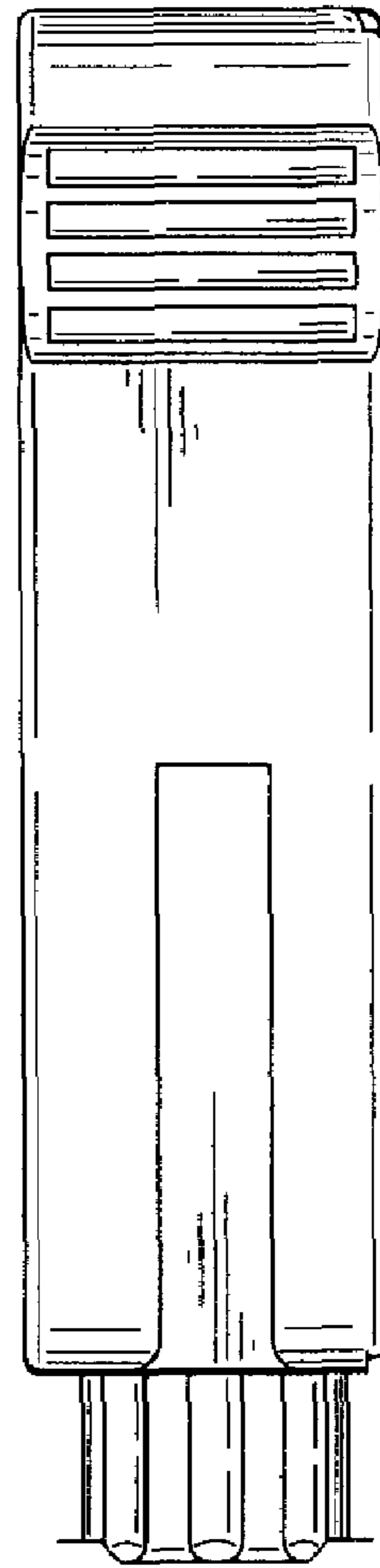
*FIG. 3*



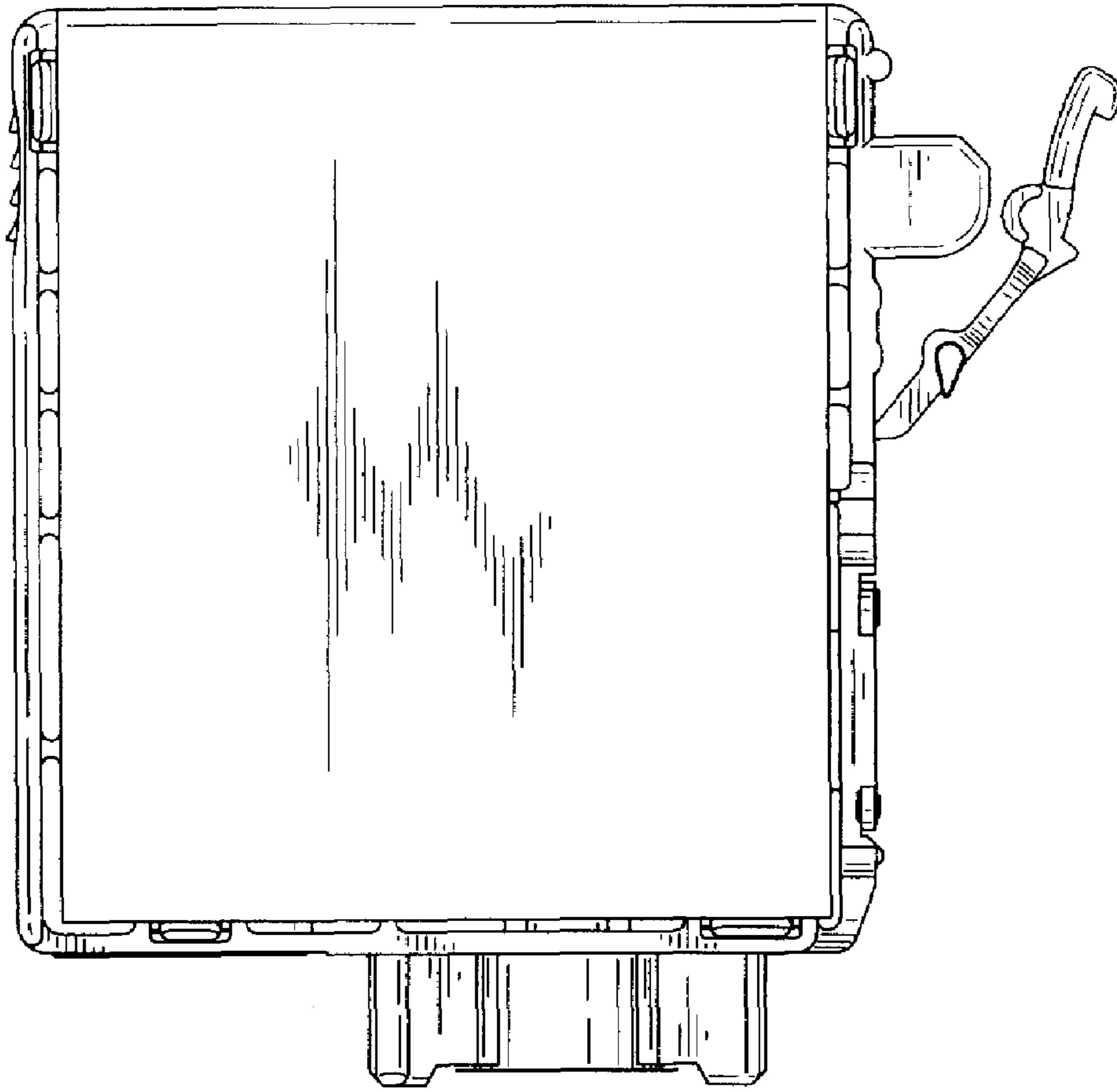
*FIG. 4*



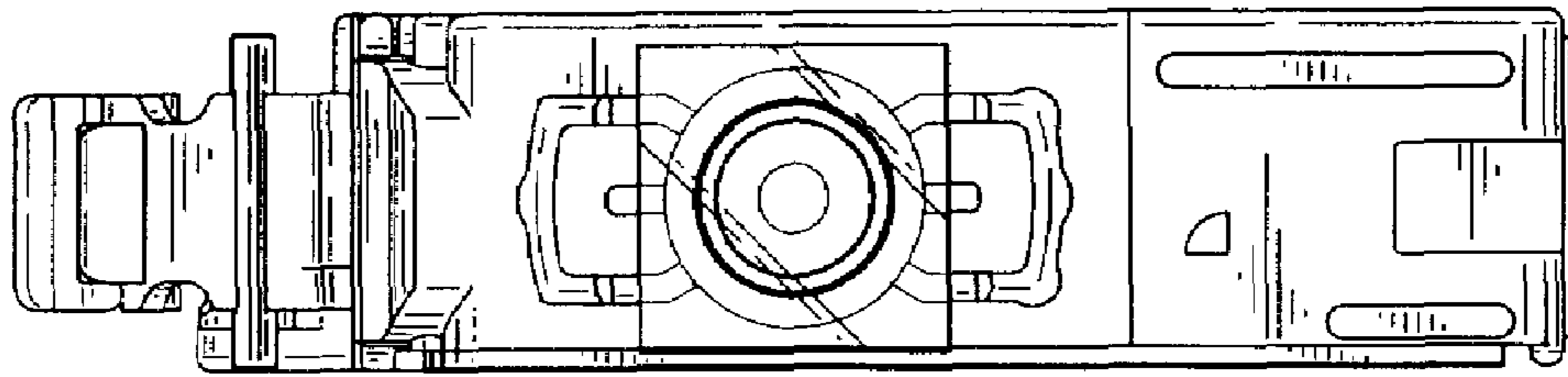
**FIG. 5**



**FIG. 6**



*FIG. 7*



*FIG. 8*