



US00D563465S

(12) **United States Design Patent**
Ishizawa et al.

(10) **Patent No.:** **US D563,465 S**
(45) **Date of Patent:** **** Mar. 4, 2008**

(54) **INK CARTRIDGE**

(75) Inventors: **Taku Ishizawa**, Suwa (JP); **Akihisa Wanibe**, Suwa (JP); **Takayoshi Katsumura**, Suwa (JP)

(73) Assignee: **Seiko Epson Corporation** (JP)

(**) Term: **14 Years**

(21) Appl. No.: **29/269,405**

(22) Filed: **Nov. 29, 2006**

(30) **Foreign Application Priority Data**

May 31, 2006 (JP) 2006-013988

(51) **LOC (8) Cl.** **18-02**

(52) **U.S. Cl.** **D18/56; 347/86**

(58) **Field of Classification Search** D18/43,
D18/56; 347/86-87

See application file for complete search history.

(56) **References Cited**

U.S. PATENT DOCUMENTS

D424,612 S * 5/2000 Inoue et al. D18/56
D438,560 S * 3/2001 Inoue et al. D18/56
D536,374 S * 2/2007 Shinada et al. D18/56
2004/0165043 A1 * 8/2004 Sakai et al. 347/86

2007/0103522 A1 * 5/2007 Hashii et al. 347/86
2007/0126827 A1 * 6/2007 Katsumura 347/86
2007/0139492 A1 * 6/2007 Anderson et al. 347/86
2007/0195141 A1 * 8/2007 Anma et al. 347/86

* cited by examiner

Primary Examiner—Cathy Anne MacCormac

(74) *Attorney, Agent, or Firm*—Harness, Dickey & Pierce, P.L.C.

(57) **CLAIM**

The ornamental design for an ink cartridge, as shown and described.

DESCRIPTION

FIG. 1 is a perspective view of the front, left and bottom of an ink cartridge showing our new design;

FIG. 2 is a perspective view of the rear, right and top thereof;

FIG. 3 is a top plan view thereof;

FIG. 4 is a front view thereof;

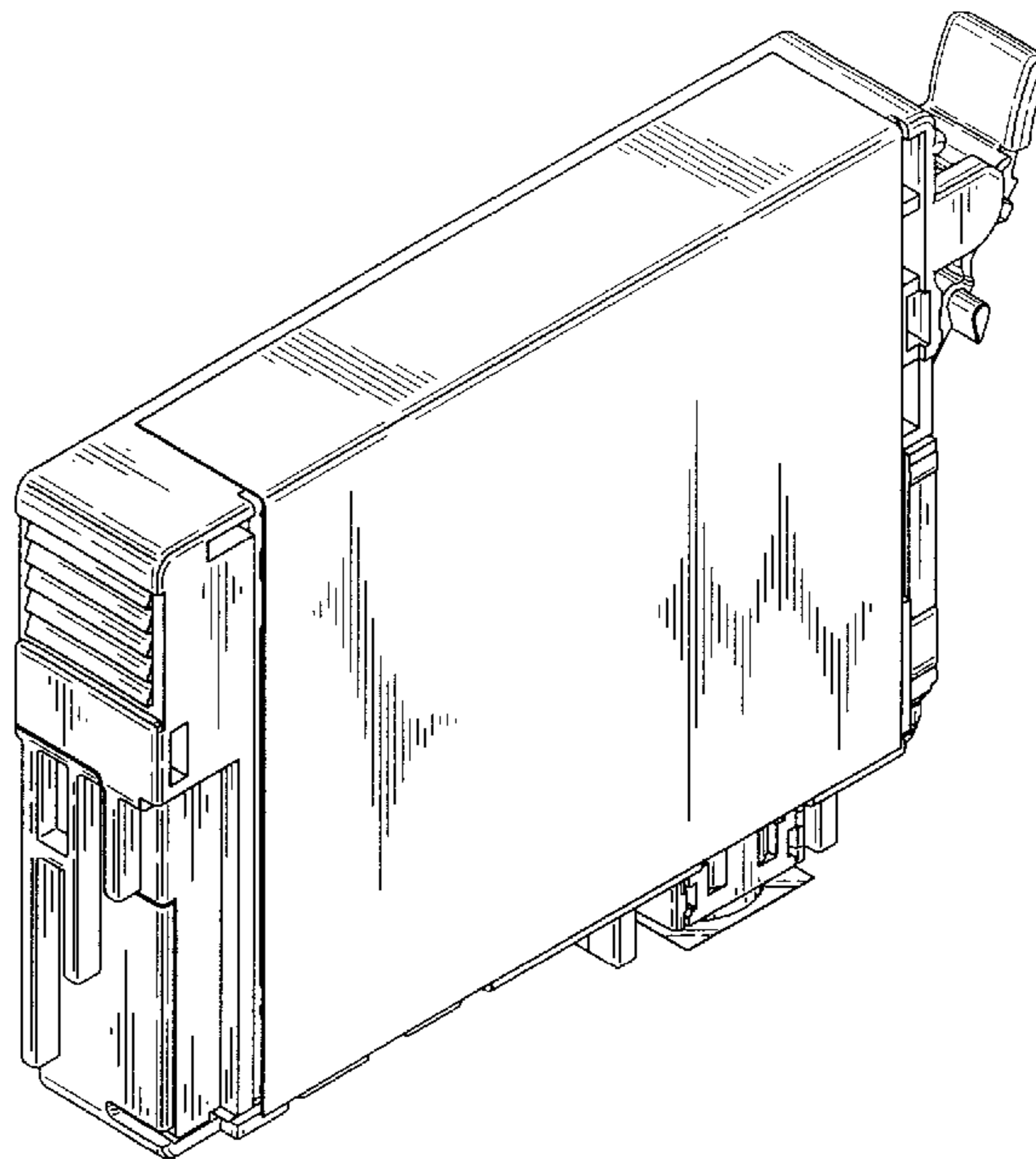
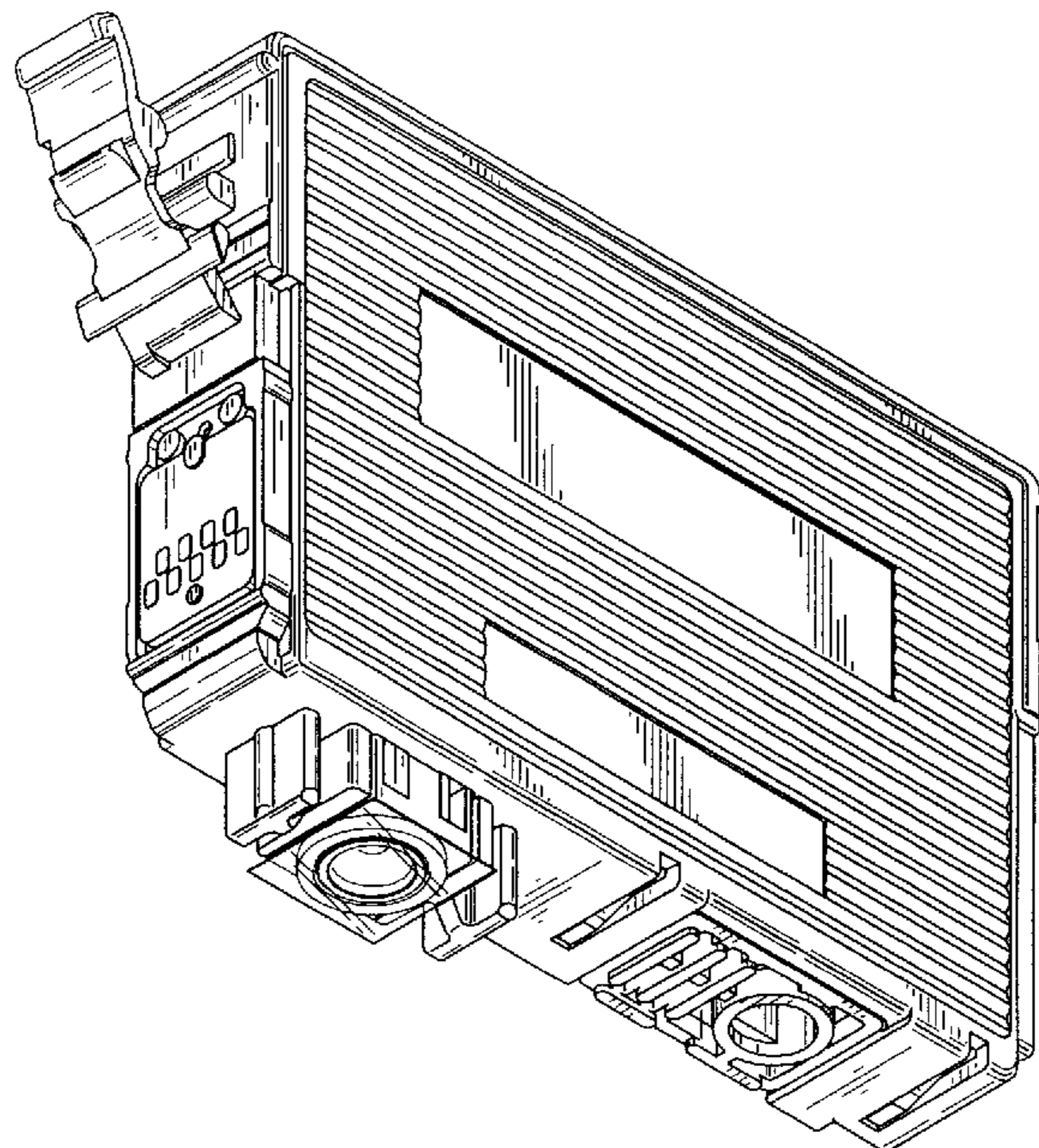
FIG. 5 is a left side view thereof;

FIG. 6 is a right side view thereof;

FIG. 7 is a rear view thereof; and,

FIG. 8 is a bottom view thereof.

1 Claim, 5 Drawing Sheets



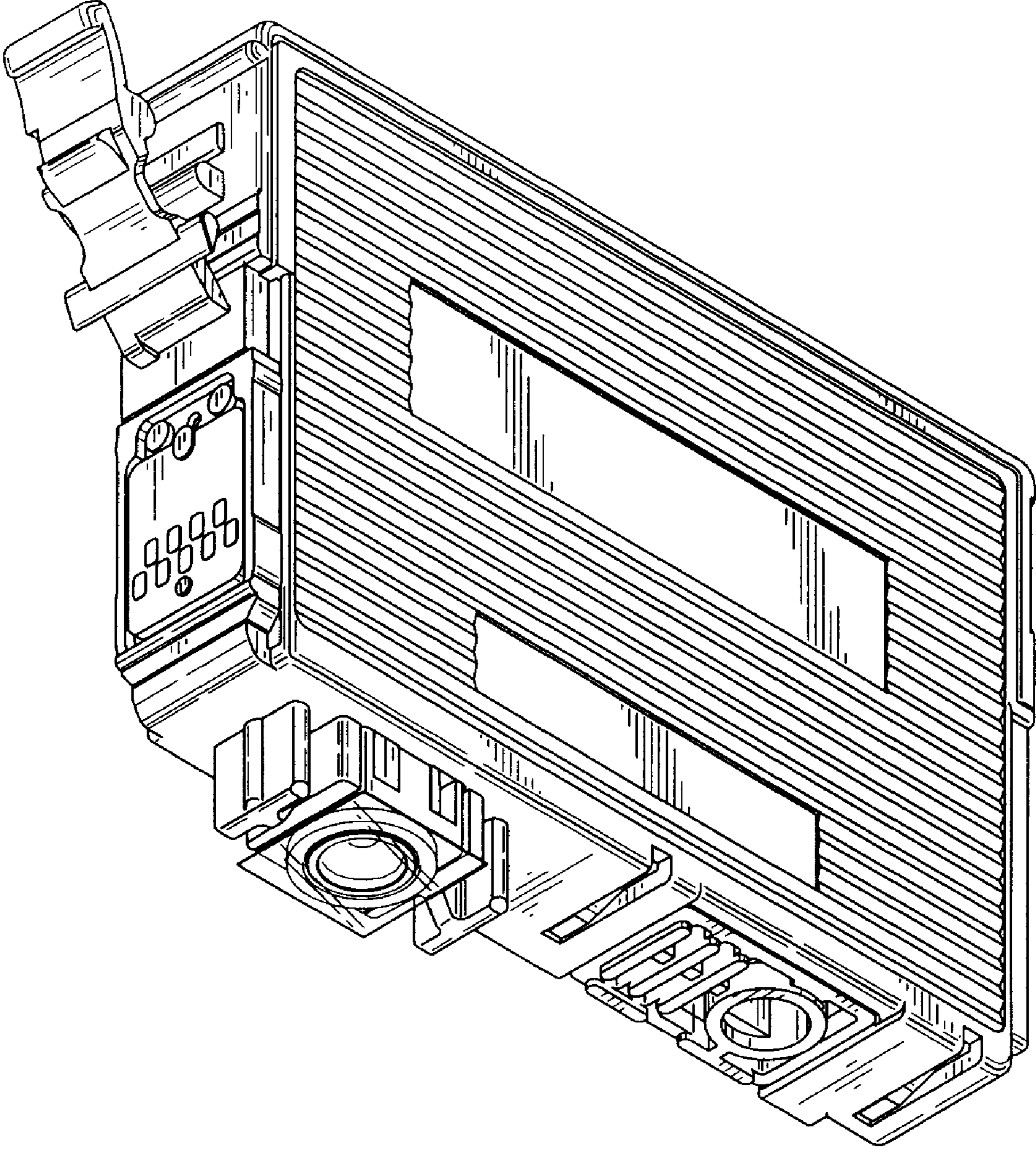


FIG. 1

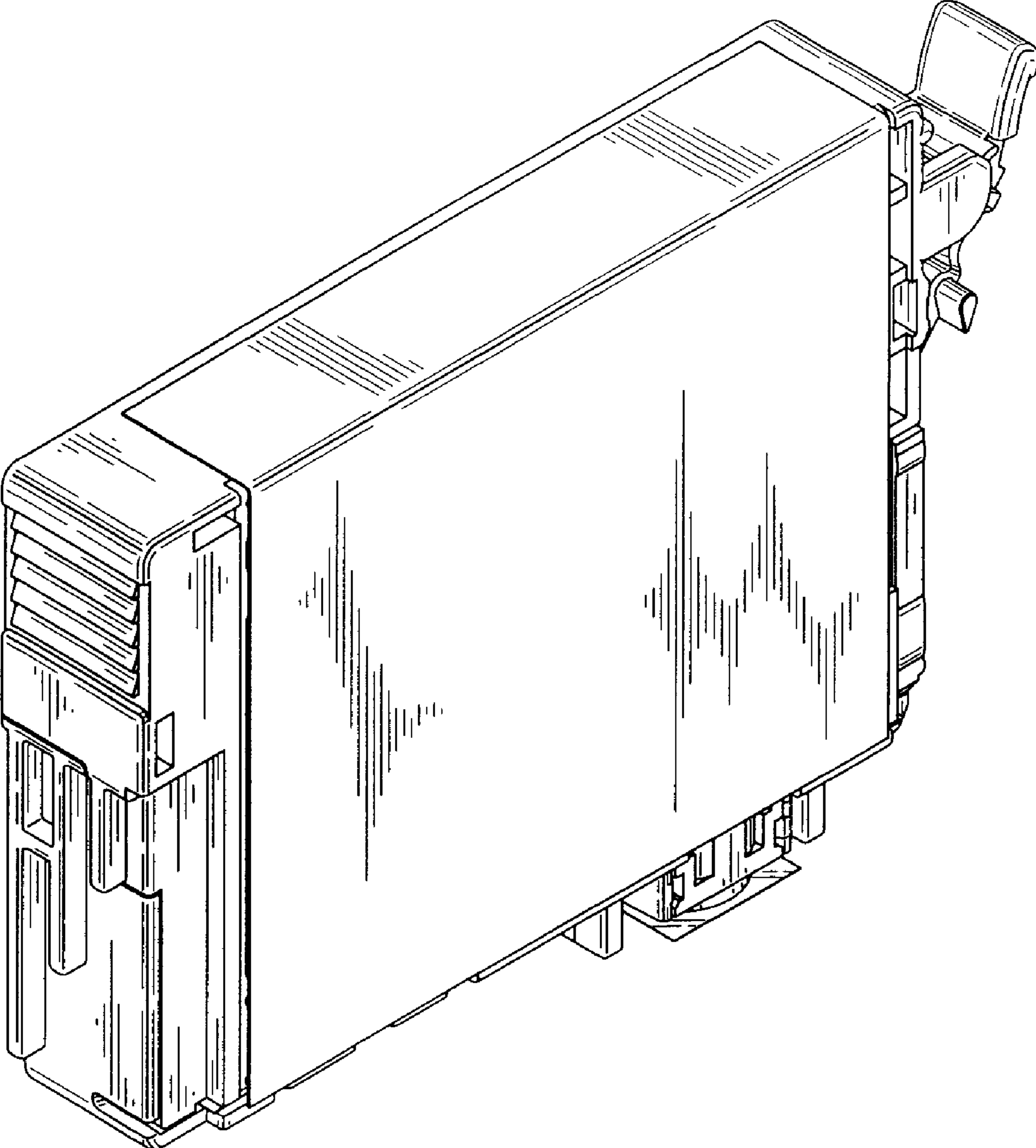


FIG. 2

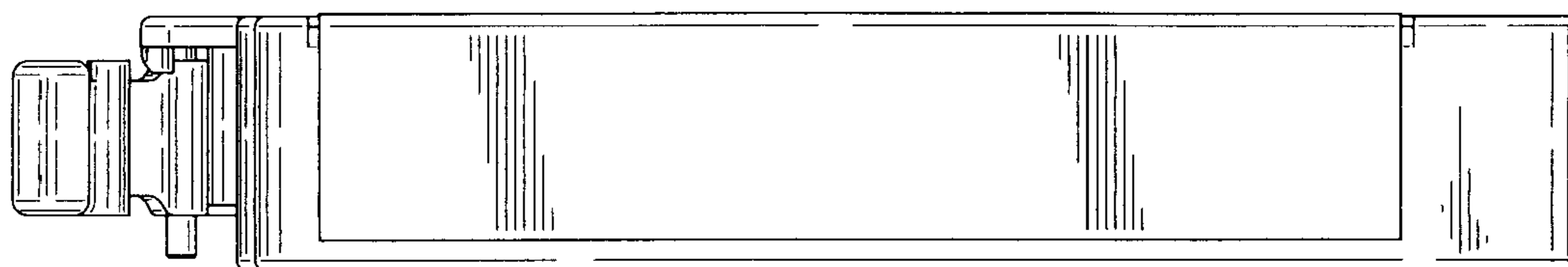


FIG. 3

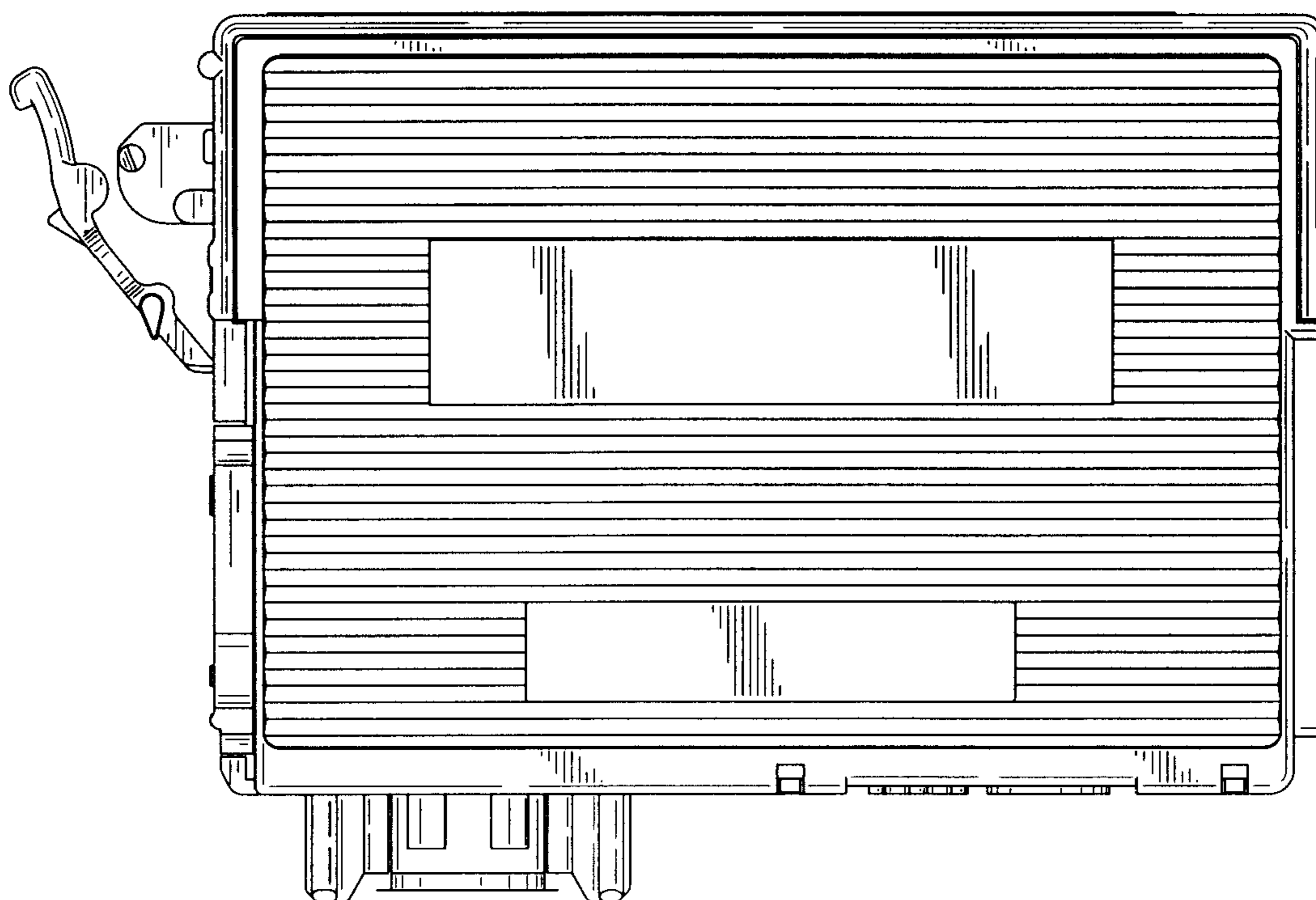


FIG. 4

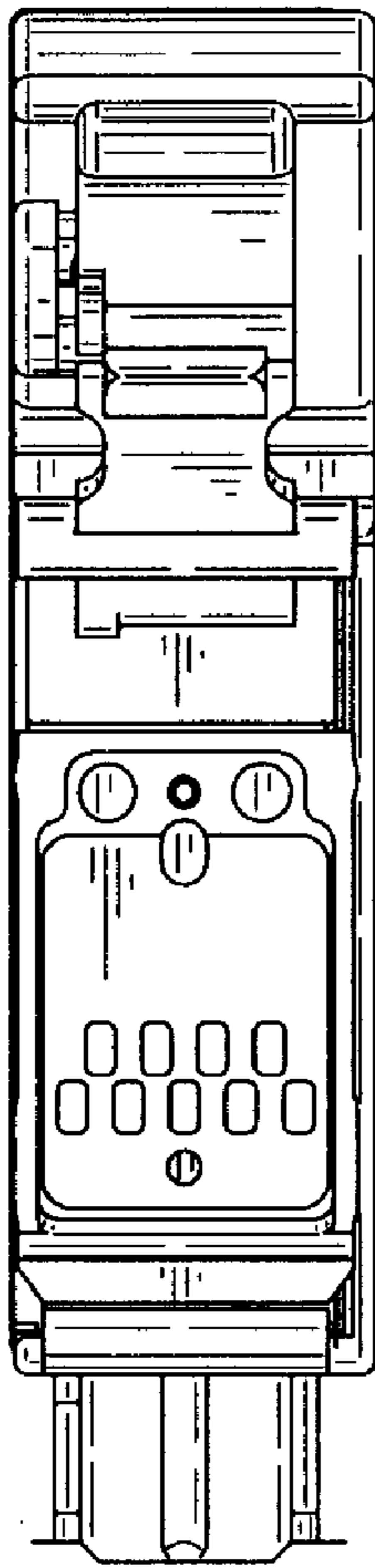


FIG. 5

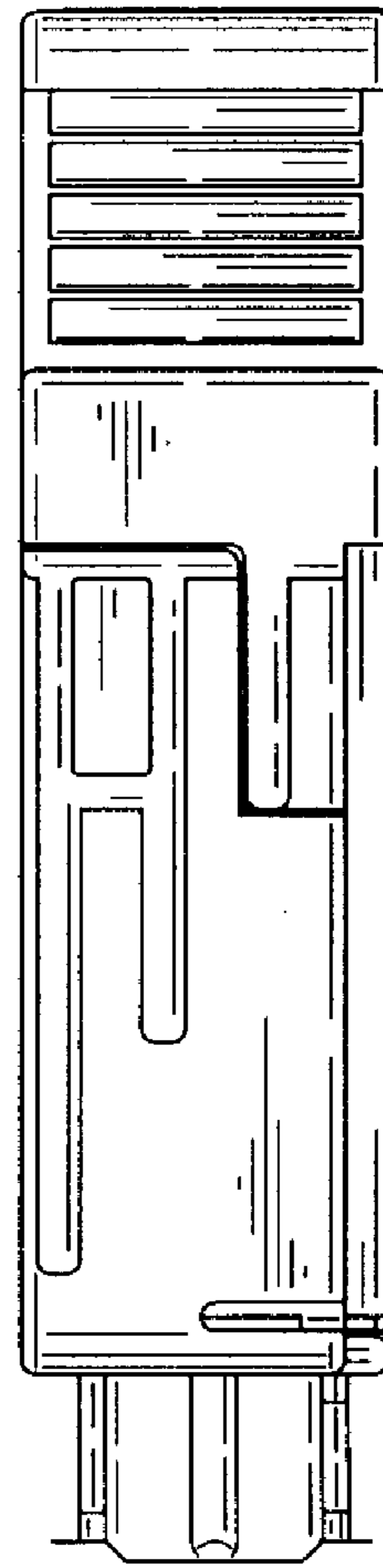


FIG. 6

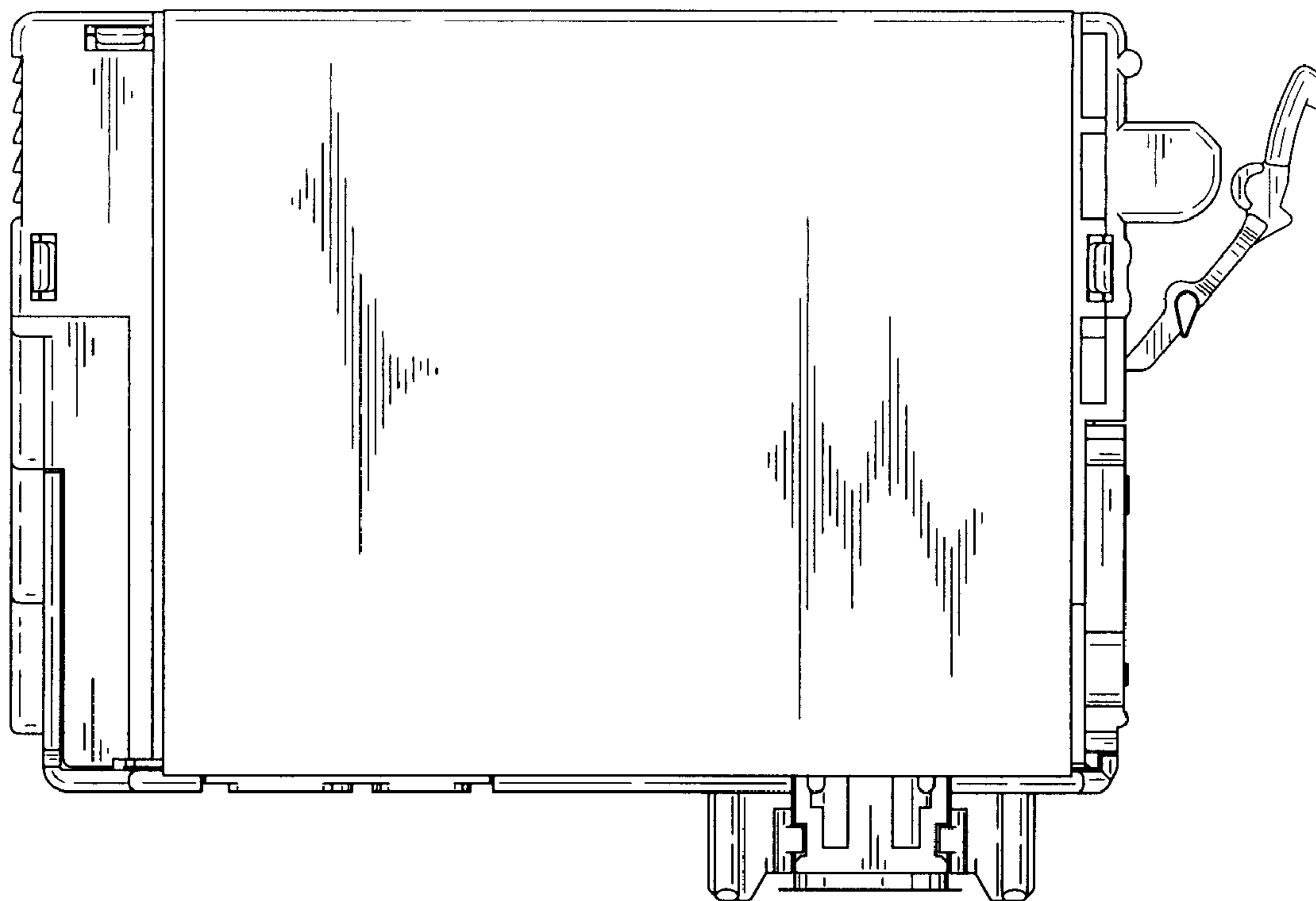


FIG. 7

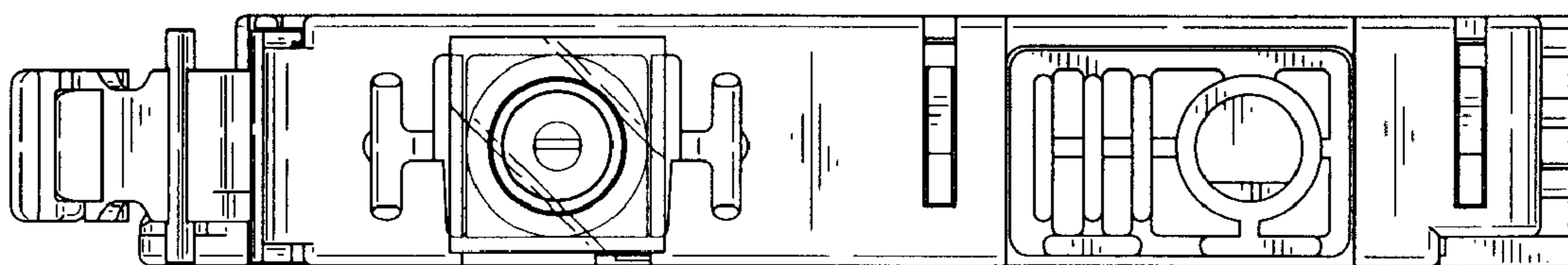


FIG. 8