



US00D563463S

(12) **United States Design Patent**  
**Ishizawa et al.**

(10) **Patent No.:** **US D563,463 S**

(45) **Date of Patent:** **\*\* Mar. 4, 2008**

(54) **INK CARTRIDGE**

(75) Inventors: **Taku Ishizawa**, Suwa (JP); **Akihisa Wanibe**, Suwa (JP); **Takayoshi Katsumura**, Suwa (JP)

(73) Assignee: **Seiko Epson Corporation** (JP)

(\*\*) Term: **14 Years**

(21) Appl. No.: **29/269,403**

(22) Filed: **Nov. 29, 2006**

(30) **Foreign Application Priority Data**

May 31, 2006 (JP) ..... 2006-014014

(51) **LOC (8) Cl.** ..... **18-02**

(52) **U.S. Cl.** ..... **D18/56; 347/86**

(58) **Field of Classification Search** ..... D18/43,  
D18/56; 347/86-87

See application file for complete search history.

(56) **References Cited**

**U.S. PATENT DOCUMENTS**

D424,612 S \* 5/2000 Inoue et al. .... D18/56  
D438,560 S \* 3/2001 Inoue et al. .... D18/56  
D536,374 S \* 2/2007 Shinada et al. .... D18/56  
2004/0165043 A1\* 8/2004 Sakai et al. .... 347/86

2007/0103522 A1\* 5/2007 Hashii et al. .... 347/86  
2007/0126827 A1\* 6/2007 Katsumura ..... 347/86  
2007/0139492 A1\* 6/2007 Anderson et al. .... 347/86  
2007/0195141 A1\* 8/2007 Anma et al. .... 347/86

\* cited by examiner

*Primary Examiner*—Cathy Anne MacCormac

(74) *Attorney, Agent, or Firm*—Harness, Dickey & Pierce, P.L.C.

(57) **CLAIM**

The ornamental design for an ink cartridge, as shown and described.

**DESCRIPTION**

FIG. 1 is a perspective view of the front, left and bottom of an ink cartridge showing our new design;

FIG. 2 is a perspective view of the rear, right and top thereof;

FIG. 3 is a top plan view thereof;

FIG. 4 is a front view thereof;

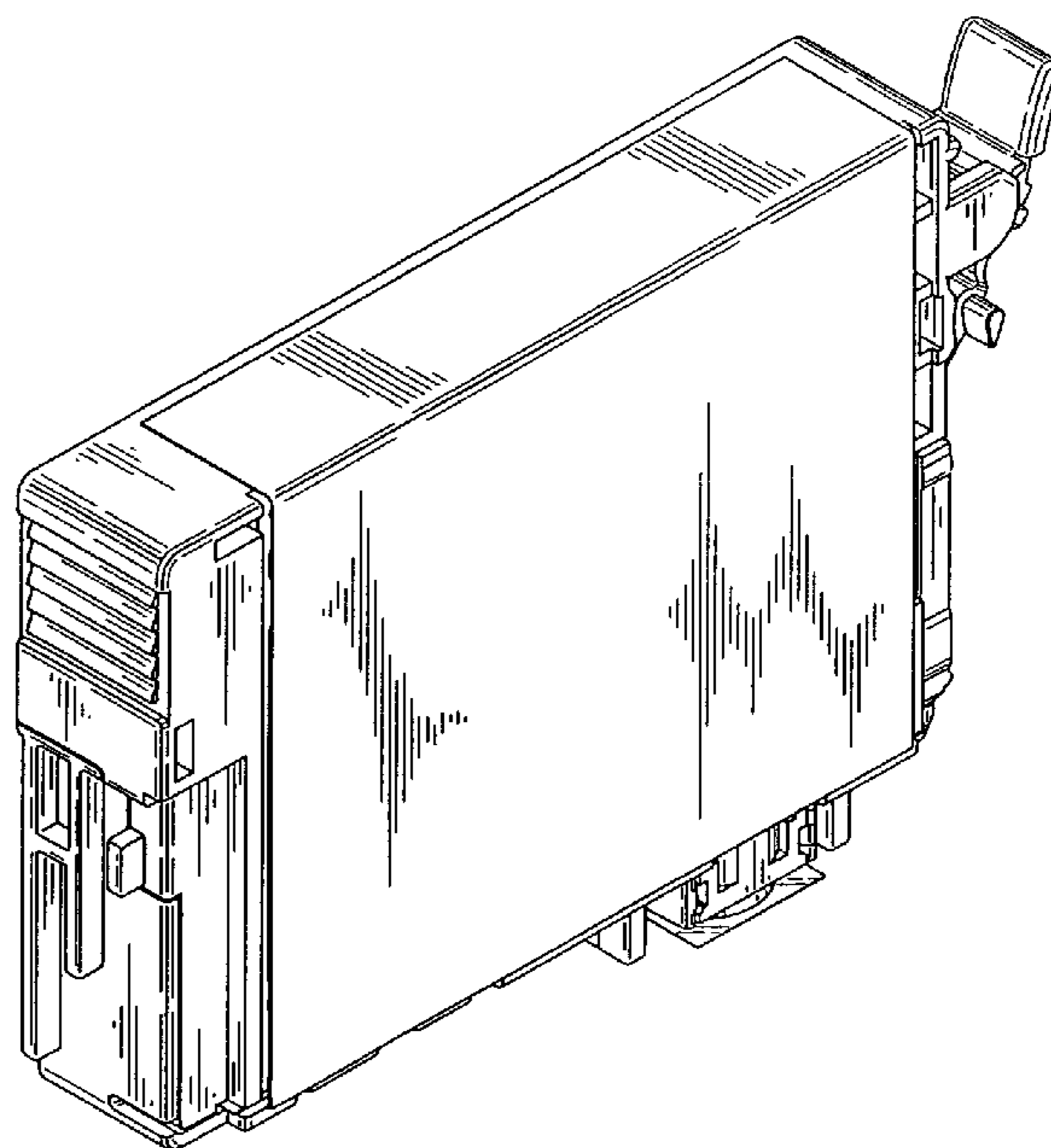
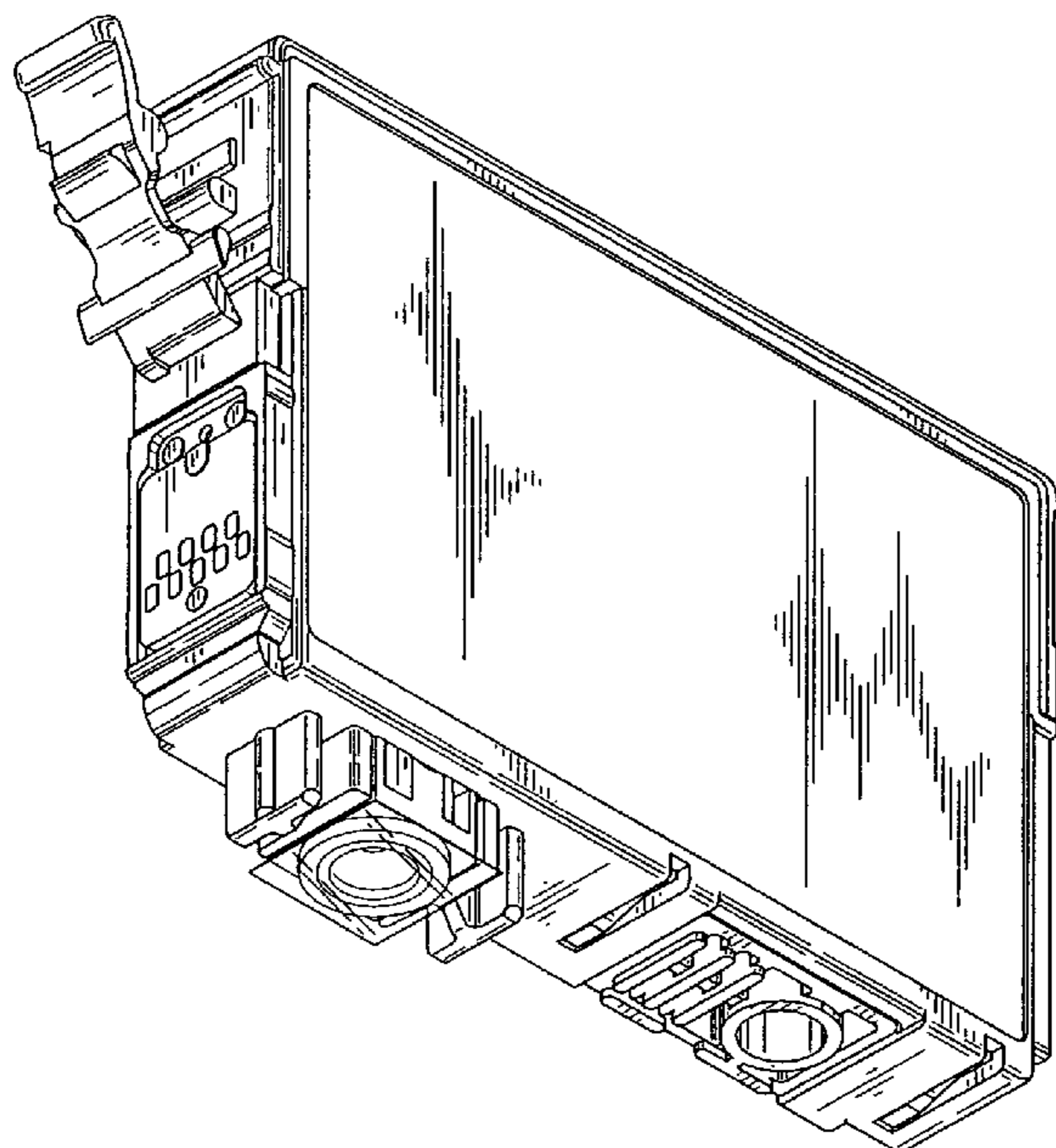
FIG. 5 is a left side view thereof;

FIG. 6 is a right side view thereof;

FIG. 7 is a rear view thereof; and,

FIG. 8 is a bottom view thereof.

**1 Claim, 5 Drawing Sheets**



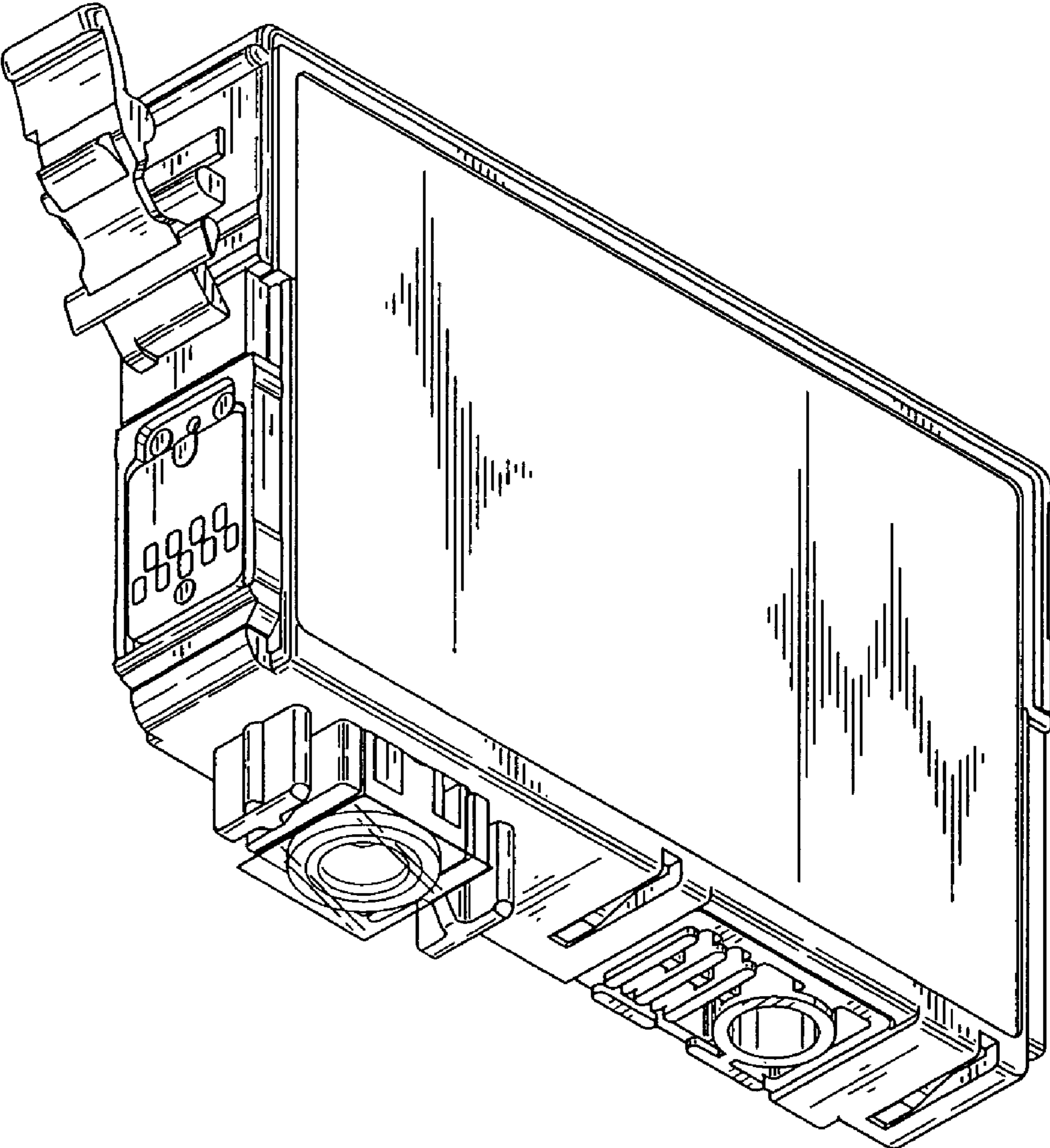
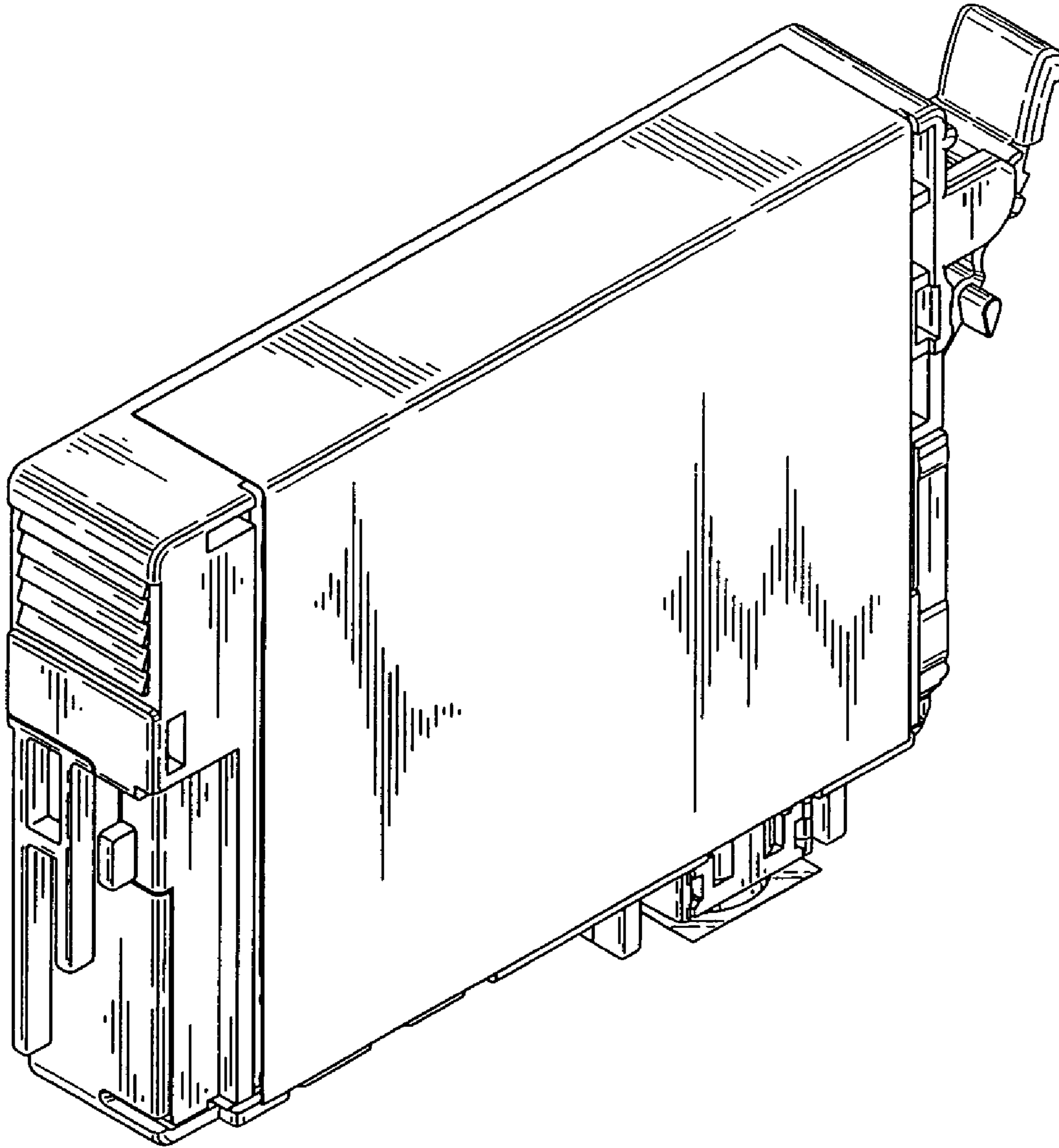


FIG. 1



*FIG. 2*

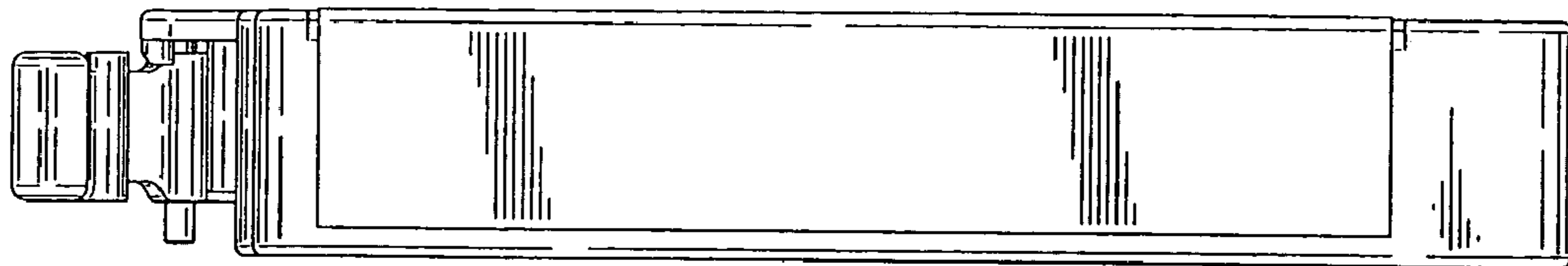


FIG. 3

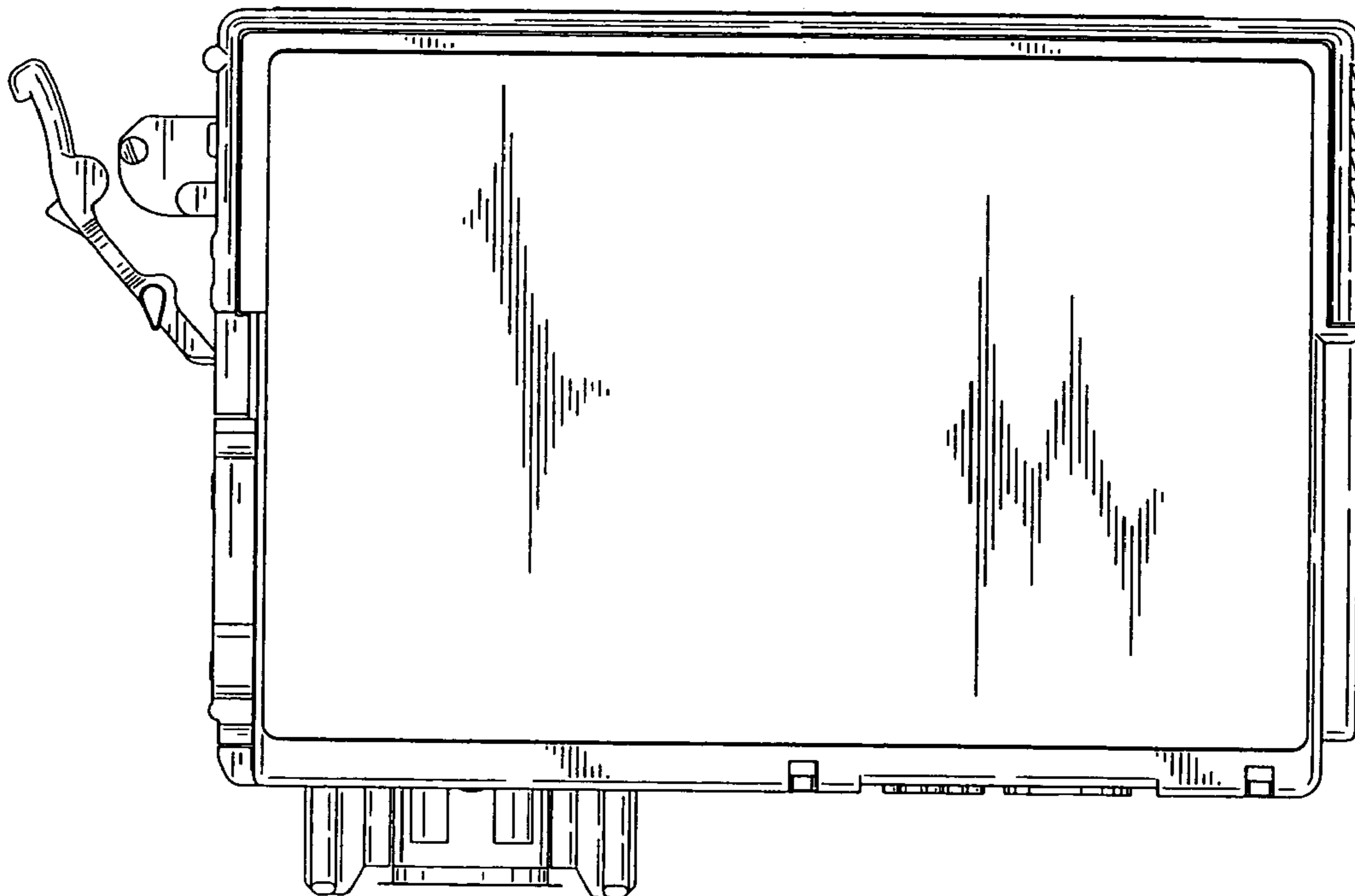
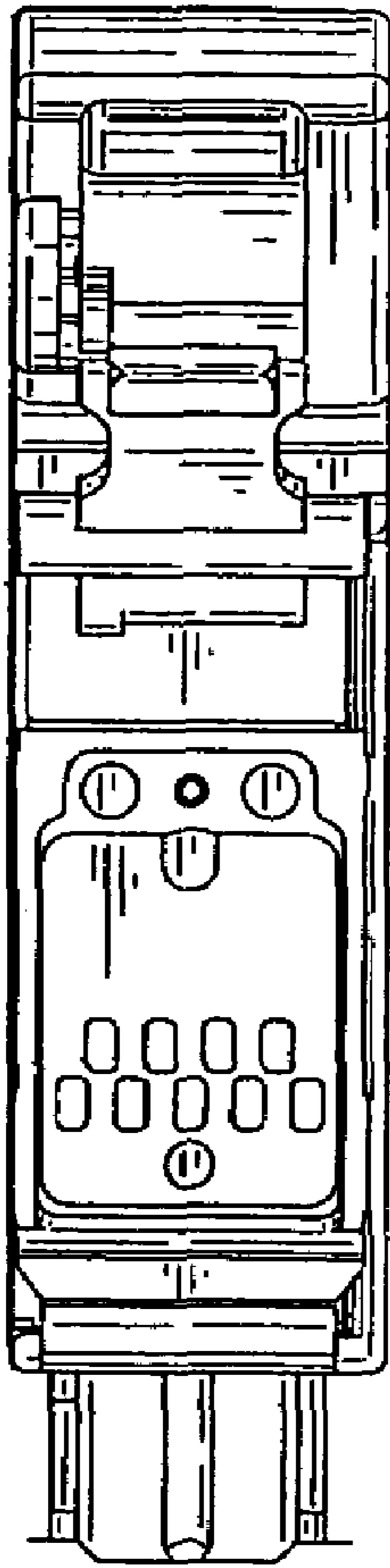
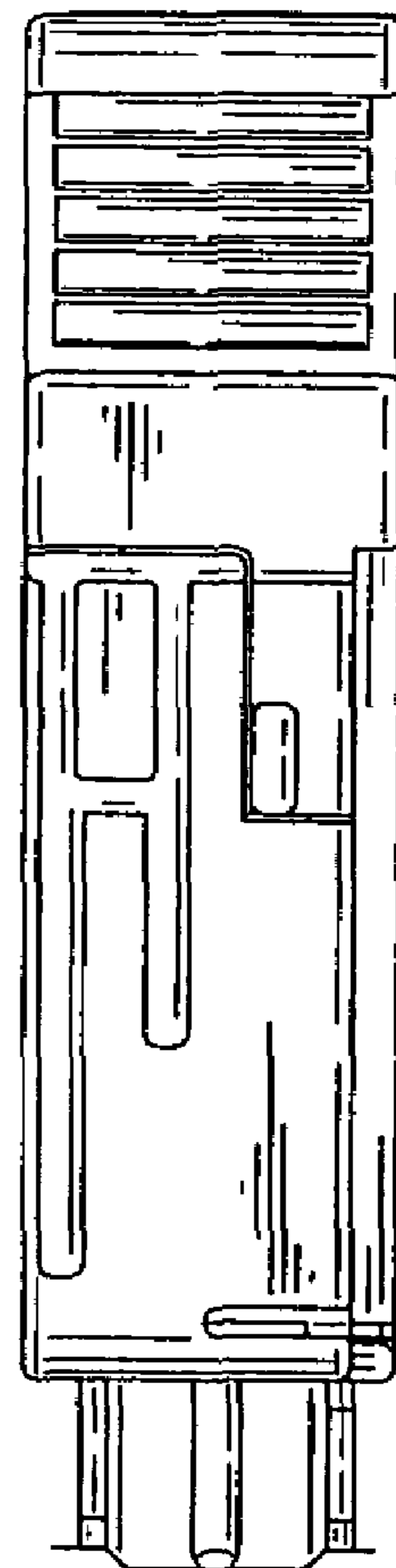


FIG. 4



*FIG. 5*



*FIG. 6*

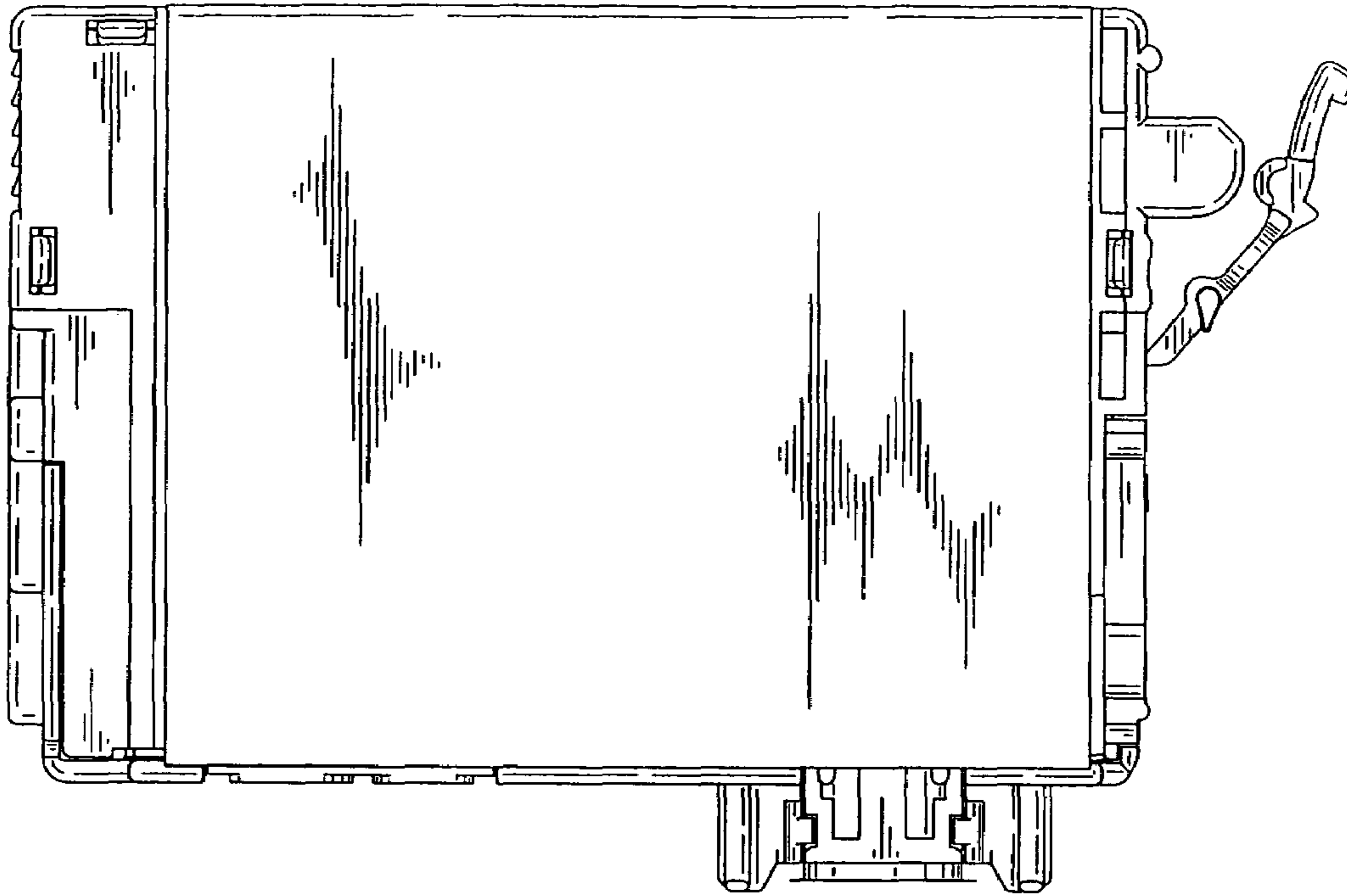


FIG. 7

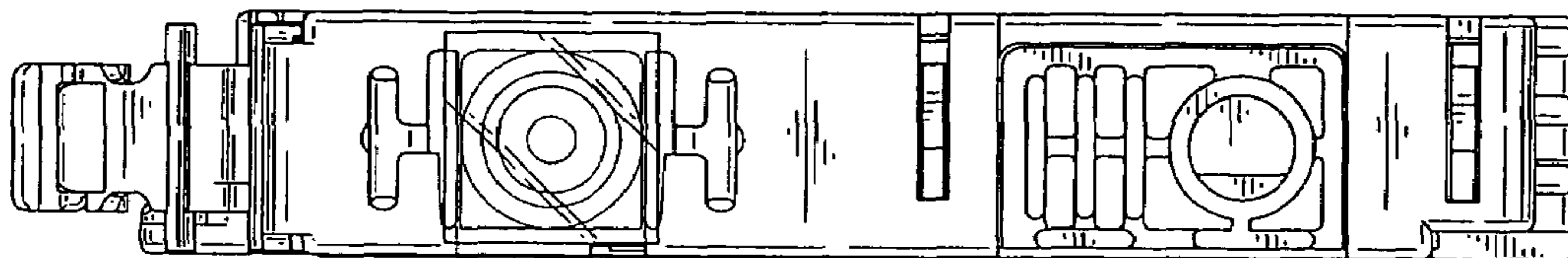


FIG. 8