



US00D563456S

(12) **United States Design Patent**  
**Plummer**

(10) **Patent No.:** **US D563,456 S**  
(45) **Date of Patent:** **\*\* Mar. 4, 2008**

(54) **BOW GUIDE FOR STRINGED INSTRUMENTS**

(75) Inventor: **David Mark Plummer**, Coventry (GB)

(73) Assignee: **Bowzo Limited**, Coventry (GB)

(\*\*) Term: **14 Years**

(21) Appl. No.: **29/251,162**

(22) Filed: **Jan. 4, 2006**

(51) **LOC (8) Cl.** ..... **17-03**

(52) **U.S. Cl.** ..... **D17/20**

(58) **Field of Classification Search** ..... D17/20,  
D17/21, 99; 84/10, 281, 282, 283; 984/122  
See application file for complete search history.

(56) **References Cited**

U.S. PATENT DOCUMENTS

795,493	A *	7/1905	Ditto	.....	446/208
1,427,851	A *	9/1922	Rigg	.....	84/282
1,562,062	A *	11/1925	Schmidt	.....	84/283
1,788,700	A *	1/1931	Battams	.....	84/283
2,820,388	A *	1/1958	Rolland	.....	84/282
3,272,055	A *	9/1966	Henkle	.....	84/283
4,493,238	A *	1/1985	Ricci	.....	84/282
4,686,879	A *	8/1987	Ito et al.	.....	84/440

4,854,212	A *	8/1989	Levin et al.	.....	84/283
D356,593	S *	3/1995	Purcell	.....	D17/20
D360,647	S *	7/1995	Jimenez	.....	D17/20
D475,735	S *	6/2003	Louis	.....	D17/99

\* cited by examiner

*Primary Examiner*—Ian Simmons

*Assistant Examiner*—R. Johnson

(74) *Attorney, Agent, or Firm*—Cherskov & Flaynik

(57) **CLAIM**

The ornamental design for a bow guide for stringed instruments, as shown and described.

**DESCRIPTION**

FIG. 1 is a perspective view of a bow guide for stringed instruments showing my new design;

FIG. 2 is a right side elevational view thereof;

FIG. 3 is a left side elevational view thereof;

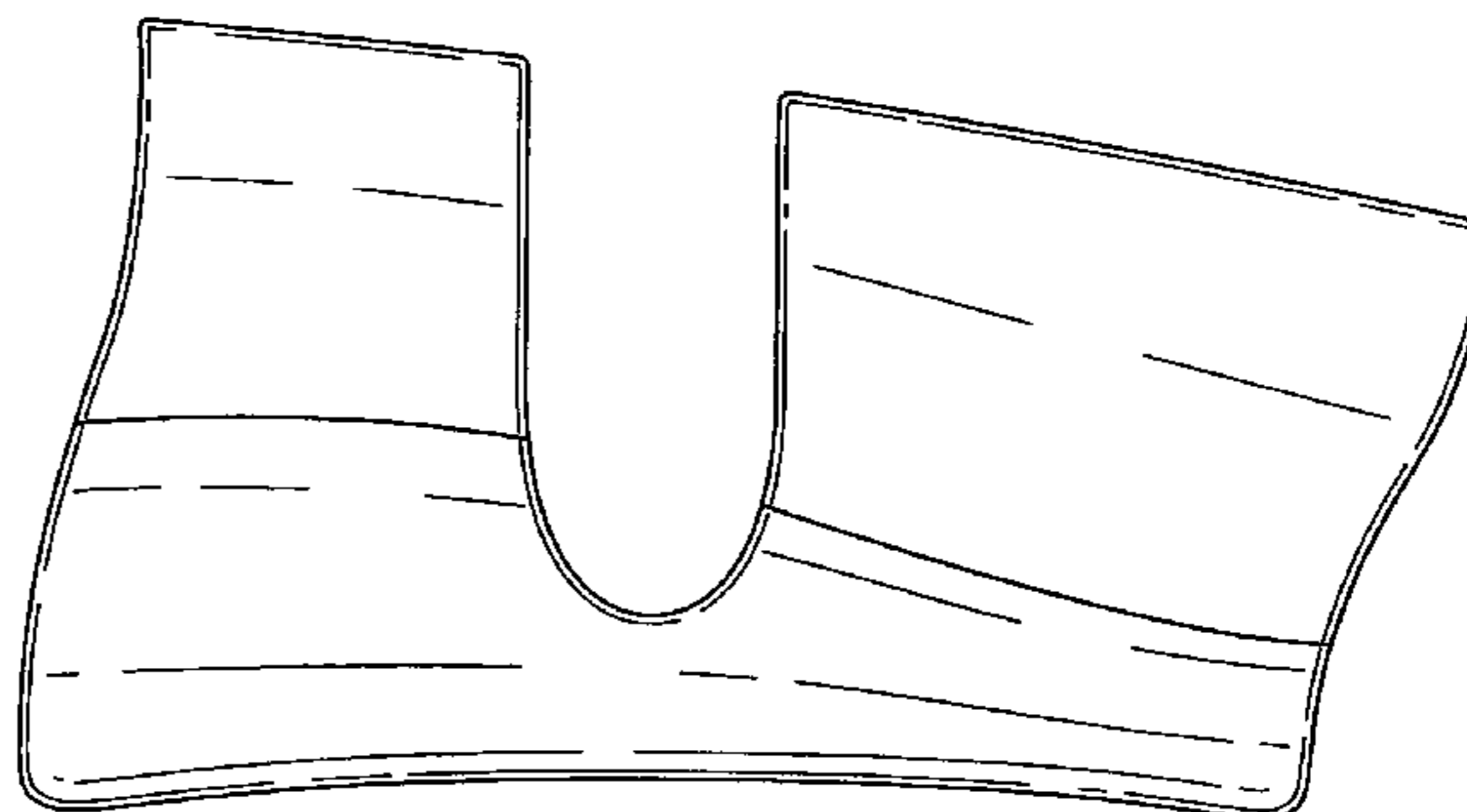
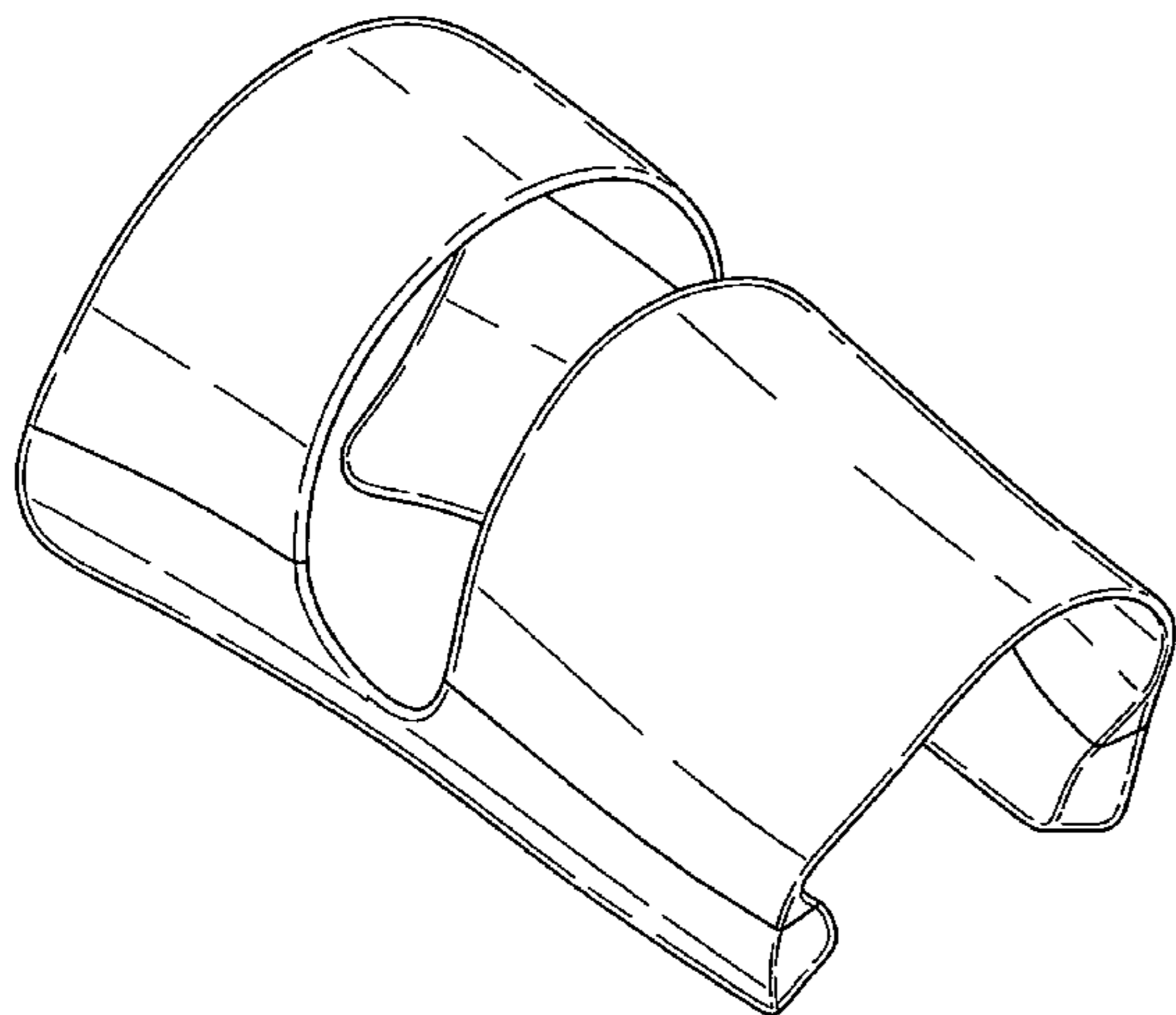
FIG. 4 is a top plan view thereof;

FIG. 5 is a bottom plan view thereof;

FIG. 6 is a front elevational view thereof; and,

FIG. 7 is a rear elevational view thereof.

**1 Claim, 4 Drawing Sheets**



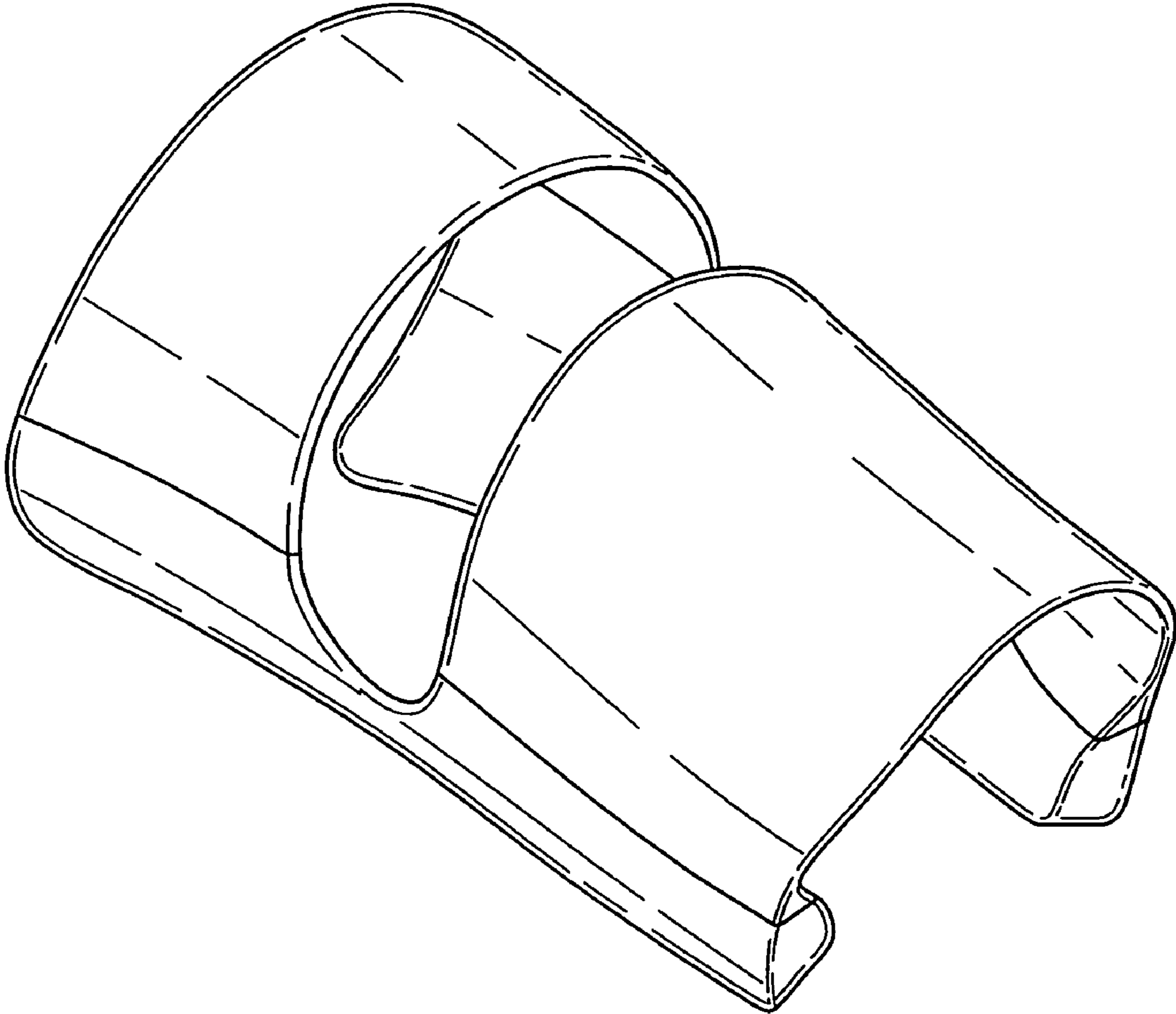


Fig.1.

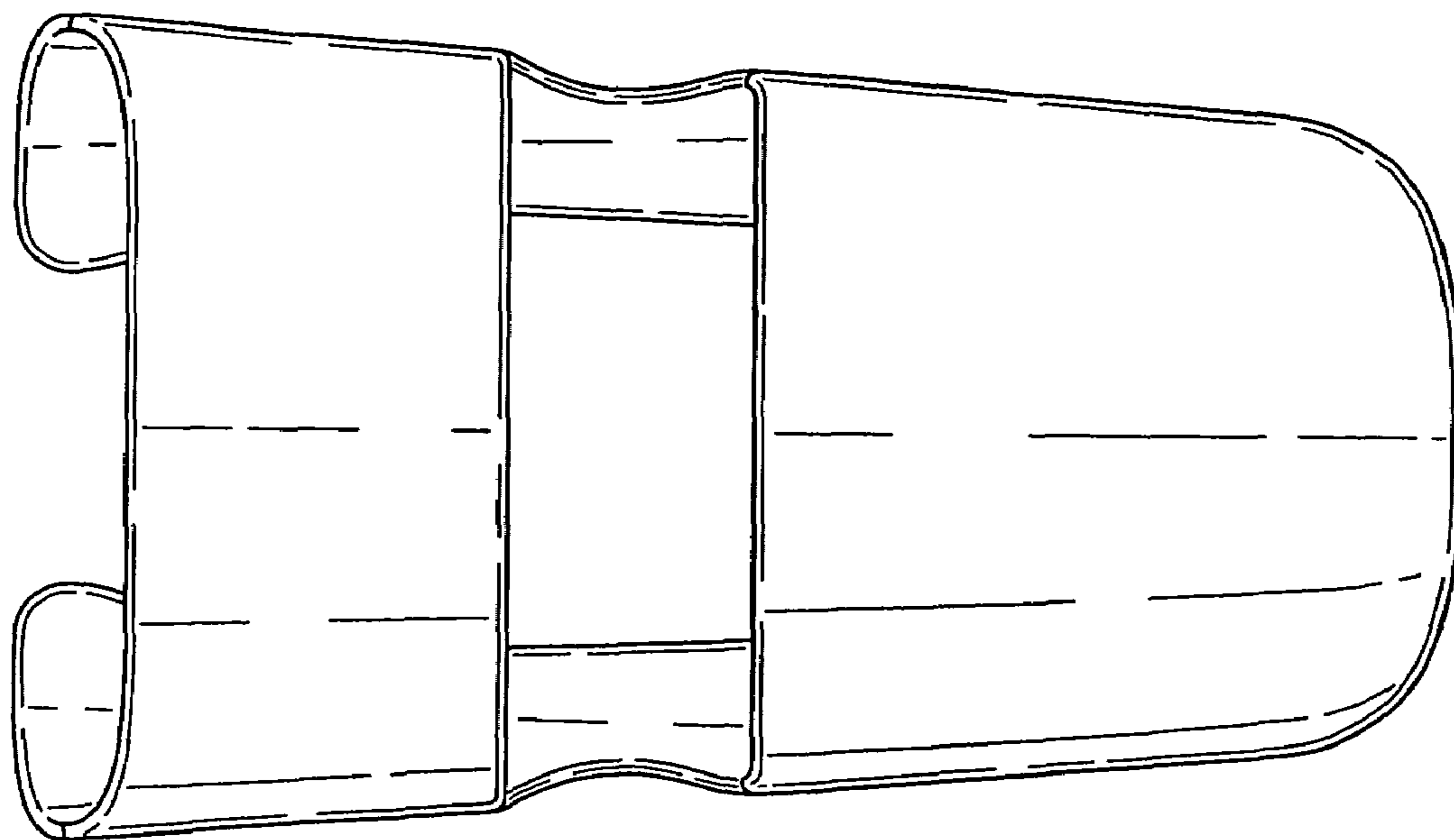


Fig.2.

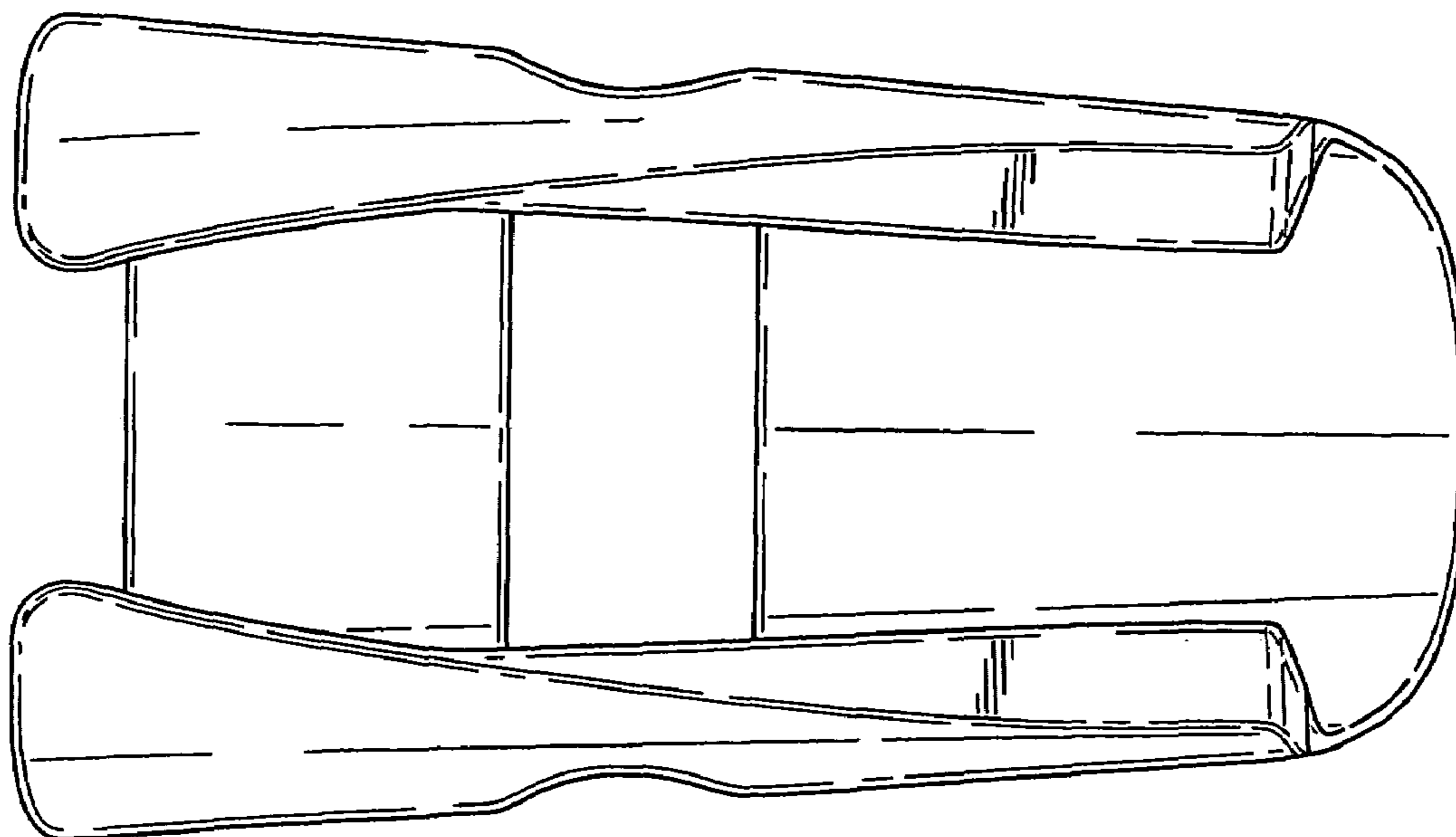


Fig.3.

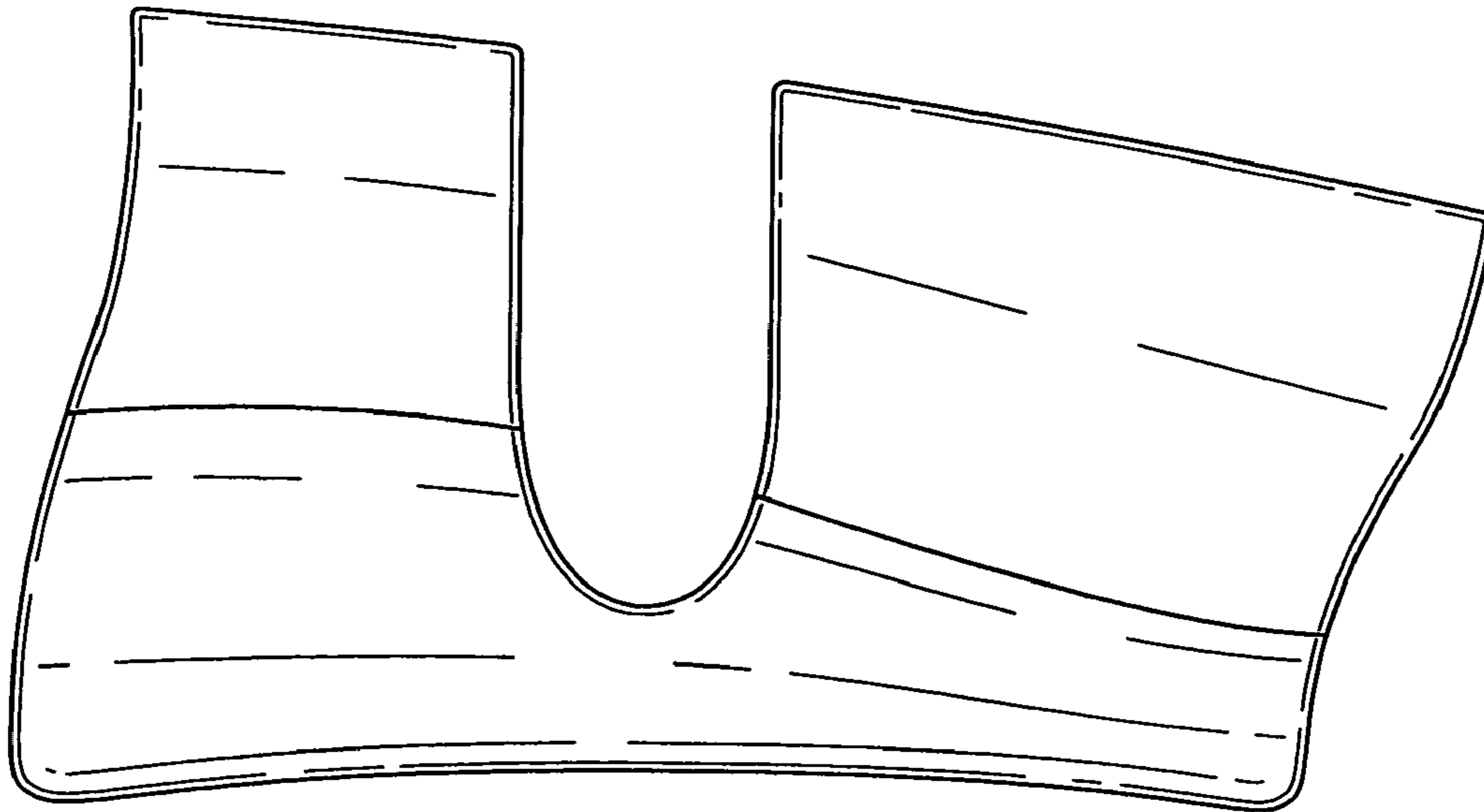


Fig.4.

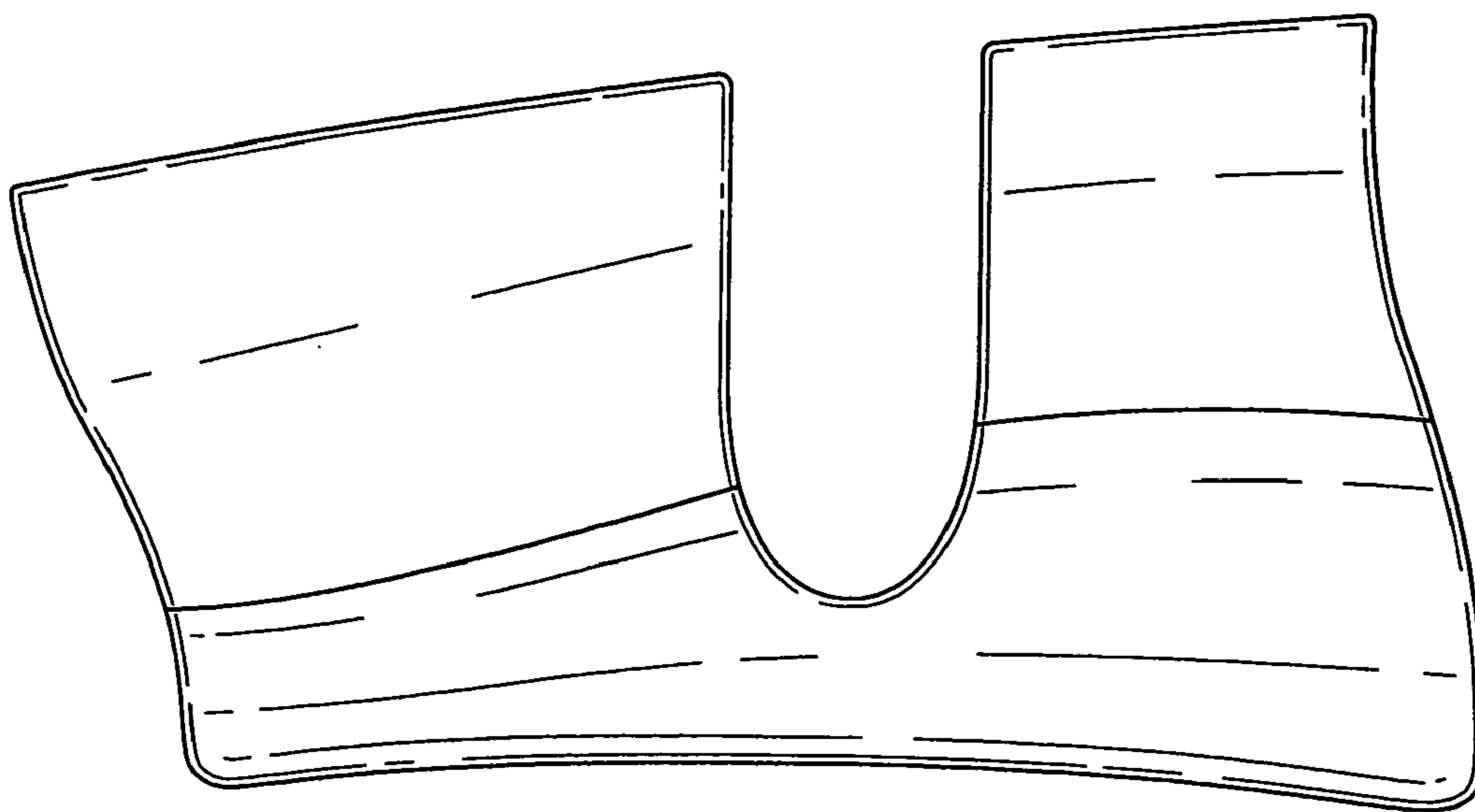


Fig.5.

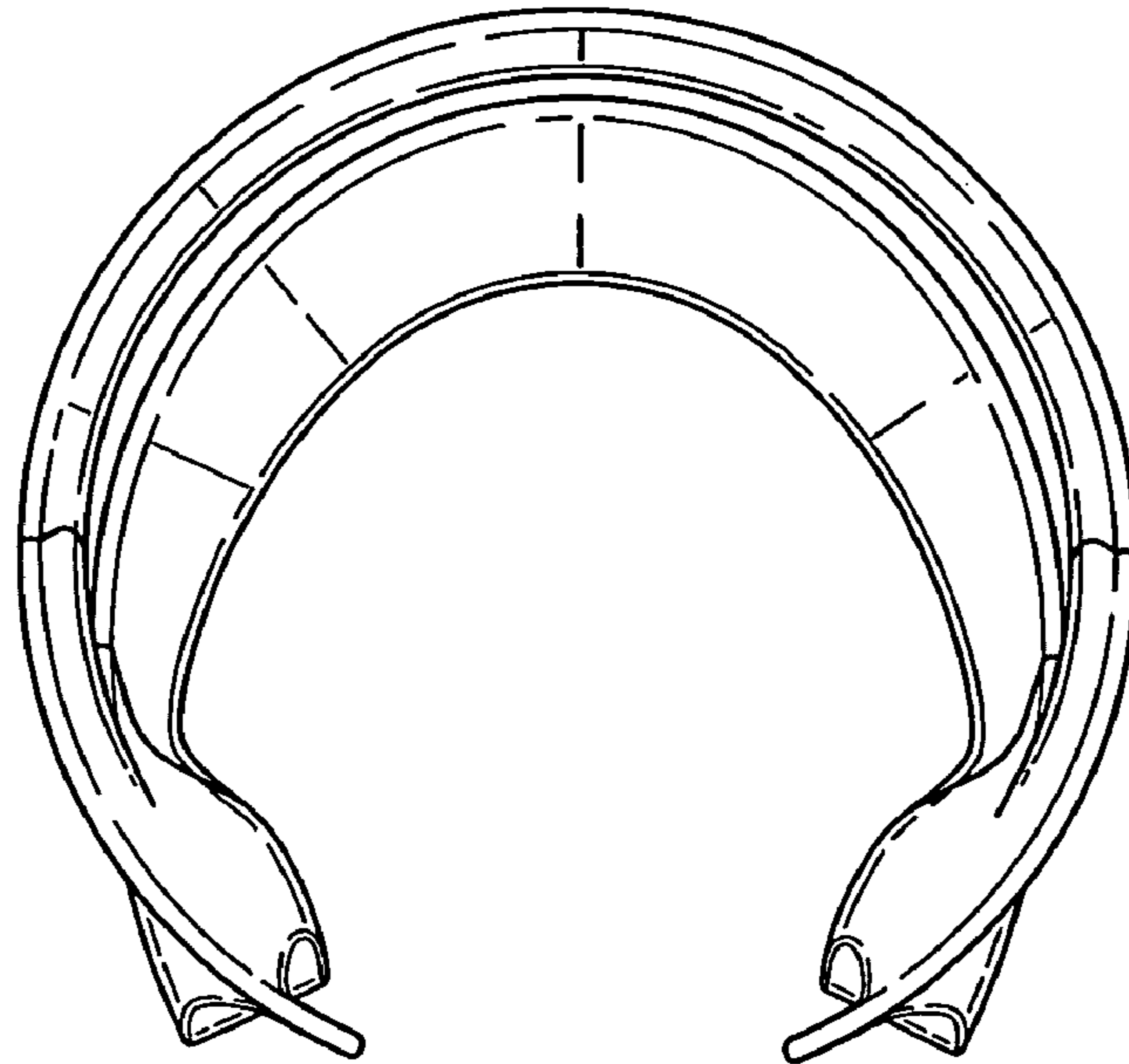


Fig.6.

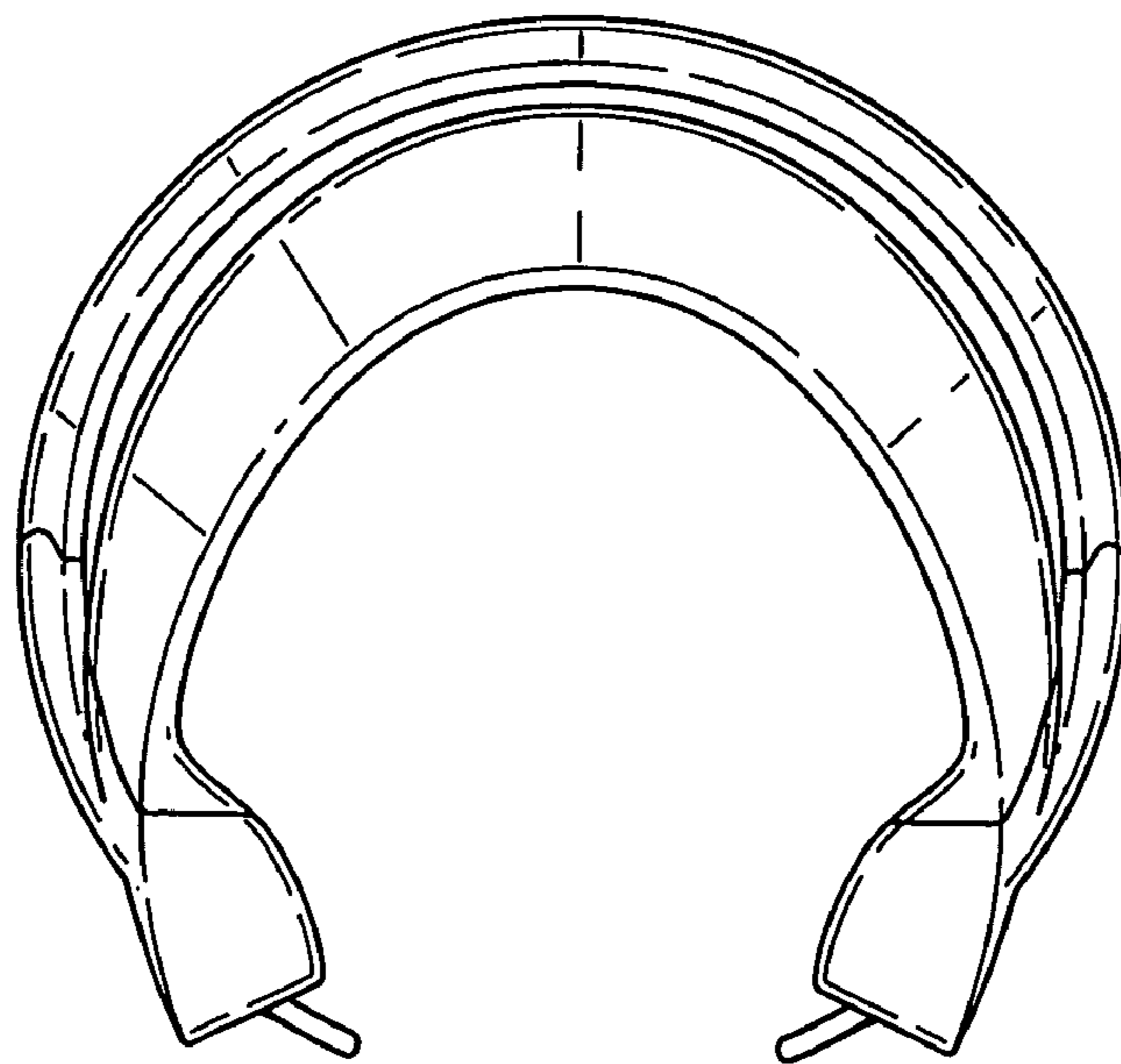


Fig.7.