



US00D563453S

(12) **United States Design Patent**
Serlenga

(10) **Patent No.:** **US D563,453 S**
(45) **Date of Patent:** **** Mar. 4, 2008**

(54) **EYEWEAR**

D508,069 S 8/2005 Fuchs
D508,940 S 8/2005 Fuchs

(75) Inventor: **Sonja Serlenga**, St. Georgen (AT)

OTHER PUBLICATIONS

(73) Assignee: **Silhouette International Schmied AG**,
Linz (AT)

U.S. Appl. No. 29/215,967, filed Oct. 27, 2004; In re: Fuchs; entitled
Eyeglasses.

(**) Term: **14 Years**

* cited by examiner

(21) Appl. No.: **29/250,685**

Primary Examiner—Raphael Barkai
(74) *Attorney, Agent, or Firm*—Alston & Bird LLP

(22) Filed: **Nov. 28, 2006**

(57) **CLAIM**

(30) **Foreign Application Priority Data**

The ornamental design for eyewear, as shown and described.

Jul. 10, 2006 (EM) 000558275

DESCRIPTION

(51) **LOC (8) Cl.** **16-06**

FIG. 1 is a perspective view of eyewear showing my new design;

(52) **U.S. Cl.** **D16/314; D16/321**

FIG. 2 is a top plan view thereof;

(58) **Field of Classification Search** D16/300–330,
D16/101, 332–338; D29/109–110; D24/110.2;
351/41, 44, 51–52, 62, 158, 92, 103–111,
351/156, 61, 114–119, 121–123; 2/426–432,
2/447–449, 441, 436, 434–437

FIG. 3 is a bottom plan view thereof;

FIG. 4 is a left side elevation view thereof;

FIG. 5 is a right side elevation view thereof;

FIG. 6 is a front elevation view thereof; and,

FIG. 7 is a rear elevation view thereof.

See application file for complete search history.

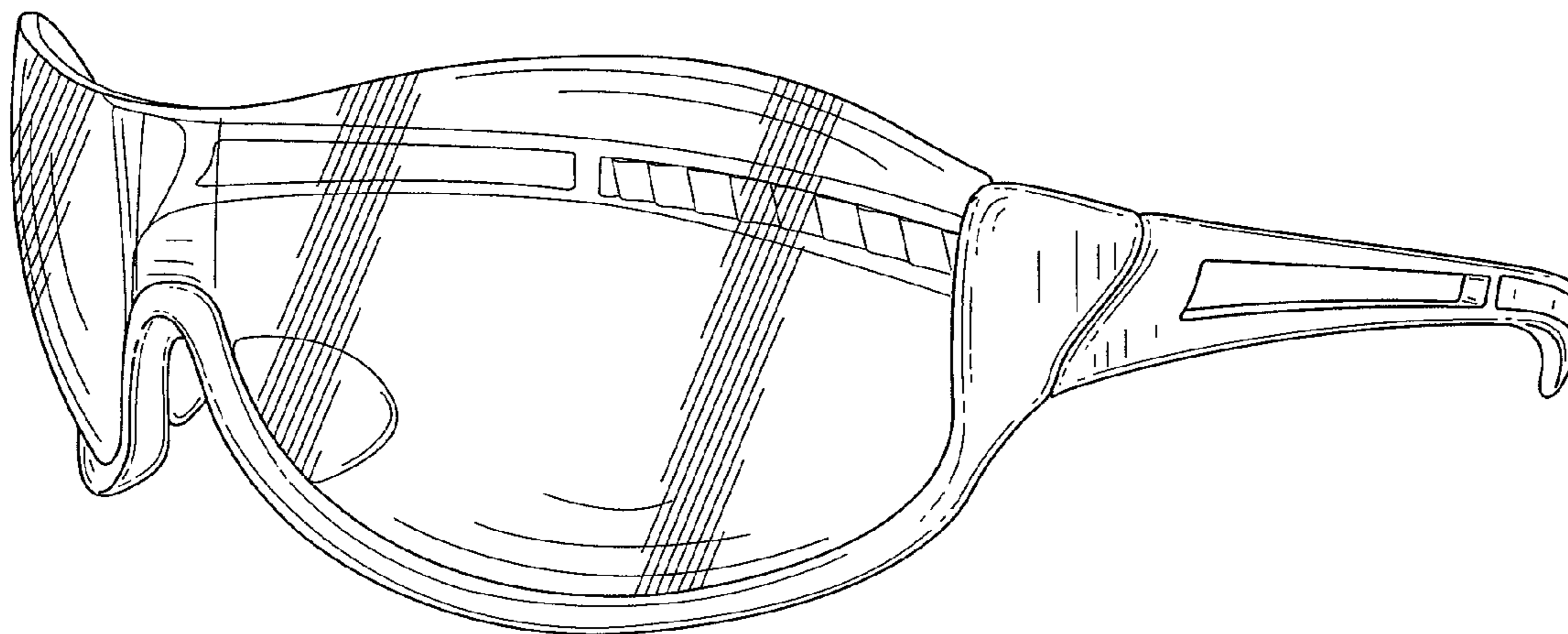
The lens of the eyewear of my new design may be trans-
parent, translucent, opaque, or reflective.

(56) **References Cited**

U.S. PATENT DOCUMENTS

2,534,748 A * 12/1950 Willson 2/442
D275,574 S * 9/1984 Feinbloom D16/315
D408,432 S * 4/1999 Jumara D16/306

1 Claim, 6 Drawing Sheets



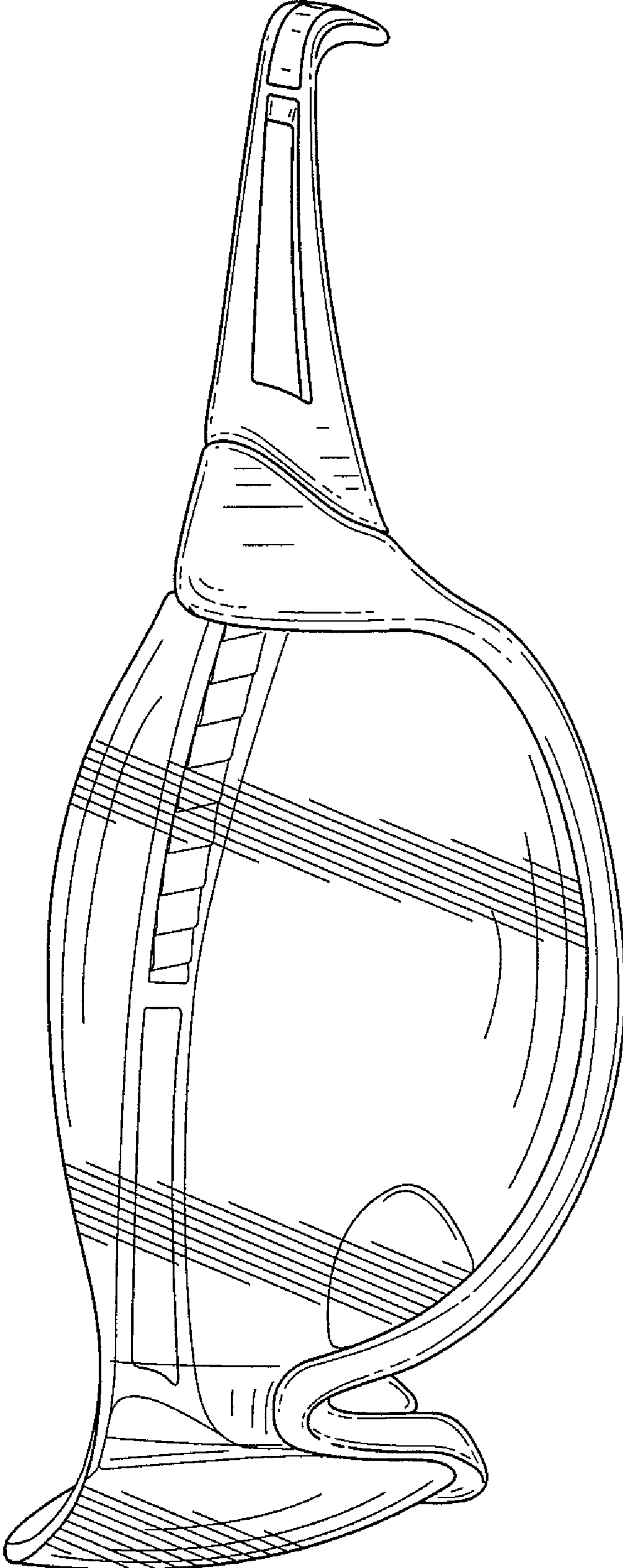


FIG. 1

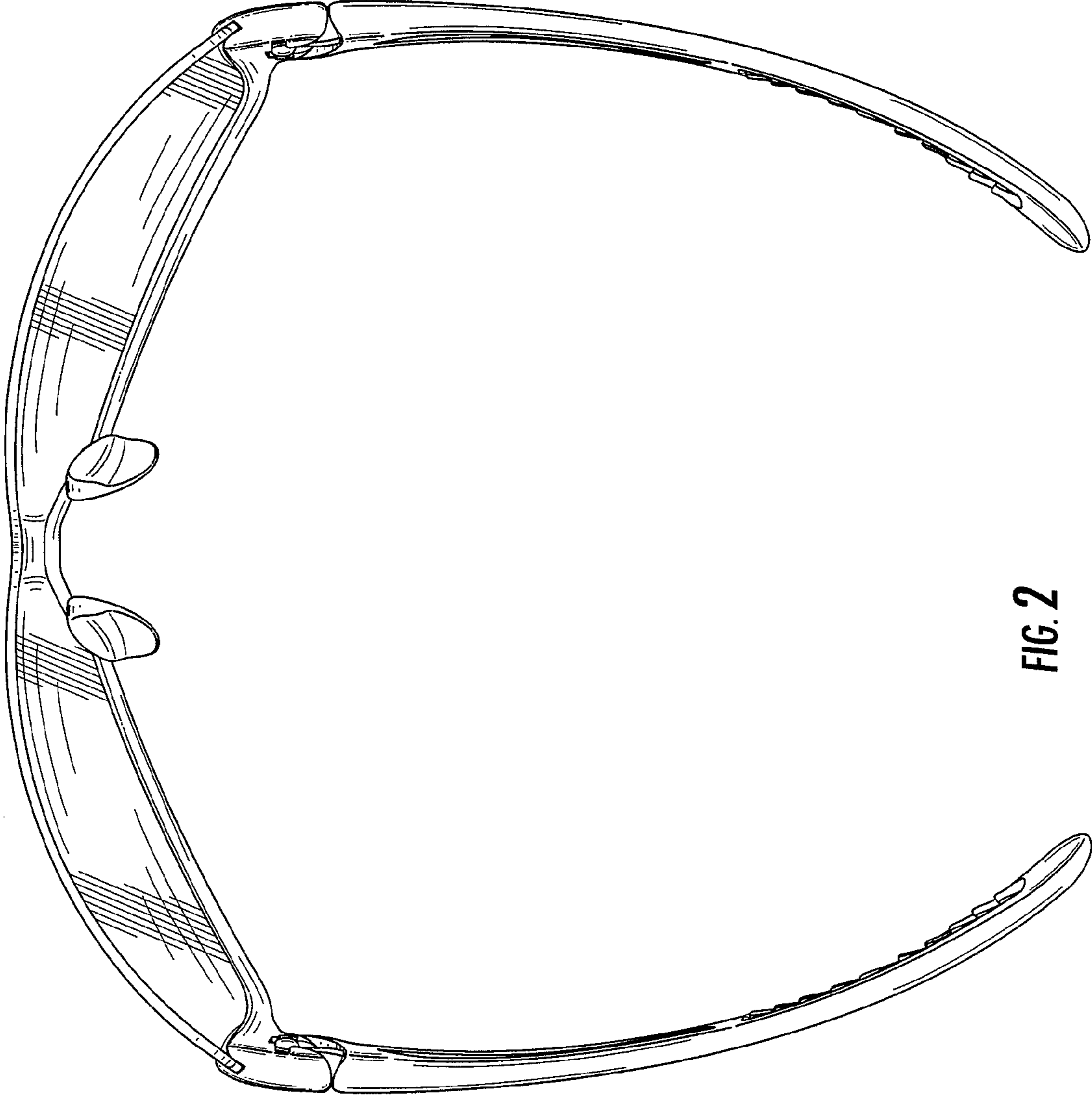


FIG. 2

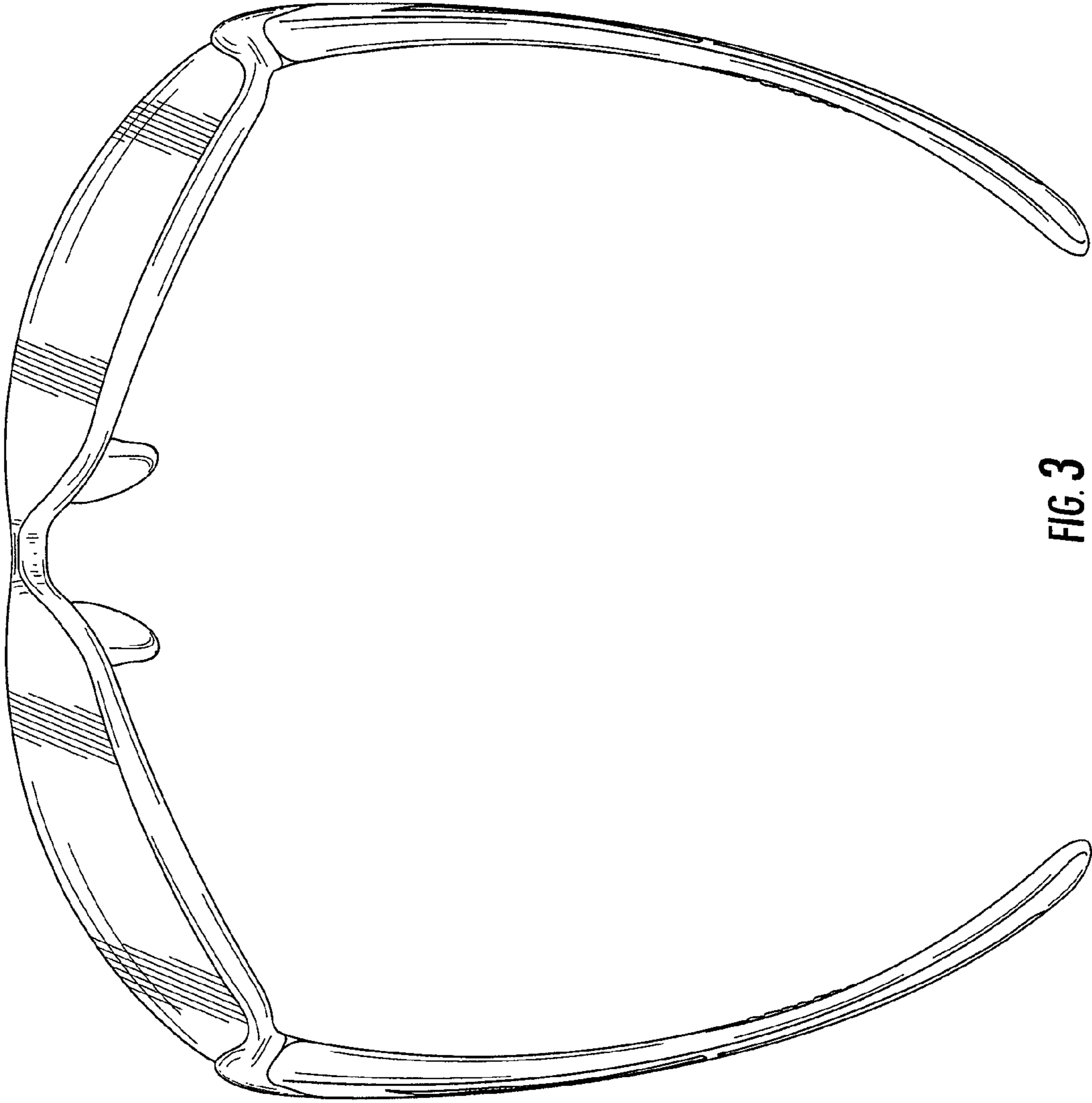


FIG. 3

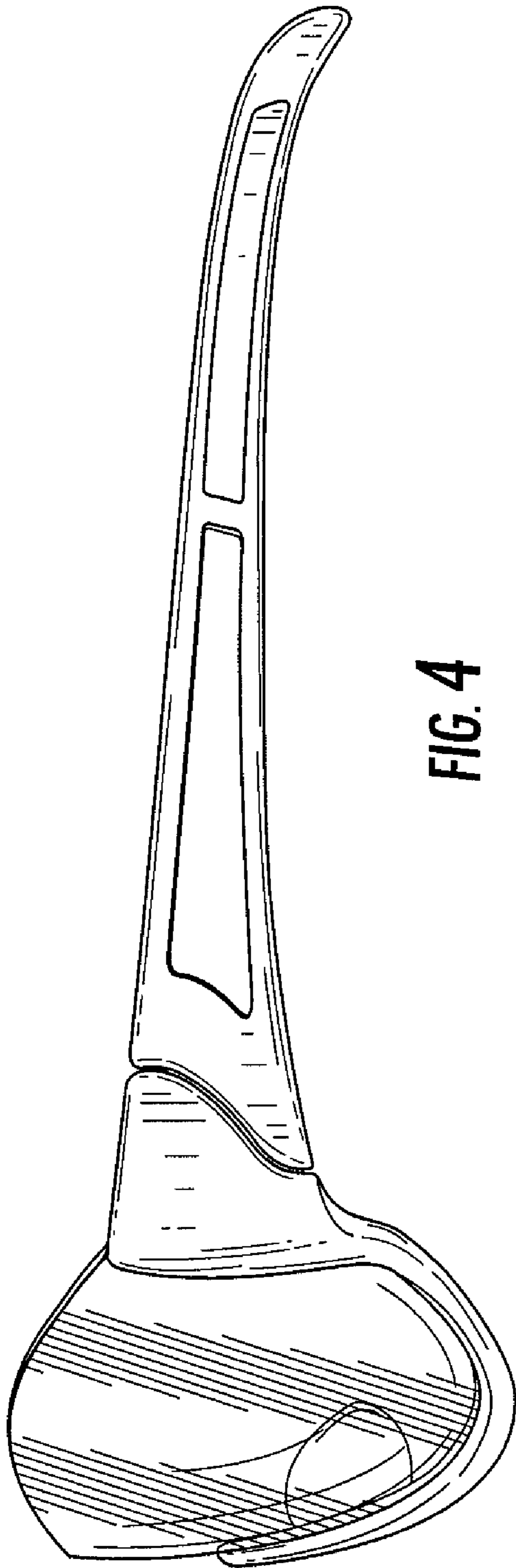


FIG. 4

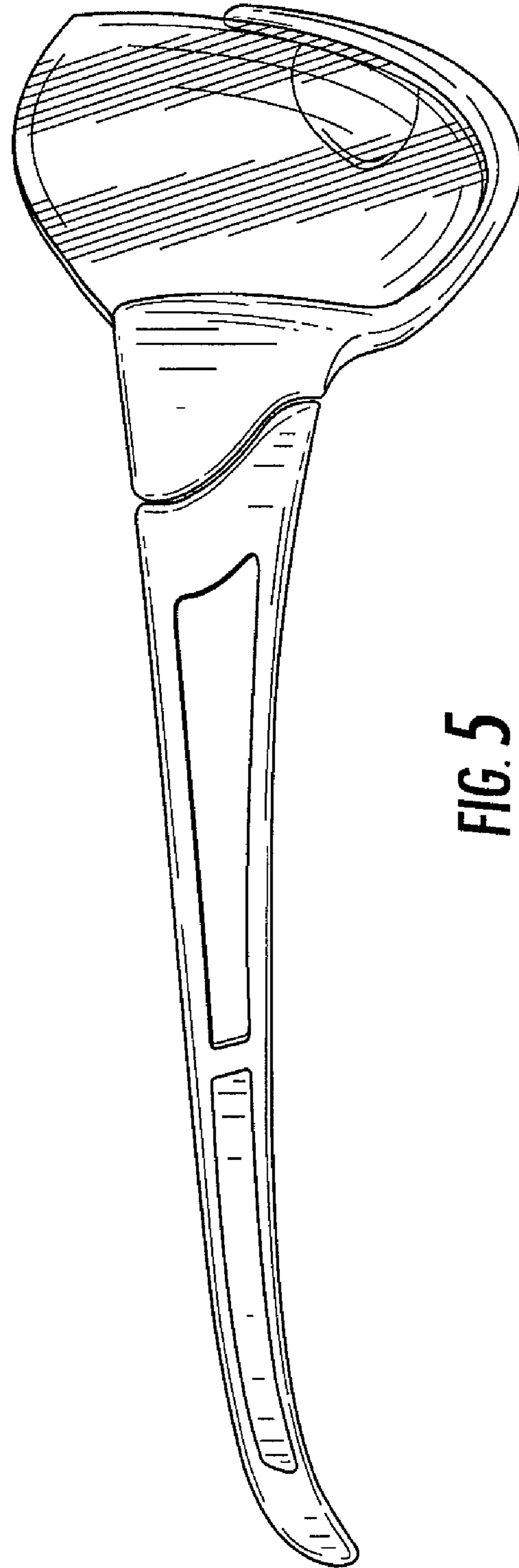


FIG. 5

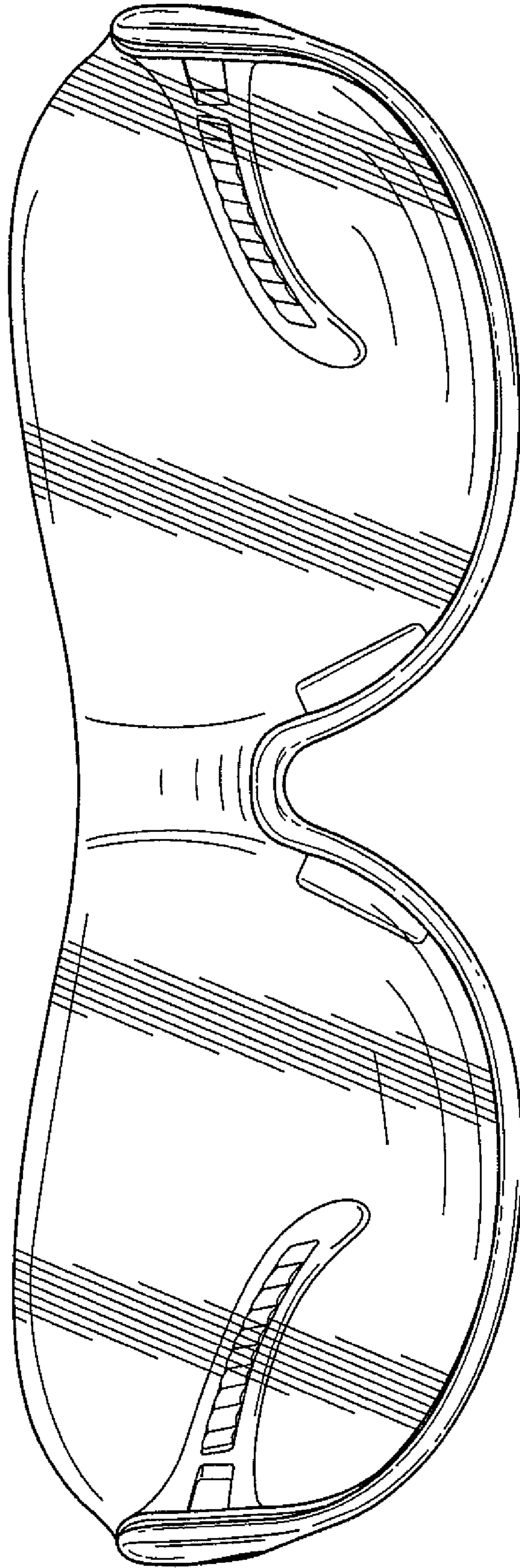


FIG. 6

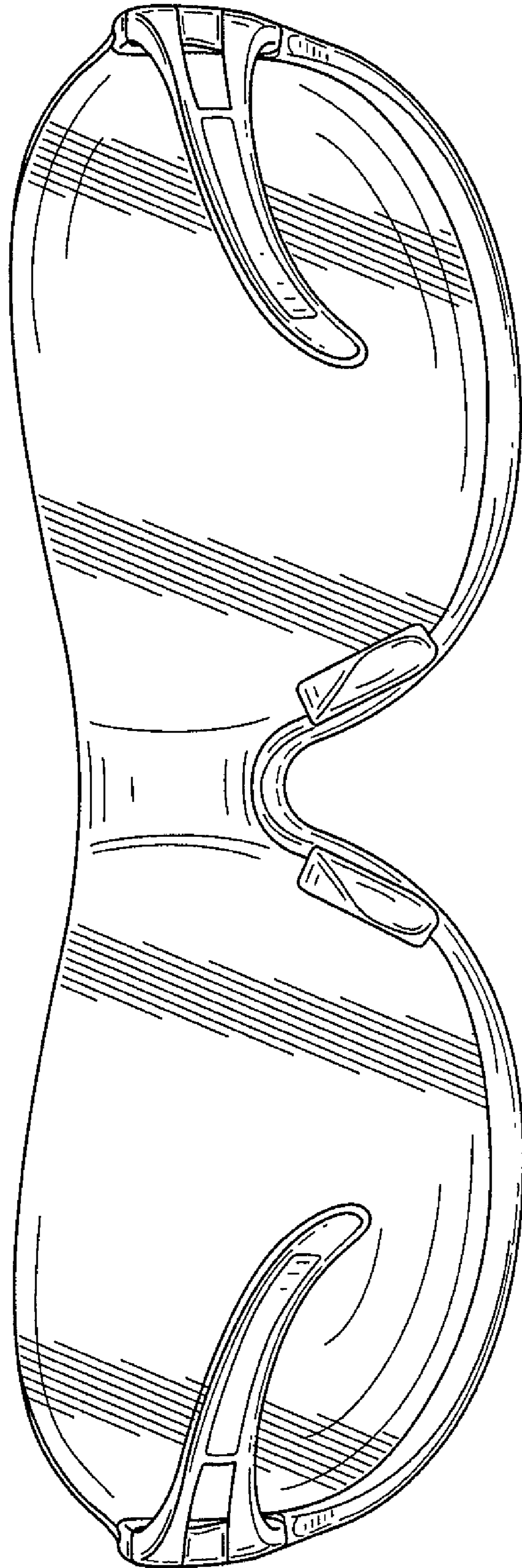


FIG. 7