



US00D563452S

(12) **United States Design Patent**  
**Tan et al.**

(10) **Patent No.:** **US D563,452 S**  
(45) **Date of Patent:** **\*\* Mar. 4, 2008**

(54) **CAMERA CLIP**

D540,358 S \* 4/2007 Orbach ..... D16/202

(75) Inventors: **Jeng Khim Tan**, Singapore (SG); **Boon Keat Eddy Toh**, Singapore (SG)

OTHER PUBLICATIONS

AMAZON.COM web site featuring Logitech 961400-0403 Quickcam for Notebooks Delux for sale, Date first available for sale on Amazon: Apr. 14, 2006, 2 pages.

(73) Assignee: **Creative Technology Ltd**, Singapore (SG)

\* cited by examiner

(\*\*) Term: **14 Years**

*Primary Examiner*—Ian Simmons  
*Assistant Examiner*—Wan Laymon

(21) Appl. No.: **29/266,290**

(74) *Attorney, Agent, or Firm*—Kennedy Koblin

(22) Filed: **Sep. 18, 2006**

(57) **CLAIM**

(51) **LOC (8) Cl.** ..... **16-05**

The ornamental design for a camera clip, substantially as shown and described.

(52) **U.S. Cl.** ..... **D16/237**

(58) **Field of Classification Search** ..... D3/215,  
D3/219, 249, 263–267; D16/200–205, 208,  
D16/219, 242, 245; 248/166–171, 121, 126,  
248/918; 396/428, 419, 535–541, 427; 348/373–376;  
358/909.1; 224/666–669; D8/394–395  
See application file for complete search history.

**DESCRIPTION**

FIG. 1 is a top and right perspective view of a camera clip in accordance with the present design;

(56) **References Cited**

U.S. PATENT DOCUMENTS

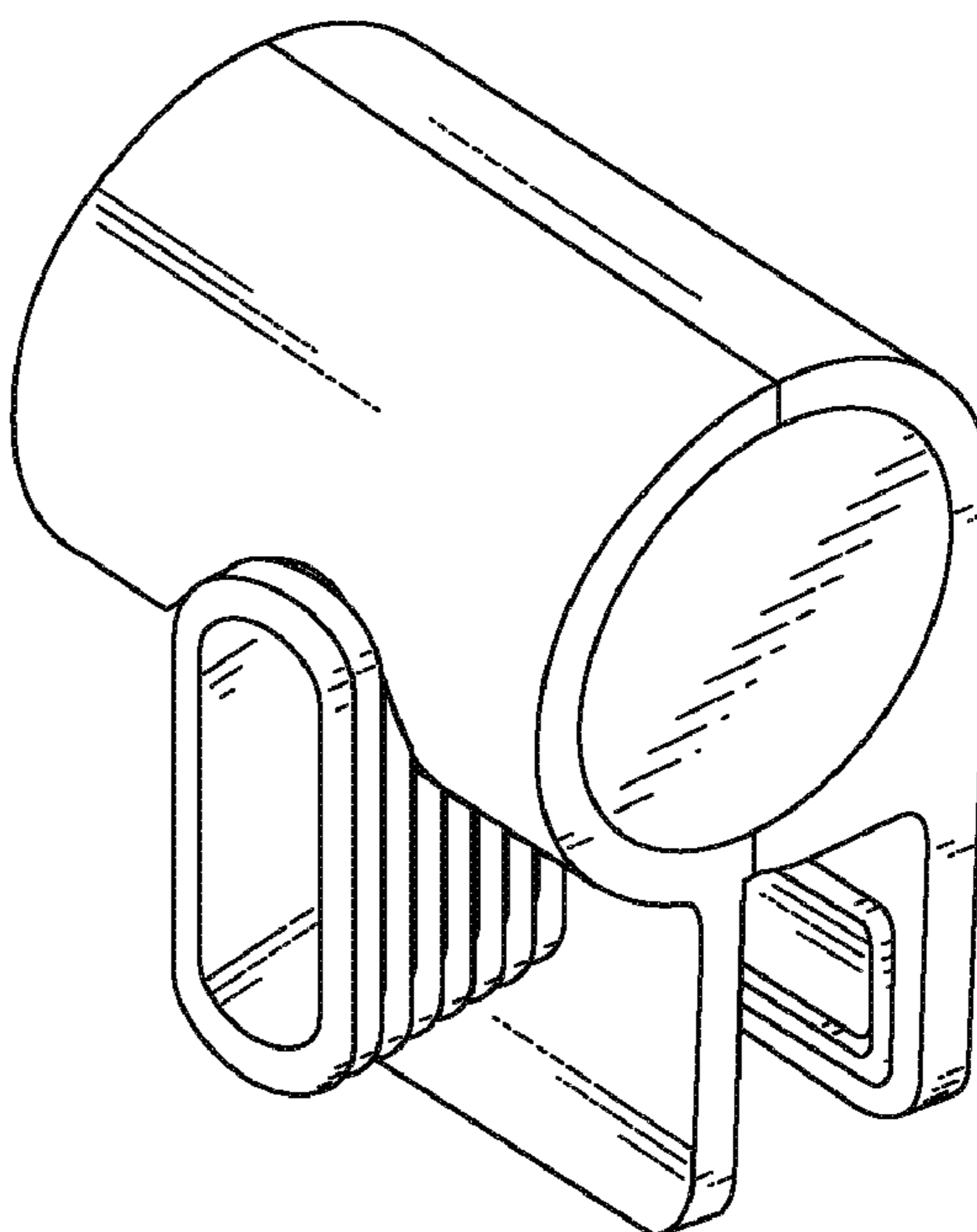
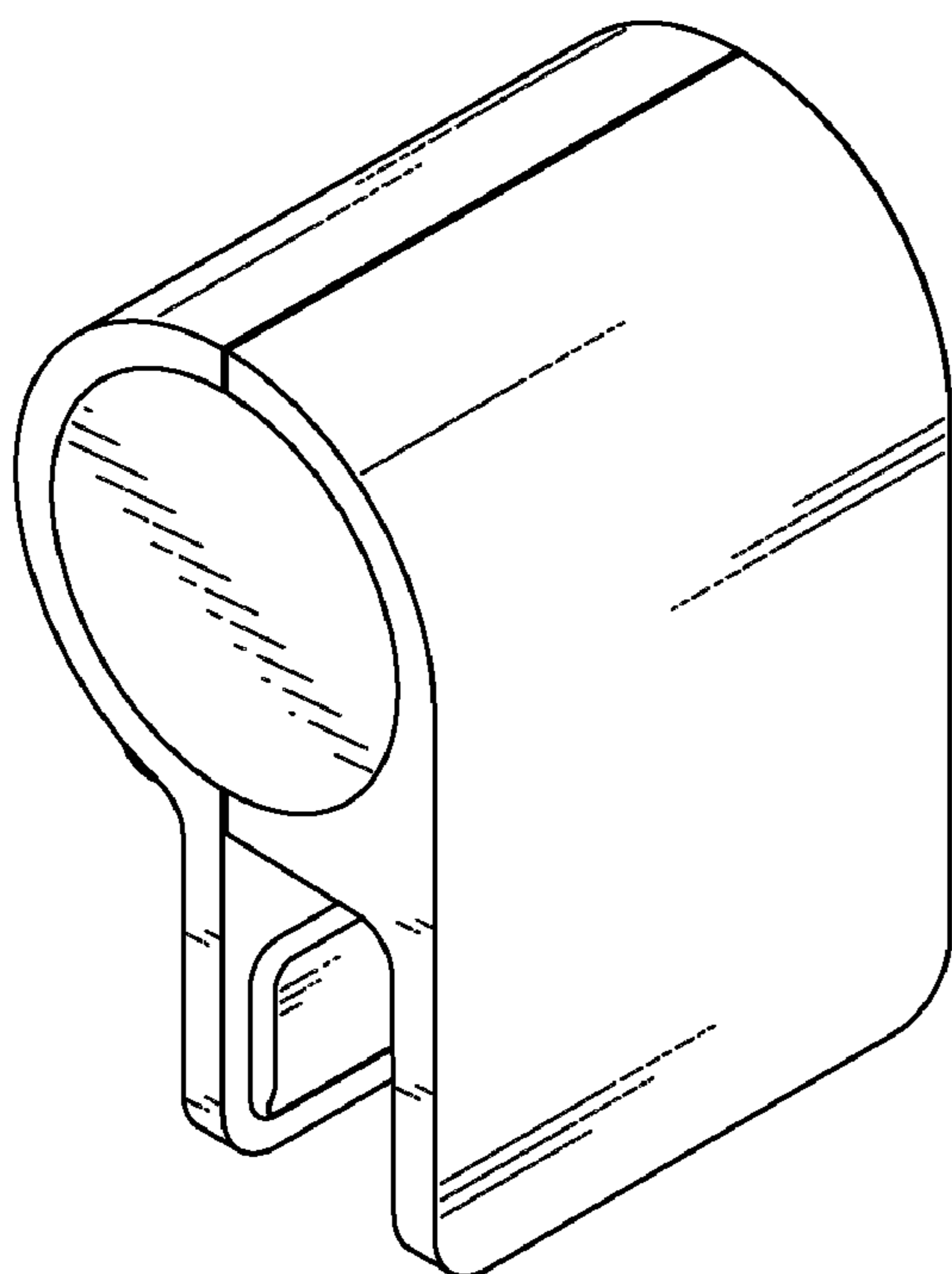
- D236,916 S \* 9/1975 Wolfe ..... D16/219
- D306,870 S \* 3/1990 Overstreet ..... D16/219
- 5,855,343 A \* 1/1999 Krekelberg ..... 248/121
- 6,239,841 B1 \* 5/2001 Verstockt et al. .... 348/373
- 6,462,781 B1 \* 10/2002 Arnold ..... 348/373
- 6,481,681 B1 \* 11/2002 Stunkel et al. .... 248/918
- 6,711,006 B2 \* 3/2004 Chen ..... 248/231.31
- D525,116 S \* 7/2006 Shyu et al. .... D16/242
- D534,939 S \* 1/2007 Sheehan et al. .... D16/208

FIG. 2 is a front view of the camera clip shown in FIG. 1;  
FIG. 3 is a rear view of the camera clip shown in FIG. 1;  
FIG. 4 is a top view of the camera clip shown in FIG. 1;  
FIG. 5 is a bottom view of the camera clip shown in FIG. 1;  
FIG. 6 is a left side view of the camera clip shown in FIG. 1;

FIG. 7 is a right side view of the camera clip shown in FIG. 1; and,

FIG. 8 is a top and left perspective view of the camera clip shown in FIG. 1.

**1 Claim, 4 Drawing Sheets**



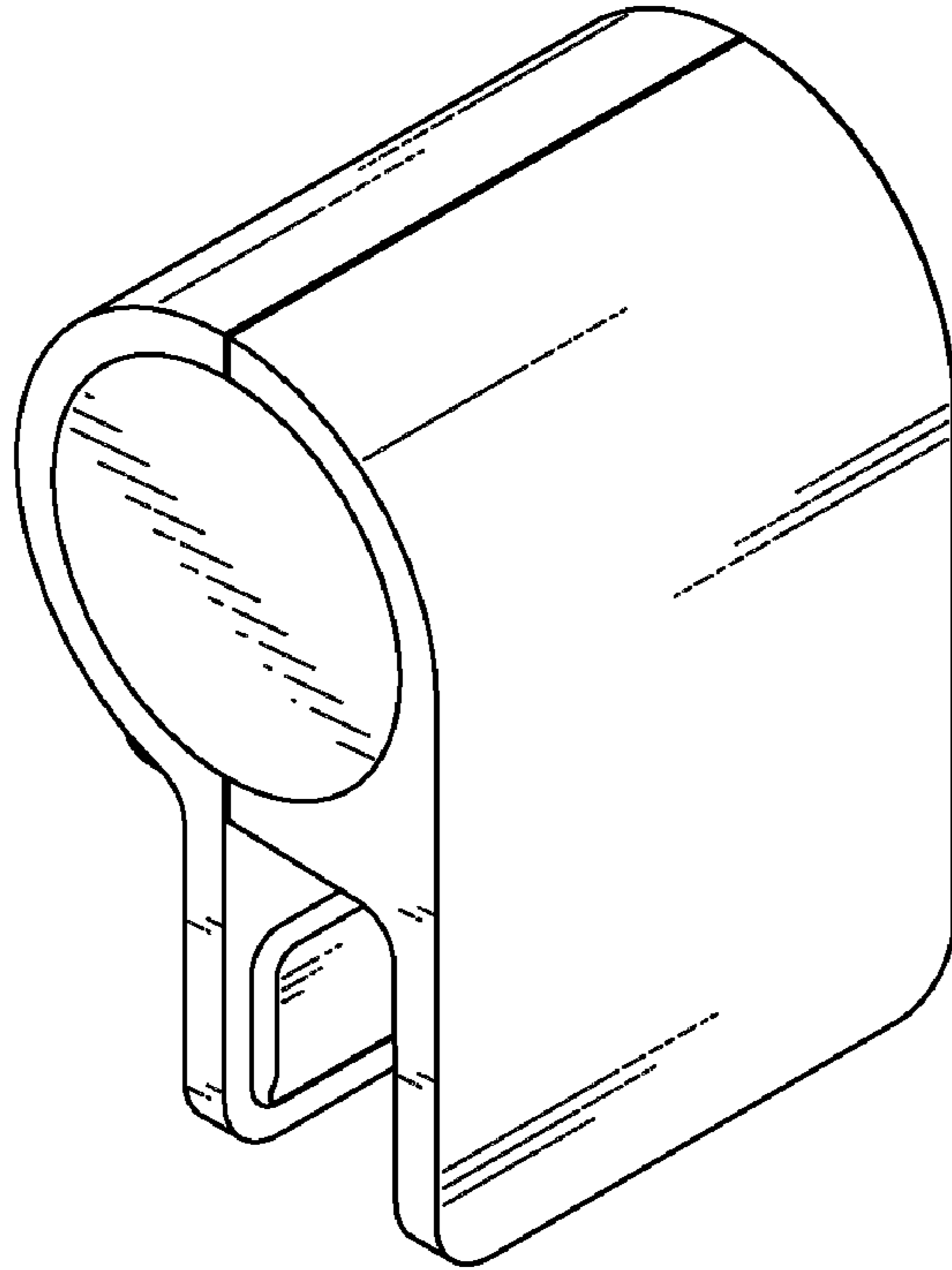


FIG. 1

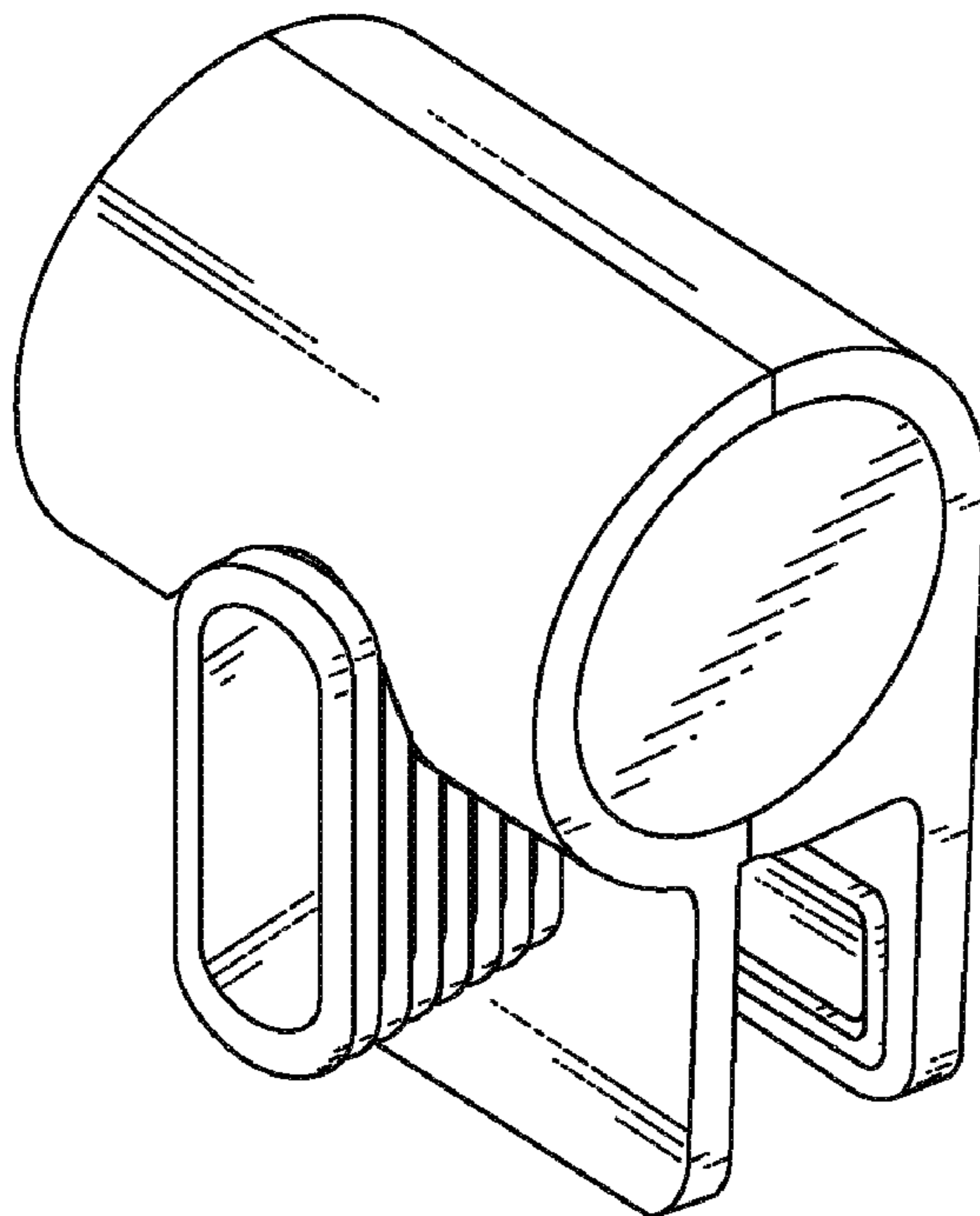


FIG. 8

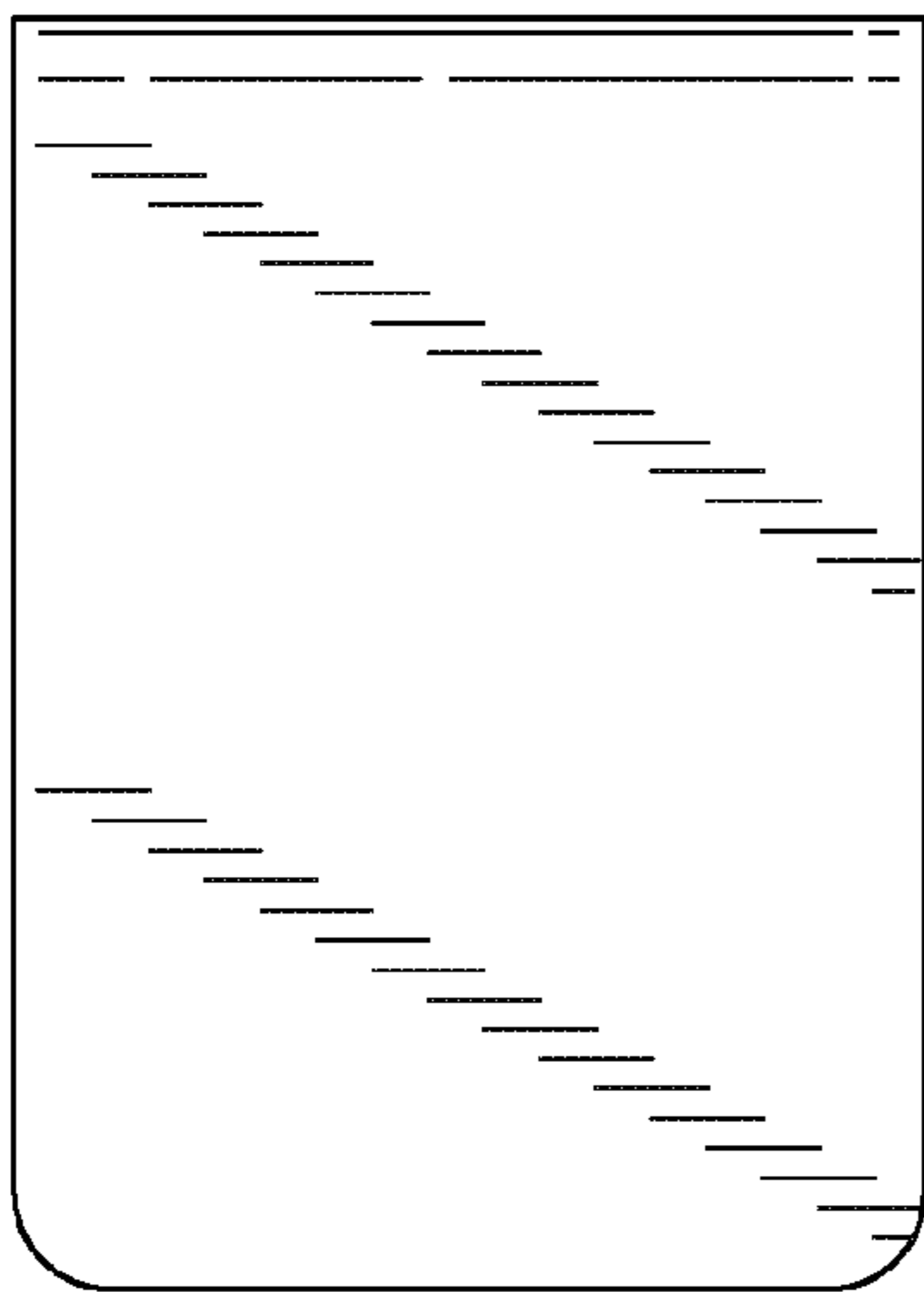


FIG. 2

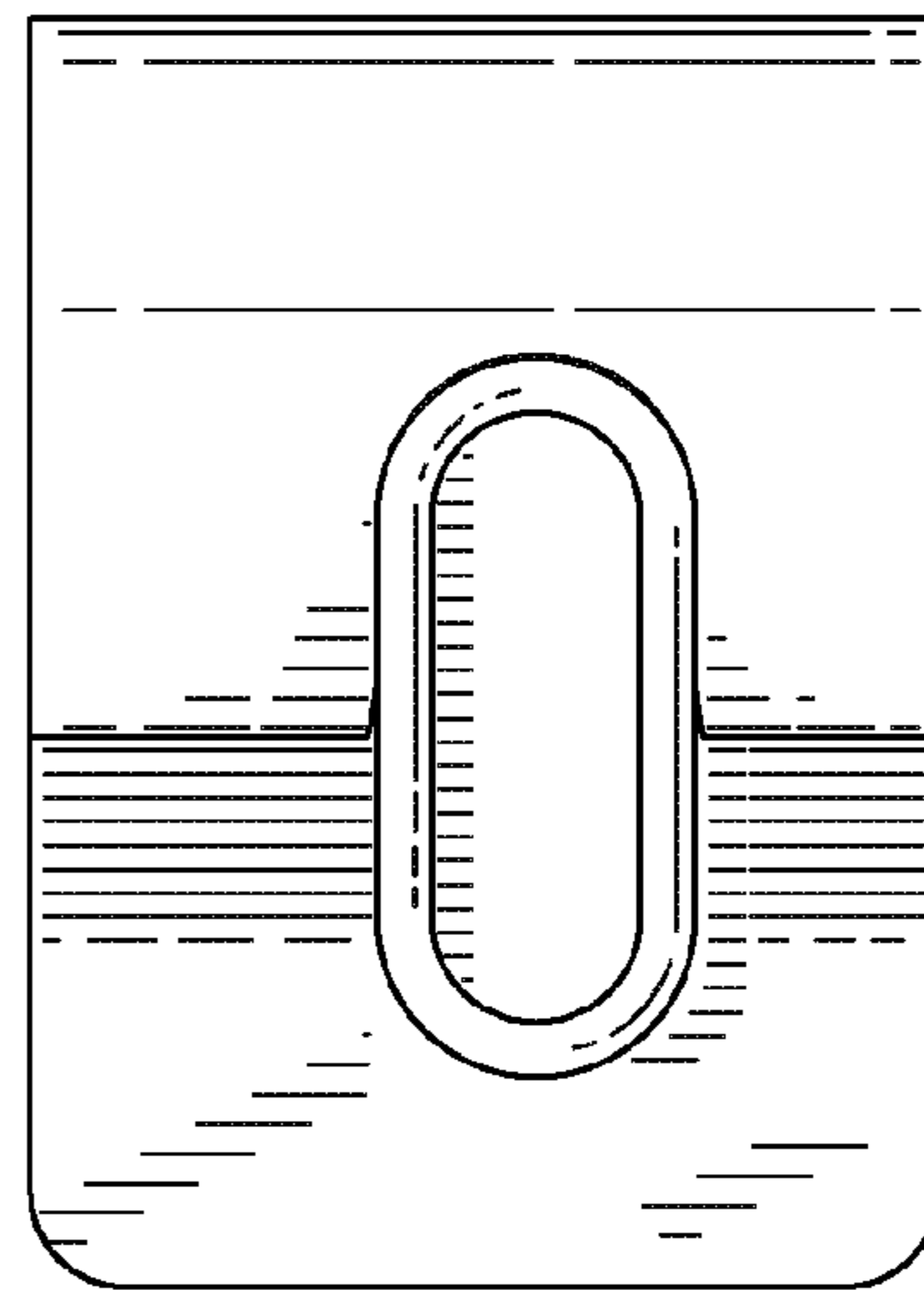


FIG. 3

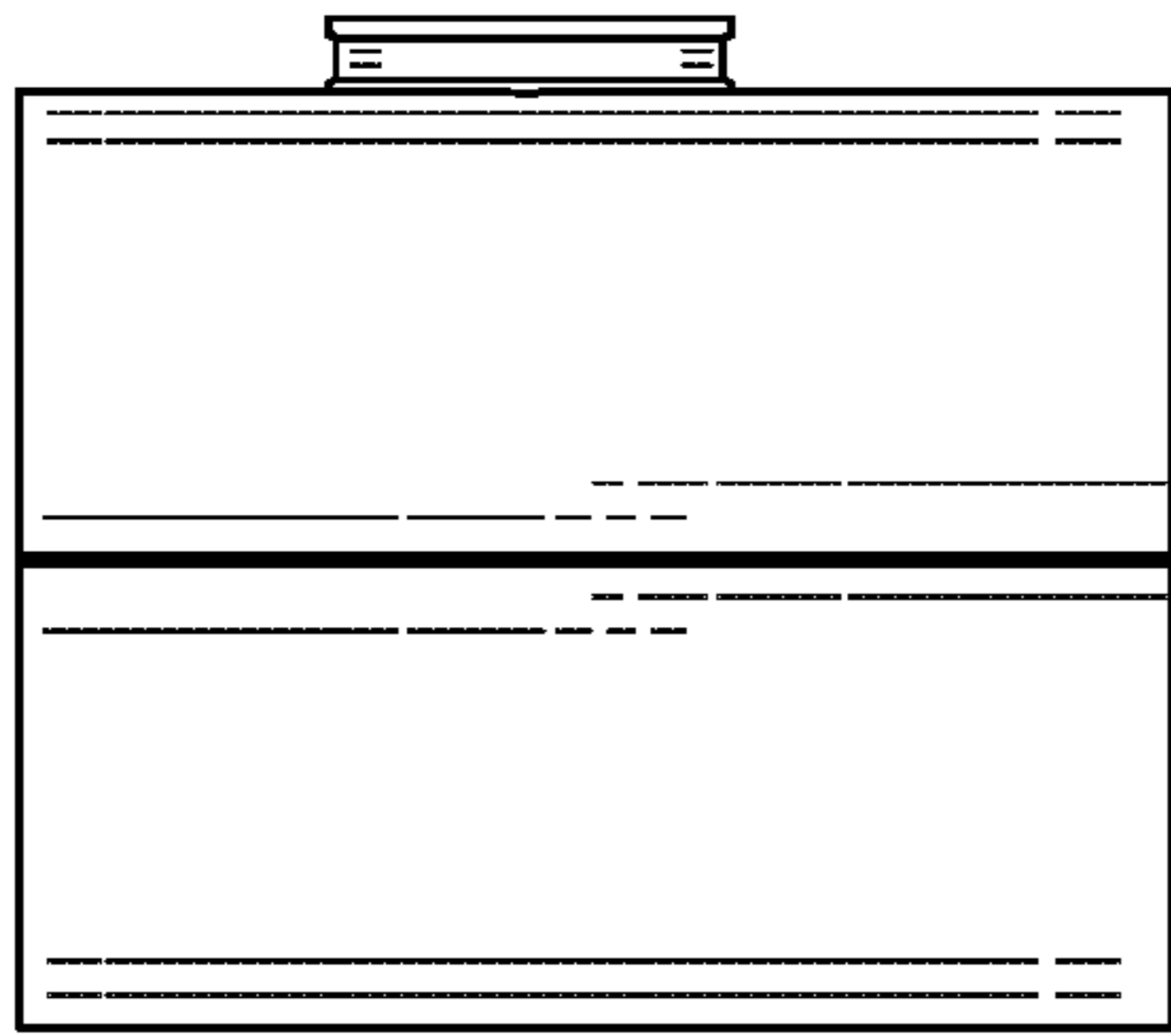


FIG. 4

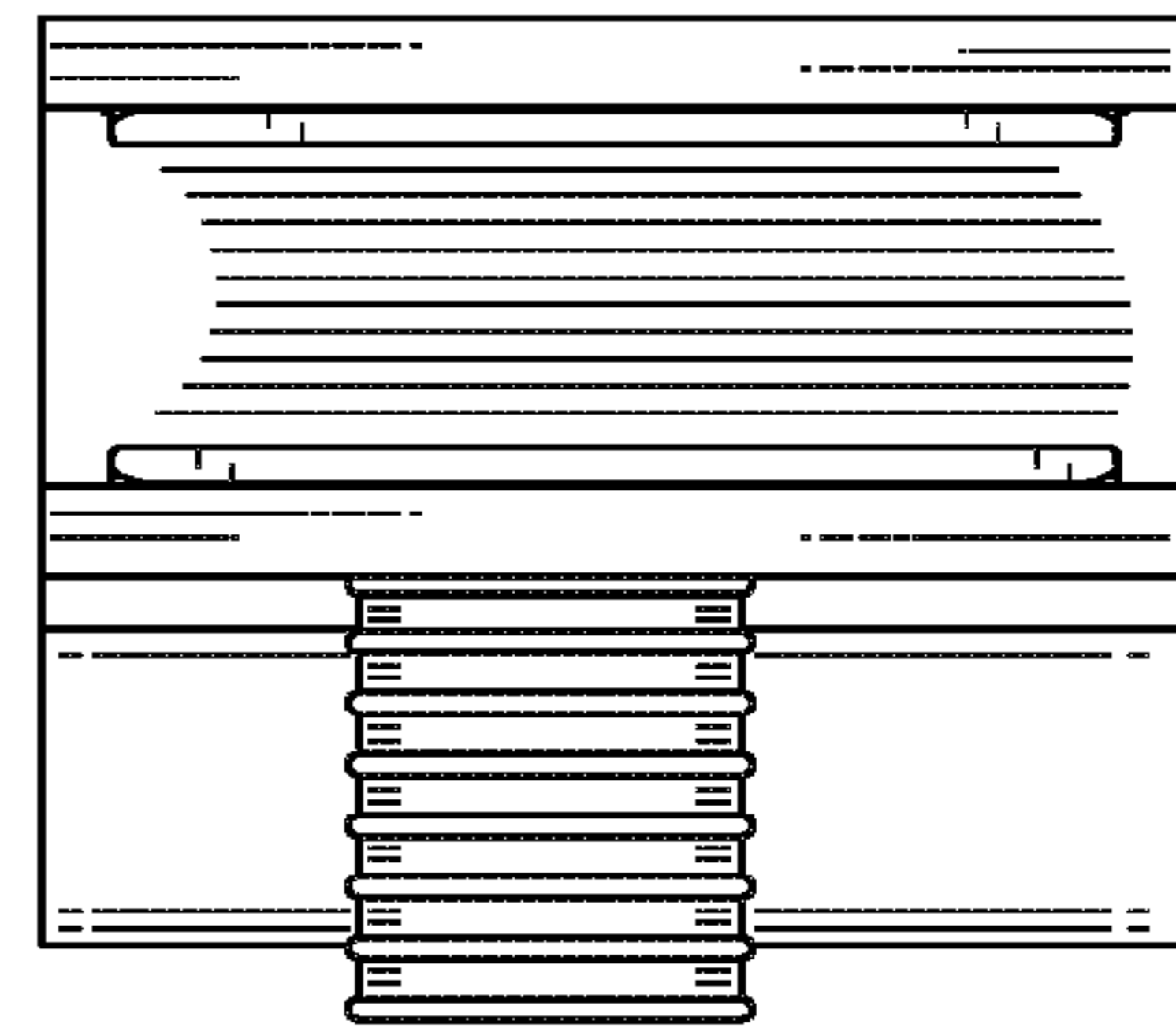


FIG. 5

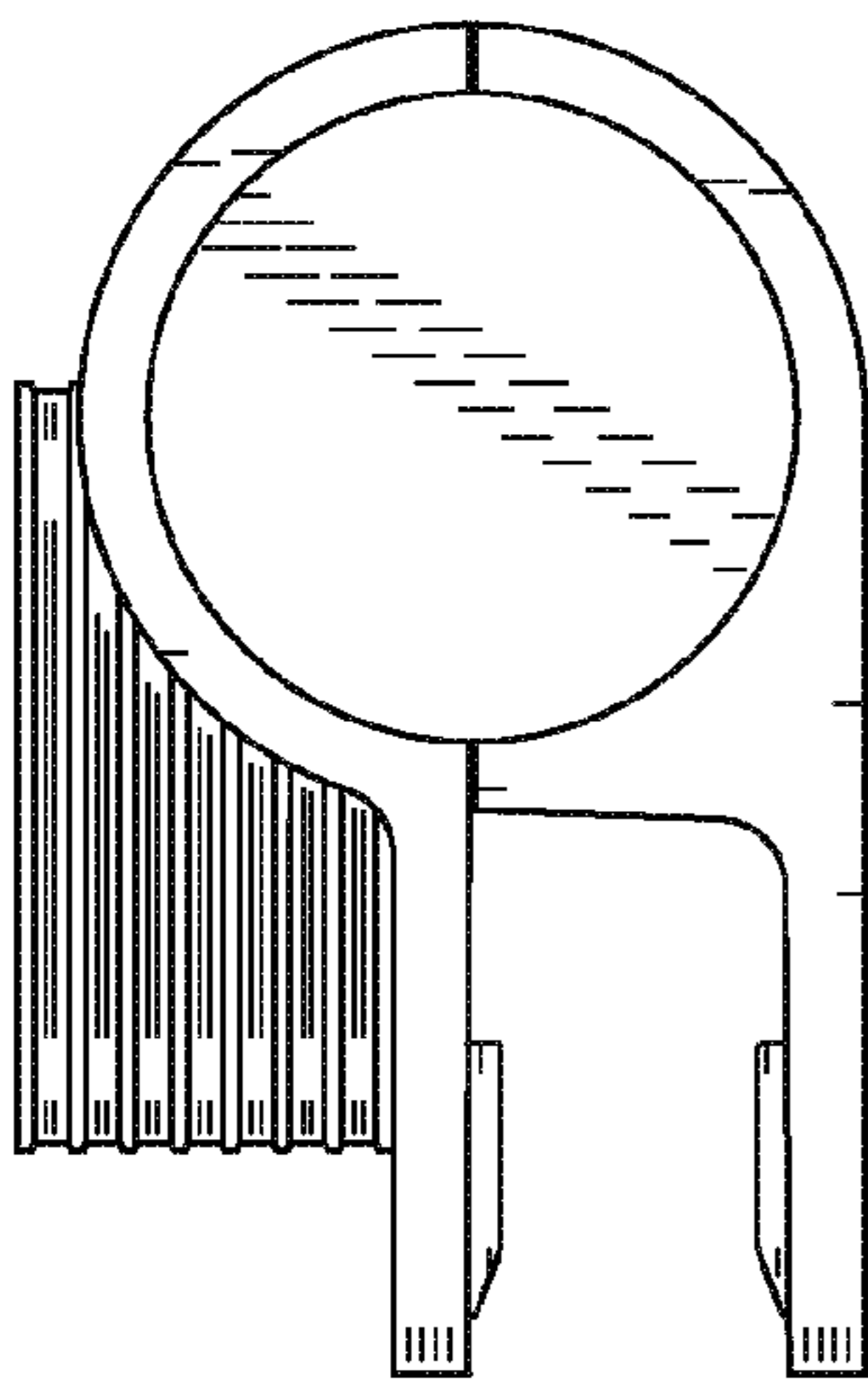


FIG. 6

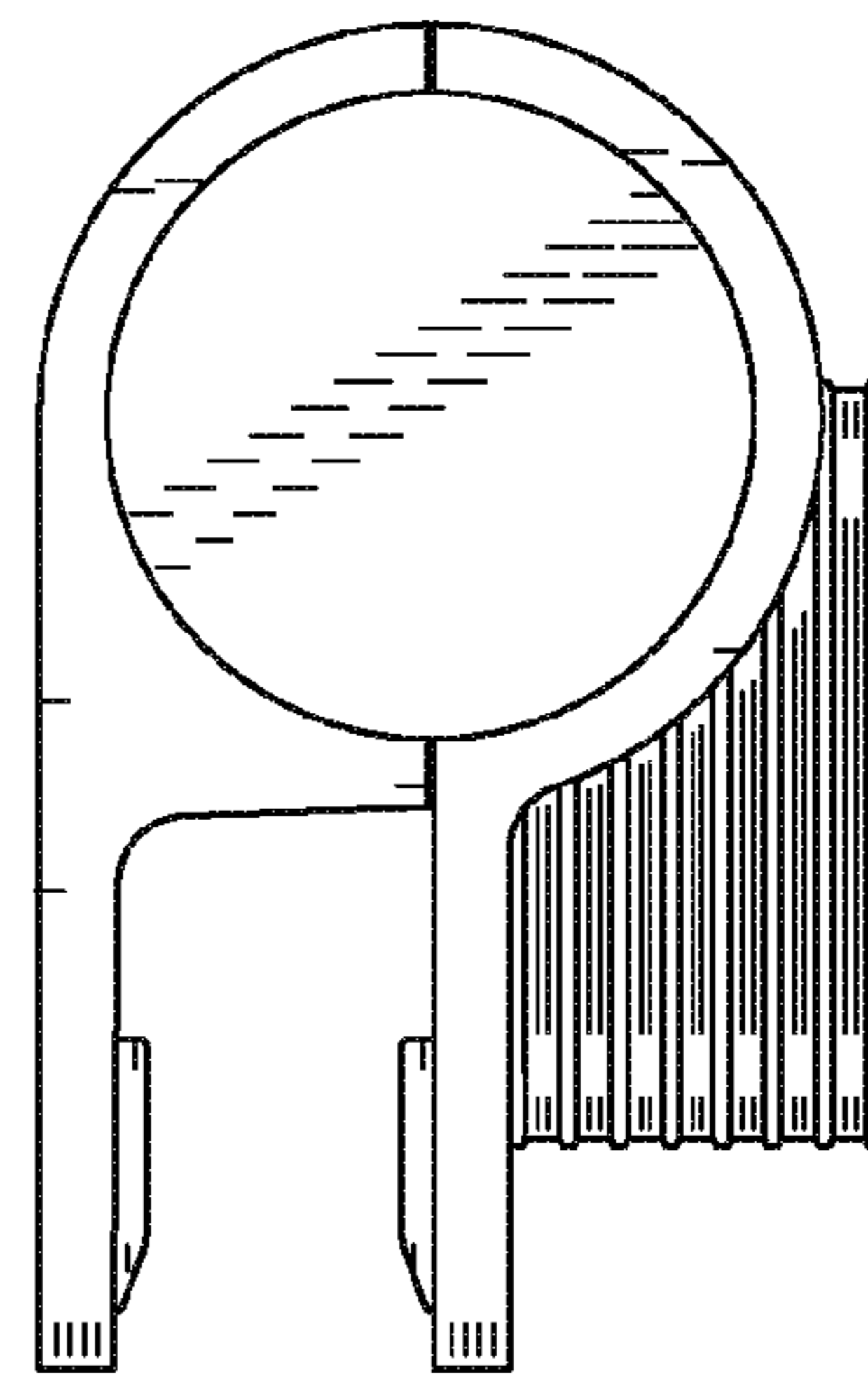


FIG. 7