

US00D563451S

(12) **United States Design Patent**  
**Cheng**

(10) **Patent No.:** **US D563,451 S**

(45) **Date of Patent:** **\*\* Mar. 4, 2008**

(54) **MONITOR CAMERA**

7,217,045 B2 \* 5/2007 Jones ..... 396/427  
D553,659 S \* 10/2007 Kweon ..... D16/203

(76) Inventor: **Yi-Jen Cheng**, 9F, No. 21, Sec. 2,  
Chorngder 2 Rd., Taichung (TW)

\* cited by examiner

(\*\*) Term: **14 Years**

*Primary Examiner*—Adir Aronovich  
(74) *Attorney, Agent, or Firm*—William E. Pelton, Esq.;  
Cooper & Dunham LLP

(21) Appl. No.: **29/288,203**

(22) Filed: **Jun. 4, 2007**

(57) **CLAIM**

(51) **LOC (8) Cl.** ..... **16-01**

The ornamental design for a monitor camera, as shown.

(52) **U.S. Cl.** ..... **D16/203**

(58) **Field of Classification Search** ..... D16/200–205,  
D16/208, 218; 348/143, 151, 373–376; 396/419,  
396/427, 535–541

**DESCRIPTION**

See application file for complete search history.

FIG. 1 is a perspective view of a monitor camera, showing  
my new design;

(56) **References Cited**

**U.S. PATENT DOCUMENTS**

5,121,215 A \* 6/1992 Boers et al. .... 348/373  
5,689,304 A \* 11/1997 Jones et al. .... 348/373  
D435,576 S \* 12/2000 McBride ..... D16/203  
6,234,691 B1 \* 5/2001 Jones et al. .... 348/143  
D461,485 S \* 8/2002 Jones et al. .... D16/203  
D542,320 S \* 5/2007 Cheng ..... D16/203

FIG. 2 is a front view thereof;

FIG. 3 is a rear view thereof;

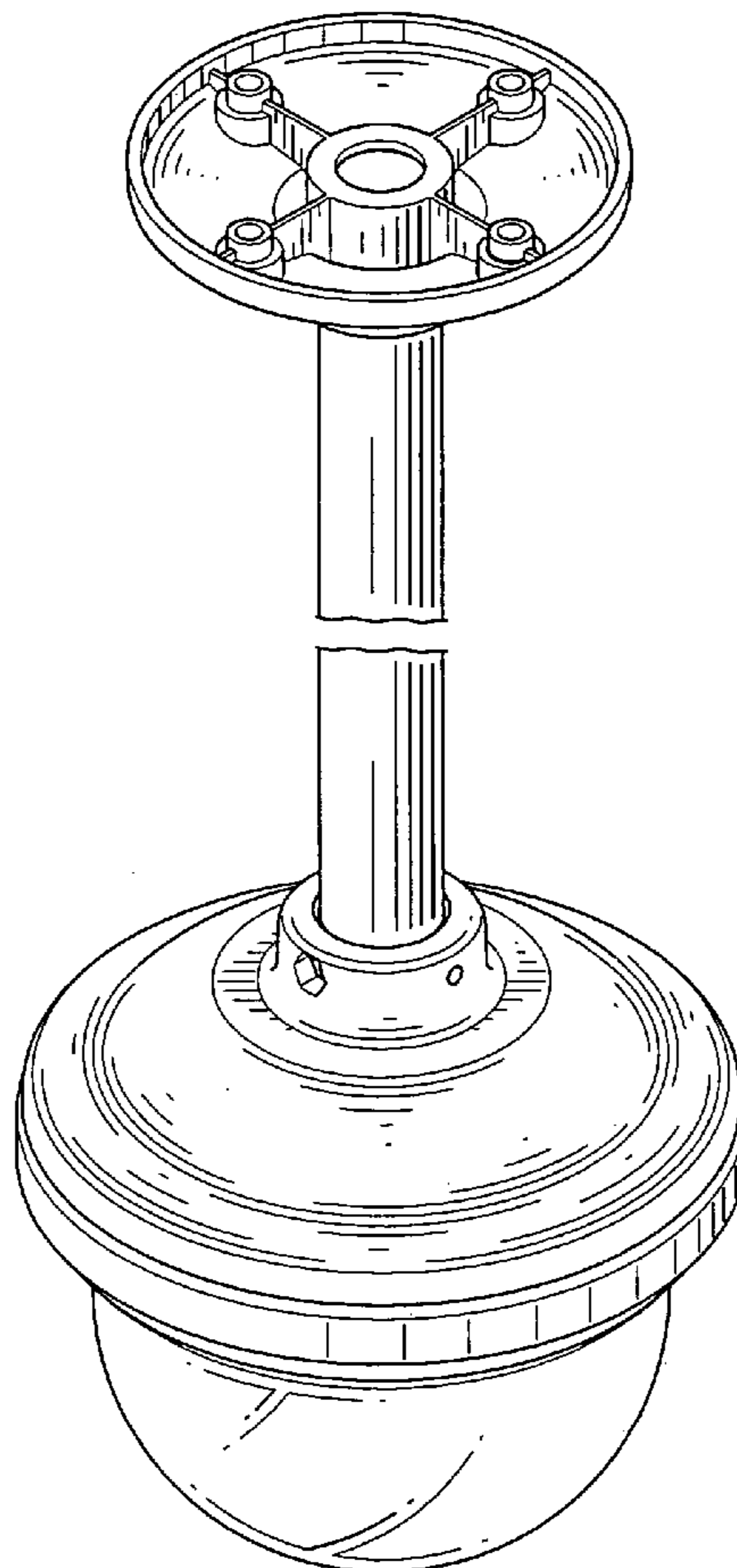
FIG. 4 is a left view thereof;

FIG. 5 is a right view thereof;

FIG. 6 is a top view thereof; and,

FIG. 7 is a bottom view thereof.

**1 Claim, 4 Drawing Sheets**



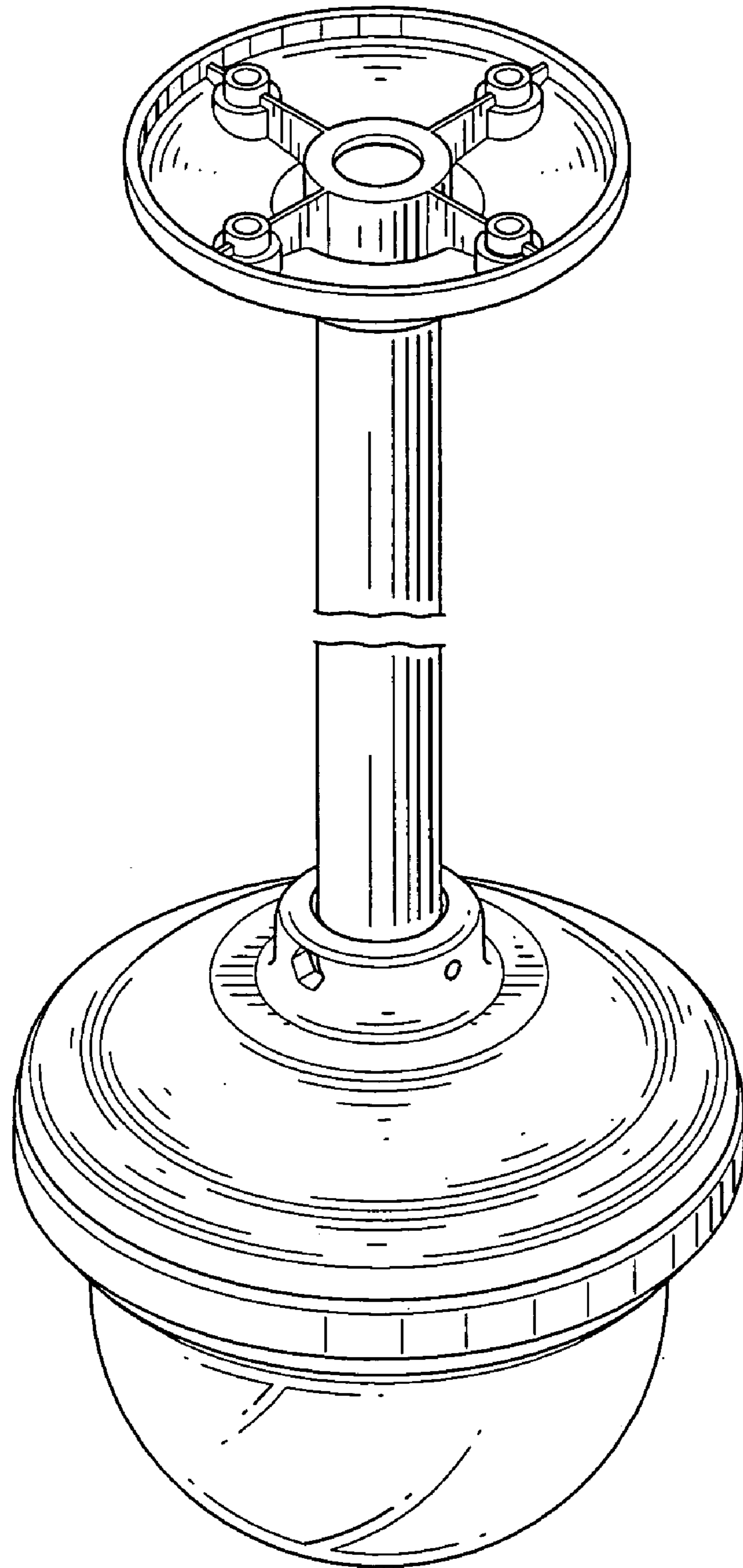


FIG. 1

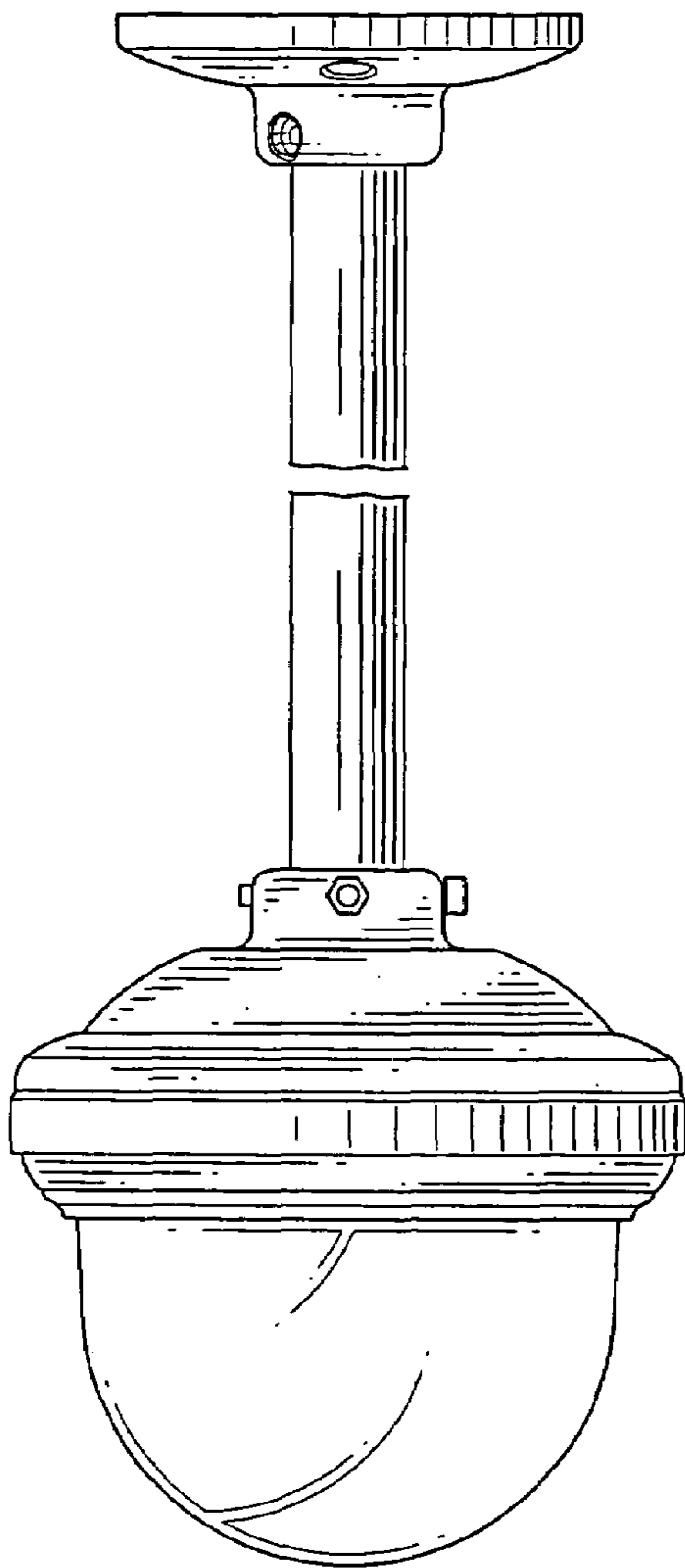


FIG. 2

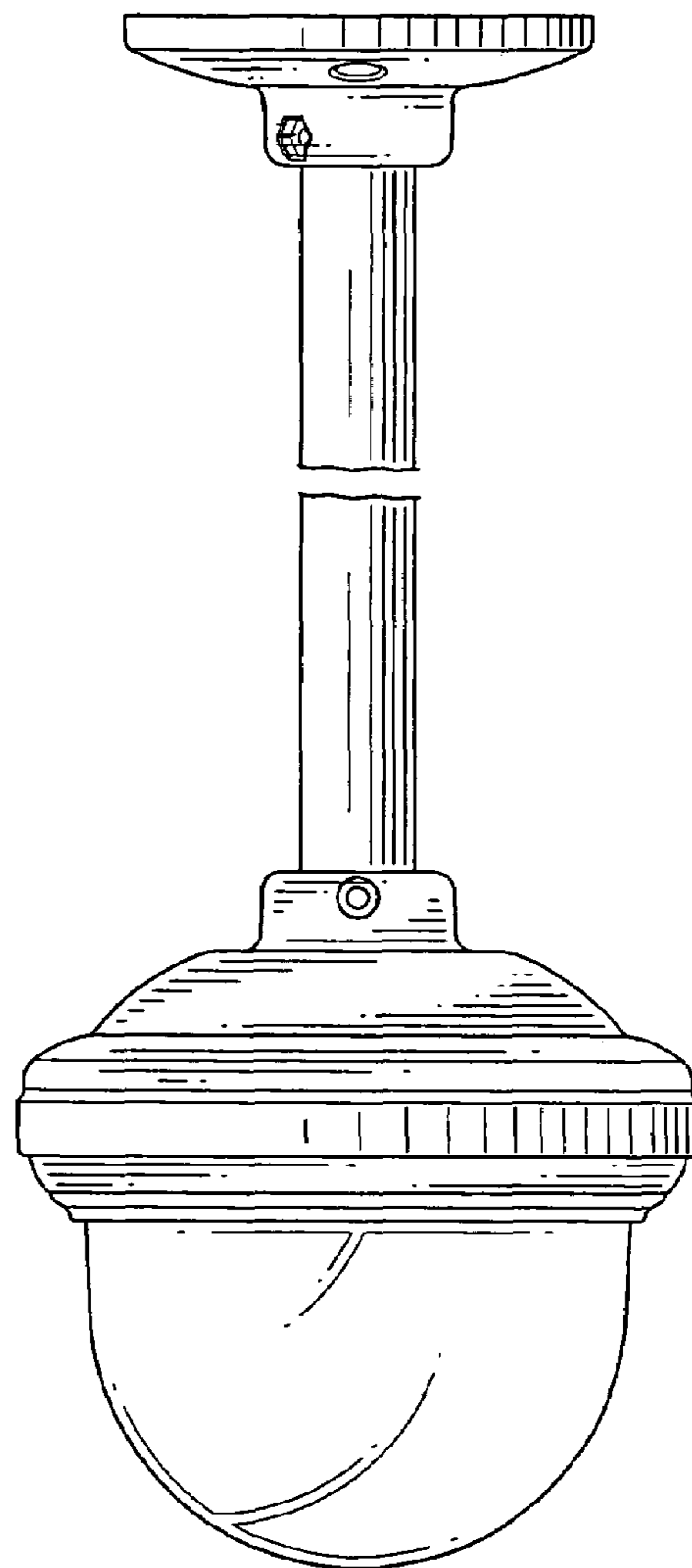


FIG. 3

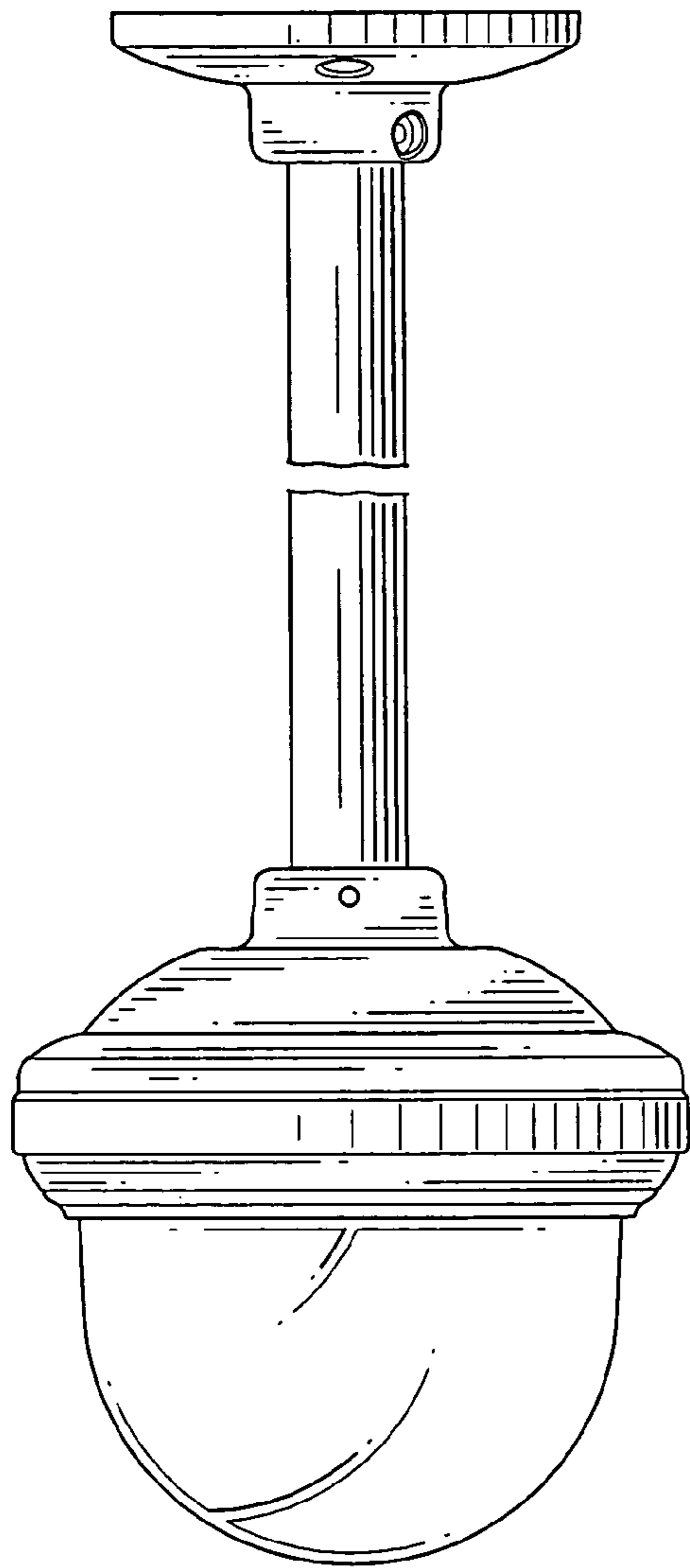


FIG. 4

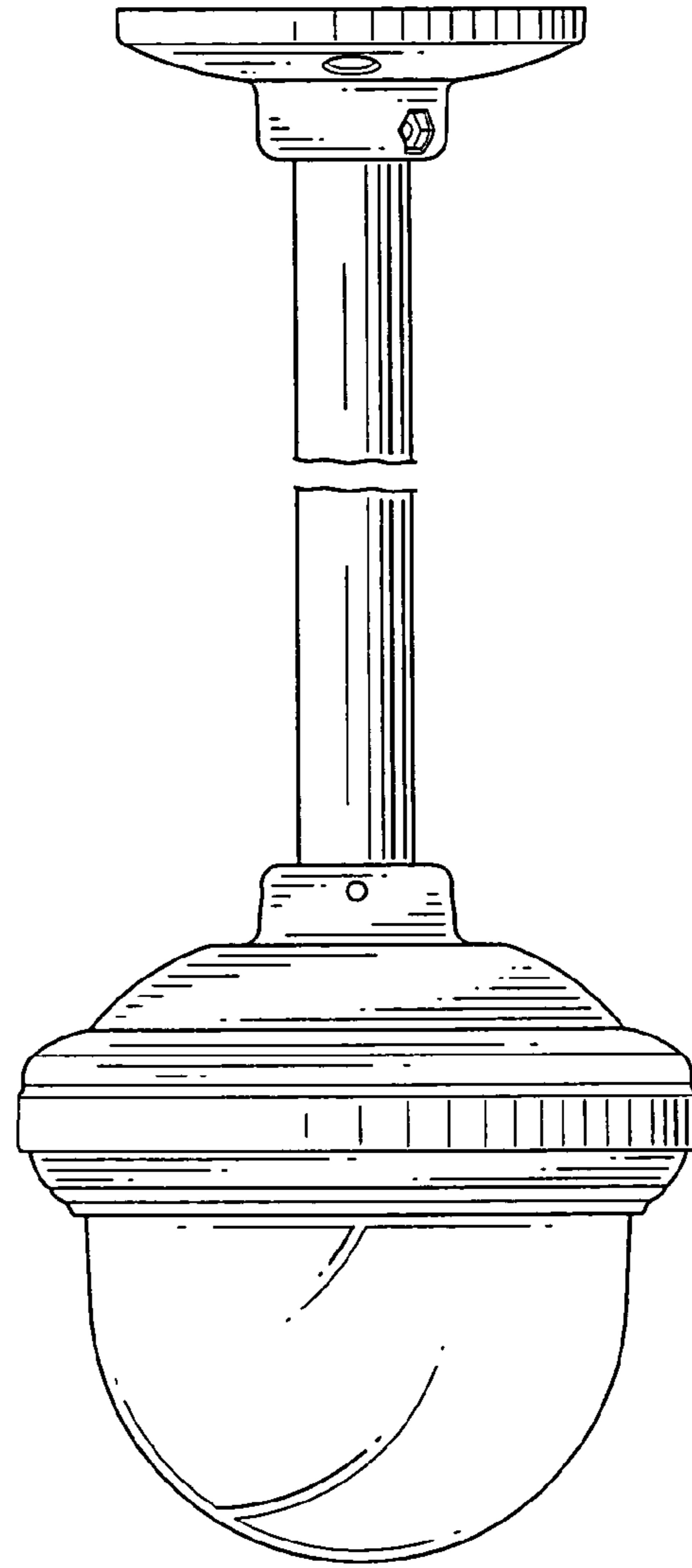


FIG. 5

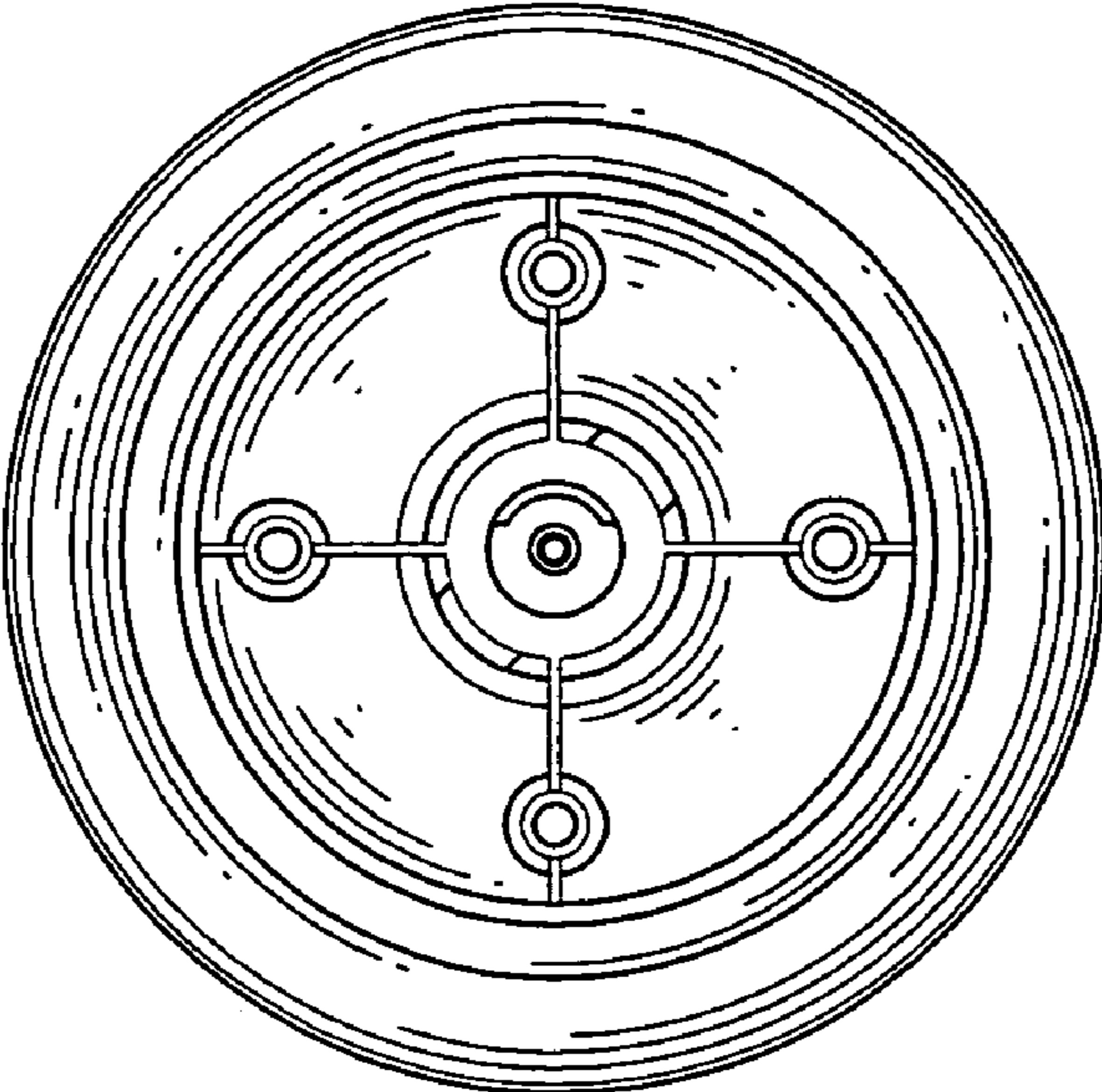


FIG. 6

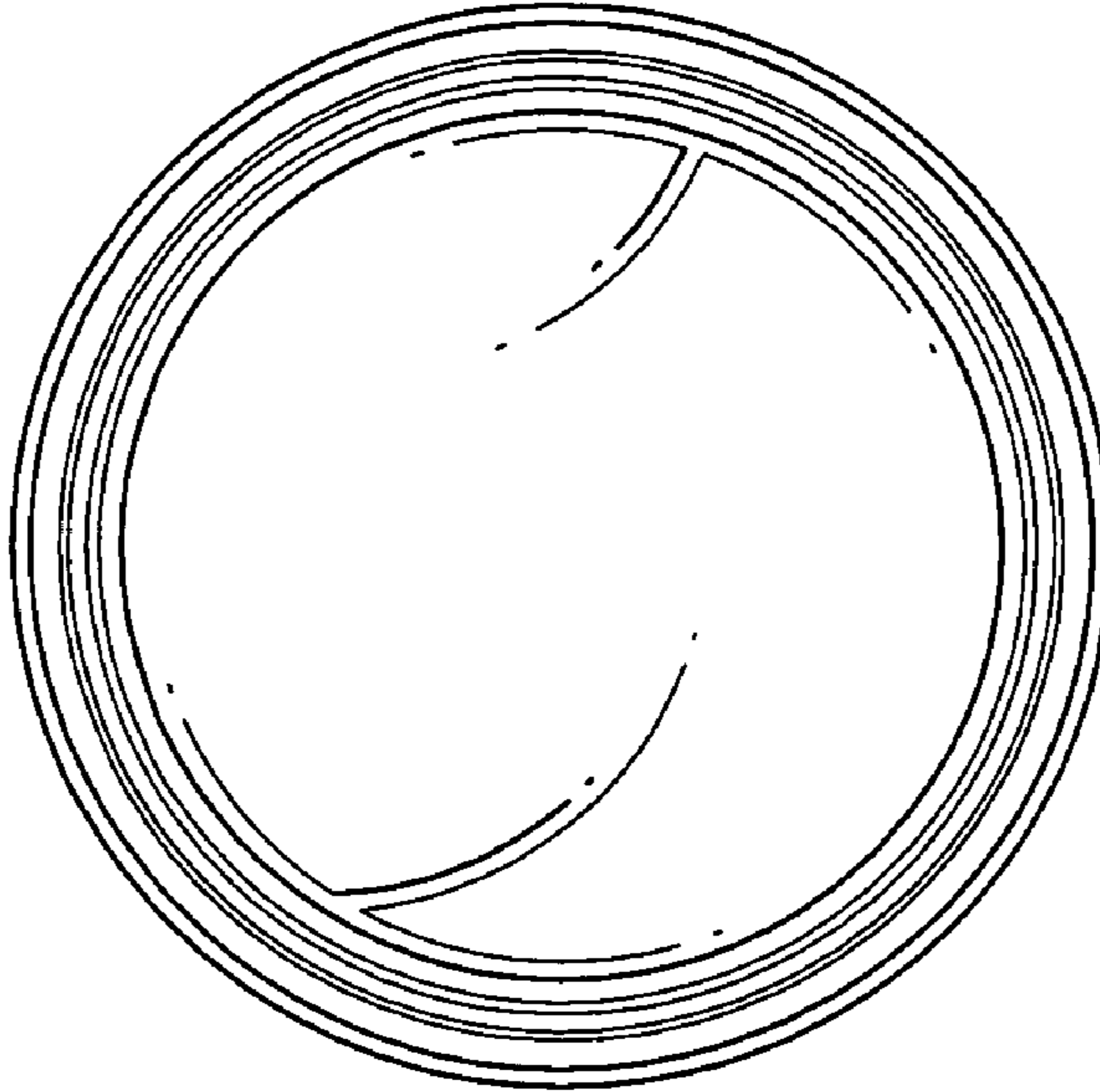


FIG. 7