

US00D563450S

(12) **United States Design Patent**
Cheng

(10) **Patent No.:** **US D563,450 S**

(45) **Date of Patent:** **** Mar. 4, 2008**

(54) **BODY OF MONITOR CAMERA**

7,221,402 B2 * 5/2007 Cheng 348/375

(76) Inventor: **Yi-Jen Cheng**, 9F, No. 21, Sec. 2,
Chorngder 2Rd., Taichung (TW)

* cited by examiner

(**) Term: **14 Years**

Primary Examiner—Adir Aronovich
(74) *Attorney, Agent, or Firm*—William E. Pelton, Esq.;
Cooper & Dunham LLP

(21) Appl. No.: **29/285,983**

(57) **CLAIM**

(22) Filed: **Apr. 19, 2007**

The ornamental design for a body of monitor camera, as shown and described.

(51) **LOC (8) Cl.** **16-01**

(52) **U.S. Cl.** **D16/203; D16/200**

(58) **Field of Classification Search** D16/200–205,
D16/208, 218; 348/143, 151, 373–376; 358/906;
396/427, 535, 536–541

See application file for complete search history.

DESCRIPTION

(56) **References Cited**

U.S. PATENT DOCUMENTS

D410,936 S *	6/1999	Isono	D16/202
D426,844 S *	6/2000	Fujii	D16/203
D446,801 S *	8/2001	Adachi et al.	D16/203
D470,520 S *	2/2003	Yamakawa et al.	D16/203
6,683,654 B1 *	1/2004	Haijima	348/374
D489,744 S *	5/2004	Muto	D16/203
D529,063 S *	9/2006	Cheng	D16/203
D532,806 S *	11/2006	Cheng	D16/203
D540,360 S *	4/2007	Yamakawa	D16/203
D543,568 S *	5/2007	Naruki	D16/203

FIG. 1 is a top, front and right side perspective view of a body of monitor camera showing my new design;

FIG. 2 is a front view thereof;

FIG. 3 is a rear view thereof;

FIG. 4 is a left side view thereof;

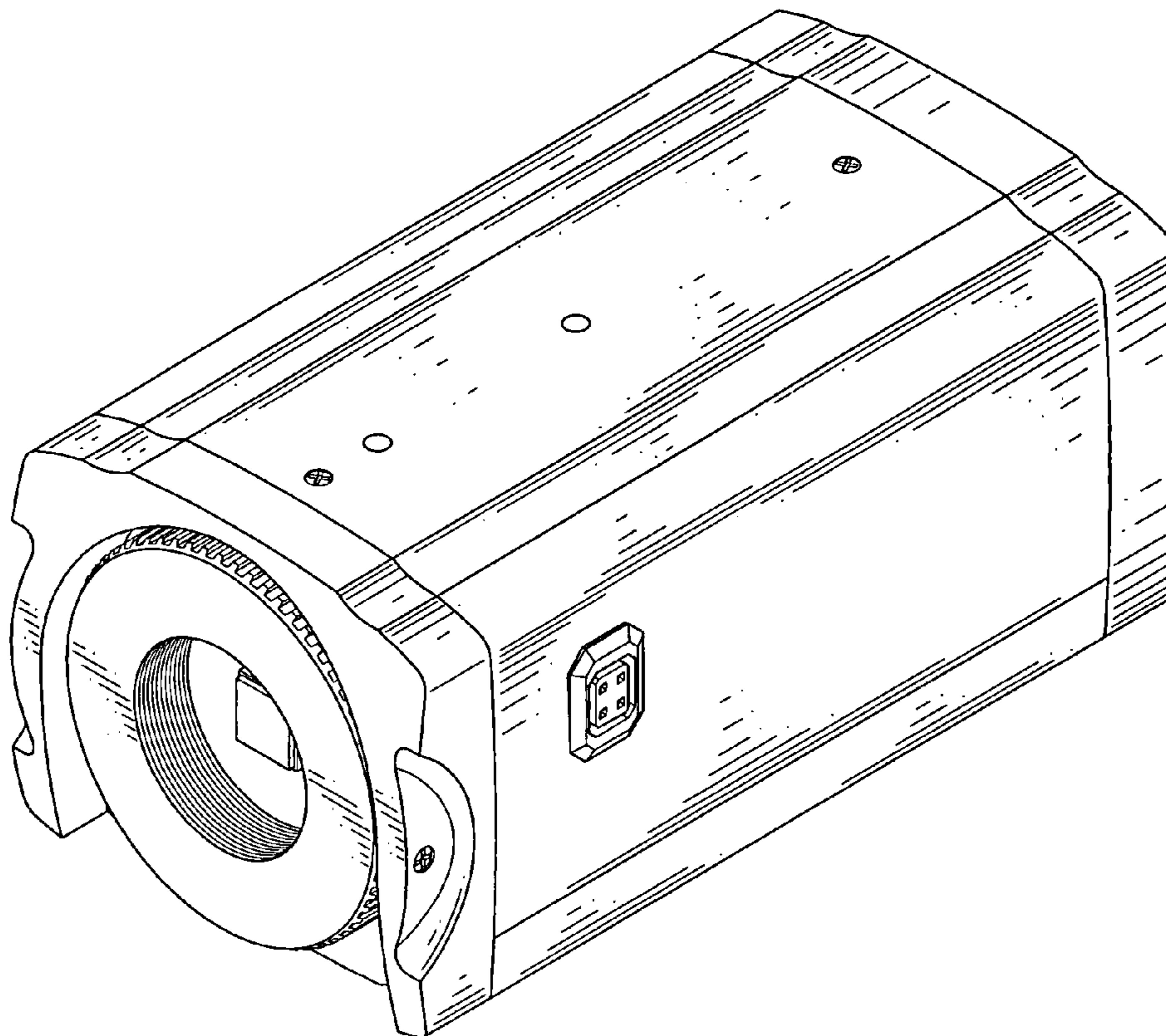
FIG. 5 is a right side view thereof;

FIG. 6 is a top view thereof;

FIG. 7 is a bottom view thereof; and,

FIG. 8 is a top, front and right side perspective view thereof, with a lens extended. The extended lens portion is shown for illustrative purposes only and forms no part of the claimed design.

1 Claim, 6 Drawing Sheets



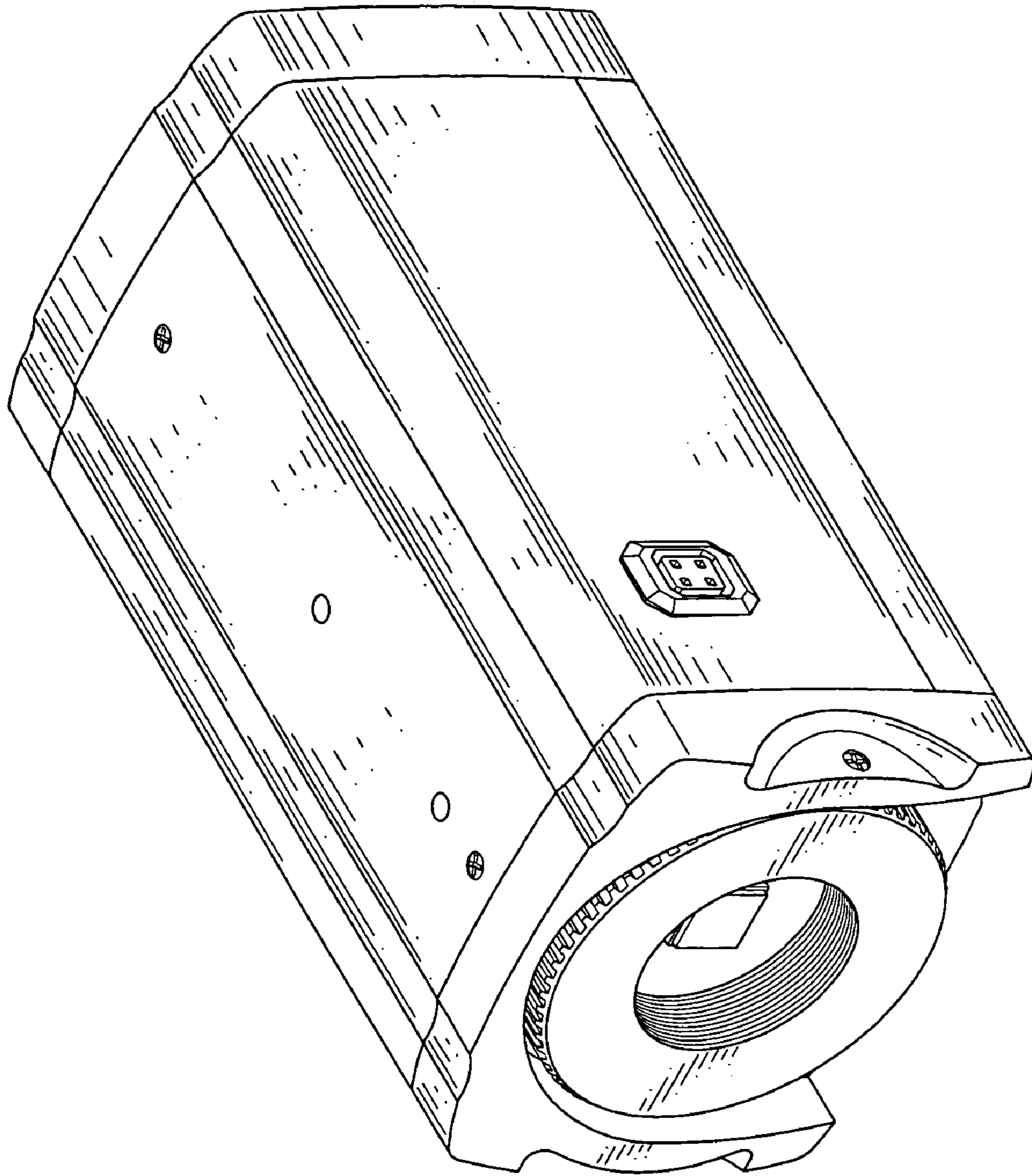


FIG. 1

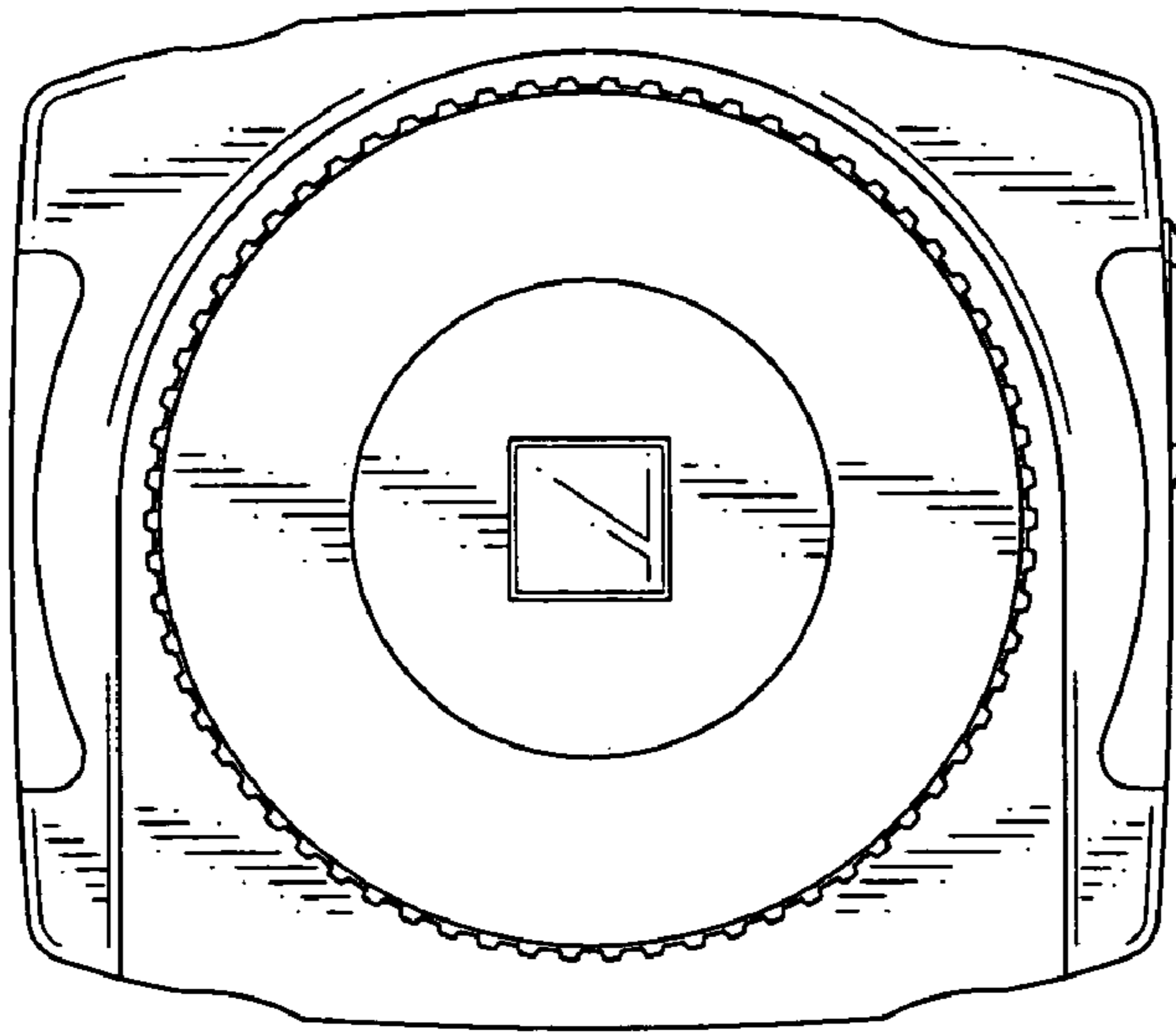


FIG. 2

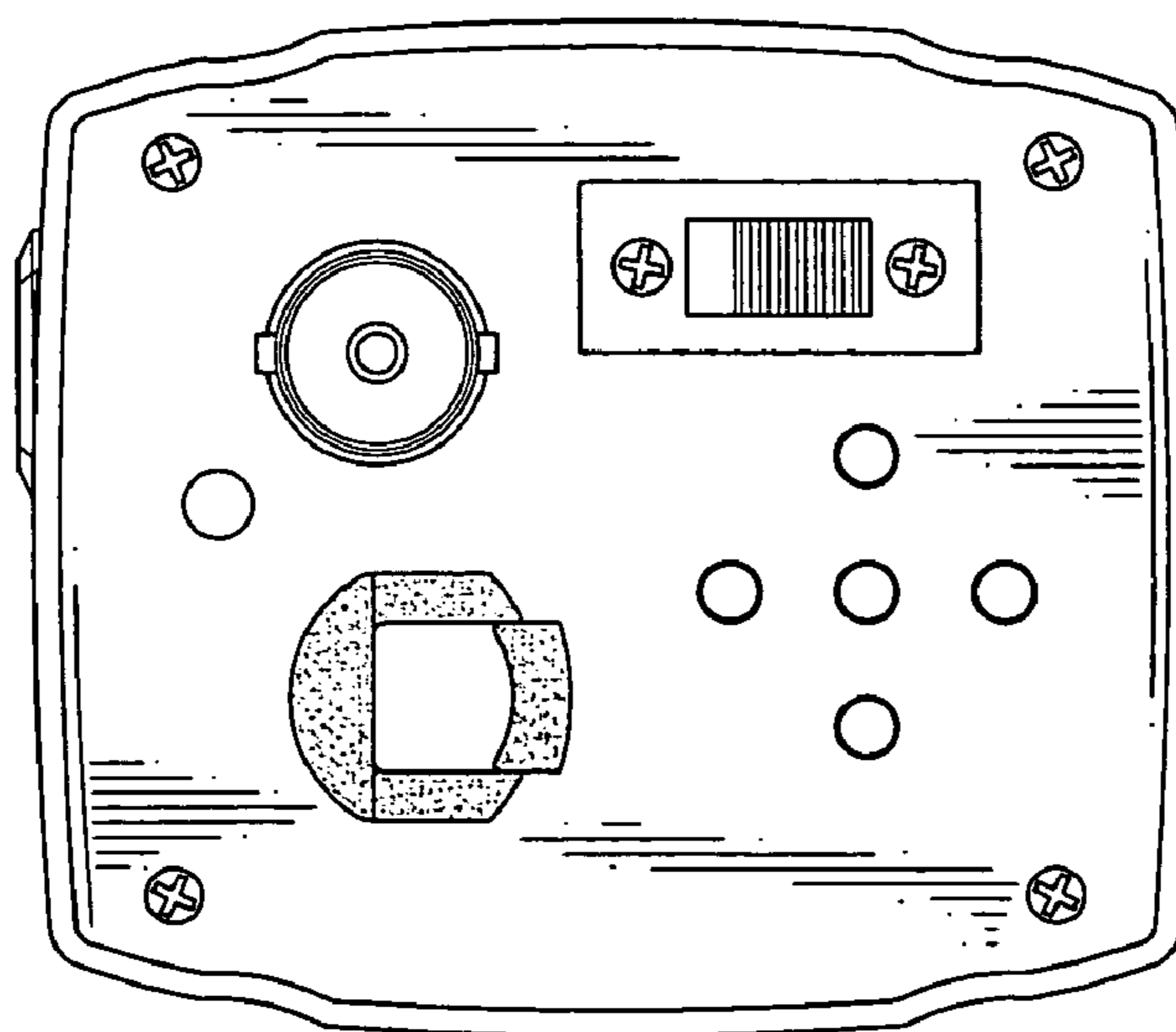


FIG. 3

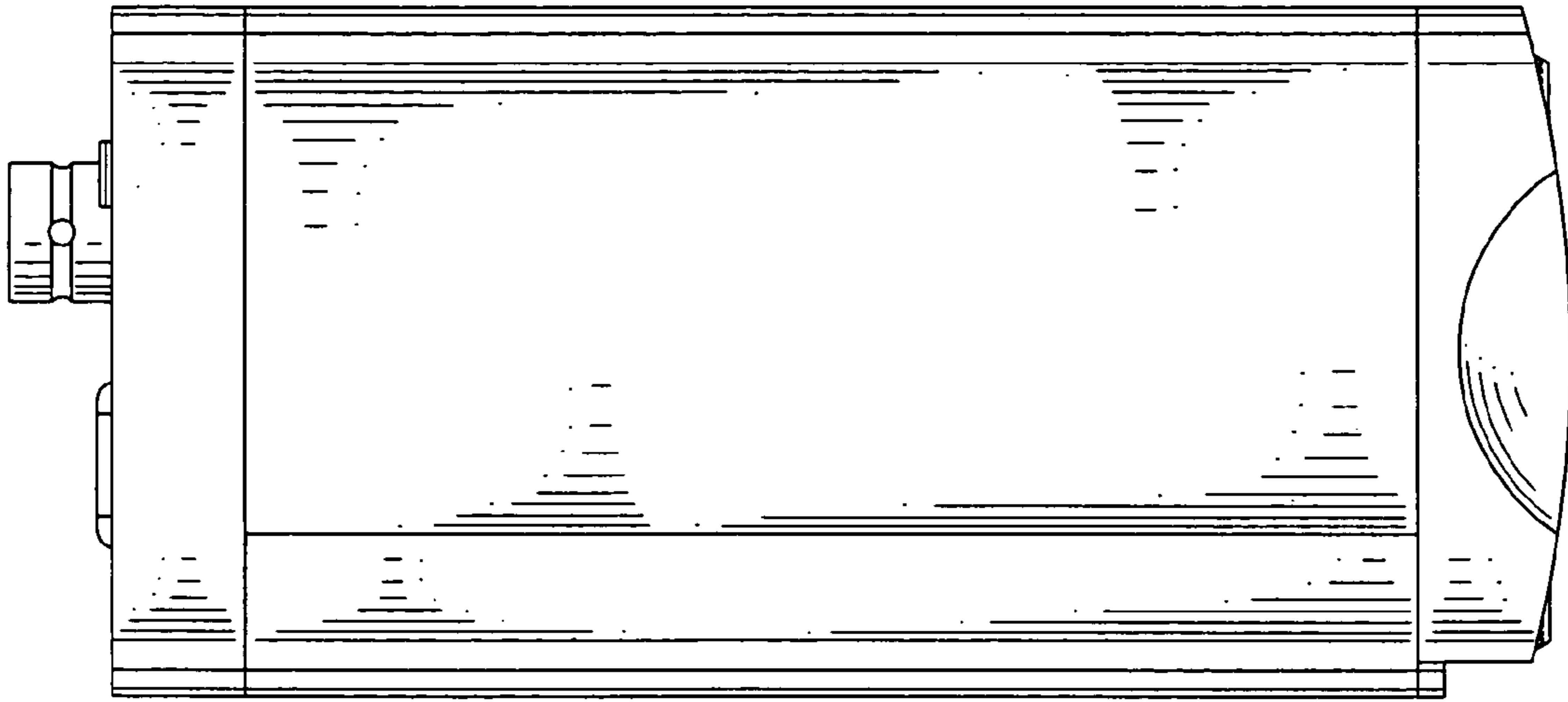


FIG. 4

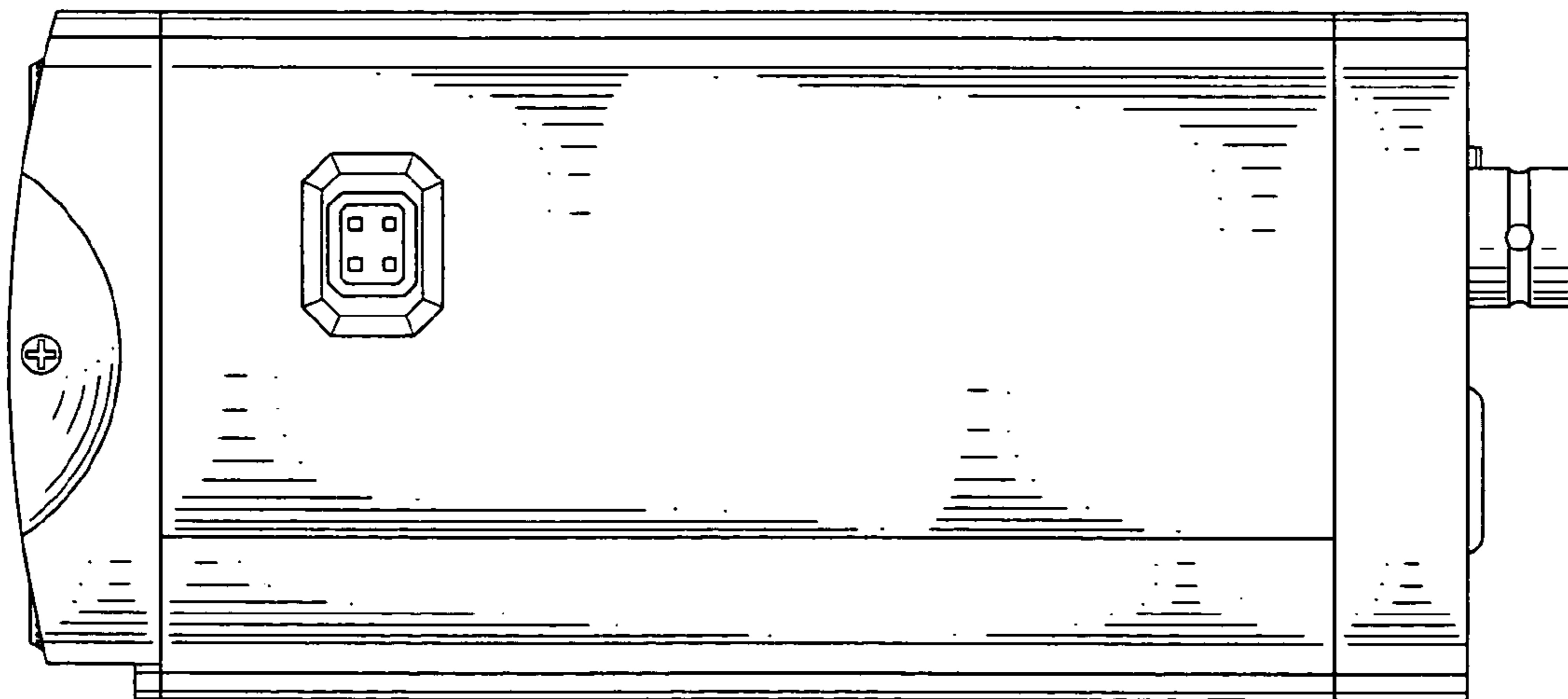


FIG. 5

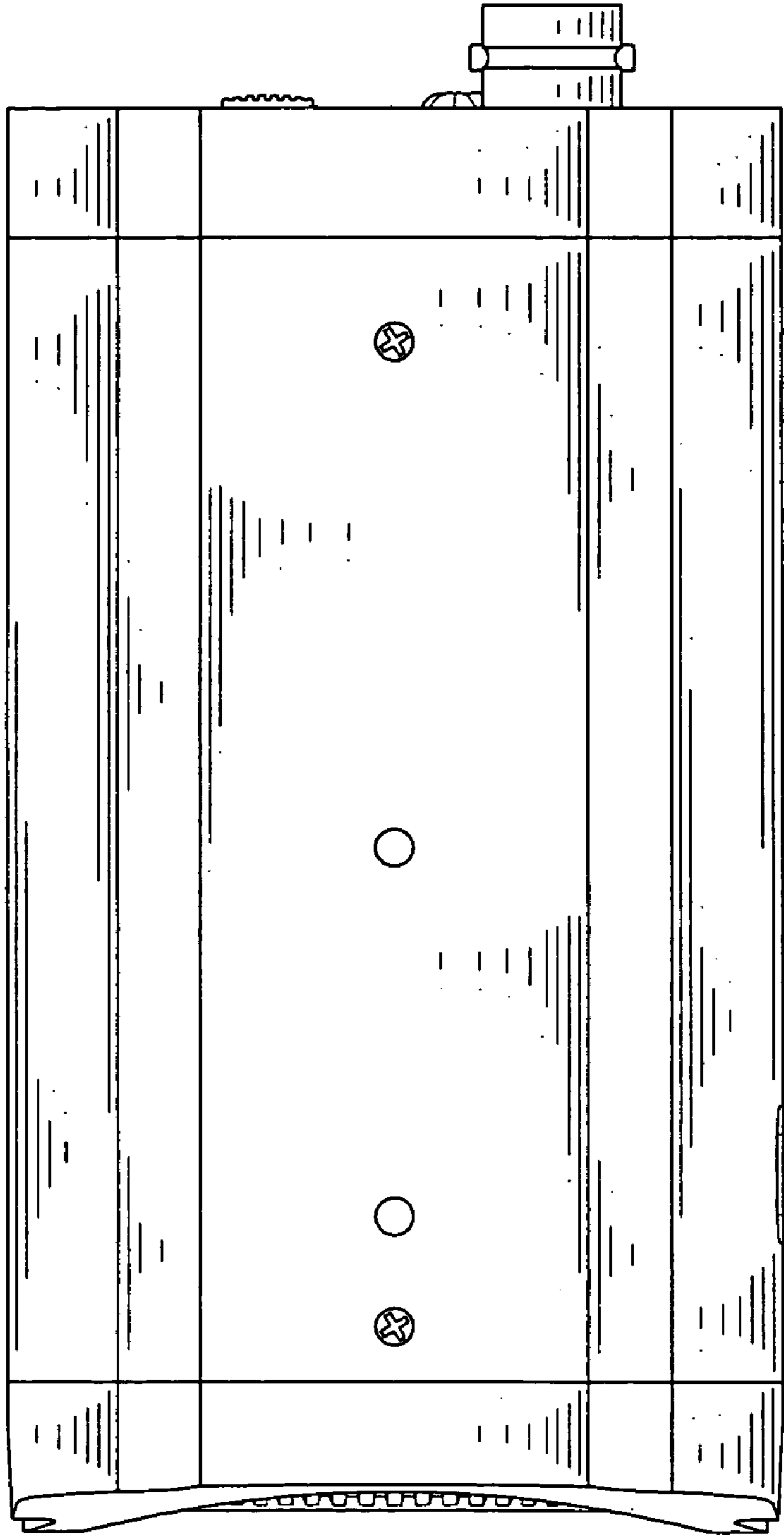


FIG. 6

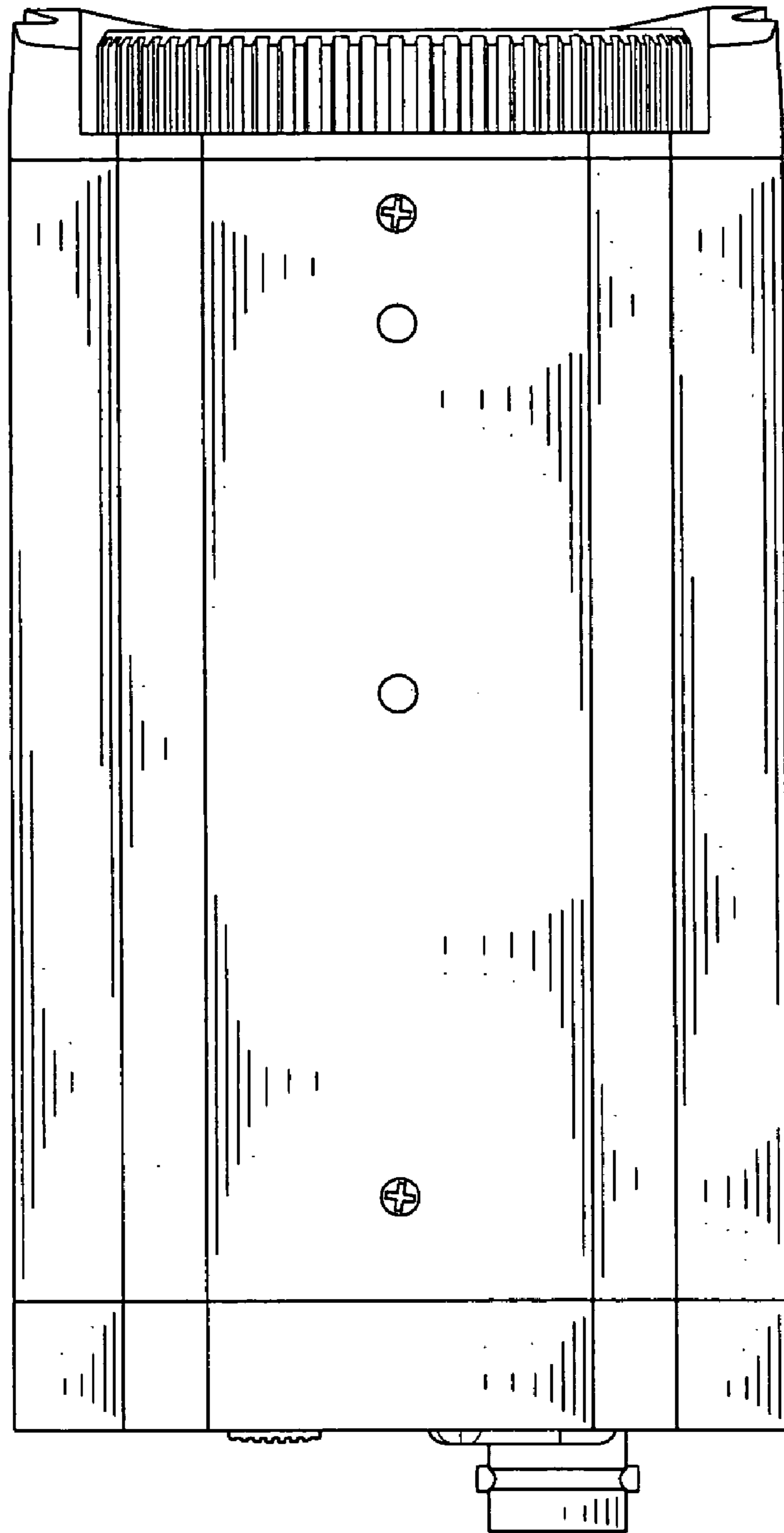


FIG. 7

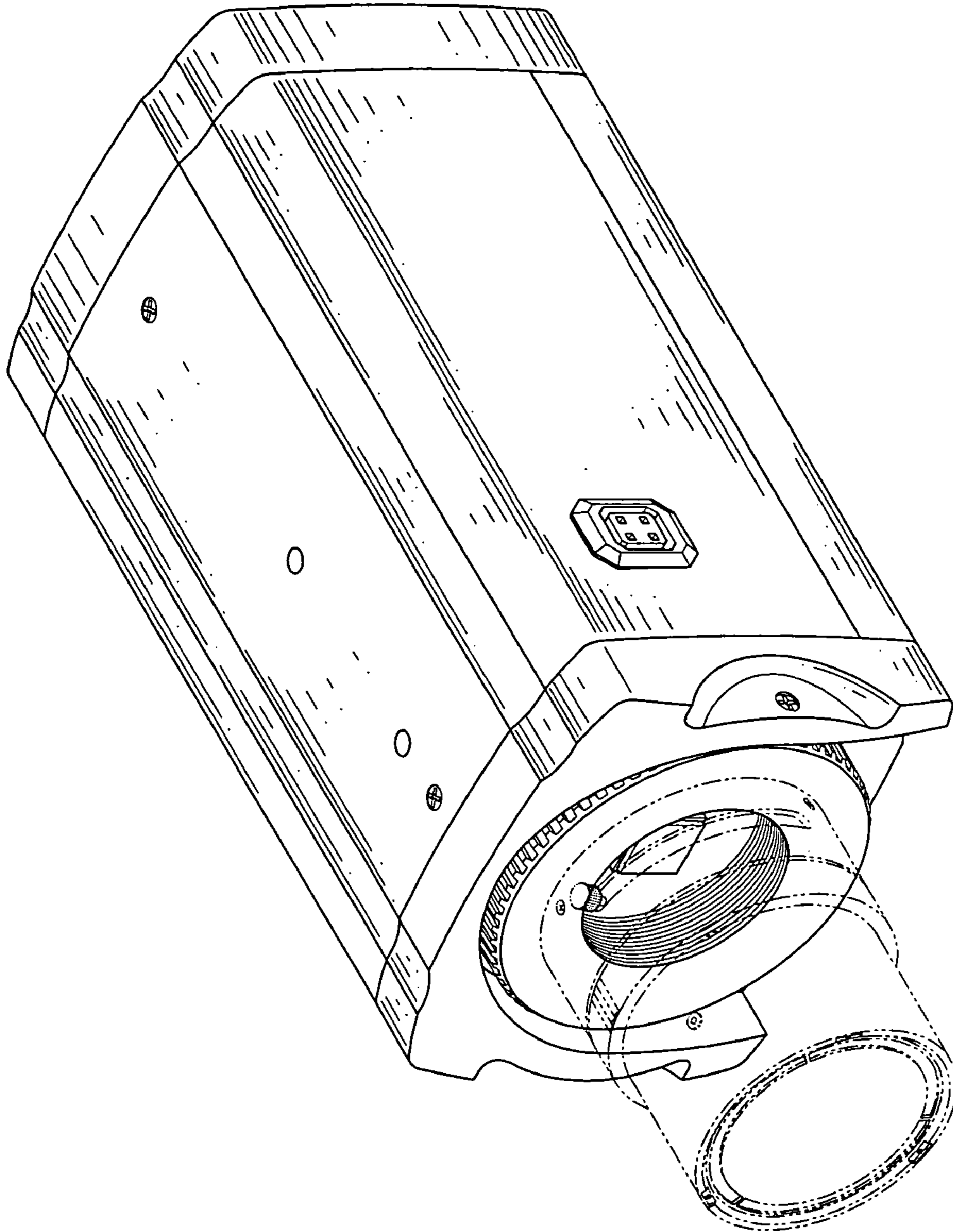


FIG. 8