

US00D563449S

(12) **United States Design Patent**
Kinemura et al.

(10) **Patent No.:** **US D563,449 S**
(45) **Date of Patent:** **** Mar. 4, 2008**

(54) **DIGITAL CAMERA**

(75) Inventors: **Hiroyuki Kinemura**, Nishinomiya (JP);
Kazuhisa Tashima, Daito (JP)

(73) Assignee: **Sanyo Electric Co., Ltd.**, Osaka (JP)

(**) Term: **14 Years**

(21) Appl. No.: **29/277,644**

(22) Filed: **Mar. 5, 2007**

(30) **Foreign Application Priority Data**

Sep. 11, 2006 (JP) 2006-024210

(51) **LOC (8) Cl.** **16-01**

(52) **U.S. Cl.** **D16/202**

(58) **Field of Classification Search** D16/200-206,
D16/208, 218; 348/373-376; 358/906,
358/909.1; 396/535-541

See application file for complete search history.

(56) **References Cited**

U.S. PATENT DOCUMENTS

D463,469 S * 9/2002 Kawase D16/202
D499,437 S * 12/2004 Miyamori et al. D16/202
D503,731 S * 4/2005 Kinemura et al. D16/202
6,912,005 B2 * 6/2005 Senda 348/333.06
D515,605 S * 2/2006 Hayashi et al. D16/202
7,092,626 B2 * 8/2006 Hirai 396/176

D528,141 S * 9/2006 Kinemura et al. D16/202
D528,577 S * 9/2006 Byun et al. D16/202
D547,785 S * 7/2007 Oe D16/202

* cited by examiner

Primary Examiner—Ian Simmons

Assistant Examiner—Wan Laymon

(74) *Attorney, Agent, or Firm*—Darby & Darby P.C.

(57) **CLAIM**

The ornamental design for a digital camera, as shown and described.

DESCRIPTION

FIG. 1 is a front, right-side perspective view of our new design for a digital camera;

FIG. 2 is a rear, right-side perspective view thereof;

FIG. 3 is a top, front, right-side perspective view thereof with display pivoted outwardly;

FIG. 4 is a front elevation view thereof;

FIG. 5 is a top plan view thereof;

FIG. 6 is a rear elevation view thereof;

FIG. 7 is a bottom plan view thereof;

FIG. 8 is a left-side elevation view thereof; and,

FIG. 9 is a right-side elevation view thereof.

1 Claim, 3 Drawing Sheets

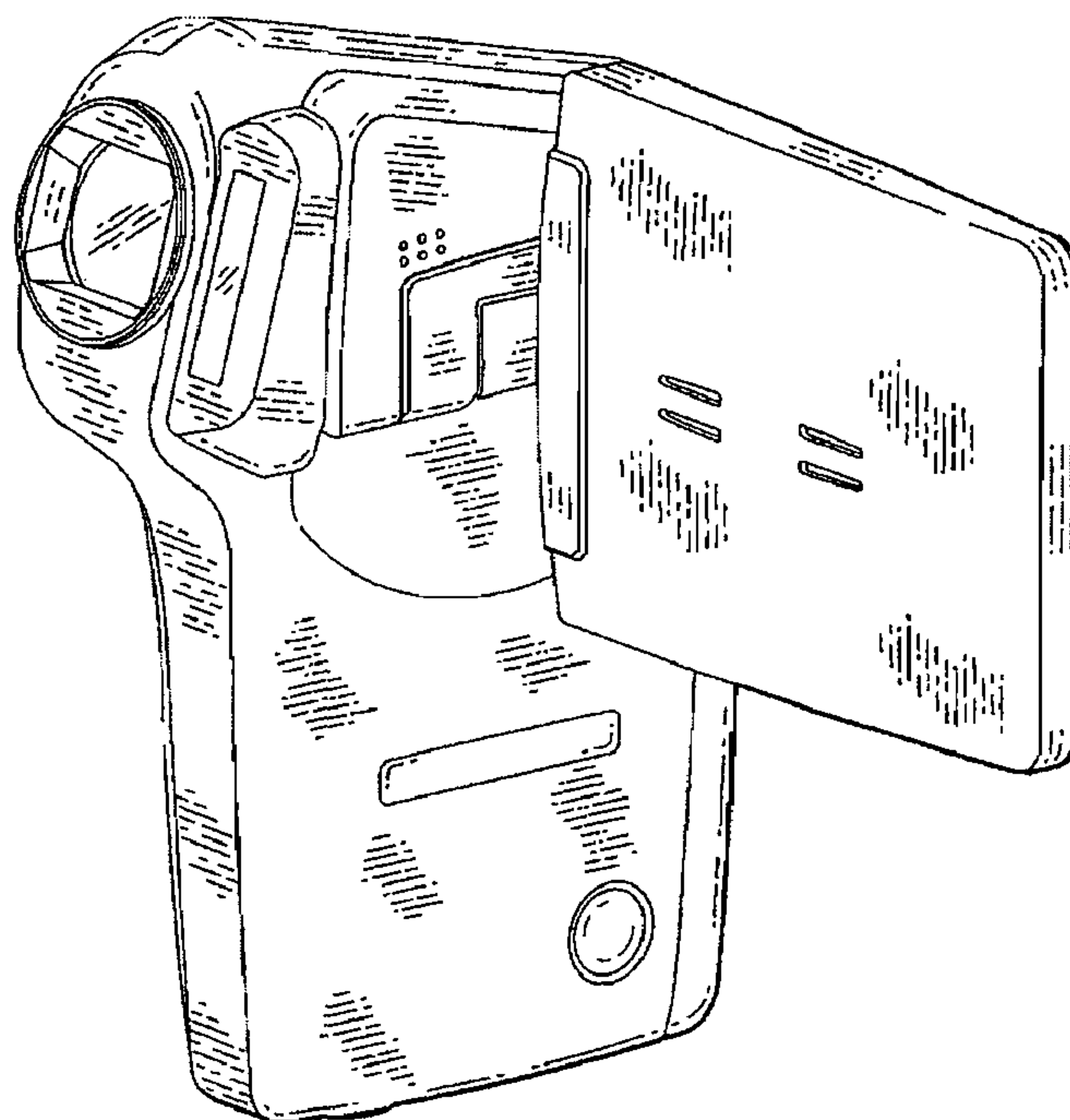
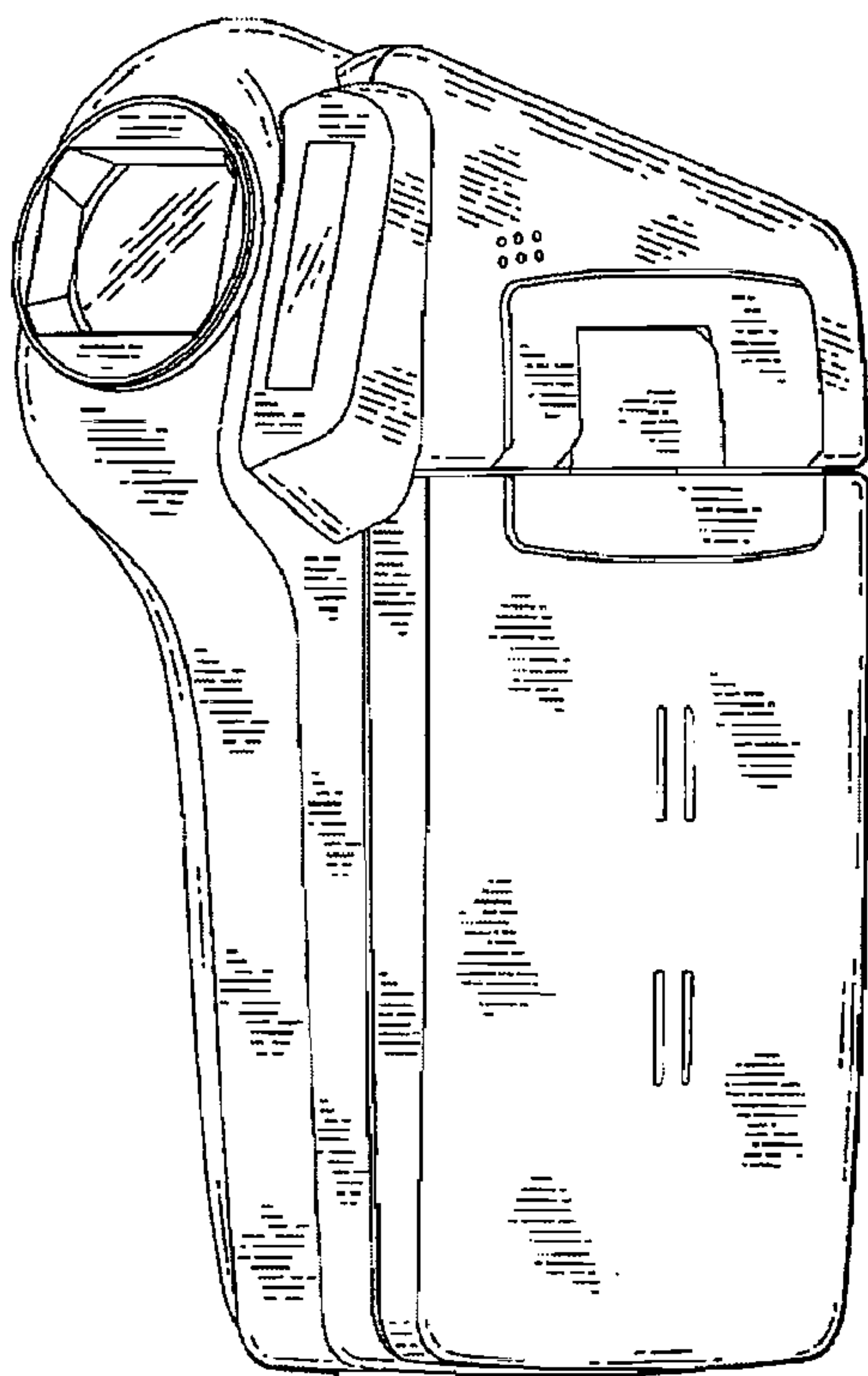


FIG.3

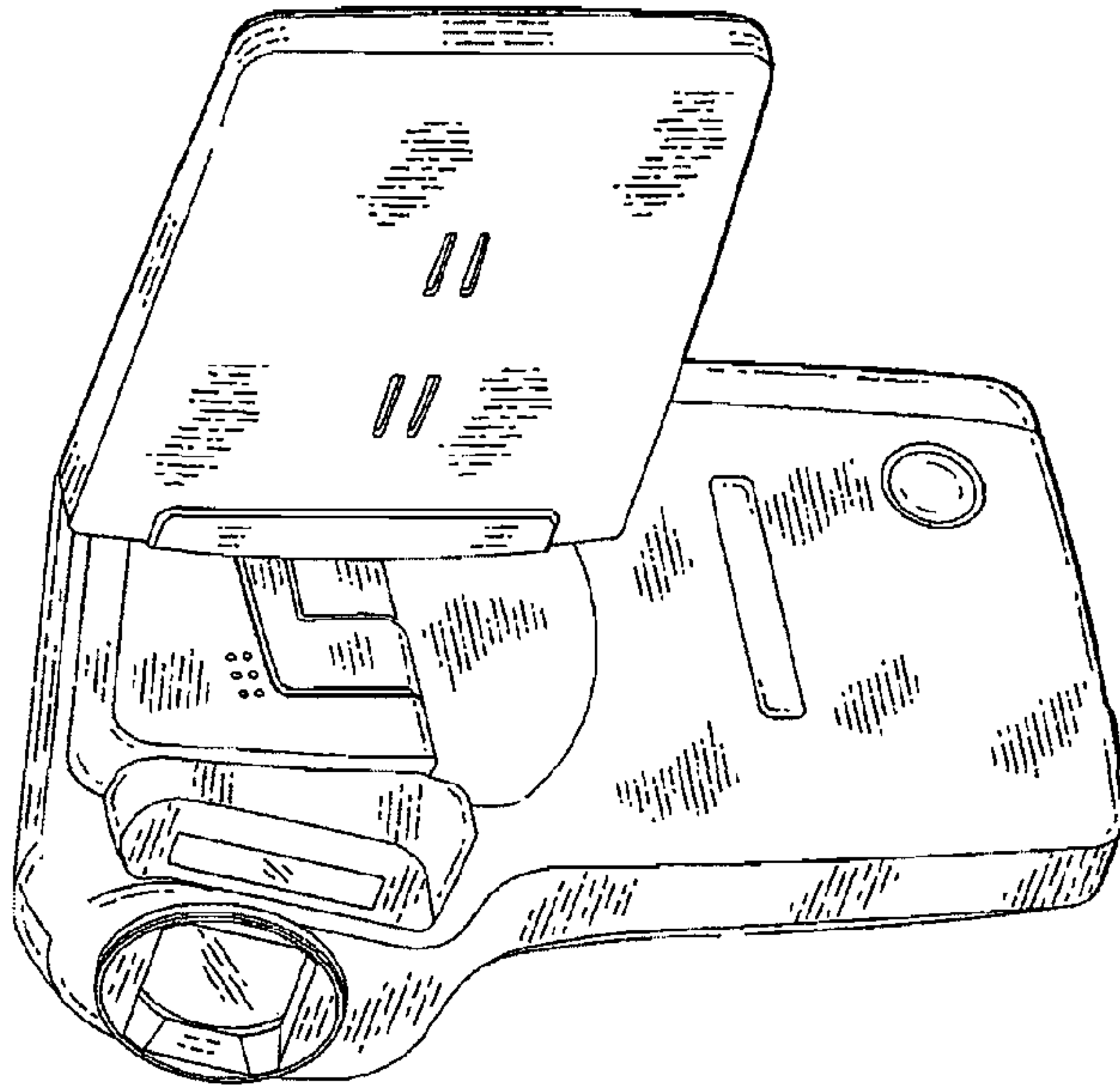


FIG.2

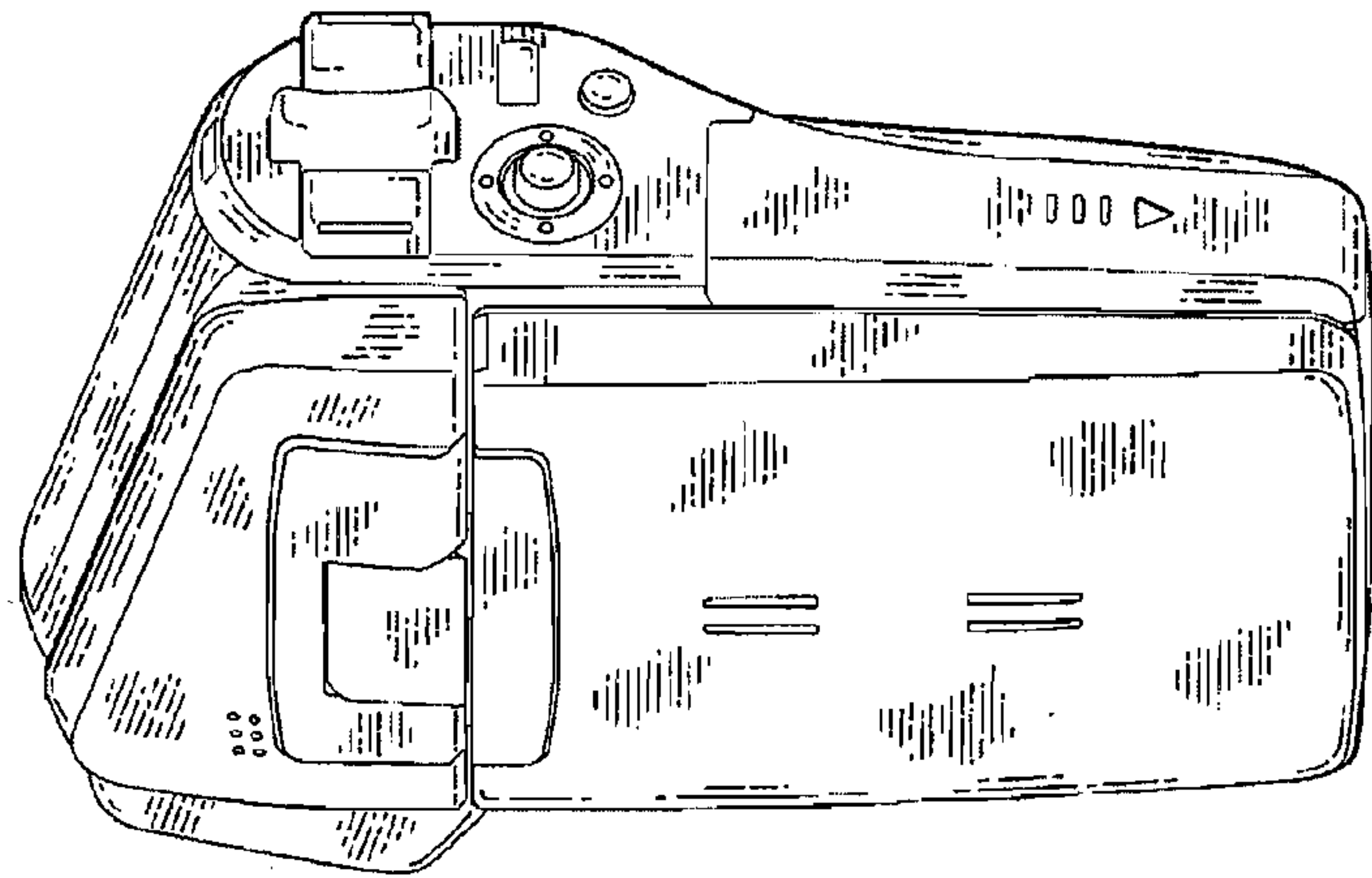


FIG.1

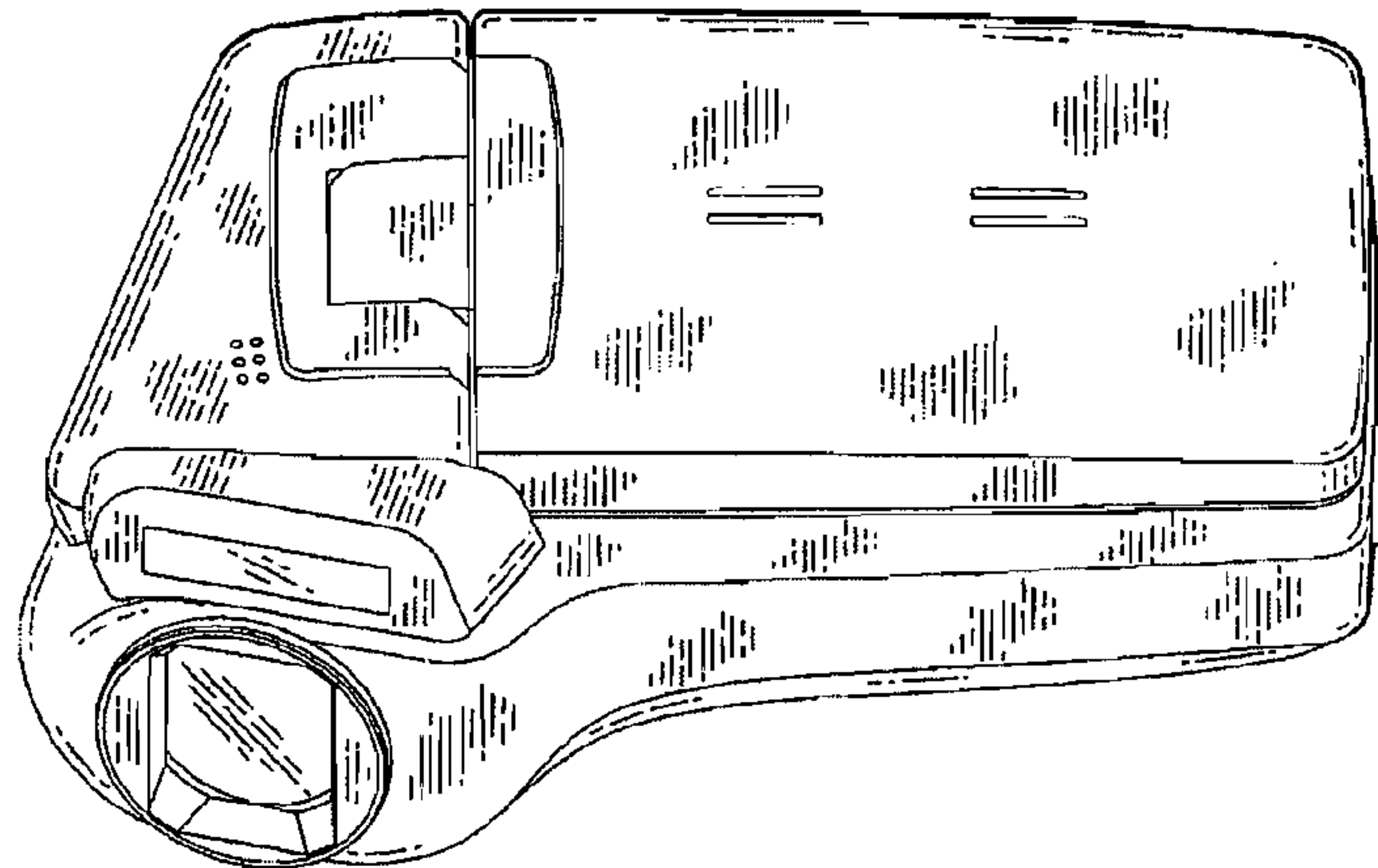


FIG.6

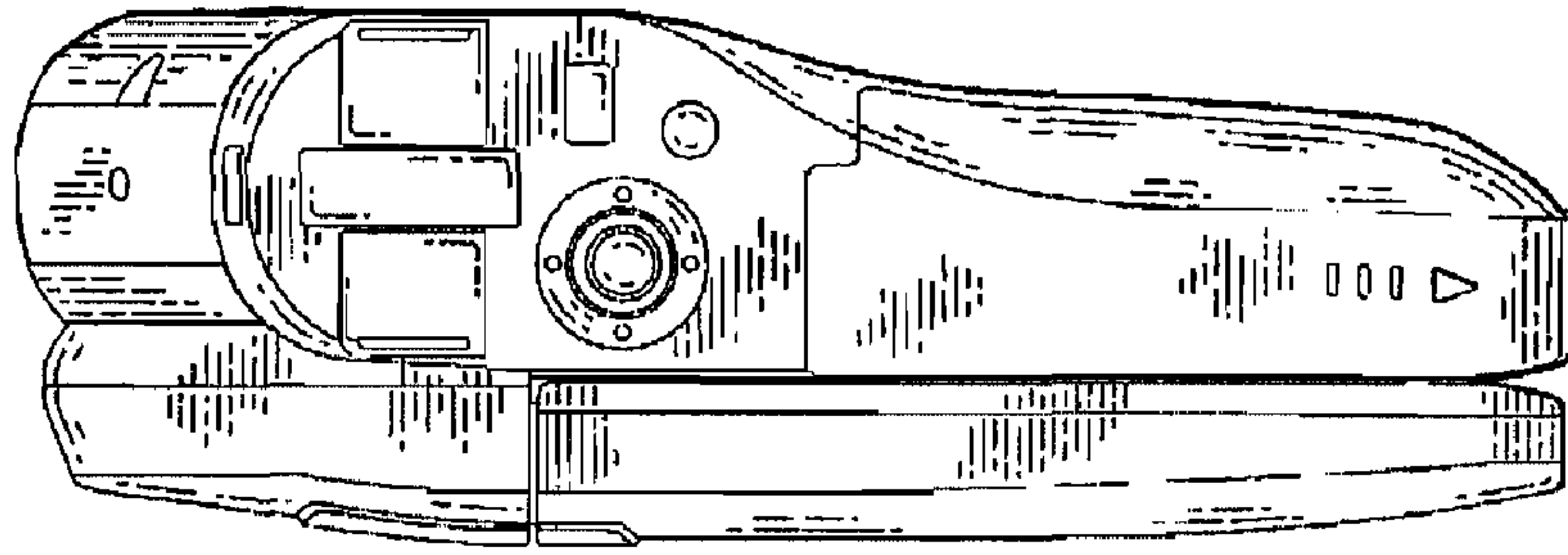


FIG.5

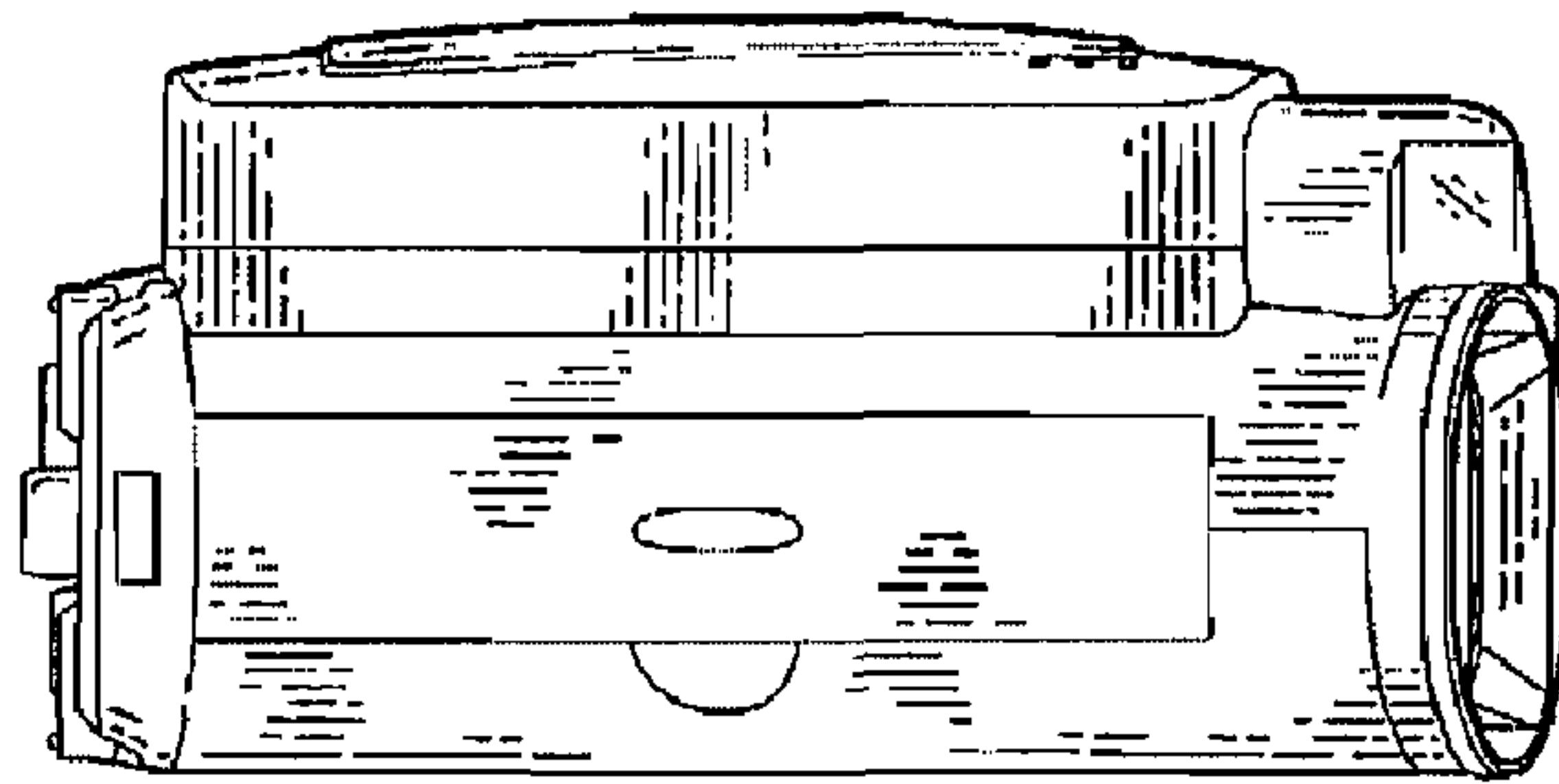


FIG.4

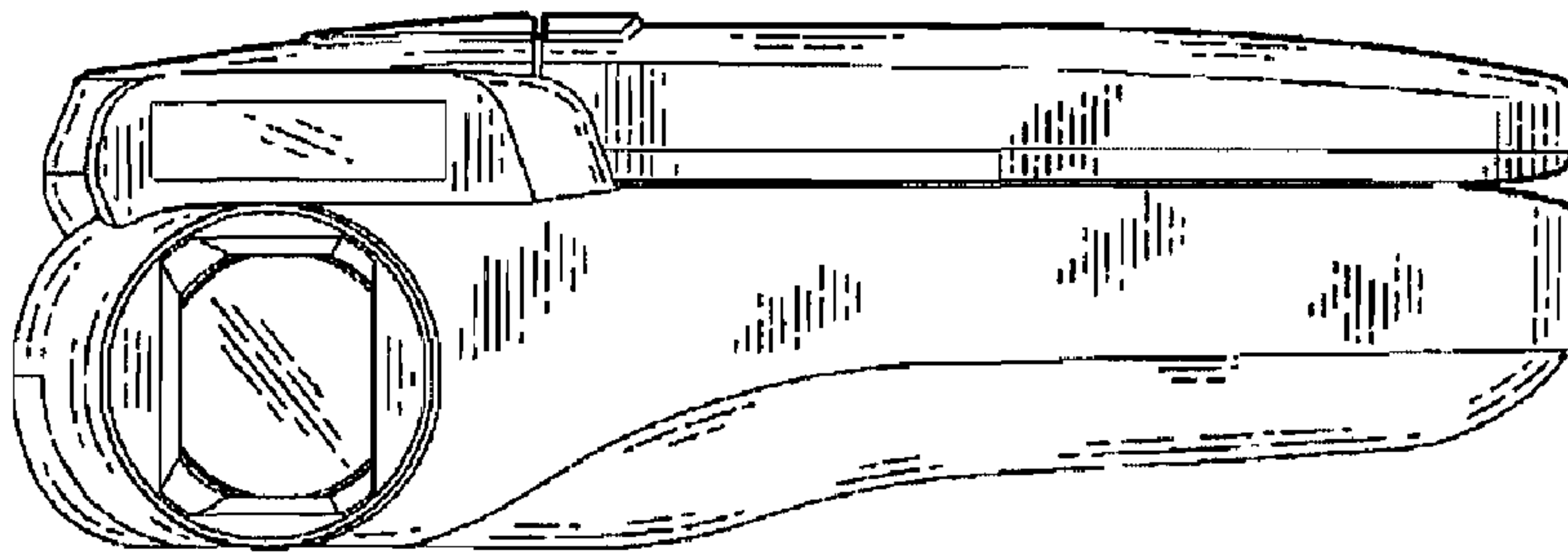


FIG.7

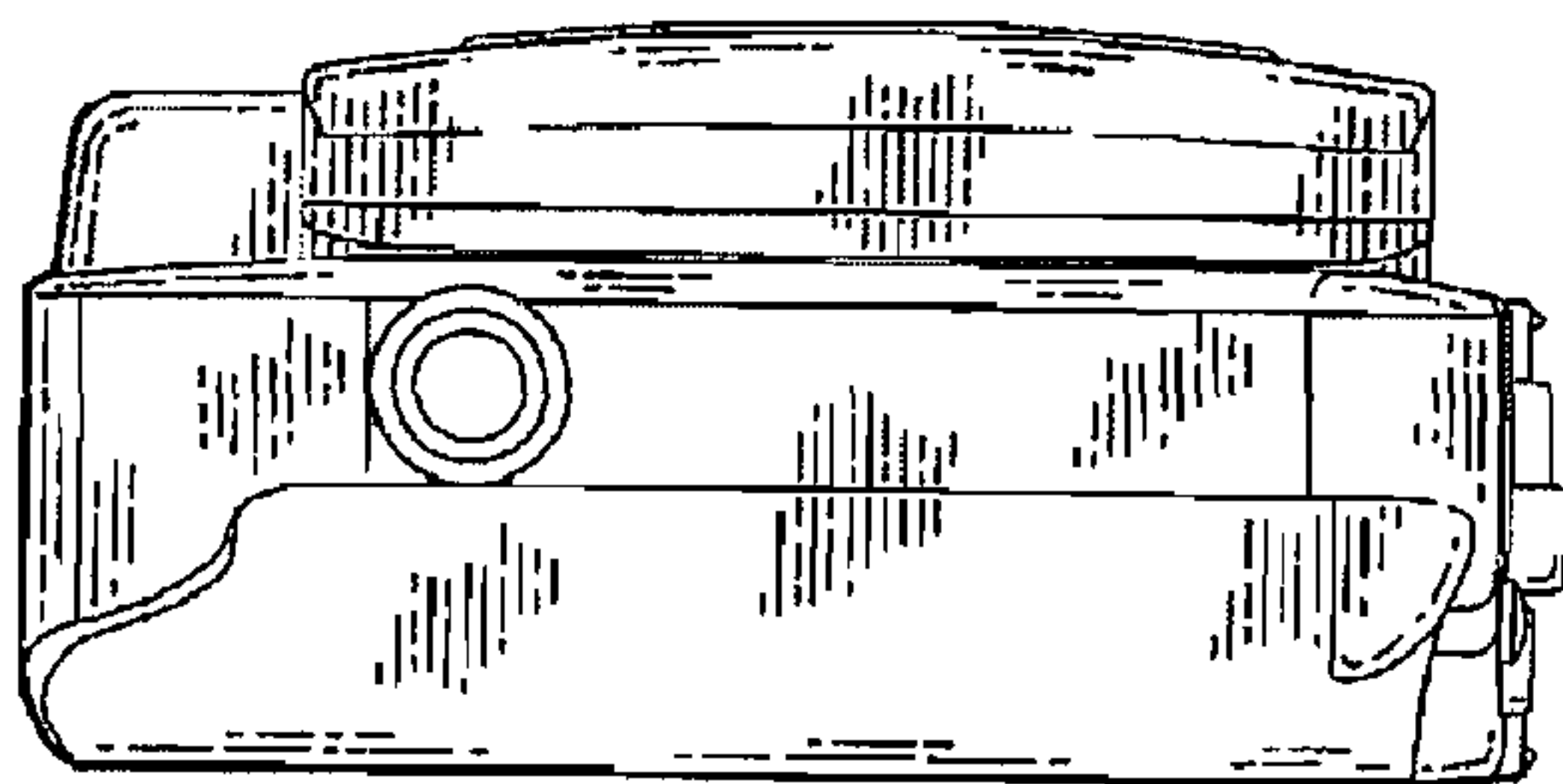


FIG.8

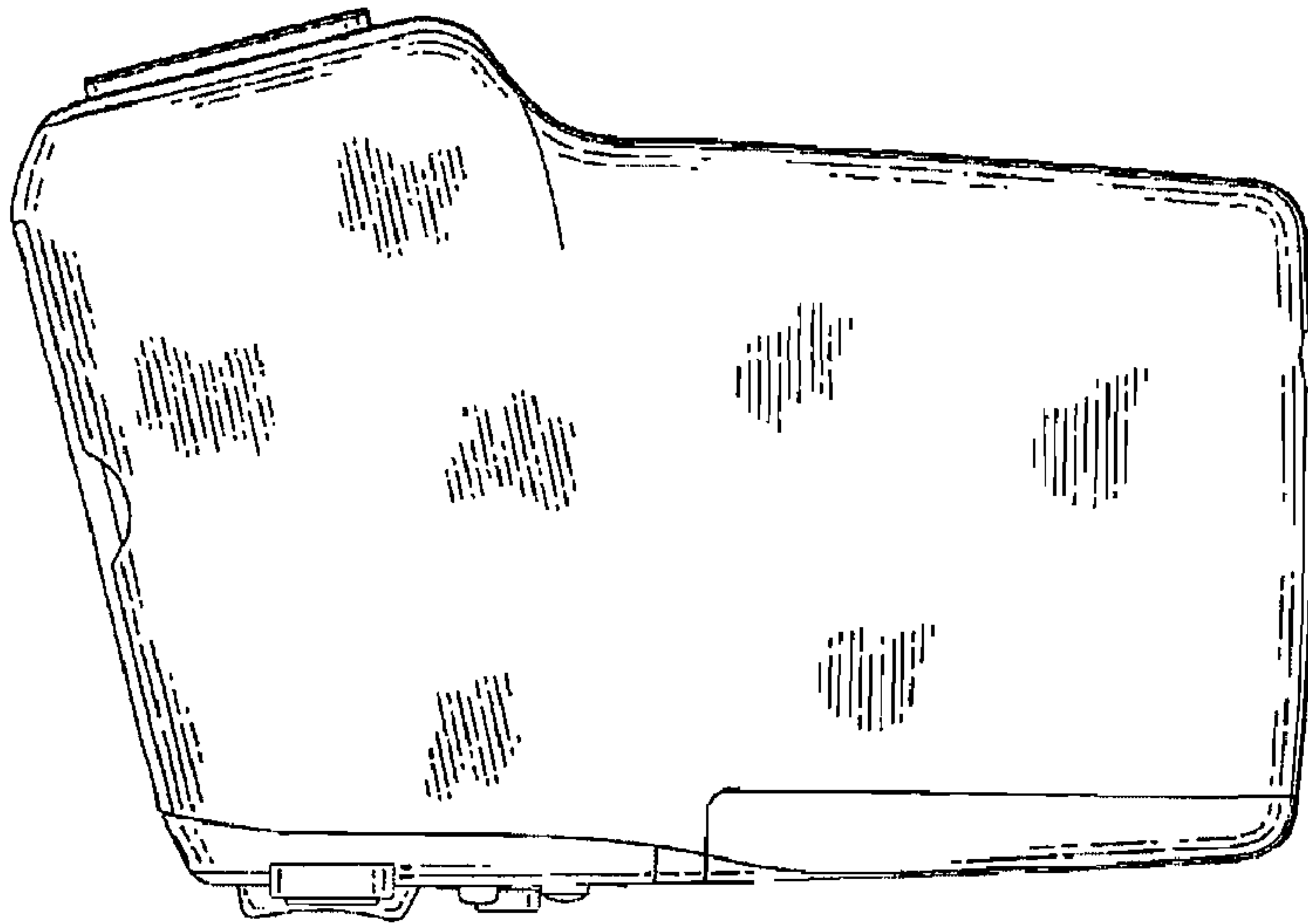


FIG.9

