



US00D563448S

(12) **United States Design Patent**  
**Yamakawa**

(10) **Patent No.:** **US D563,448 S**

(45) **Date of Patent:** **\*\* Mar. 4, 2008**

(54) **SURVEILLANCE CAMERA**

(75) Inventor: **Yasuki Yamakawa**, Kadoma (JP)

(73) Assignee: **Matsushita Electric Industrial Co., Ltd.**, Osaka (JP)

(\*\*) Term: **14 Years**

(21) Appl. No.: **29/273,788**

(22) Filed: **Mar. 13, 2007**

(30) **Foreign Application Priority Data**

Sep. 13, 2006 (JP) ..... 2006-024477

(51) **LOC (8) Cl.** ..... **16-01**

(52) **U.S. Cl.** ..... **D16/202**

(58) **Field of Classification Search** ..... D16/200–205,  
D16/208, 218; 348/143, 151, 373–376; 358/906;  
396/427, 535, 536–541

See application file for complete search history.

(56) **References Cited**

**U.S. PATENT DOCUMENTS**

D366,271 S *	1/1996	Hasegawa	.....	D16/203
D409,641 S *	5/1999	Uehara	.....	D16/202
D410,936 S *	6/1999	Isono	.....	D16/202
D446,801 S *	8/2001	Adachi et al.	.....	D16/203
6,683,654 B1 *	1/2004	Haijima	.....	348/374
6,728,480 B1 *	4/2004	Maeda et al.	.....	348/373
D489,744 S	5/2004	Muto		
D509,234 S	9/2005	Muto et al.		

D522,035 S	5/2006	Muto		
D529,063 S *	9/2006	Cheng	.....	D16/203
D540,360 S *	4/2007	Yamakawa	.....	D16/203
D543,568 S *	5/2007	Naruki	.....	D16/203
D551,275 S *	9/2007	Kim	.....	D16/203

\* cited by examiner

*Primary Examiner*—Adir Aronovich

(74) *Attorney, Agent, or Firm*—Brinks Hofer Gilson & Lione

(57) **CLAIM**

I claim the ornamental design for a surveillance camera, as shown and described.

**DESCRIPTION**

FIG. 1 is a front, top and right side perspective view of a surveillance camera of the present invention;

FIG. 2 is a front elevation view thereof;

FIG. 3 is a left side elevational view thereof;

FIG. 4 is a right side elevational view thereof;

FIG. 5 is a top plan view thereof;

FIG. 6 is a rear elevation view thereof; and,

FIG. 7 is a bottom plan view thereof.

The ornamental design which is claimed is shown in solid lines in the drawings. Any broken lines in the drawings are for illustrative purposes only and form no part of the claimed design.

**1 Claim, 7 Drawing Sheets**

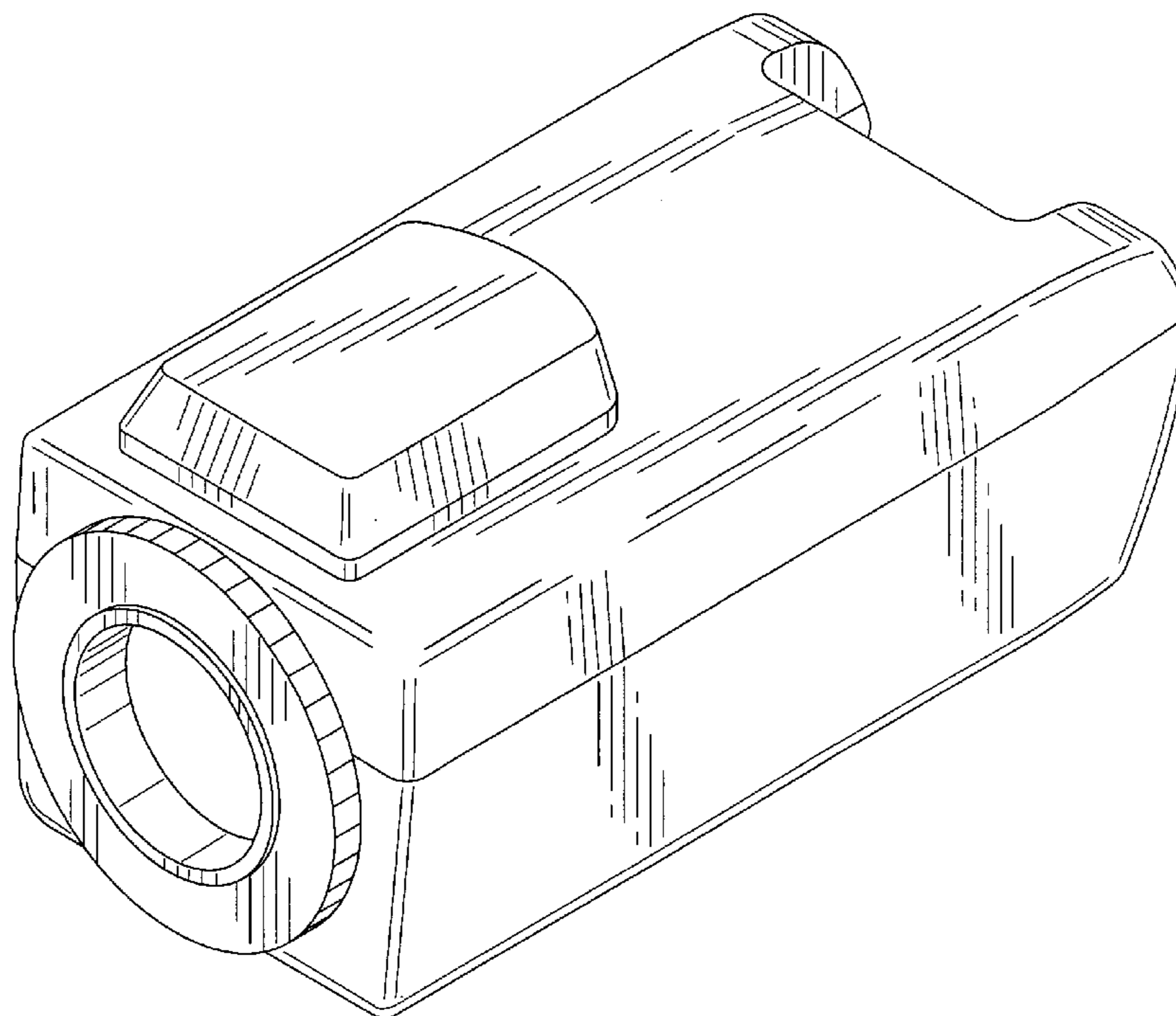


FIG.1

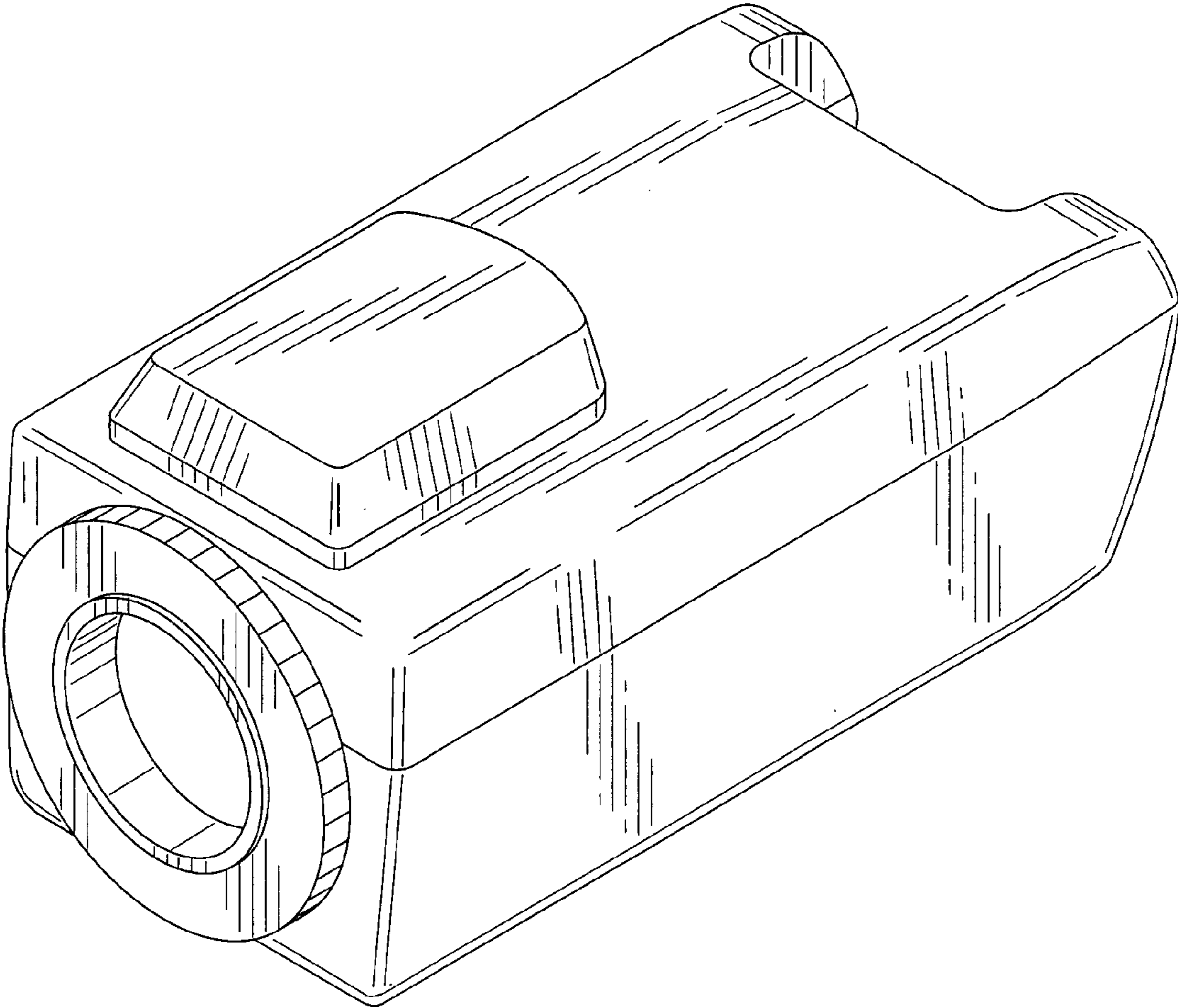


FIG.2

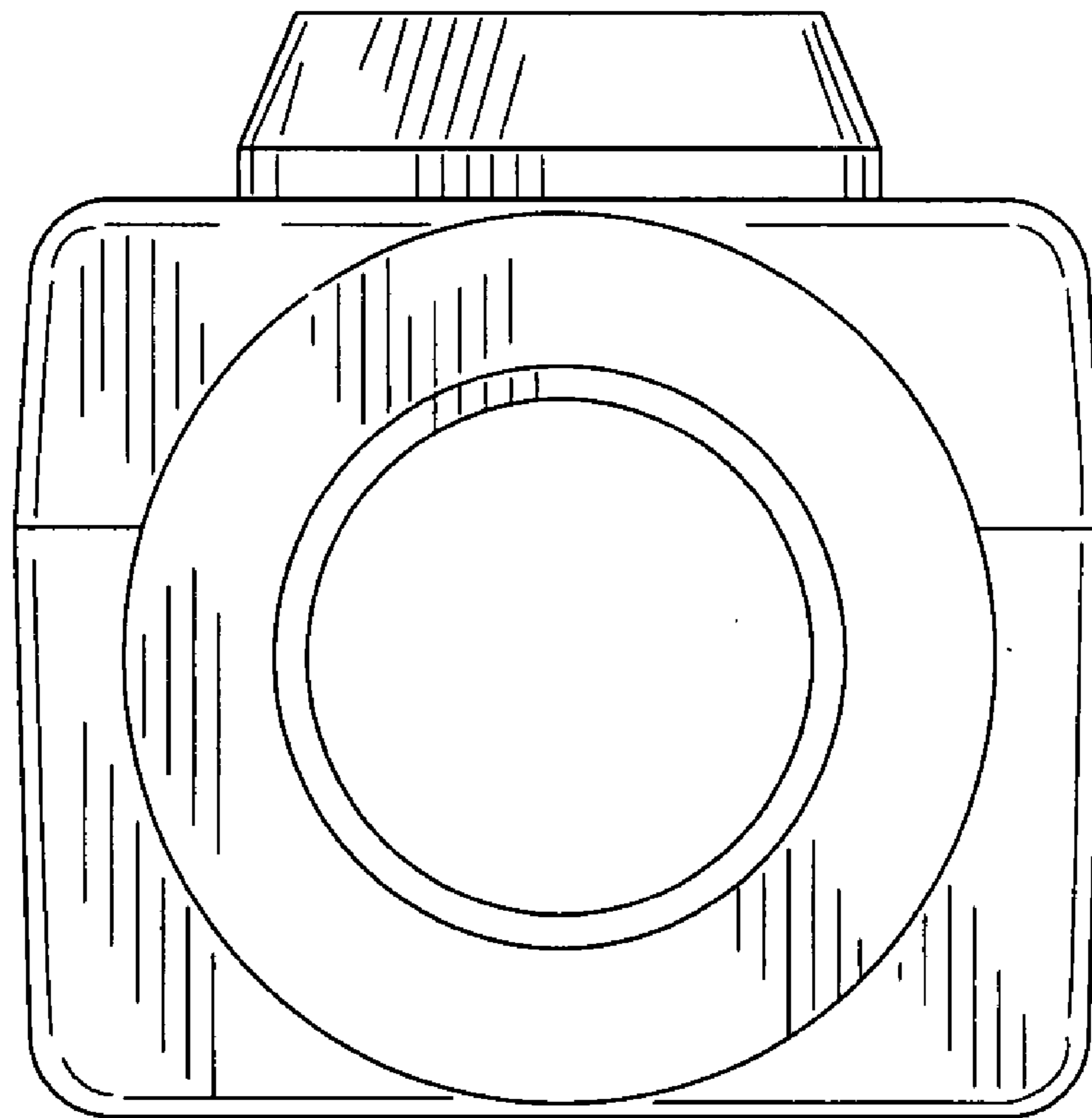


FIG.3

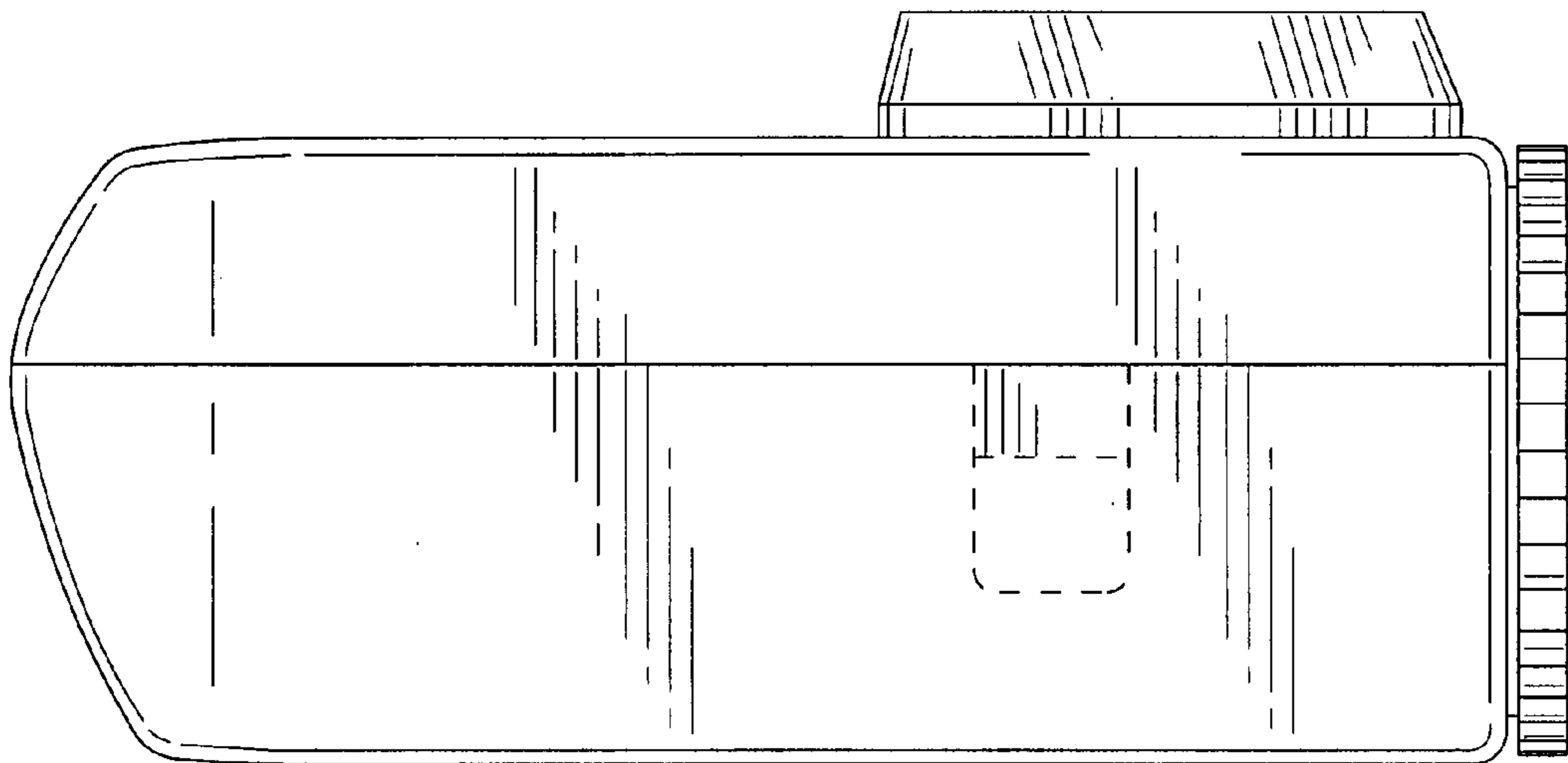


FIG.4

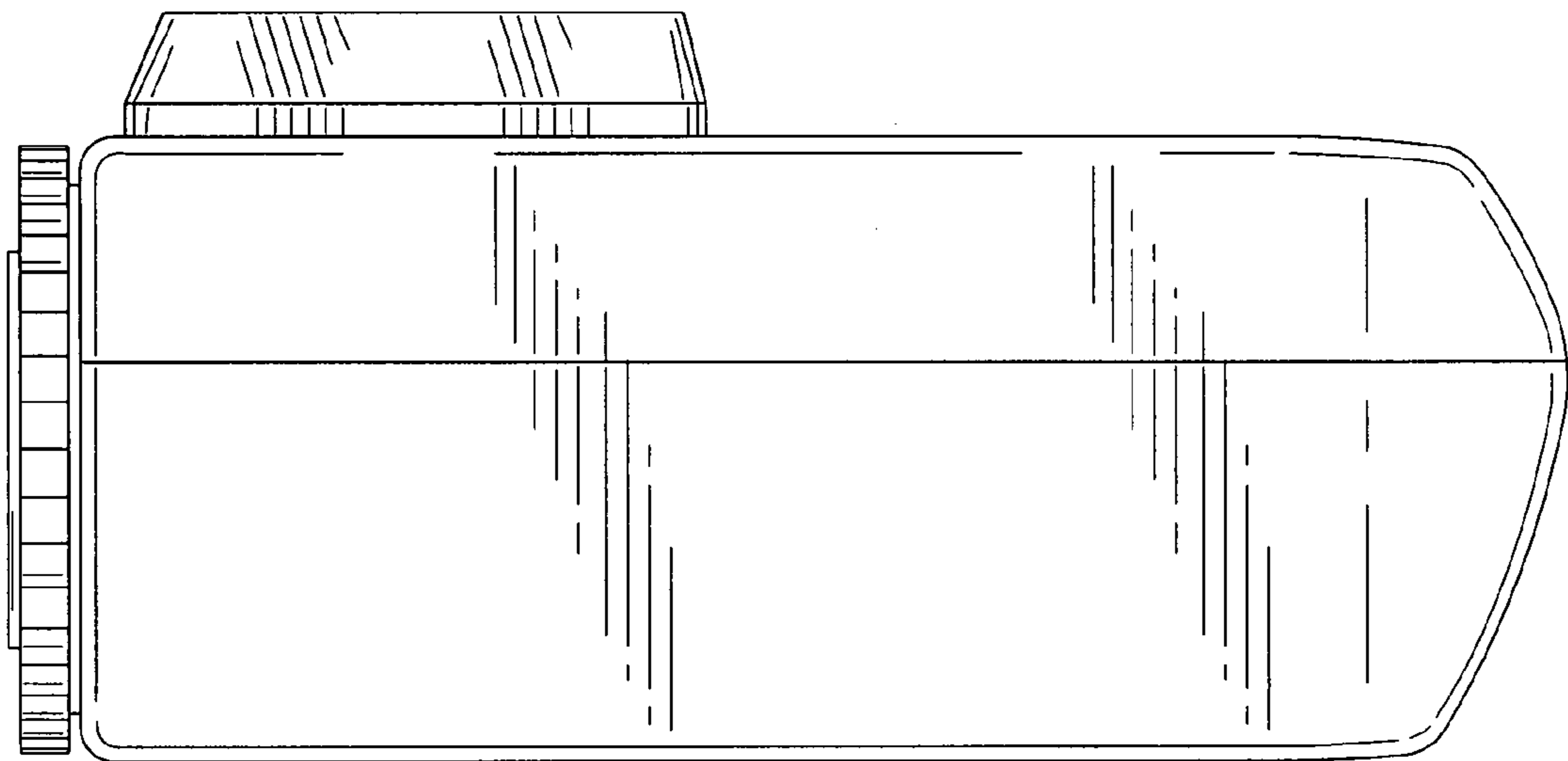


FIG.5

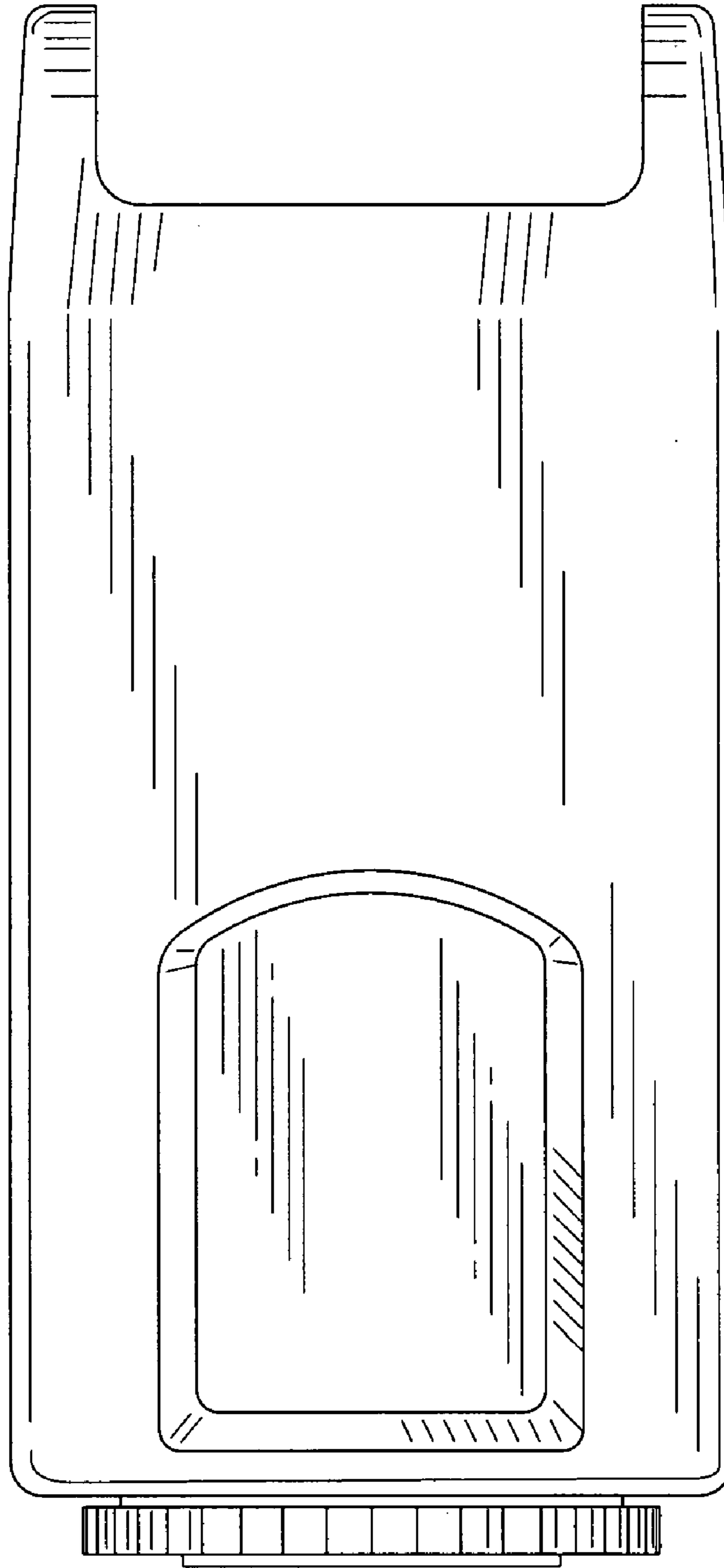


FIG.6

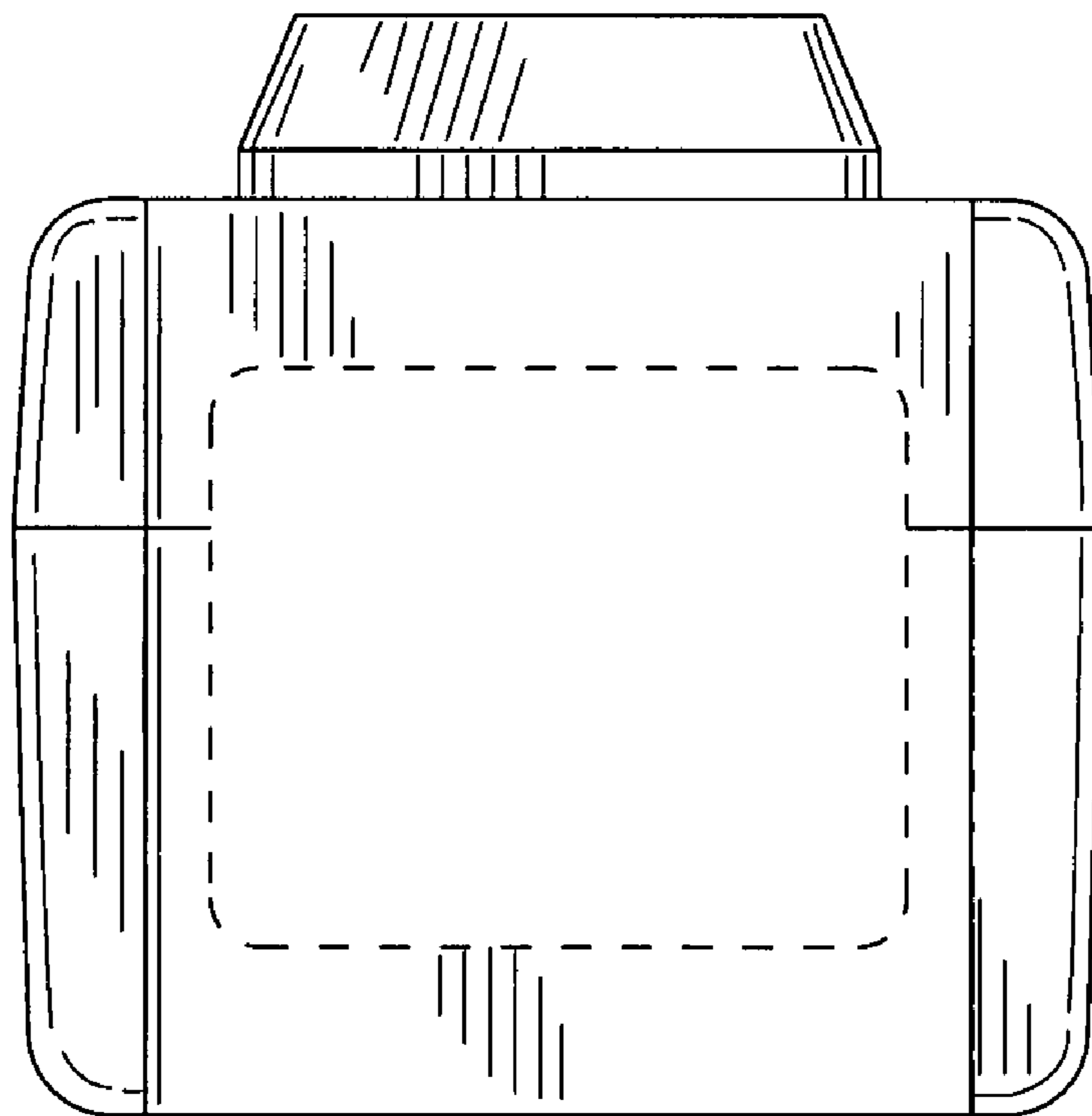


FIG.7

