



US00D563447S

(12) **United States Design Patent**
Narita et al.

(10) **Patent No.:** **US D563,447 S**
(45) **Date of Patent:** **** Mar. 4, 2008**

(54) **CAMCORDER**

(75) Inventors: **Tatsuya Narita**, Yokohama (JP); **Shuji Tanifuji**, Yokohama (JP)

(73) Assignee: **Victor Company of Japan, Limited**, Yokohama-shi, Kanagawa (JP)

(**) Term: **14 Years**

(21) Appl. No.: **29/273,266**

(22) Filed: **Mar. 2, 2007**

(30) **Foreign Application Priority Data**

Sep. 6, 2006 (JP) D2006-023771

(51) **LOC (8) Cl.** **16-01**

(52) **U.S. Cl.** **D16/202**

(58) **Field of Classification Search** D16/200–206,
D16/208, 218–219; 348/373–376; 396/535–541,
396/428–429; 358/906

See application file for complete search history.

(56) **References Cited**

U.S. PATENT DOCUMENTS

D445,816 S *	7/2001	Tanaka	D16/203
D446,799 S *	8/2001	Ohki et al.	D16/202
D460,471 S *	7/2002	Oda et al.	D16/202
D467,601 S *	12/2002	Kojima et al.	D16/202
D500,776 S *	1/2005	Miyashita	D16/202
D502,478 S *	3/2005	Iinuma et al.	D16/202
D537,463 S *	2/2007	Sadatsuki	D16/219
D542,317 S *	5/2007	Miyashita	D16/202

D544,514 S *	6/2007	Tanifuji et al.	D16/202
D546,856 S *	7/2007	Masano et al.	D16/202
D549,260 S *	8/2007	Kojima et al.	D16/202

* cited by examiner

Primary Examiner—Adir Aronovich

Assistant Examiner—Wan Laymon

(74) *Attorney, Agent, or Firm*—The Nath Law Group; Jerald L. Meyer; Derek Richmond

(57) **CLAIM**

The ornamental design for a camcorder, as shown and described.

DESCRIPTION

FIG. 1 is a front perspective view of a camcorder;

FIG. 2 is a rear perspective view thereof;

FIG. 3 is a rear perspective view thereof showing the article with its monitor panel opened;

FIG. 4 is a front view thereof;

FIG. 5 is a rear view thereof;

FIG. 6 is a left side view thereof;

FIG. 7 is a right side view thereof;

FIG. 8 is a top plan view thereof; and,

FIG. 9 is a bottom plan view thereof.

The broken line showing on the drawing disclosure is for illustrative purposes only and forms no part of the claimed design.

1 Claim, 9 Drawing Sheets

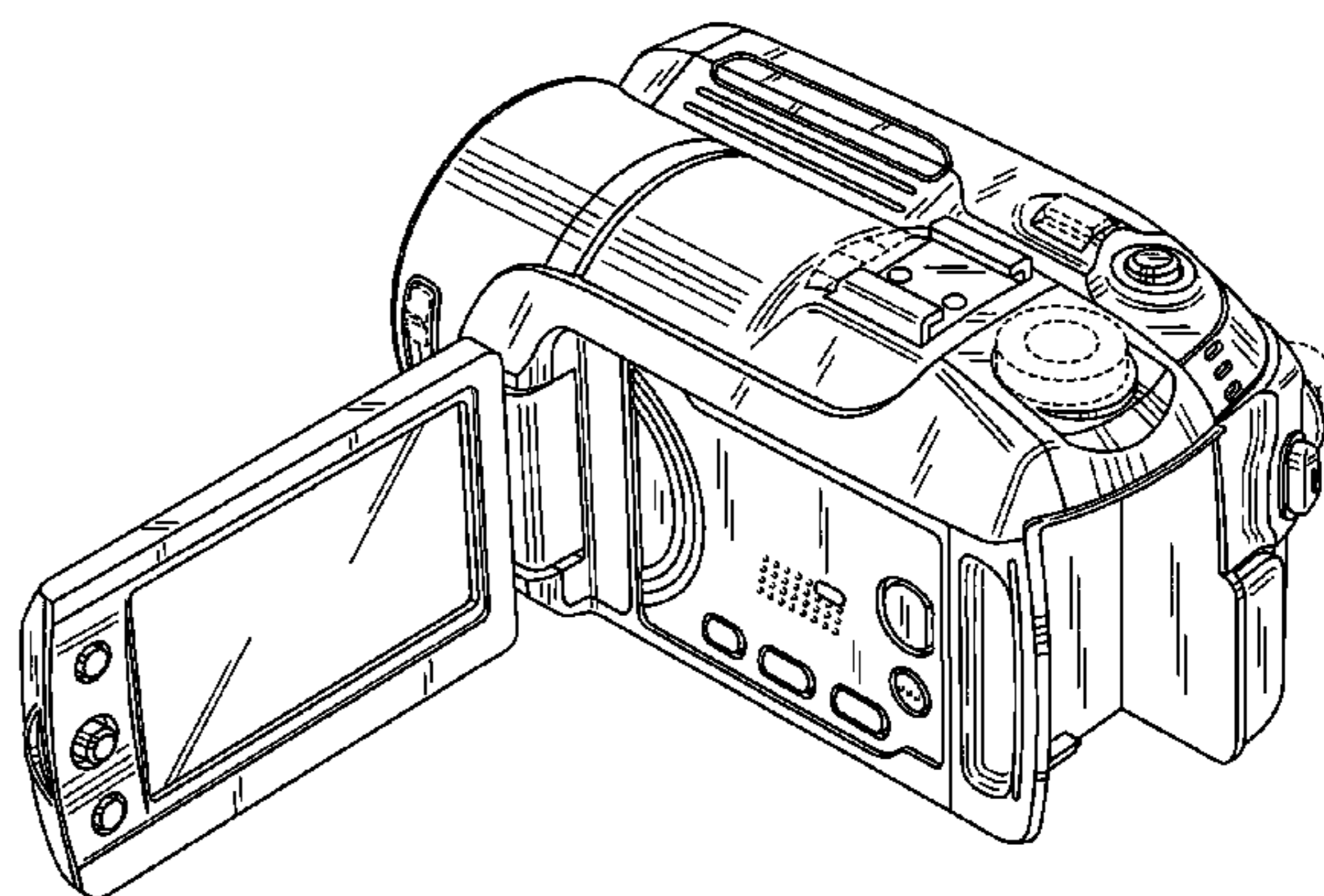
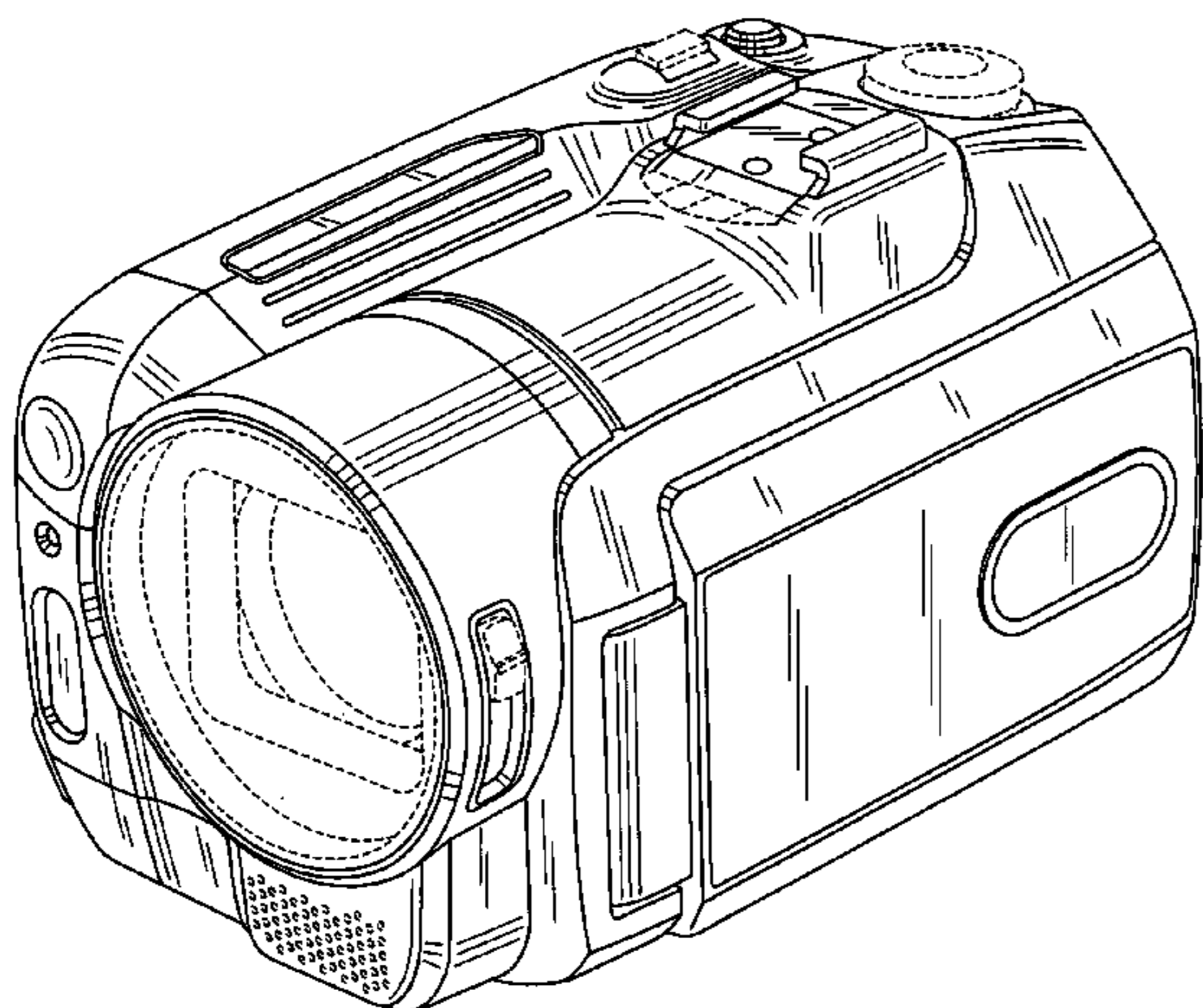


Fig.1

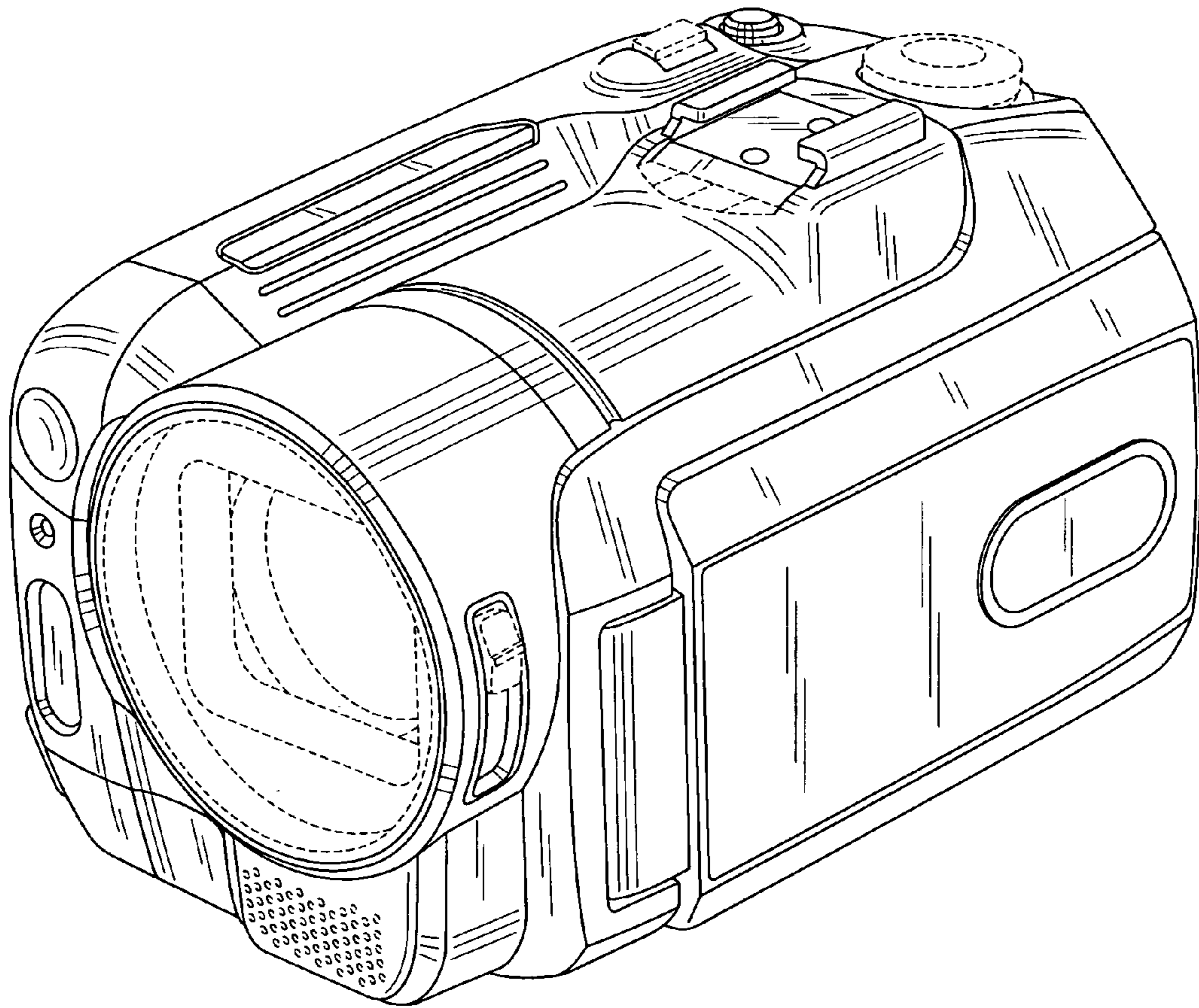


Fig.2

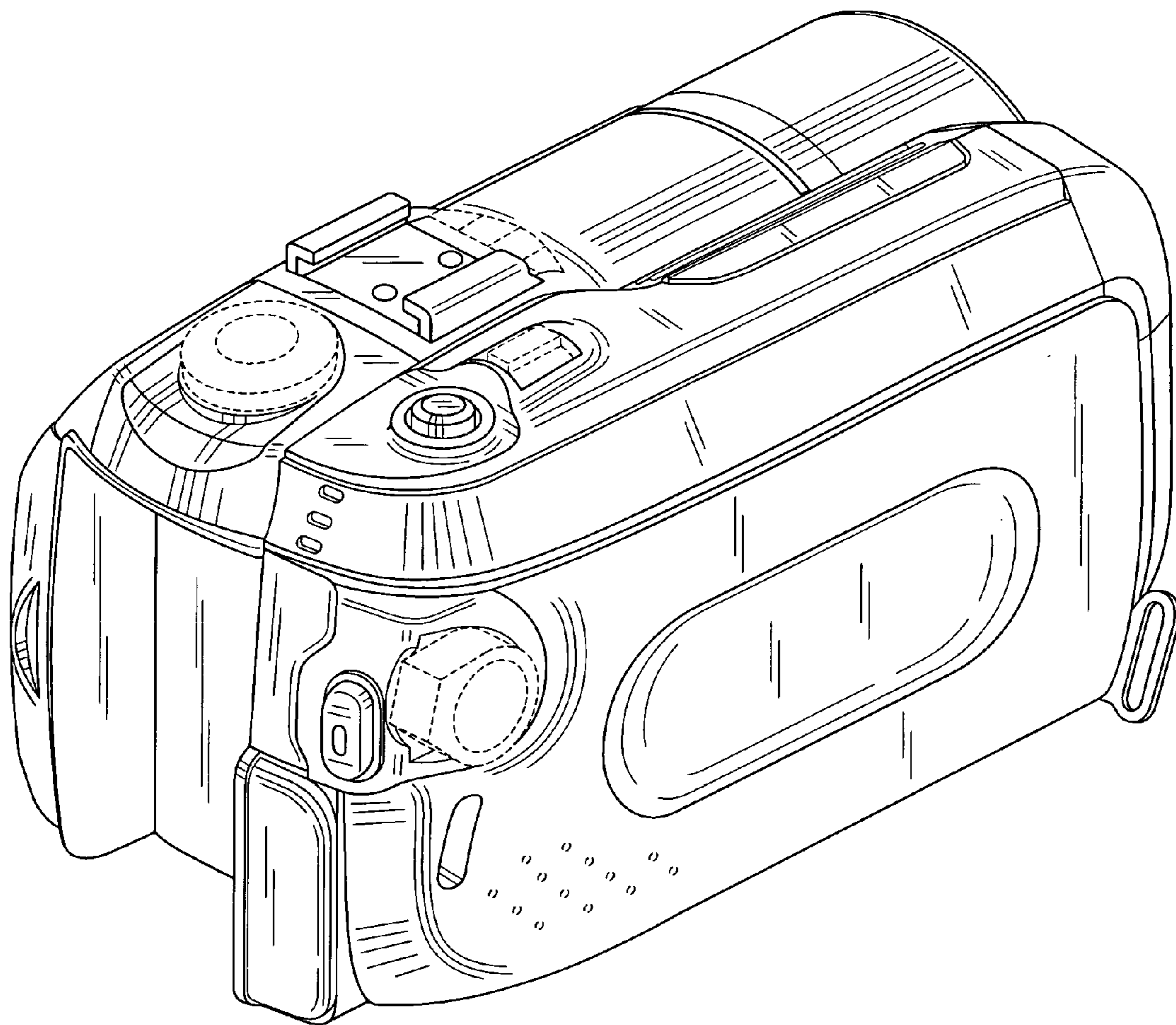


Fig.3

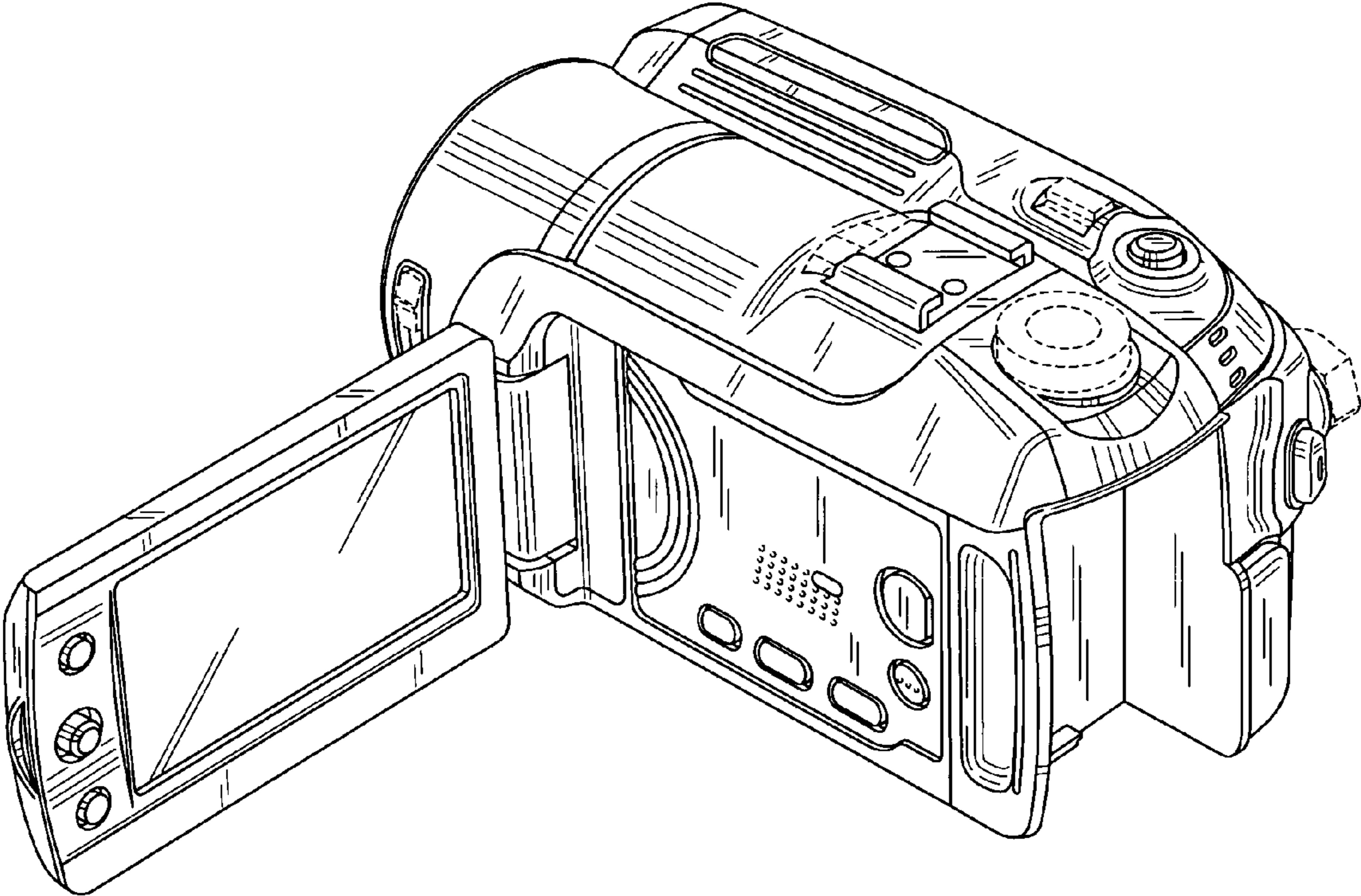


Fig.4

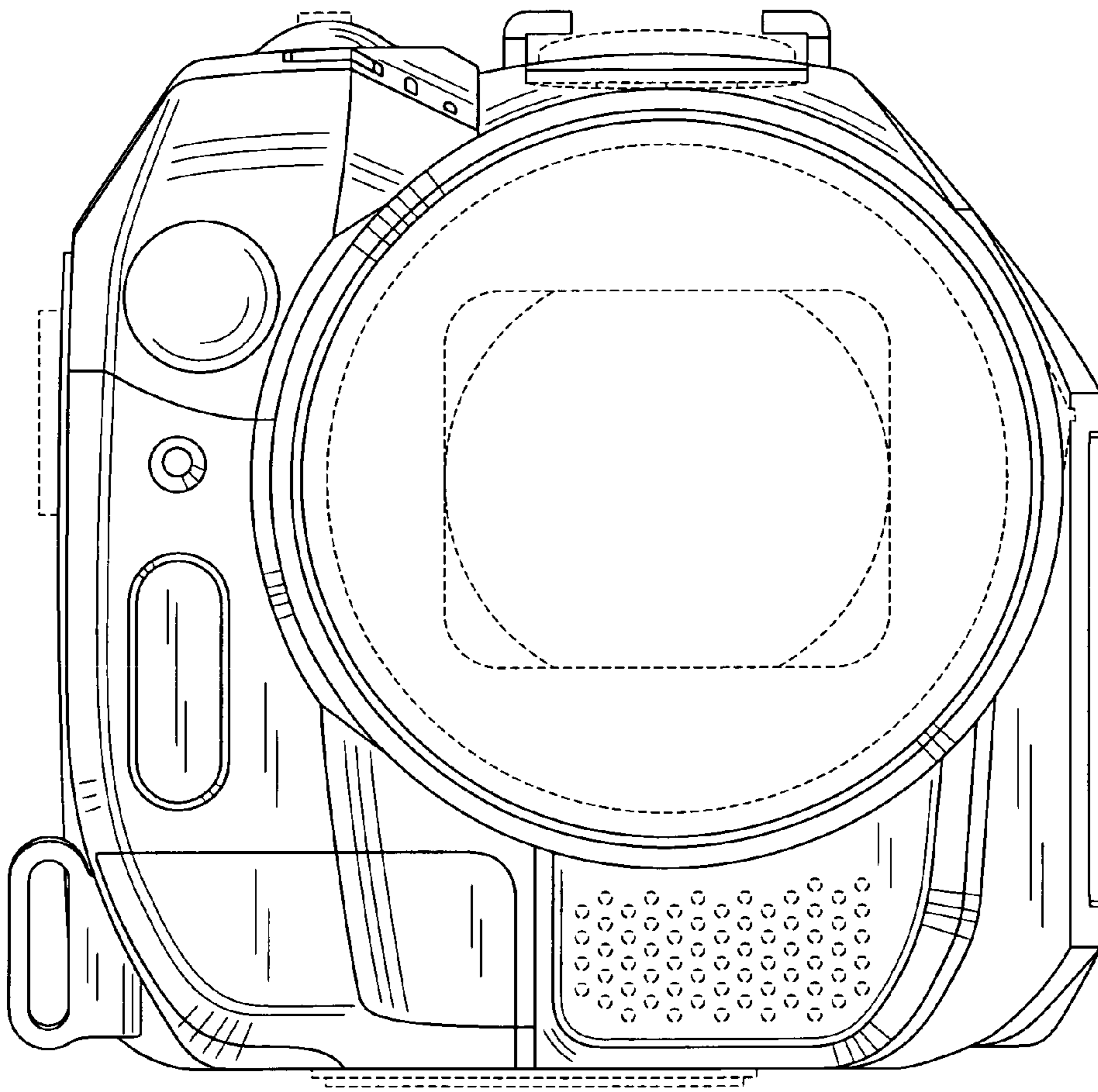


Fig.5

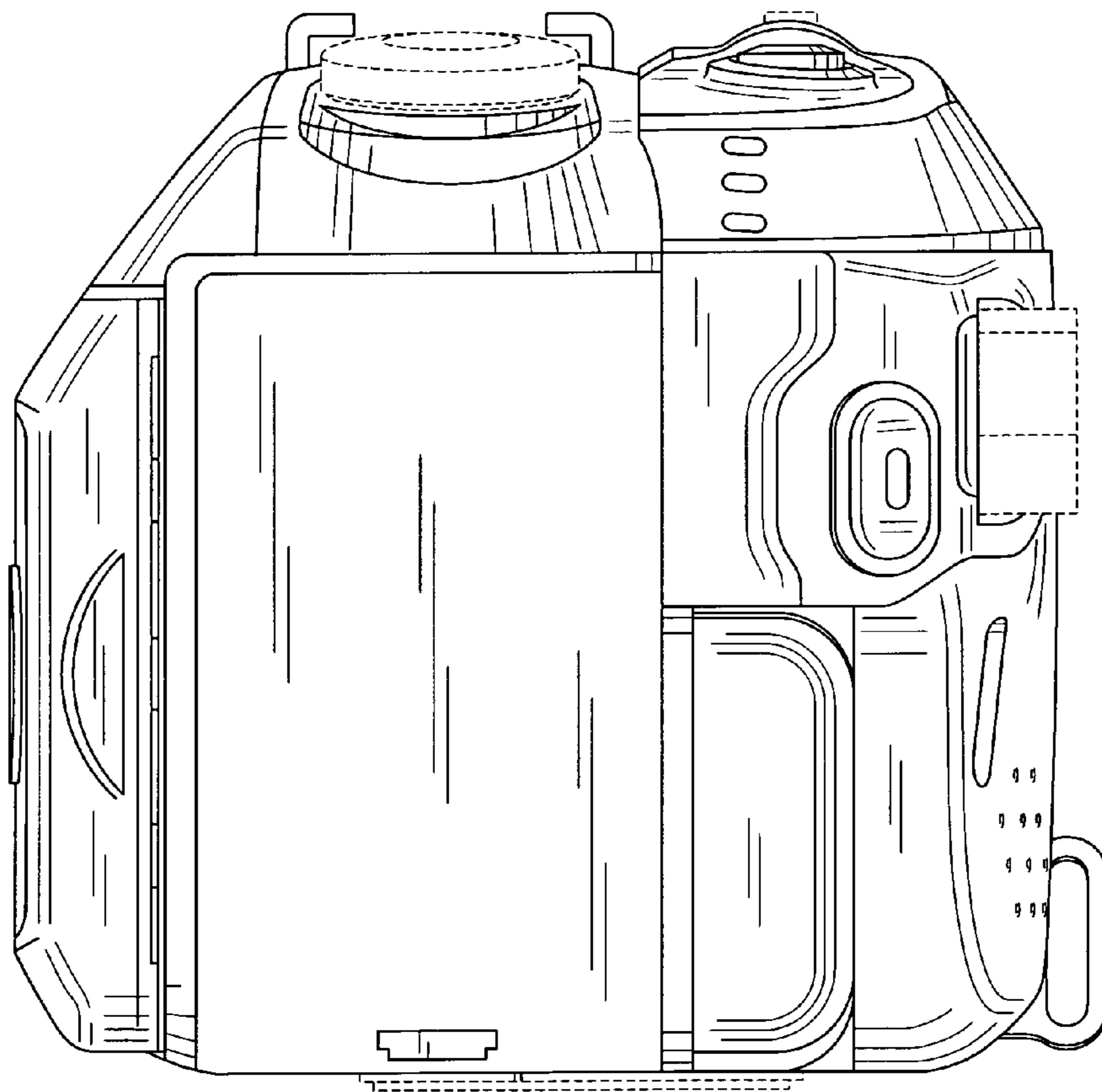


Fig.6

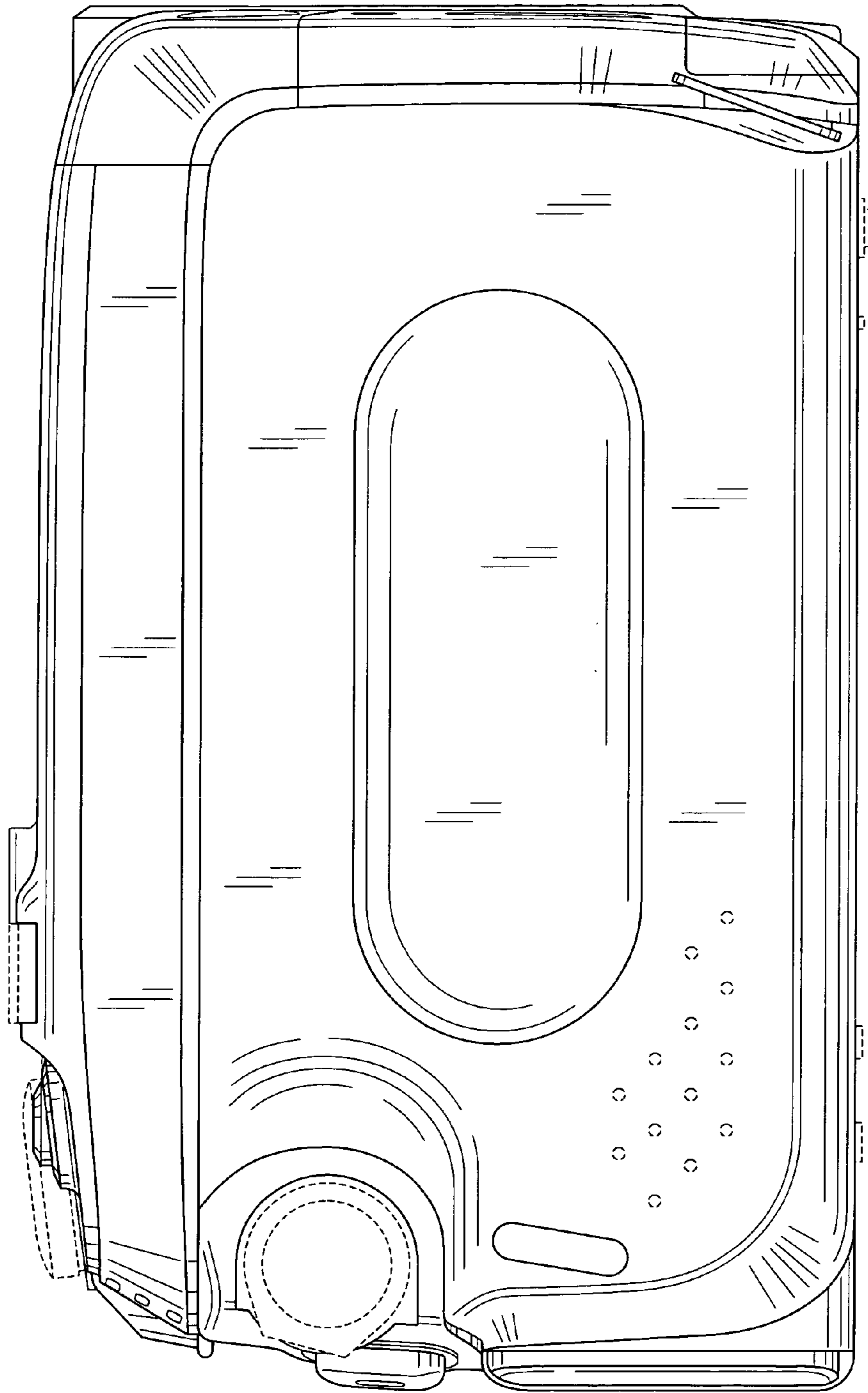


Fig. 7

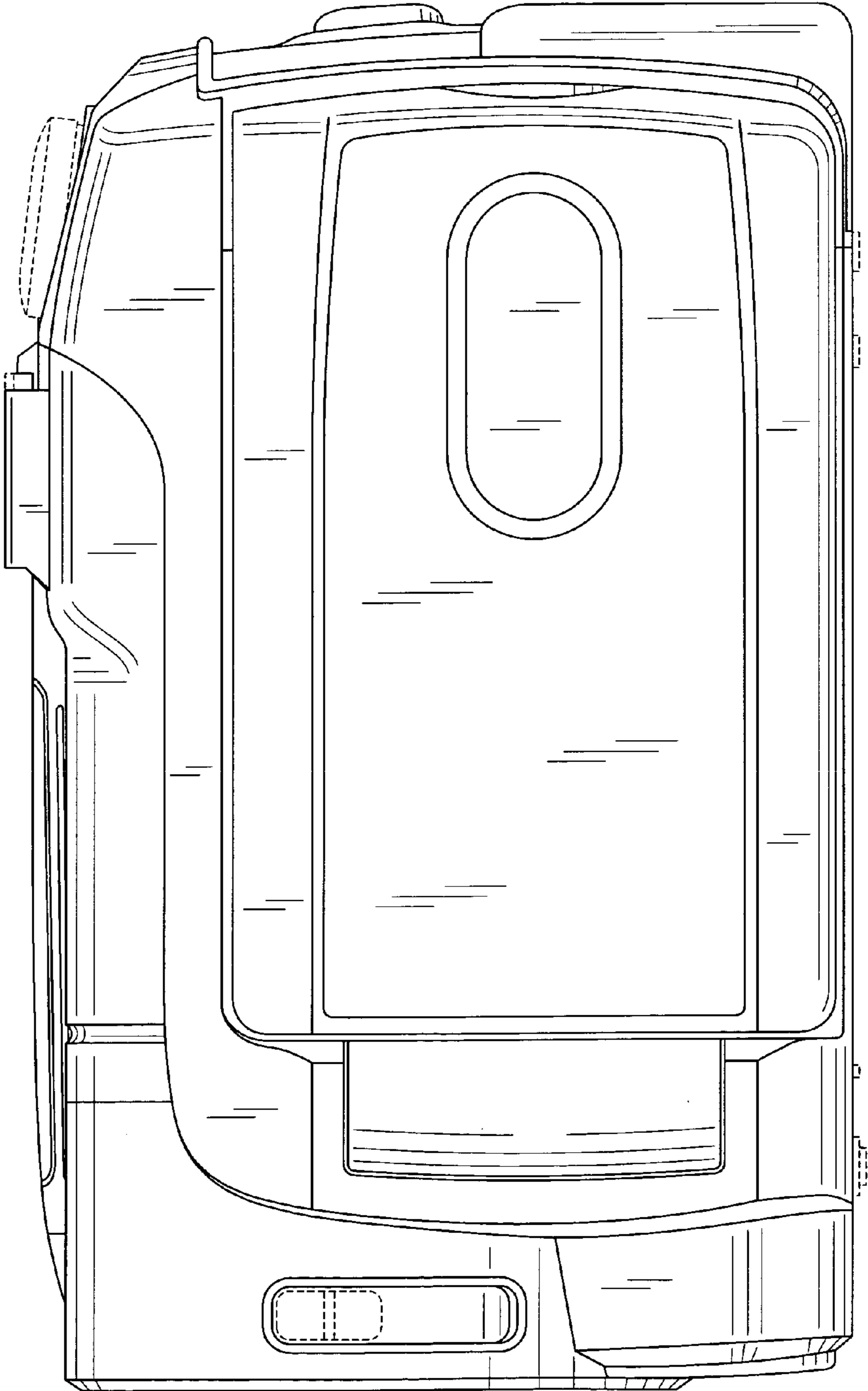


Fig. 8

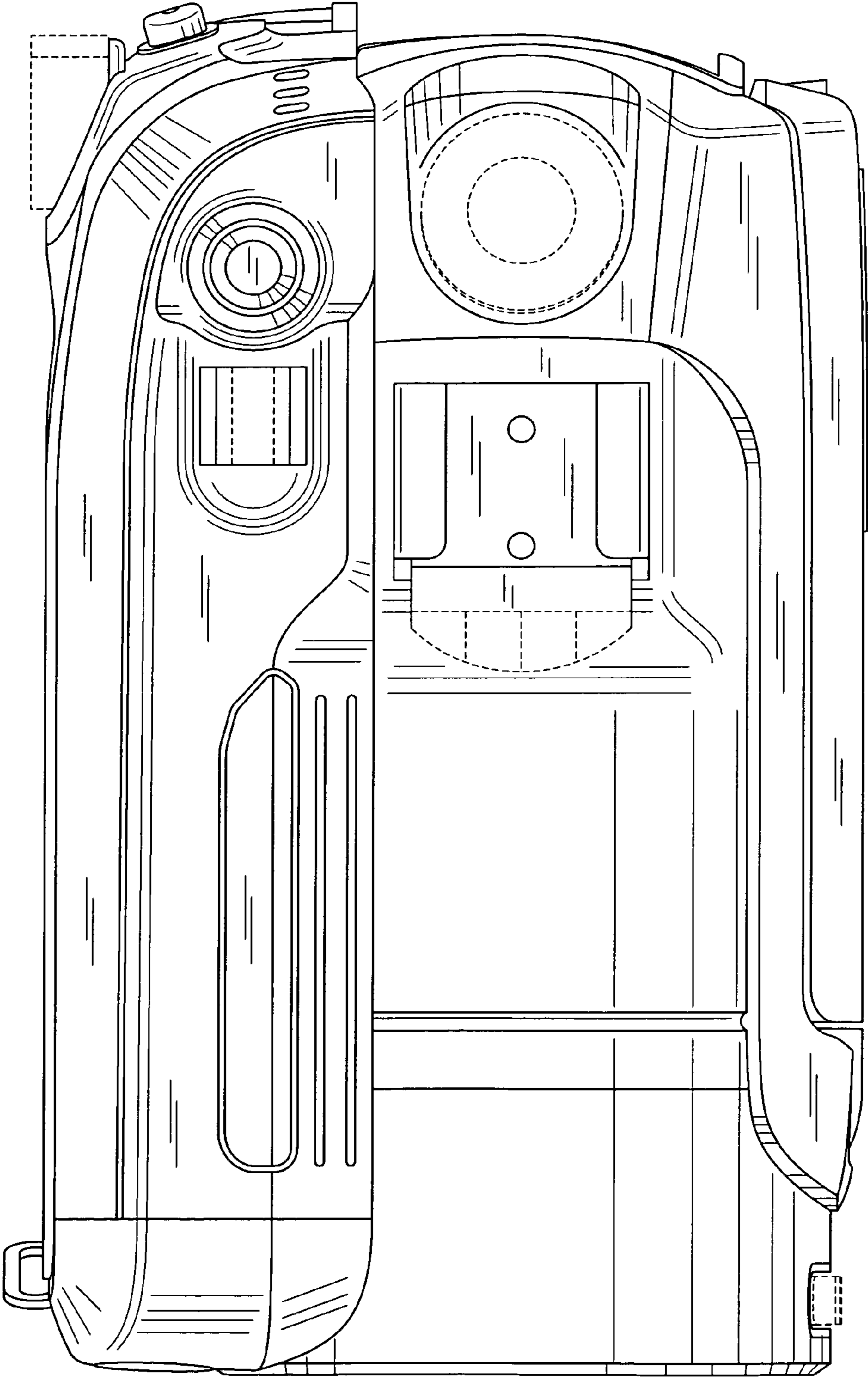


Fig.9

