



US00D563446S

(12) **United States Design Patent**
Stephens et al.

(10) **Patent No.:** **US D563,446 S**
(45) **Date of Patent:** **** Mar. 4, 2008**

(54) **WEB CAM DEVICE**

(75) Inventors: **Brian Stephens**, Co. Dublin (IE);
Laurence Massey, Dublin (IE); **Mark Martinez**, San Francisco, CA (US);
Andrew Heymann, San Jose, CA (US);
Ladan Khamsepoor, Santa Clara, CA (US); **Ya Wen Hsu**, Hsinchu (TW)

(73) Assignee: **Logitech Europe S.A.** (CH)

(**) Term: **14 Years**

(21) Appl. No.: **29/270,588**

(22) Filed: **Dec. 27, 2006**

(51) **LOC (8) Cl.** **16-01**

(52) **U.S. Cl.** **D16/202**

(58) **Field of Classification Search** D16/200–205,
D16/208, 218, 219; 348/14.01–14.1, 373–376;
248/918; 358/909.1; 396/427, 535, 536–541
See application file for complete search history.

(56) **References Cited**

U.S. PATENT DOCUMENTS

5,855,343 A * 1/1999 Krekelberg 248/918
D451,939 S * 12/2001 Roh D16/202
D478,922 S * 8/2003 Han D16/202

6,845,954 B1 * 1/2005 Moayer et al. 348/373
D507,007 S * 7/2005 Sitoh et al. D16/202
D523,050 S * 6/2006 Bahroocha et al. D16/202
D523,887 S * 6/2006 Sitoh et al. D16/202
D537,095 S * 2/2007 Alden et al. D16/219
2006/0170817 A1 * 8/2006 Wu 348/373

* cited by examiner

Primary Examiner—Adir Aronovich

(74) *Attorney, Agent, or Firm*—Townsend and Townsend
and Crew LLP

(57) **CLAIM**

The ornamental design for the web cam device, as shown
and described.

DESCRIPTION

FIG. 1 is a front and left side perspective view of a web cam
device showing my new design;

FIG. 2 is a front elevational view thereof;

FIG. 3 is a rear elevational view thereof;

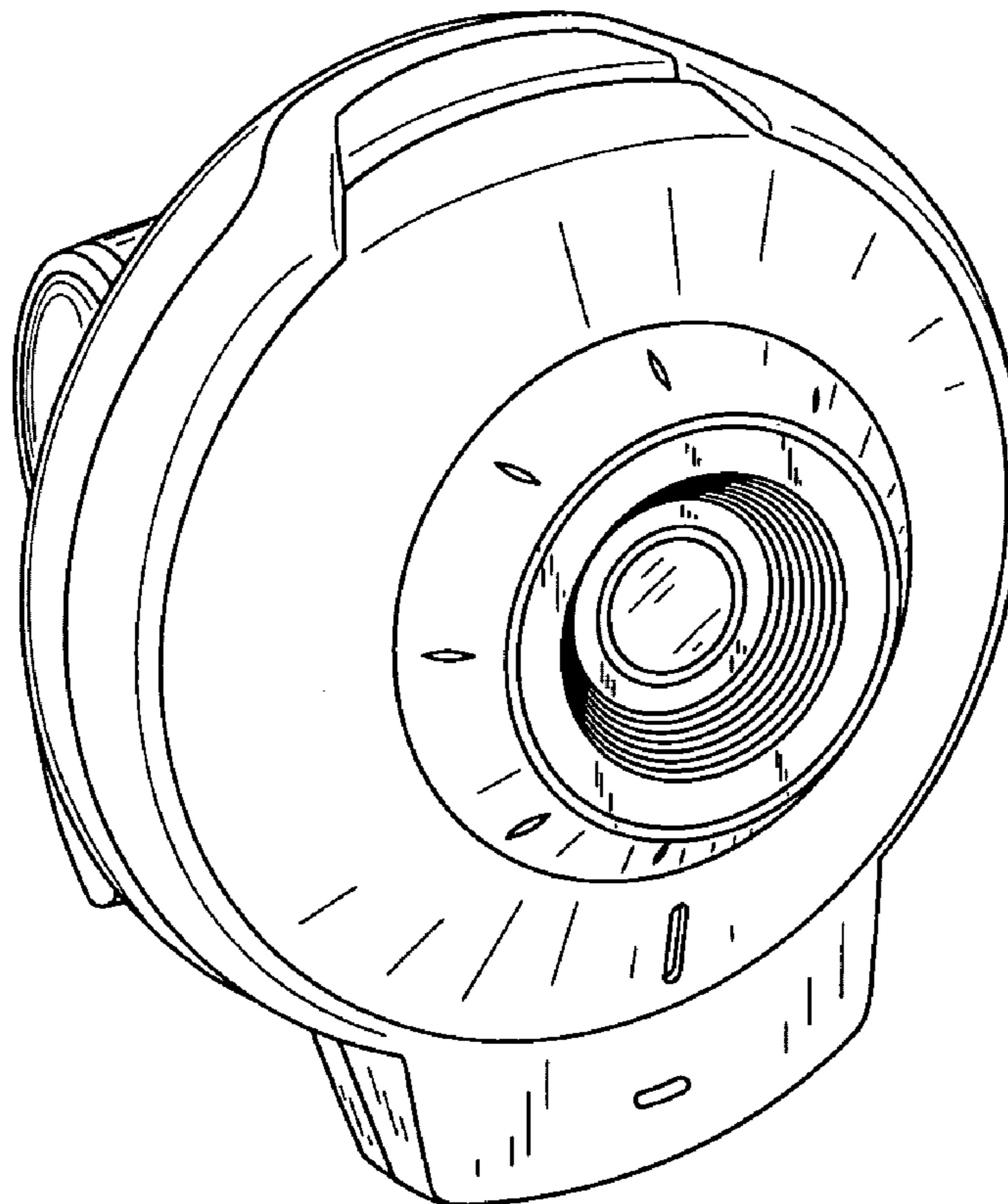
FIG. 4 a left side elevational view thereof;

FIG. 5 is a right side elevational thereof

FIG. 6 a top plan view thereof; and,

FIG. 7 is a bottom plan view thereof.

1 Claim, 4 Drawing Sheets



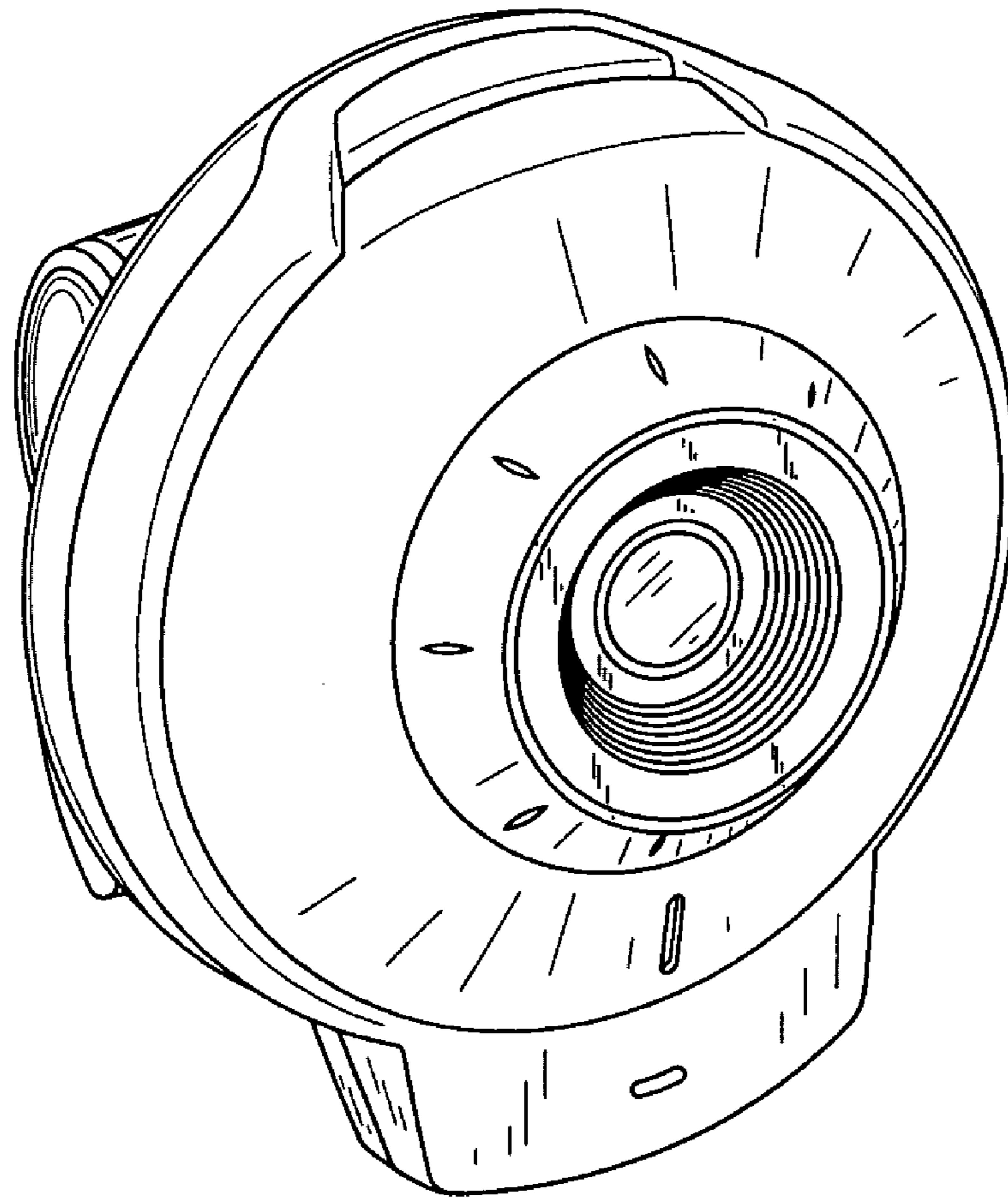


FIG. 1

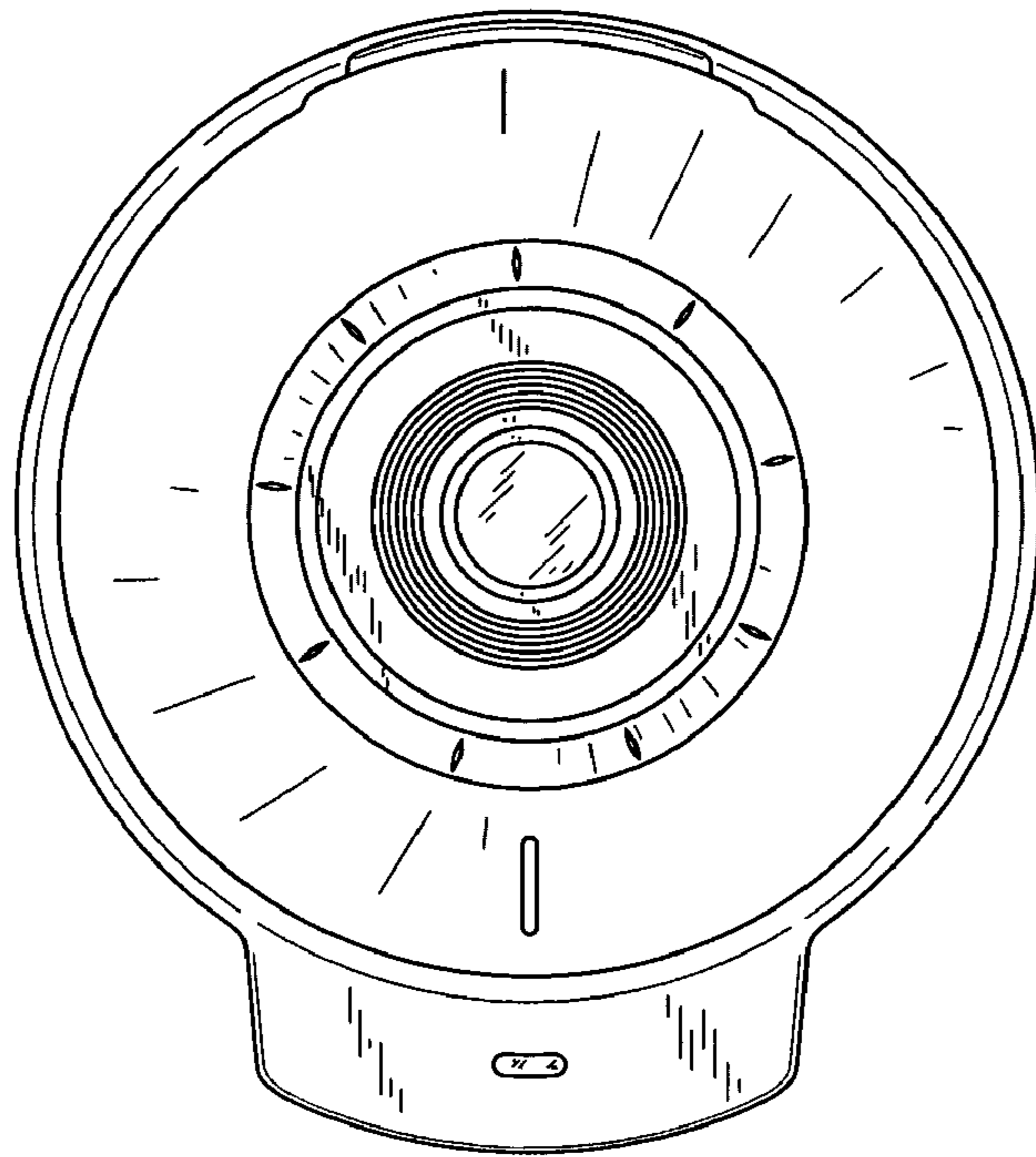


FIG. 2

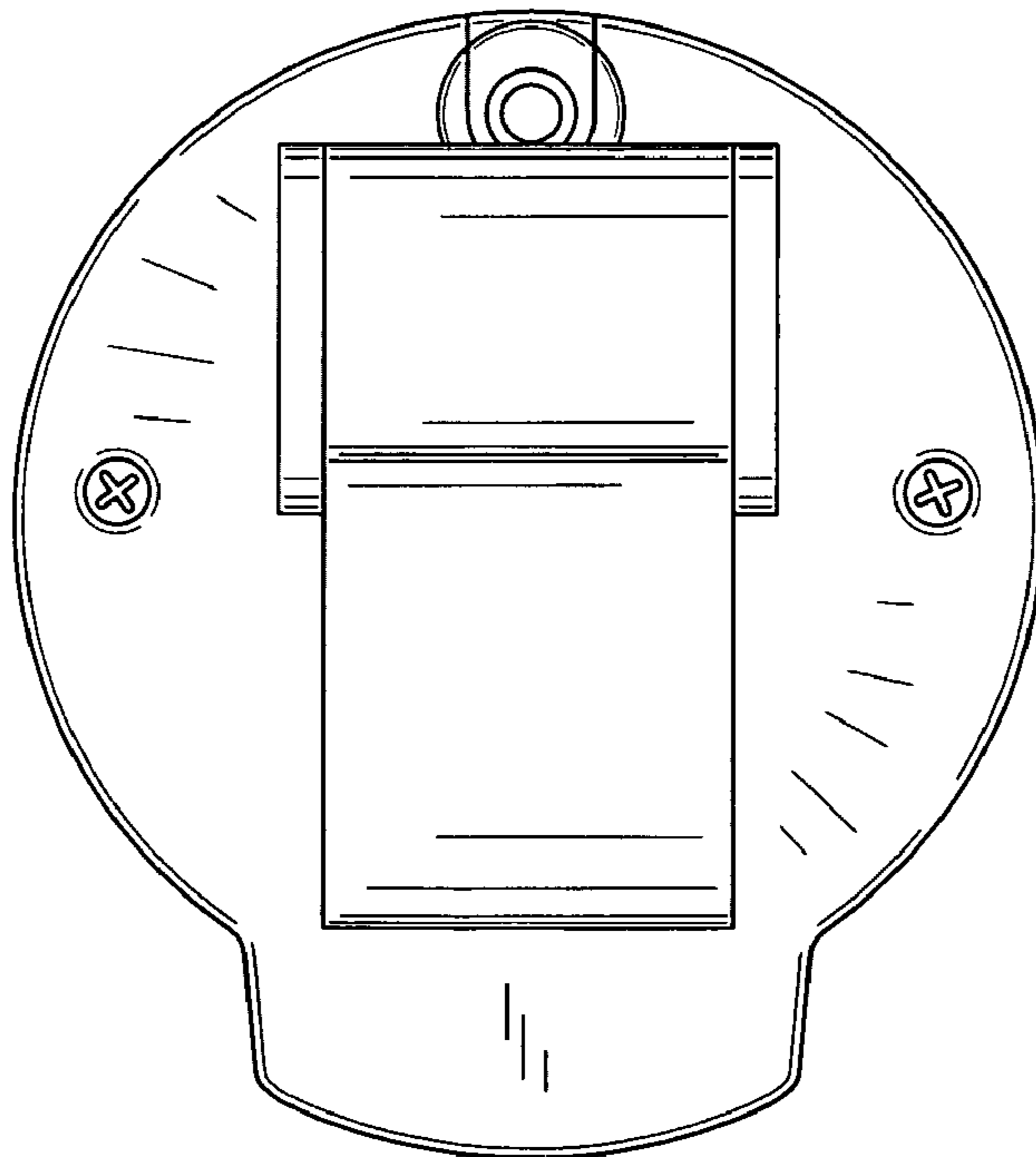


FIG. 3

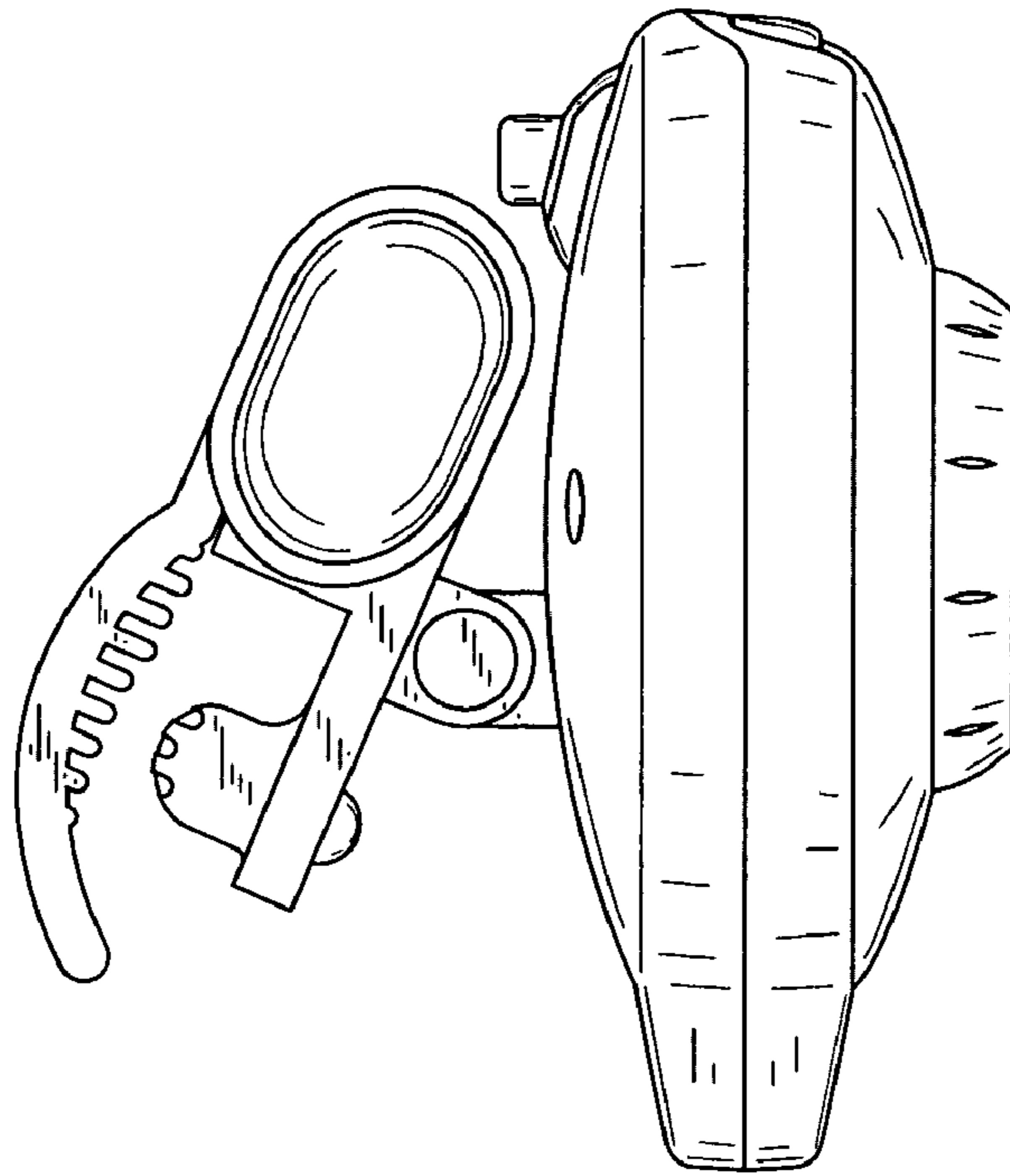


FIG. 4

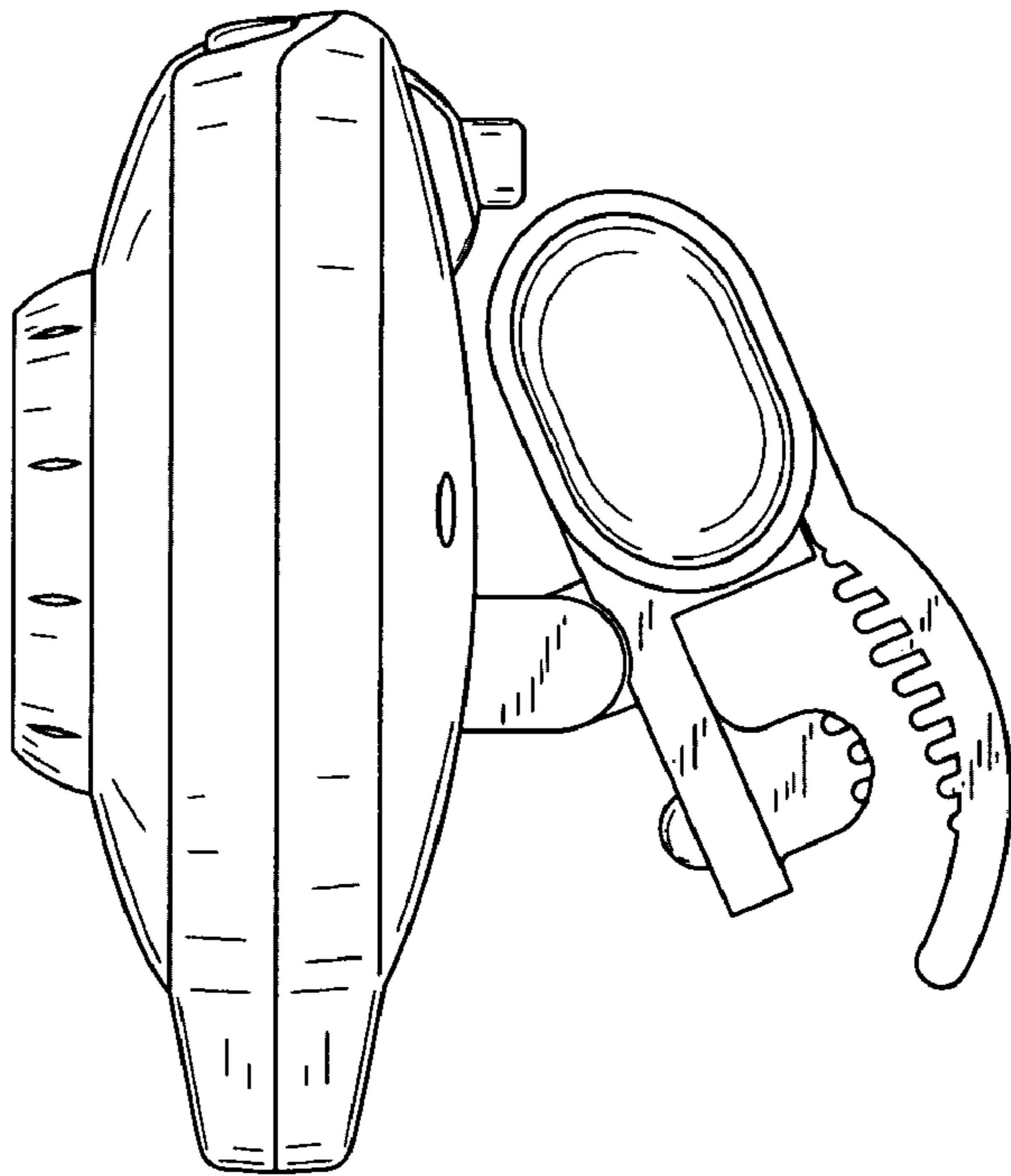


FIG. 5

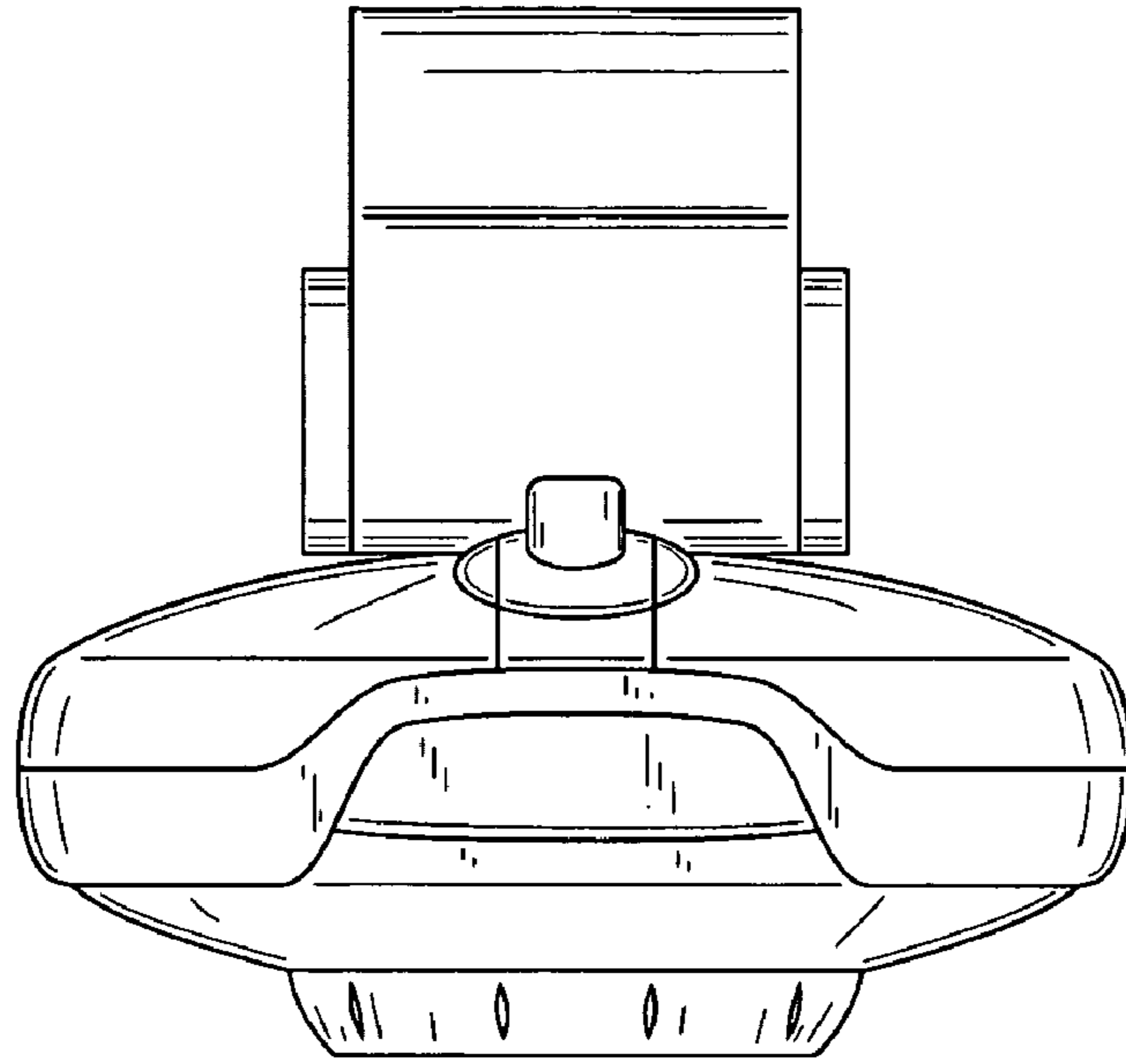


FIG. 6

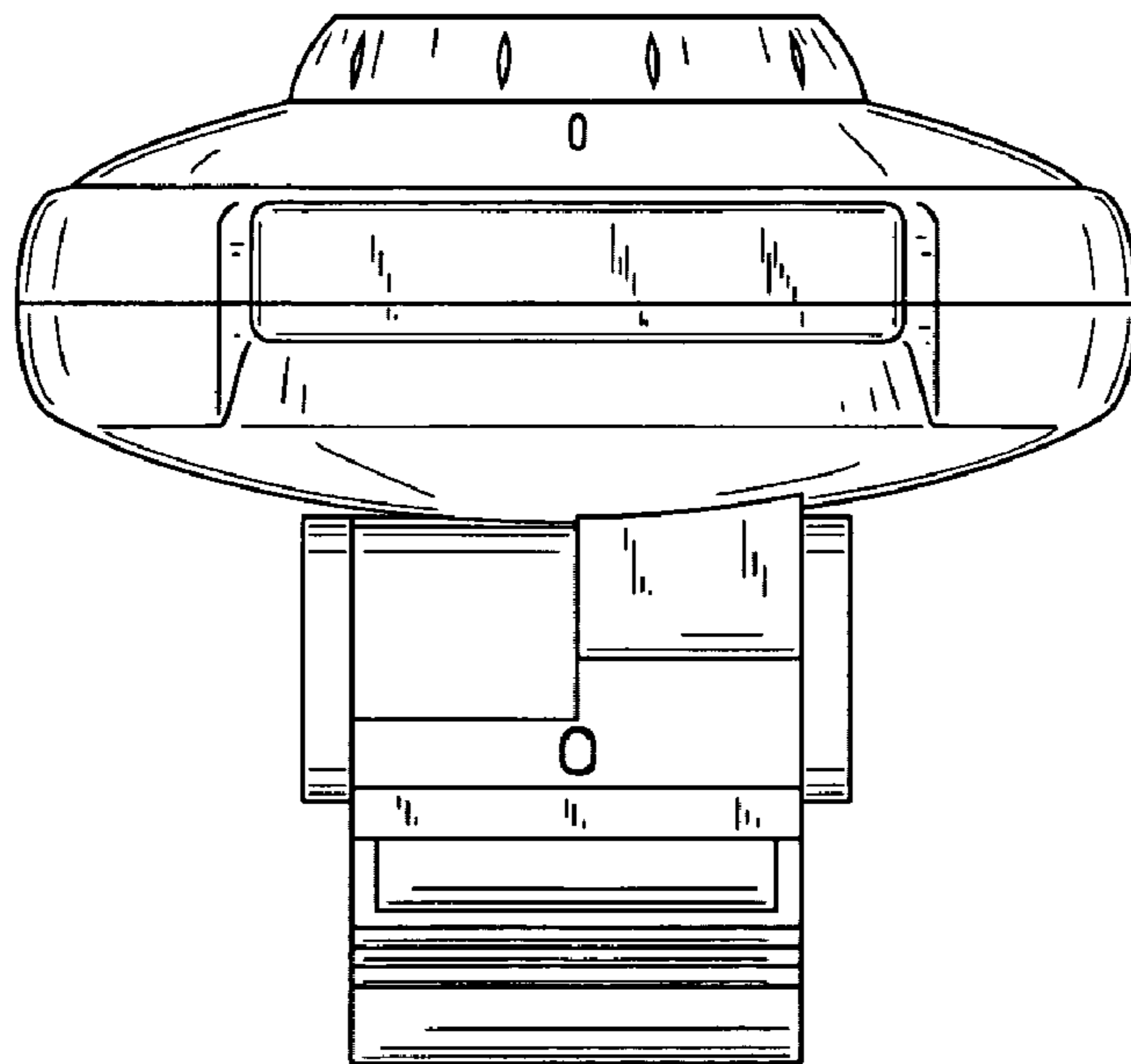


FIG. 7