



US00D563445S

(12) **United States Design Patent**  
**Sakai**

(10) **Patent No.:** **US D563,445 S**  
(45) **Date of Patent:** **\*\* Mar. 4, 2008**

(54) **ELECTRONIC CAMERA**  
(75) Inventor: **Hiroyuki Sakai**, Tokyo (JP)  
(73) Assignee: **Fujifilm Corporation**, Tokyo (JP)  
(\*\*) Term: **14 Years**  
(21) Appl. No.: **29/268,113**  
(22) Filed: **Oct. 31, 2006**

(30) **Foreign Application Priority Data**  
Jun. 22, 2006 (JP) ..... 2006-016225

(51) **LOC (8) Cl.** ..... **16-01**  
(52) **U.S. Cl.** ..... **D16/202; D16/206**  
(58) **Field of Classification Search** ..... D16/200–206,  
D16/208, 217, 218; 348/373–376; 396/176,  
396/177, 354–359, 535, 540, 541  
See application file for complete search history.

(56) **References Cited**

**U.S. PATENT DOCUMENTS**

D447,500 S \* 9/2001 Funato ..... D16/206  
6,393,225 B1 \* 5/2002 Yamada ..... 396/535  
D474,793 S \* 5/2003 Yoshida ..... D16/202  
D481,052 S \* 10/2003 Ogura ..... D16/202  
D493,809 S \* 8/2004 Ogura ..... D16/202  
D497,173 S \* 10/2004 Ogura ..... D16/202

6,809,773 B1 \* 10/2004 Watarai et al. .... 348/373  
D528,580 S \* 9/2006 Sumita ..... D16/202  
D547,783 S \* 7/2007 Sakai ..... D16/202  
2006/0072916 A1 \* 4/2006 Liu ..... 396/177

\* cited by examiner

*Primary Examiner*—Adir Aronovich  
(74) *Attorney, Agent, or Firm*—Young & Thompson

(57) **CLAIM**

The ornamental design for an electronic camera, as shown.

**DESCRIPTION**

FIG. 1 is a top, front and left side perspective view of an electronic camera showing my new design;  
FIG. 2 is a front elevational view thereof;  
FIG. 3 is a rear elevational view thereof;  
FIG. 4 is a top plan view thereof;  
FIG. 5 is a bottom plan view thereof;  
FIG. 6 is a side elevational view thereof from the left of FIG. 2;  
FIG. 7 is a side elevational view thereof from the right of FIG. 2; and,  
FIG. 8 is a top, front and right side perspective view thereof.

**1 Claim, 4 Drawing Sheets**



FIG. 1



FIG. 2



FIG. 3



FIG. 4



FIG. 5



FIG. 6

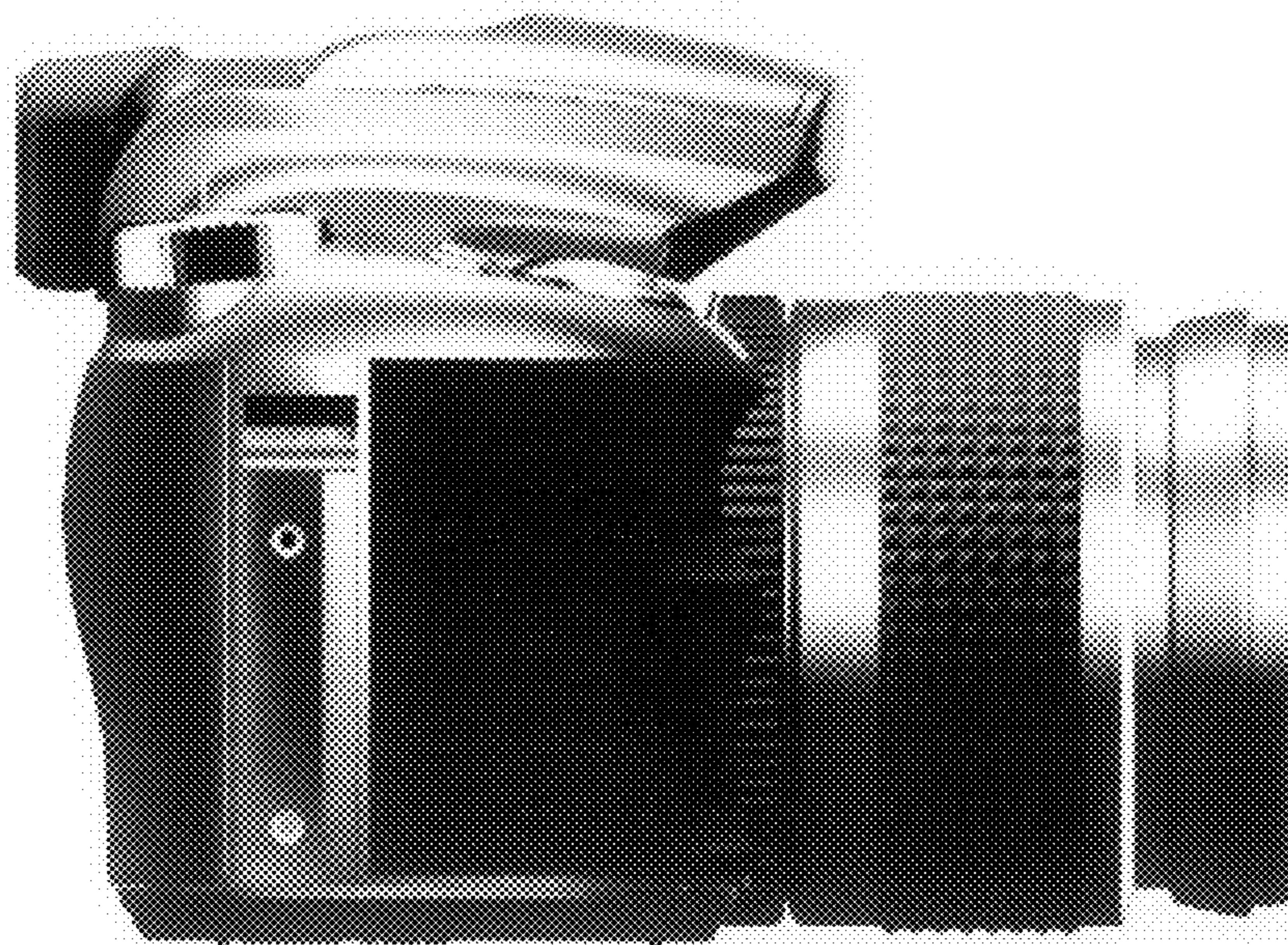


FIG. 7

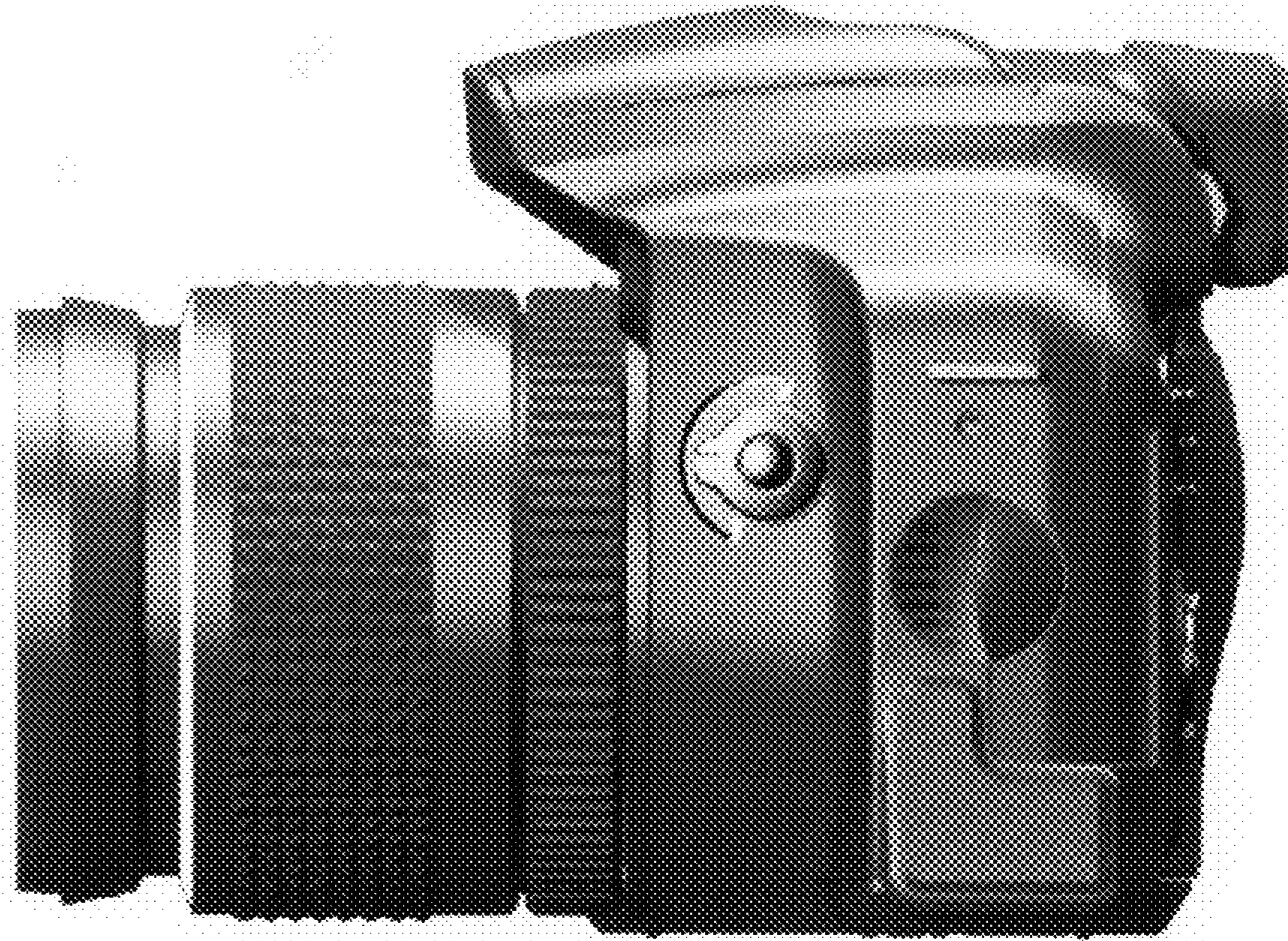


FIG. 8

