



US00D563444S

(12) **United States Design Patent**
Brickzin

(10) **Patent No.:** **US D563,444 S**

(45) **Date of Patent:** **** Mar. 4, 2008**

(54) **DIGITAL CAMERA**

(75) Inventor: **Robert W. Brickzin**, Brooklyn Park,
MN (US)

(73) Assignee: **Banner Engineering Corporation**,
Minneapolis, MN (US)

(**) Term: **14 Years**

(21) Appl. No.: **29/248,404**

(22) Filed: **Aug. 15, 2006**

(51) **LOC (8) Cl.** **16-01**

(52) **U.S. Cl.** **D16/202; D16/203**

(58) **Field of Classification Search** D16/200–206,
D16/208–209, 218; 348/373–376; 358/906,
358/909.1; 396/427, 535–541

See application file for complete search history.

(56) **References Cited**

U.S. PATENT DOCUMENTS

4,028,730	A *	6/1977	Miller	348/331
4,344,092	A *	8/1982	Miller	348/331
D277,961	S	3/1985	Shiizu et al.		
D303,674	S	9/1989	Shimizu et al.		
D311,924	S	11/1990	Loyd et al.		
D339,598	S	9/1993	Shimizu		
D366,271	S *	1/1996	Hasegawa	D16/203
D386,196	S	11/1997	Ikenaga		
D389,196	S	11/1997	Ikenaga		
5,790,910	A	8/1998	Haskin		
6,683,654	B1 *	1/2004	Hajjima	348/374

6,830,387	B2 *	12/2004	Rife	396/427
D527,404	S	8/2006	Brickzin		
7,221,402	B2 *	5/2007	Cheng	348/375

OTHER PUBLICATIONS

Five (5) pages of product description from DVT Corporation and related to Intelligent Scanner Legend Series products ©2002.

* cited by examiner

Primary Examiner—Ian Simmons

Assistant Examiner—Wan Laymon

(74) *Attorney, Agent, or Firm*—Merchant & Gould PC.

(57) **CLAIM**

The ornamental design for a digital camera, as shown and described.

DESCRIPTION

FIG. 1 is a front, top and right perspective view of a digital camera according to the present invention;

FIG. 2 is a front view thereof;

FIG. 3 is a rear view thereof;

FIG. 4 is a left side elevational view thereof;

FIG. 5 is a right side elevational view thereof;

FIG. 6 is a top view thereof;

FIG. 7 is a bottom view thereof; and,

FIG. 8 is a front, bottom and right perspective view of FIG. 1 thereof.

1 Claim, 8 Drawing Sheets

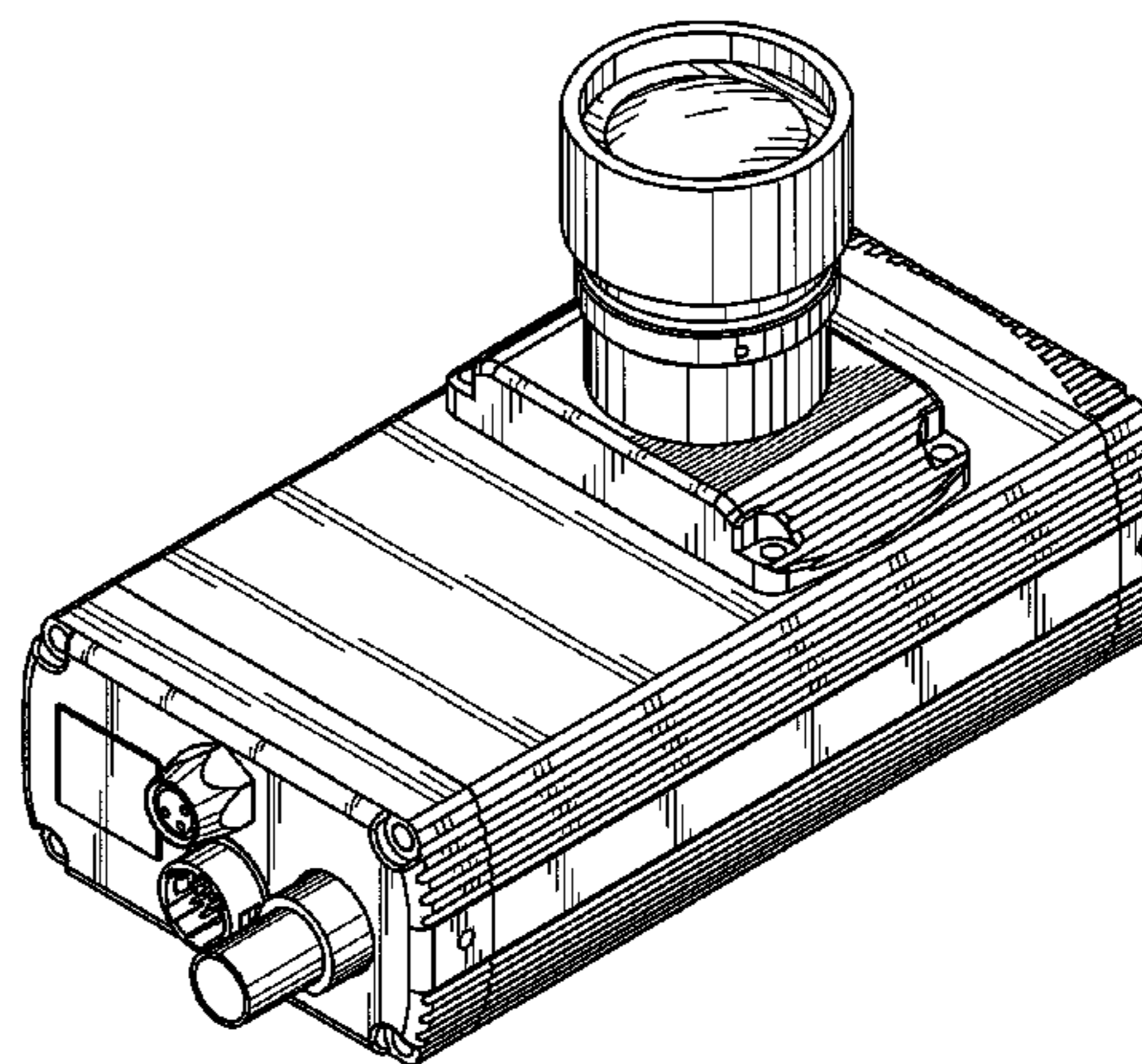
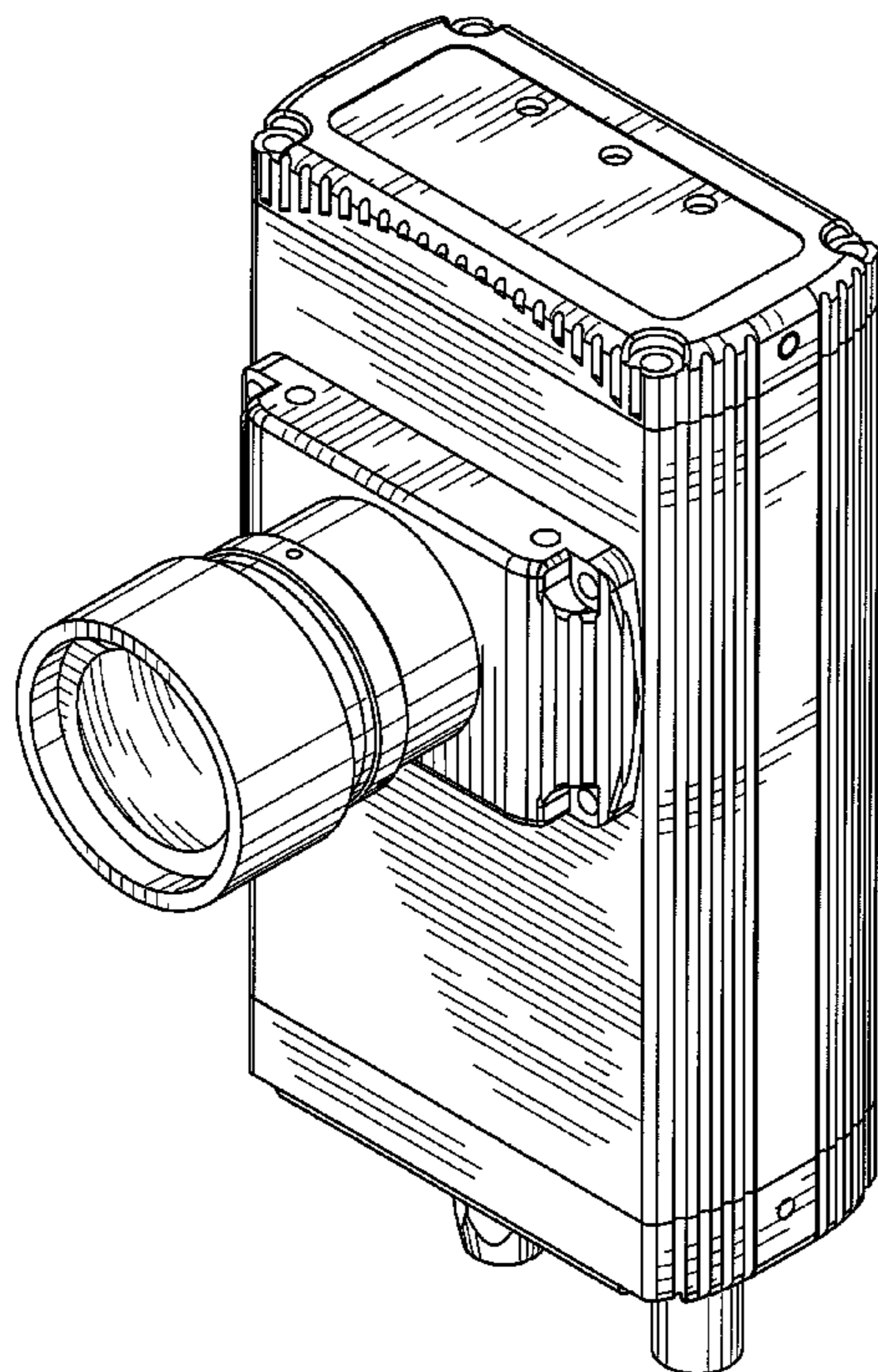


FIG. 1

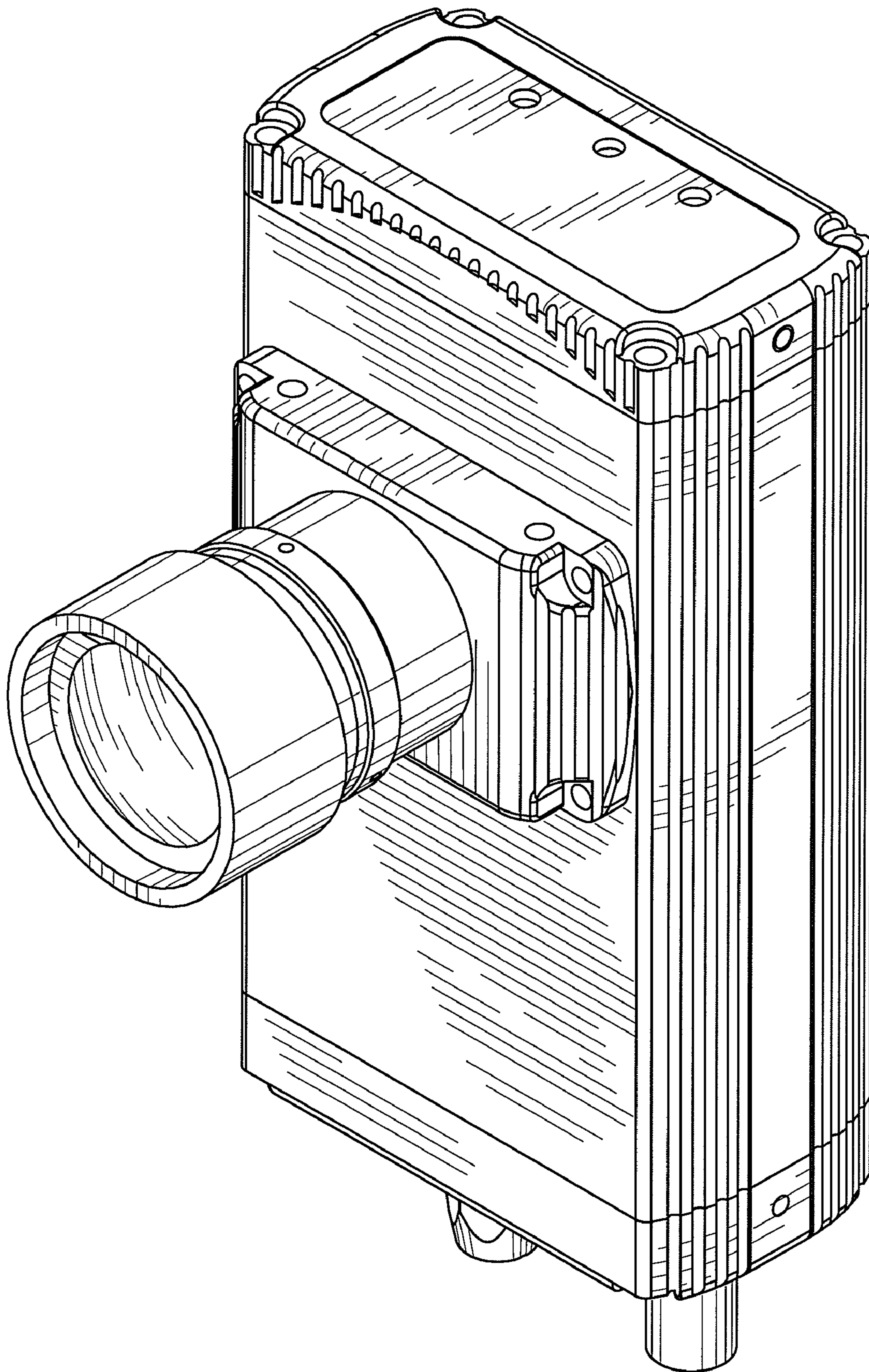


FIG. 2

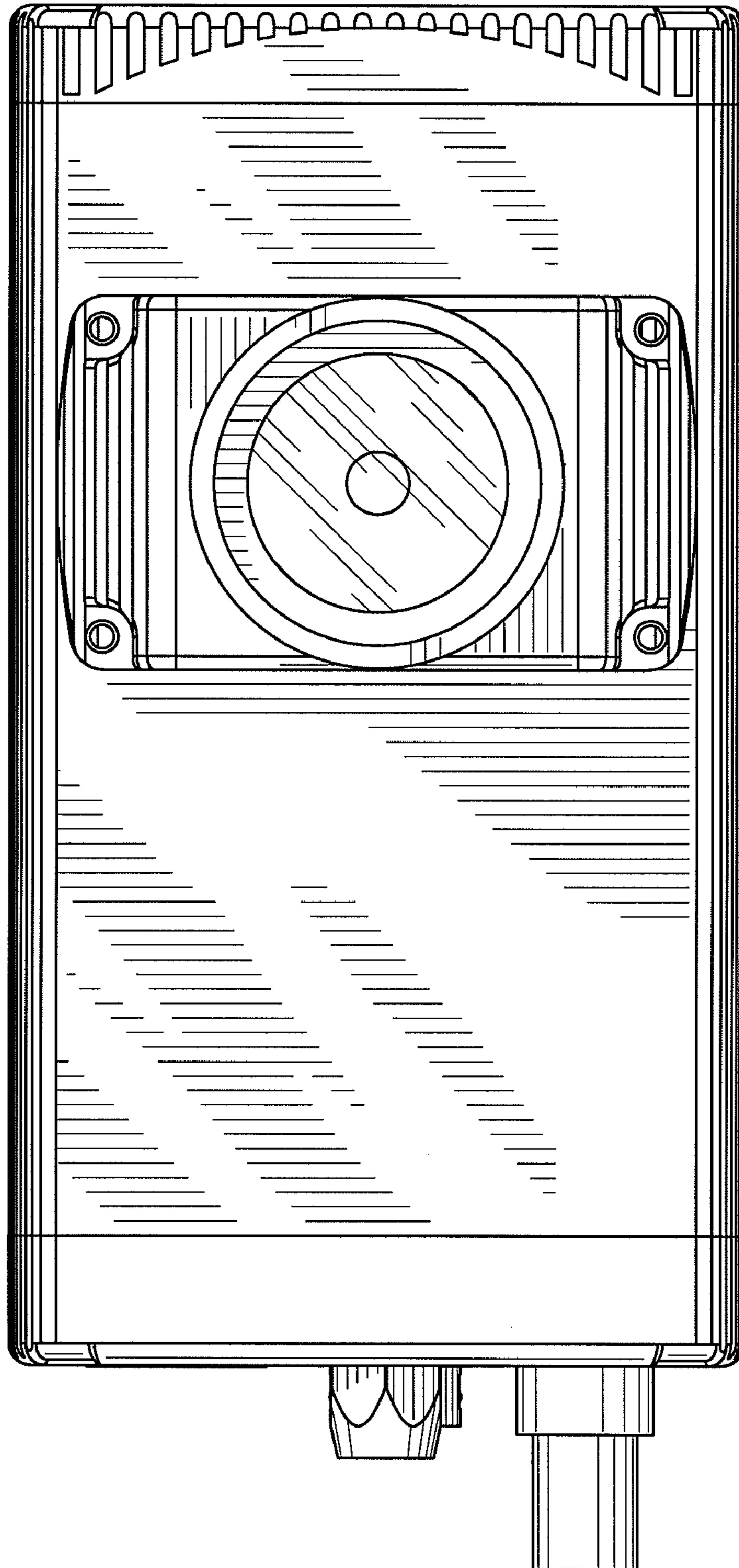


FIG. 3

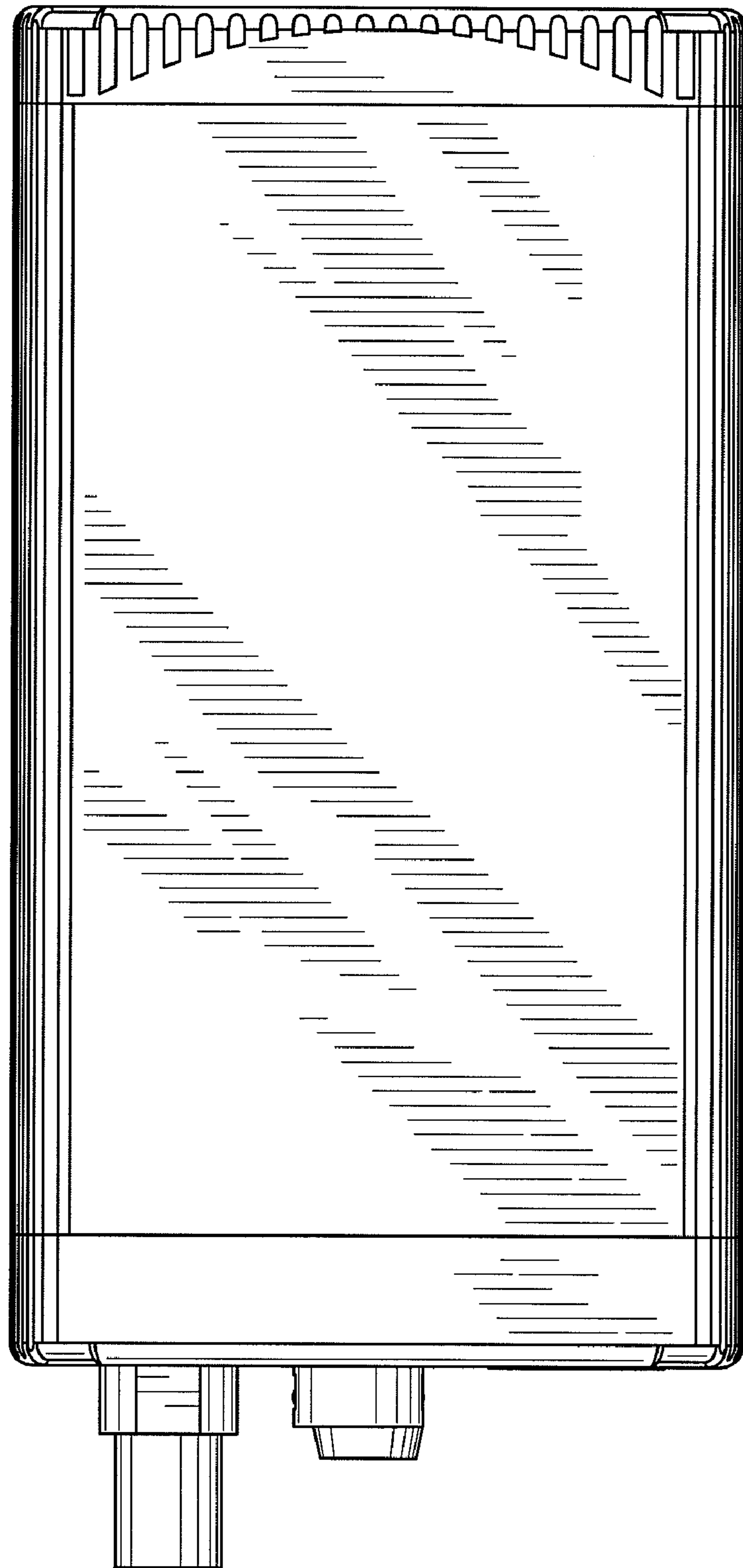


FIG. 4

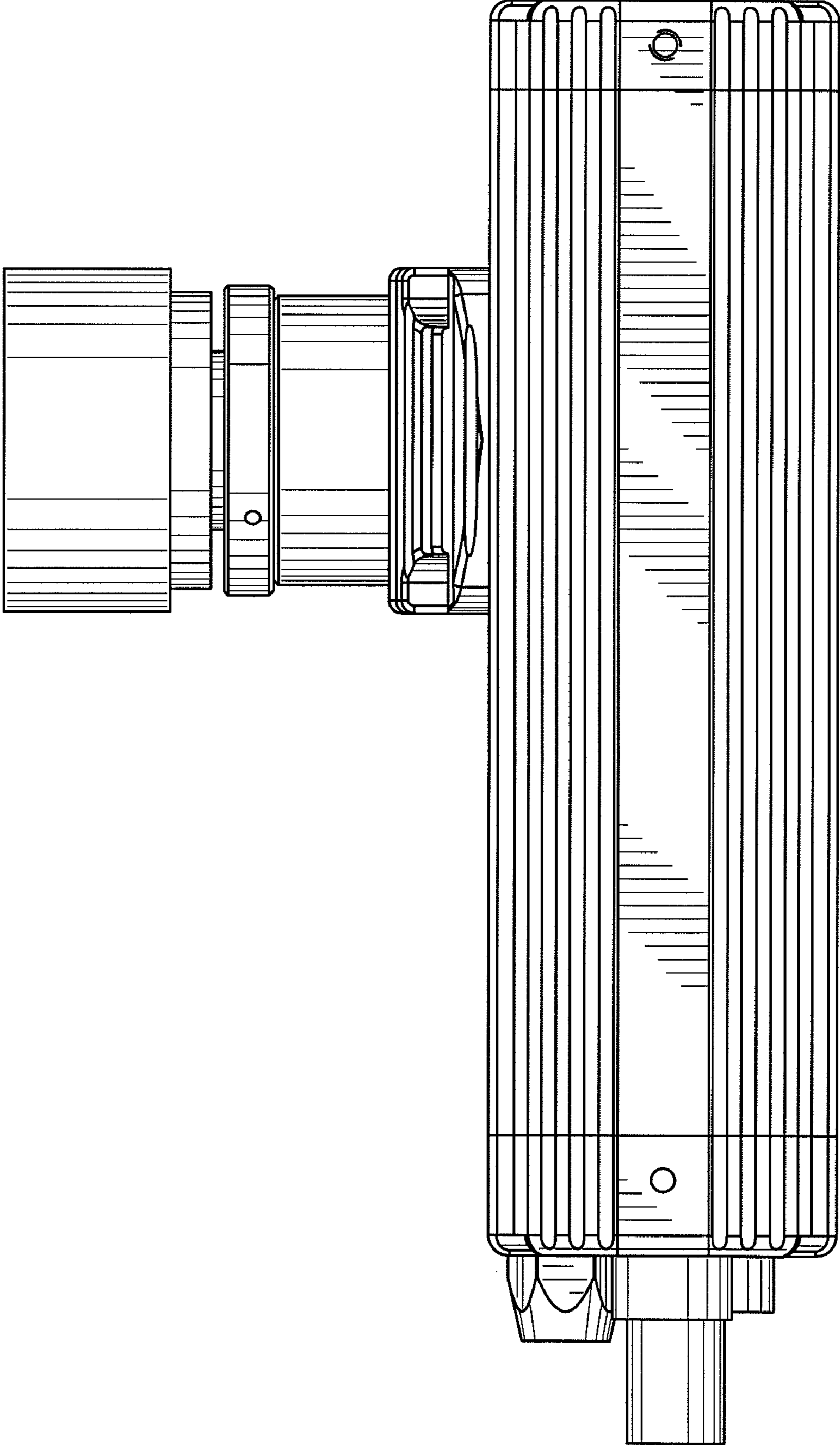


FIG. 5

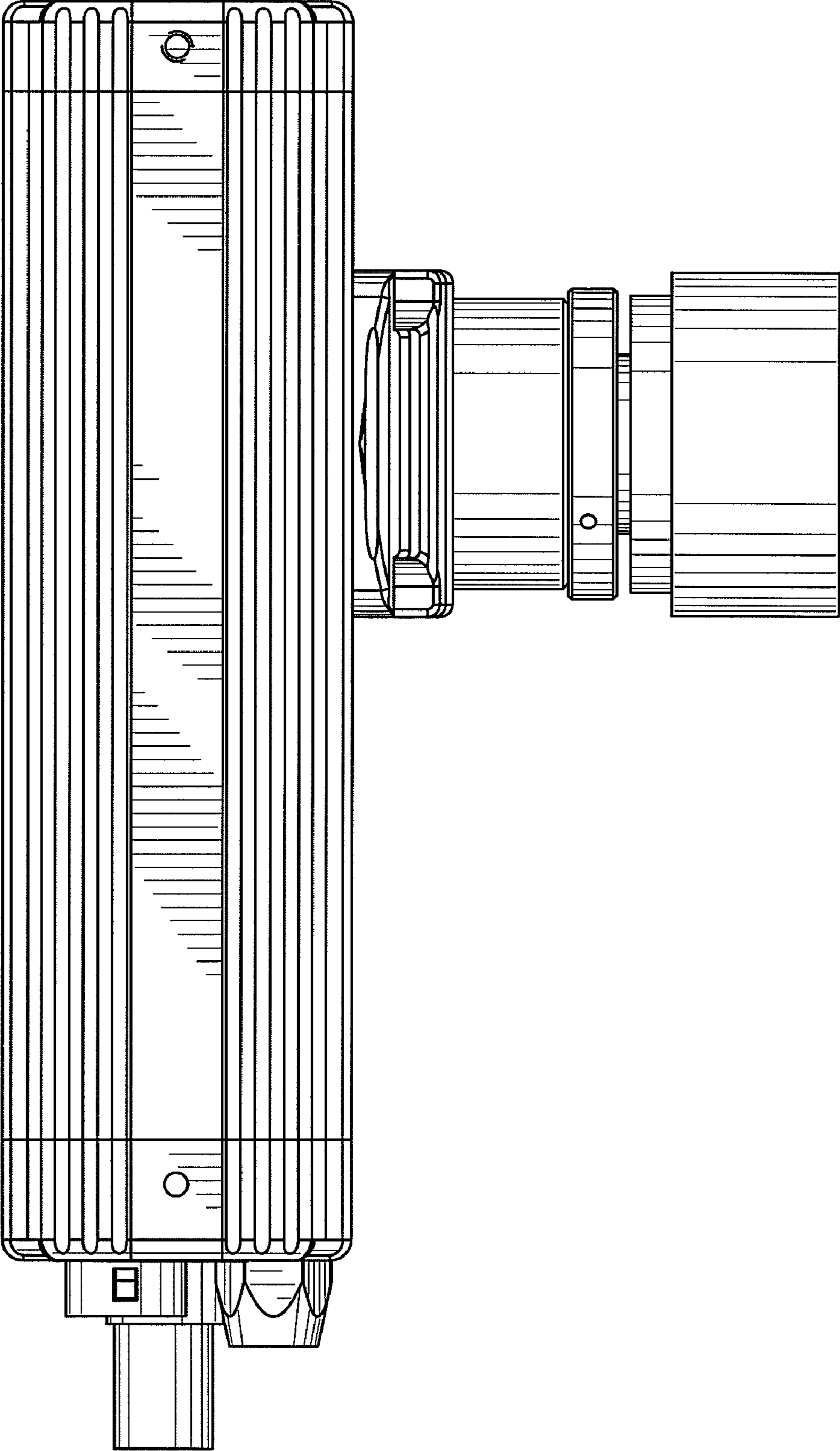


FIG. 6

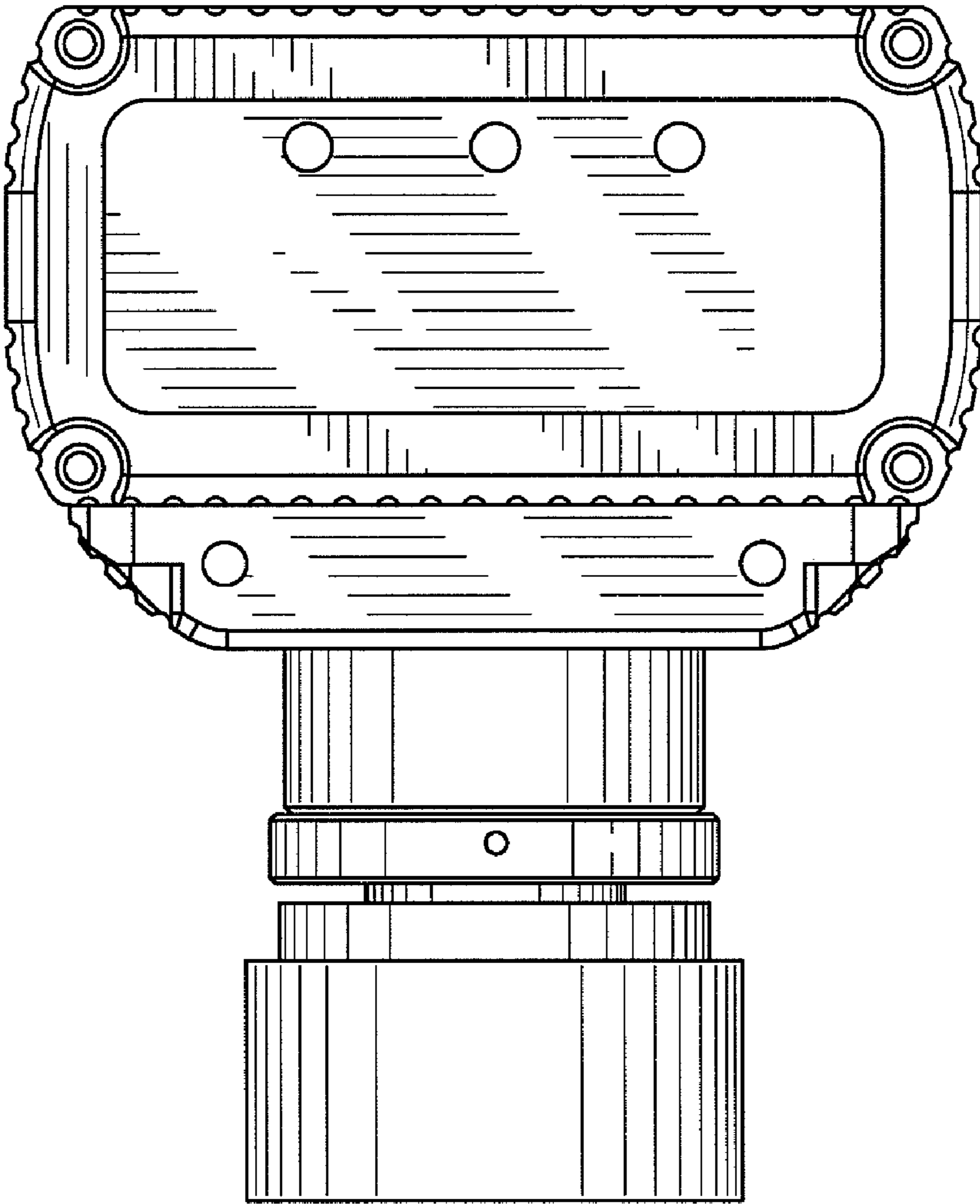
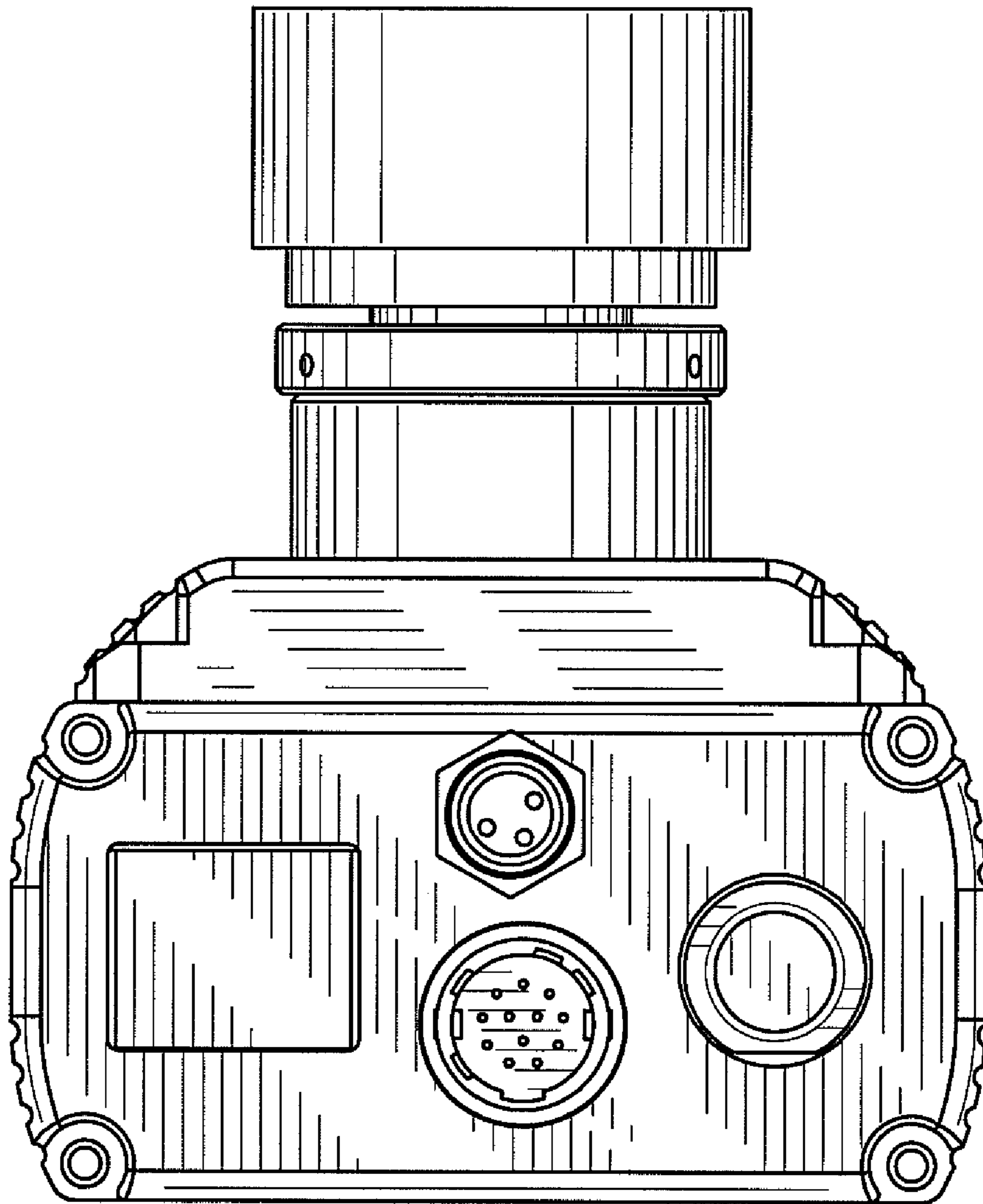


FIG. 7



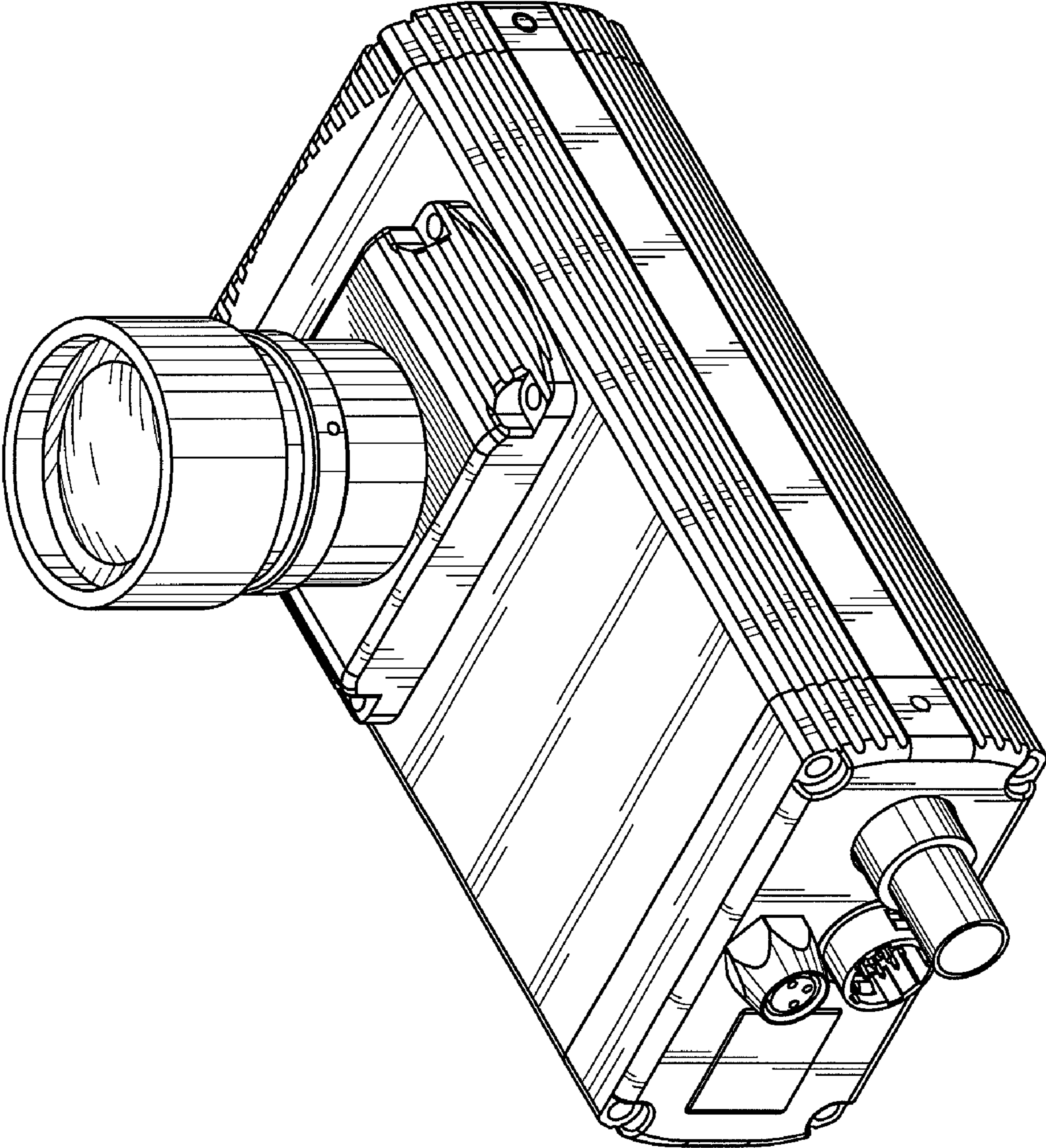


FIG. 8