



US00D563436S

(12) **United States Design Patent**  
**Williams**

(10) **Patent No.:** **US D563,436 S**  
(45) **Date of Patent:** **\*\* Mar. 4, 2008**

(54) **MOWER DECK GRASS CLIPPING  
RETENTION APPARATUS**

(76) Inventor: **Thomas E. Williams**, 625 White Oak  
Dr., Roselle, IL (US) 60172

(\*\*) Term: **14 Years**

(21) Appl. No.: **29/252,803**

(22) Filed: **Jan. 28, 2006**

(51) **LOC (8) Cl.** ..... **15-03**

(52) **U.S. Cl.** ..... **D15/17; D15/28**

(58) **Field of Classification Search** ..... D15/10,  
D15/14, 15, 17, 28, 33; 56/2, 17.4, 17.5,  
56/320.1, 320.2, DIG. 9, DIG. 20, DIG. 22  
See application file for complete search history.

(56) **References Cited**

**U.S. PATENT DOCUMENTS**

4,887,420	A *	12/1989	Cerny et al. ....	56/320.2
5,191,756	A *	3/1993	Kuhn .....	56/17.5
5,390,480	A *	2/1995	Simonson et al. ....	56/320.2
5,465,564	A	11/1995	Koehn et al.	
5,628,171	A *	5/1997	Stewart et al. ....	56/320.2
5,765,346	A *	6/1998	Benter et al. ....	56/2
5,836,144	A *	11/1998	Hohnl et al. ....	56/320.1
5,845,471	A *	12/1998	Seegert et al. ....	56/17.2
5,884,466	A *	3/1999	Willmering et al. ....	56/320.1
5,987,836	A *	11/1999	Sullivan .....	52/473
6,038,840	A *	3/2000	Ishimori et al. ....	56/13.3
6,065,276	A *	5/2000	Hohnl et al. ....	56/320.1
6,073,430	A *	6/2000	Mullet et al. ....	56/13.4
D435,564	S *	12/2000	Klasson .....	D15/17
6,192,666	B1	2/2001	Sugden et al.	
6,571,544	B1	6/2003	Buss et al.	
6,609,358	B1 *	8/2003	Schmidt et al. ....	56/320.2
6,779,328	B2	8/2004	Buss et al.	
6,782,684	B2	8/2004	Buss et al.	
6,832,468	B2	12/2004	Weinlader	
D501,215	S *	1/2005	Steele et al. ....	D15/17
6,912,834	B2 *	7/2005	Kasanic et al. ....	56/16.8
6,996,962	B1 *	2/2006	Sugden et al. ....	56/17.4
2003/0005679	A1 *	1/2003	Buss et al. ....	56/320.1

2003/0005680	A1 *	1/2003	Buss et al. ....	56/320.1
2003/0101702	A1 *	6/2003	Hall .....	56/16.8
2003/0154705	A1 *	8/2003	Sugden et al. ....	56/320.1

**OTHER PUBLICATIONS**

Printout showing the underside of a John Deere 48" three bladed mower deck available at [http://www.deere.com/en\\_us/homeowners/john\\_deere\\_advantages/pf\\_index.html](http://www.deere.com/en_us/homeowners/john_deere_advantages/pf_index.html).

Relevant pages from John Deere Operator's Manual for L100, L111, L118, L120 and L130 lawn tractors, published 2004.

John Deere Online Parts Catalog—Frame 5, Catalog;9358, Grid: D16, Section: 85. p. 4 from <http://jdpc.deere.com> showing a L118 Lawn Tractor Mower Deck, Apr. 27, 2006.

\* cited by examiner

*Primary Examiner*—Stella M. Reid  
*Assistant Examiner*—Mark Goodwin

(57) **CLAIM**

The ornamental design for a mower deck grass clipping retention apparatus, as shown and described.

**DESCRIPTION**

FIG. 1 is a bottom perspective view of the mower deck grass clipping retention apparatus, showing my new design, where the dotted lines represent unclaimed environmental structure;

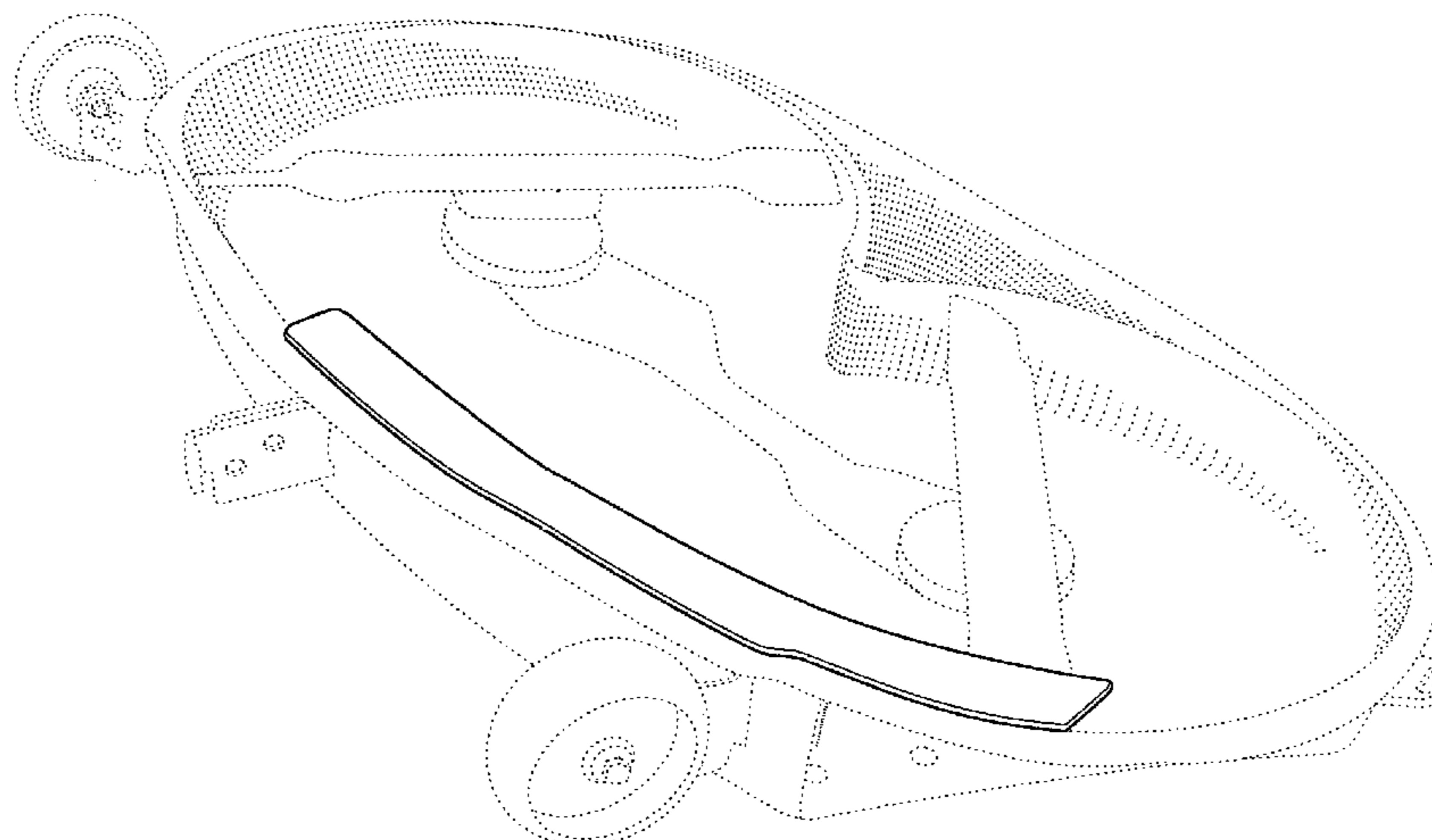
FIG. 2 is another bottom perspective view of the mower deck grass clipping retention apparatus shown in FIG. 1, where the dotted lines represent unclaimed environmental structure;

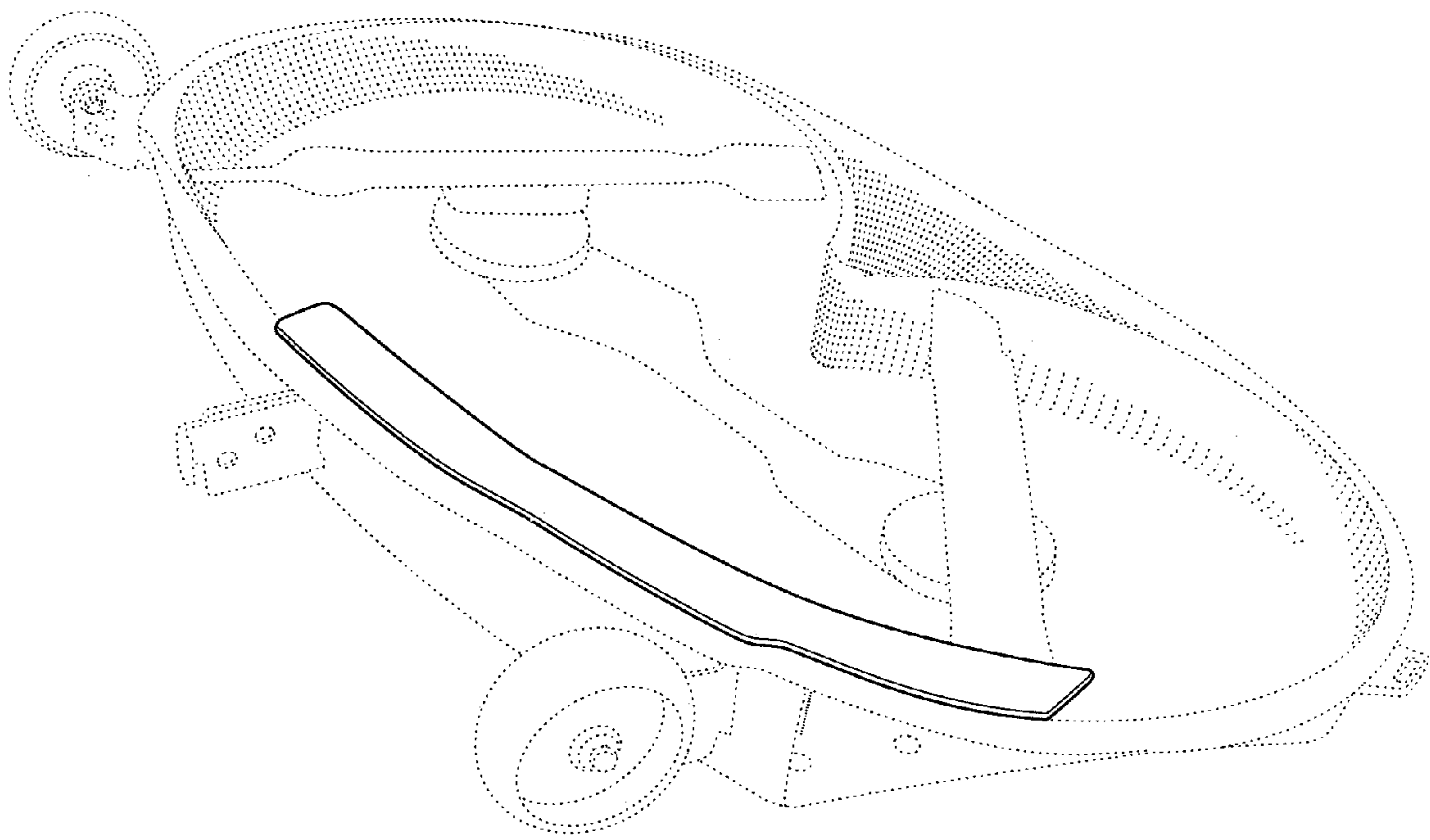
FIG. 3 is a bottom plan view of the mower deck grass clipping retention apparatus shown in FIG. 1, where the dotted lines represent unclaimed environmental structure;

FIG. 4 is a top plan view of the mower deck grass clipping retention apparatus shown in FIG. 1, where the dotted lines represent unclaimed environmental structure; and,

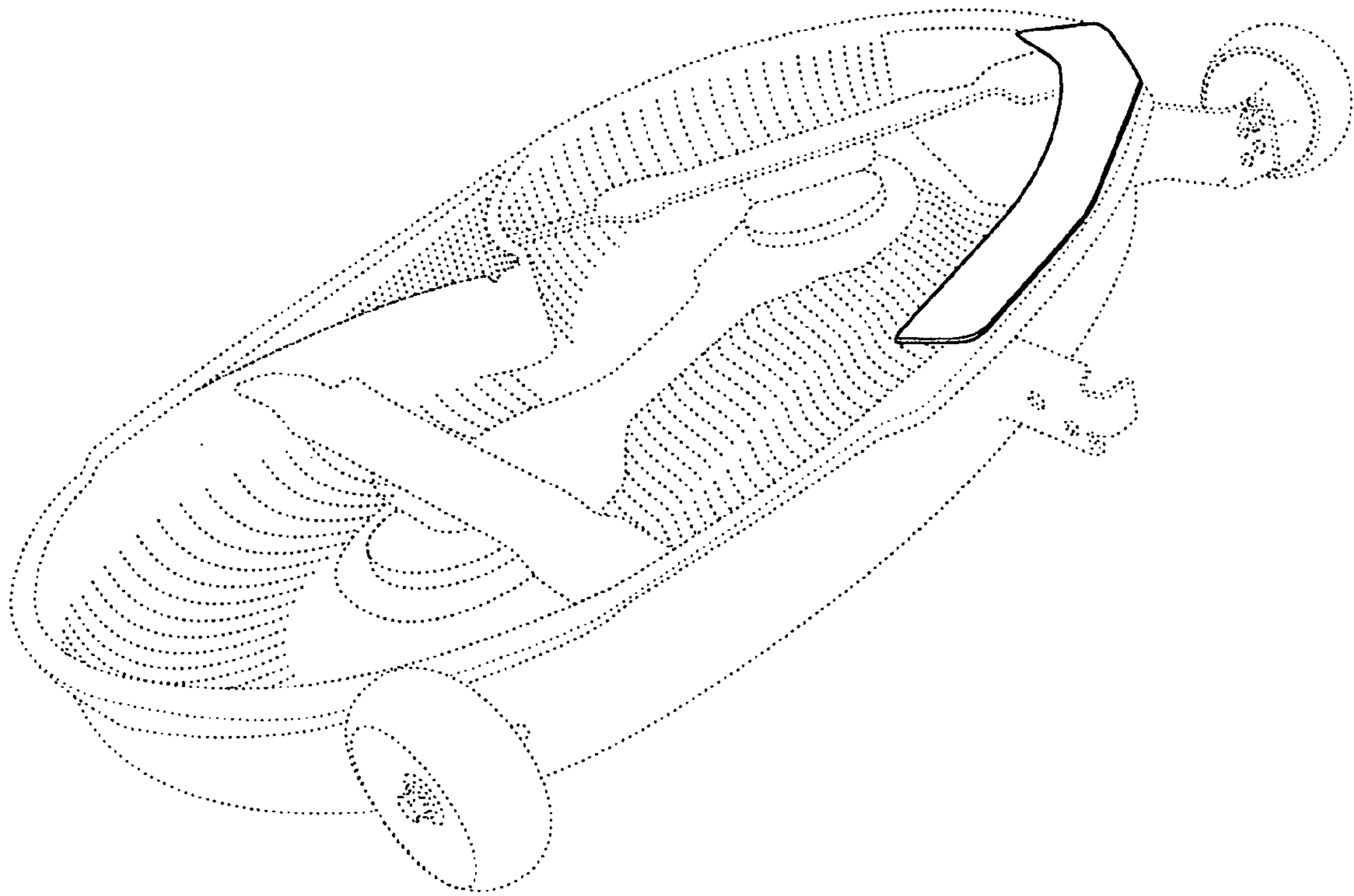
FIG. 5 is a right side view of the mower deck grass clipping retention apparatus shown in FIG. 1, where the dotted lines represent unclaimed environmental structure.

**1 Claim, 5 Drawing Sheets**

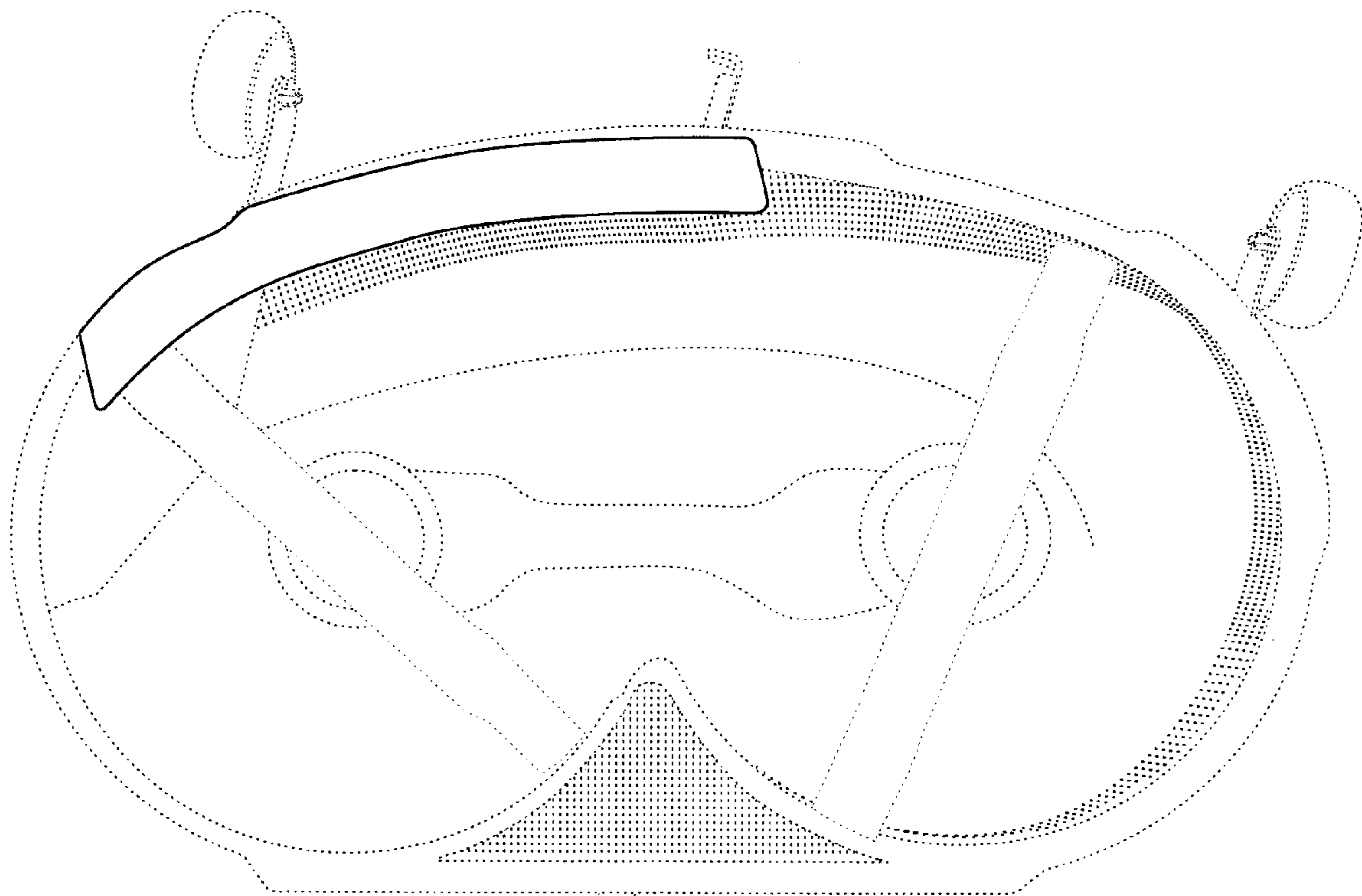




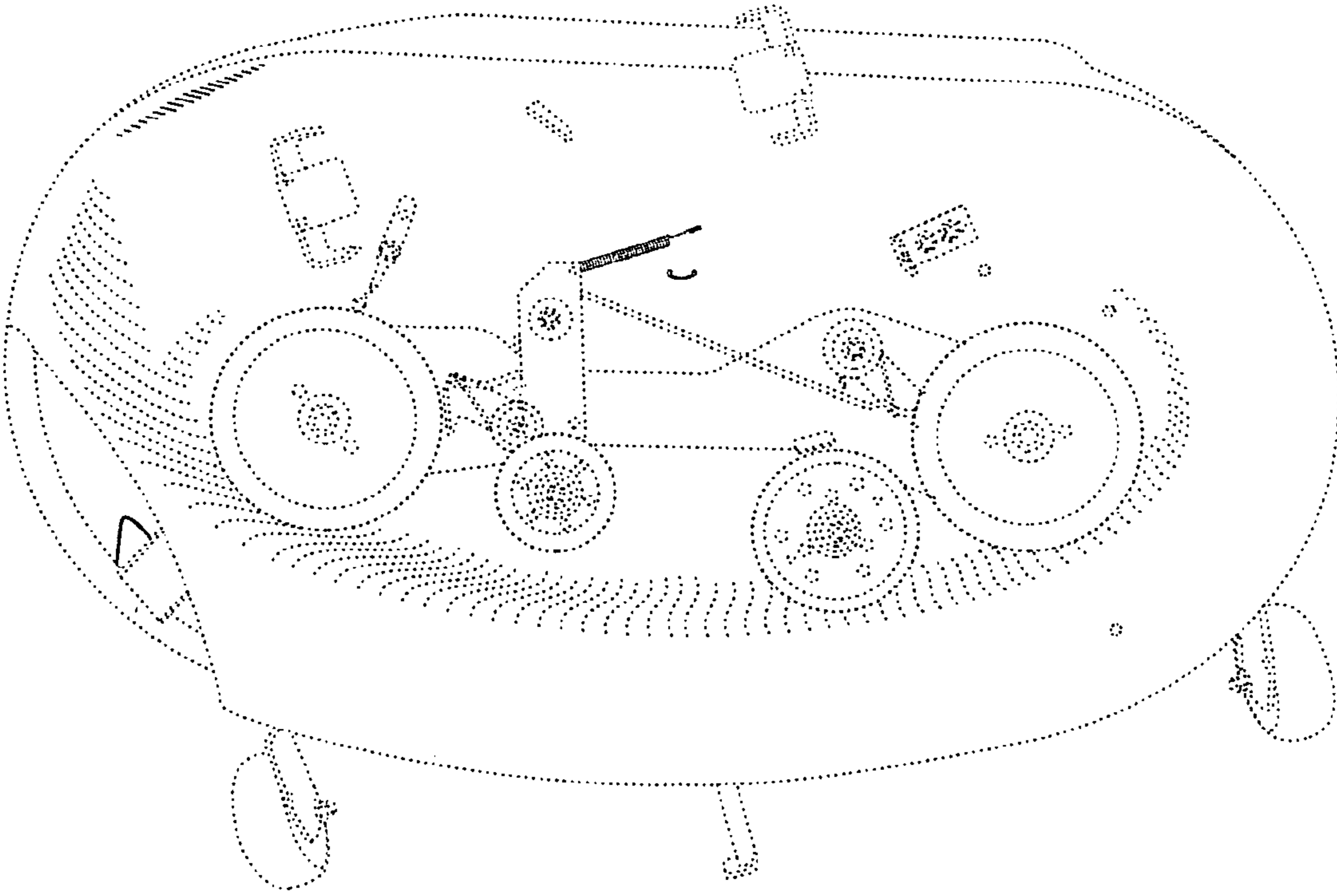
**Fig. 1**



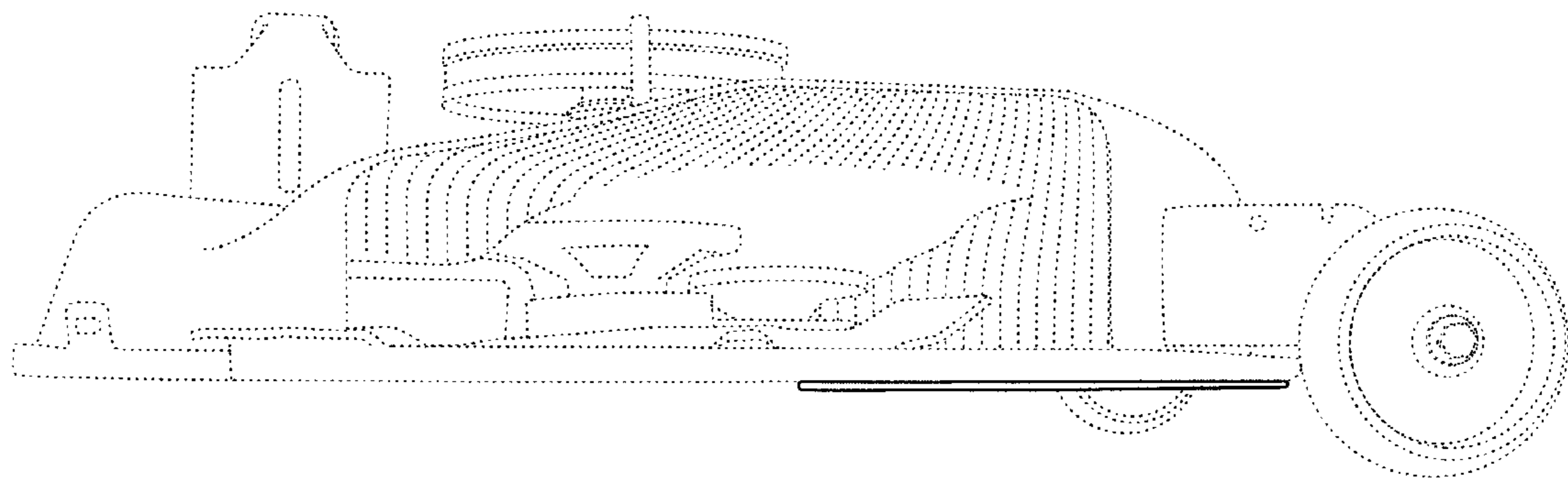
**Fig. 2**



**Fig. 3**



**Fig. 4**



**Fig. 5**