

US00D563432S

(12) **United States Design Patent**
Kim

(10) **Patent No.:** **US D563,432 S**
(45) **Date of Patent:** **** Mar. 4, 2008**

(54) **DMB MP3 PLAYER**

(75) Inventor: **Hyoung Won Kim**, Seoul (KR)

(73) Assignee: **LG Electronics Inc.**, Seoul (KR)

(**) Term: **14 Years**

(21) Appl. No.: **29/269,930**

(22) Filed: **Dec. 12, 2006**

(30) **Foreign Application Priority Data**

Jun. 23, 2006 (KR) 30-2006-0026847

(51) **LOC (8) Cl.** **14-03**

(52) **U.S. Cl.** **D14/496**

(58) **Field of Classification Search** D14/496,
D14/401, 435, 474, 483, 217, 137, 138, 160,
D14/168; 345/156, 169, 173-179, 905; 715/727-729,
715/864; 455/11.1, 7, 73, 344-347, 93, 95;
370/342-344; 369/1, 2, 6, 12; 463/43-47;
273/148 B

See application file for complete search history.

(56) **References Cited**

U.S. PATENT DOCUMENTS

6,122,526 A * 9/2000 Parulski et al. 455/556.1
D507,277 S * 7/2005 Sitoh D14/496
6,977,675 B2 * 12/2005 Kotzin 348/208.2
D514,589 S * 2/2006 Chen D14/496

D517,088 S * 3/2006 Chong et al. D14/496
D519,523 S * 4/2006 Chiu et al. D14/496
D547,330 S * 7/2007 Lee D14/496
D550,711 S * 9/2007 Lee D14/496

OTHER PUBLICATIONS

LG iF Awards-LG Global site, http://www.lge.com/about/design/award_if_2007_01.jsp, retrieved on Sep. 13, 2007.*

* cited by examiner

Primary Examiner—Prabhakar Deshmukh

(74) *Attorney, Agent, or Firm*—Birch, Stewart, Kolasch & Birch, LLP

(57) **CLAIM**

The ornamental design for a DMB MP3 player, as shown and described.

DESCRIPTION

FIG. 1 is a perspective view of a DMB MP3 player showing my new design;

FIG. 2 is a front view thereof;

FIG. 3 is a rear view thereof;

FIG. 4 is a left side view thereof;

FIG. 5 is a right side view thereof;

FIG. 6 is a top plan view thereof; and,

FIG. 7 is a bottom plan view thereof.

1 Claim, 4 Drawing Sheets

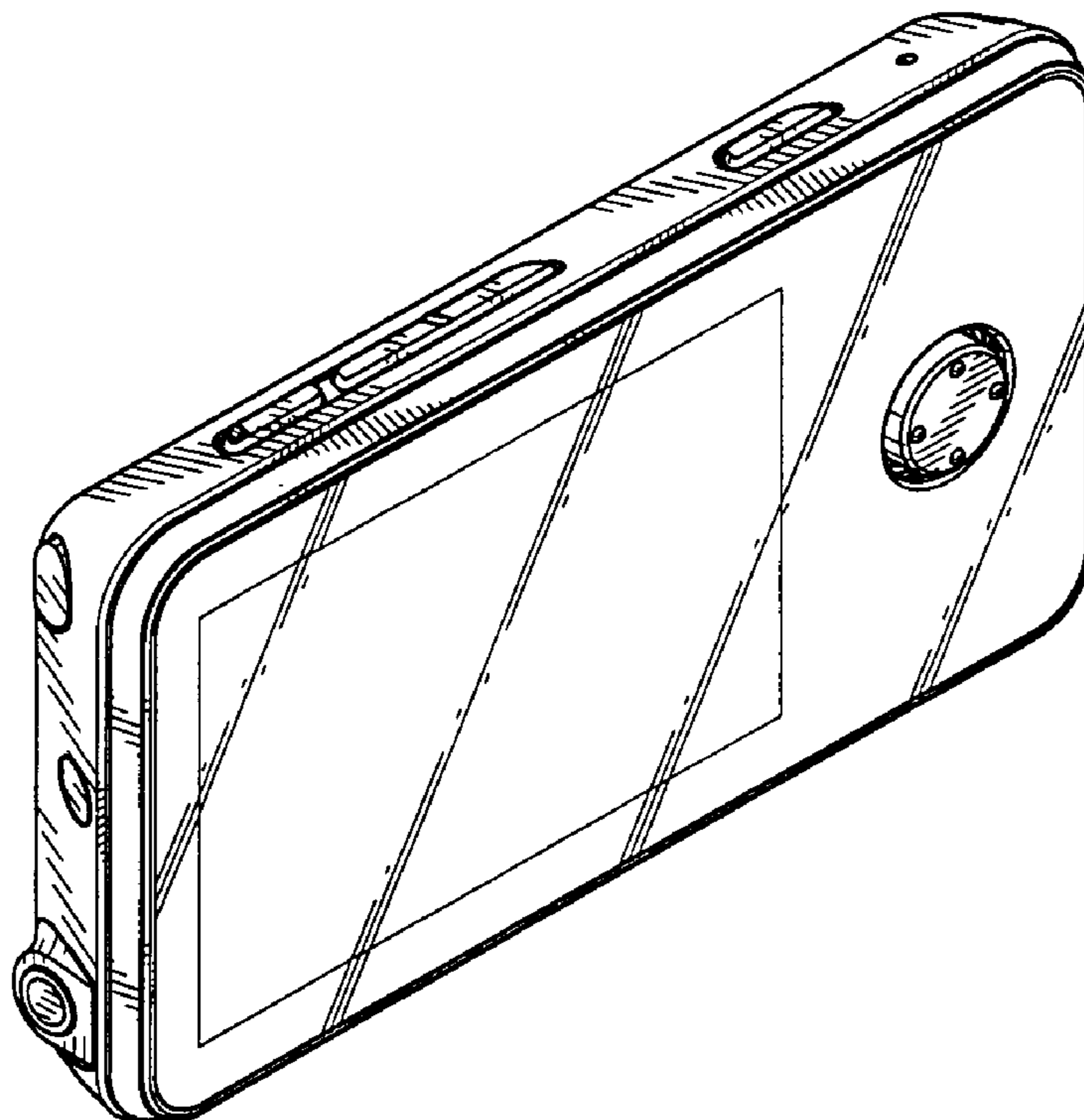


FIG. 1

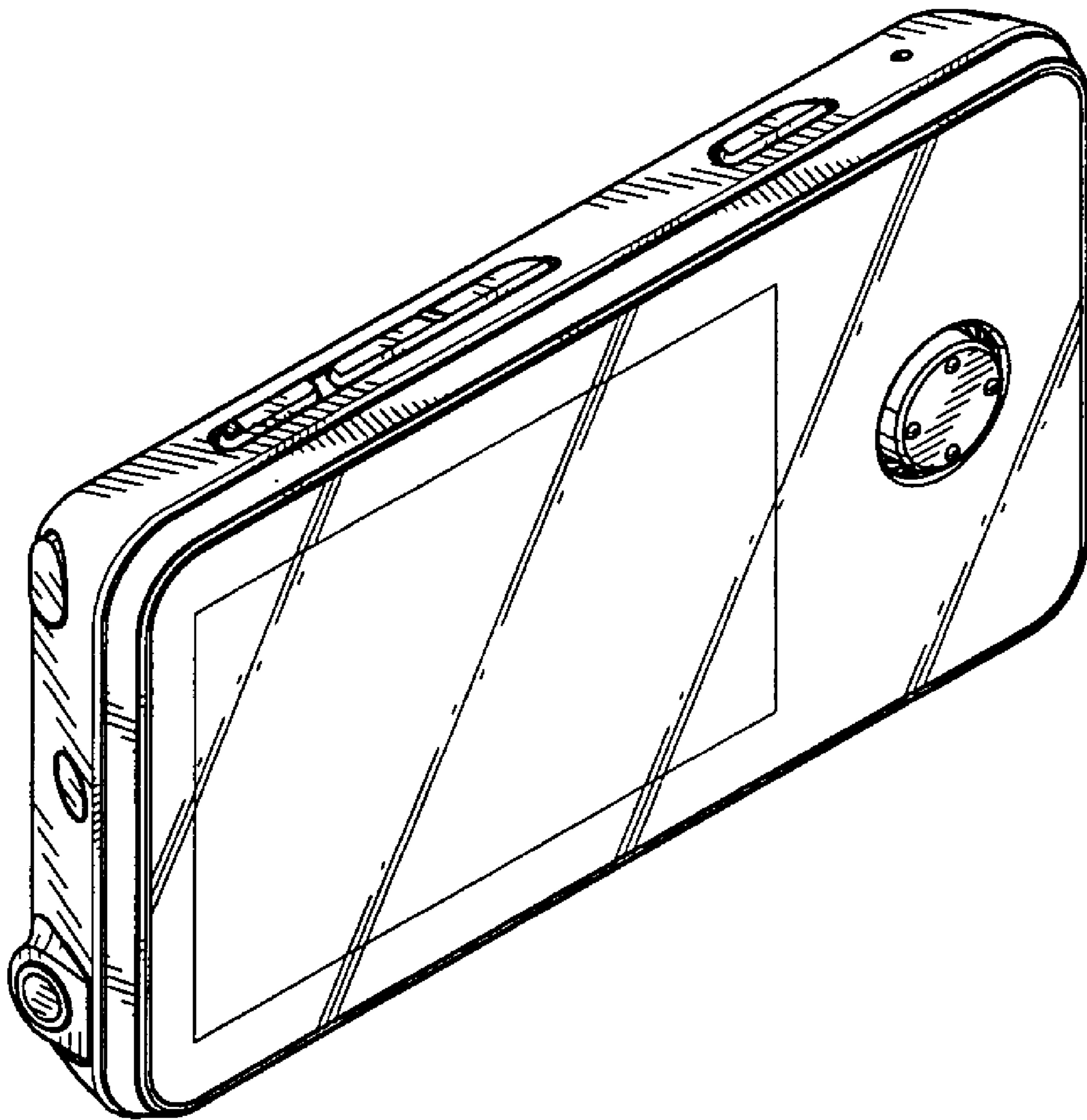


FIG. 2

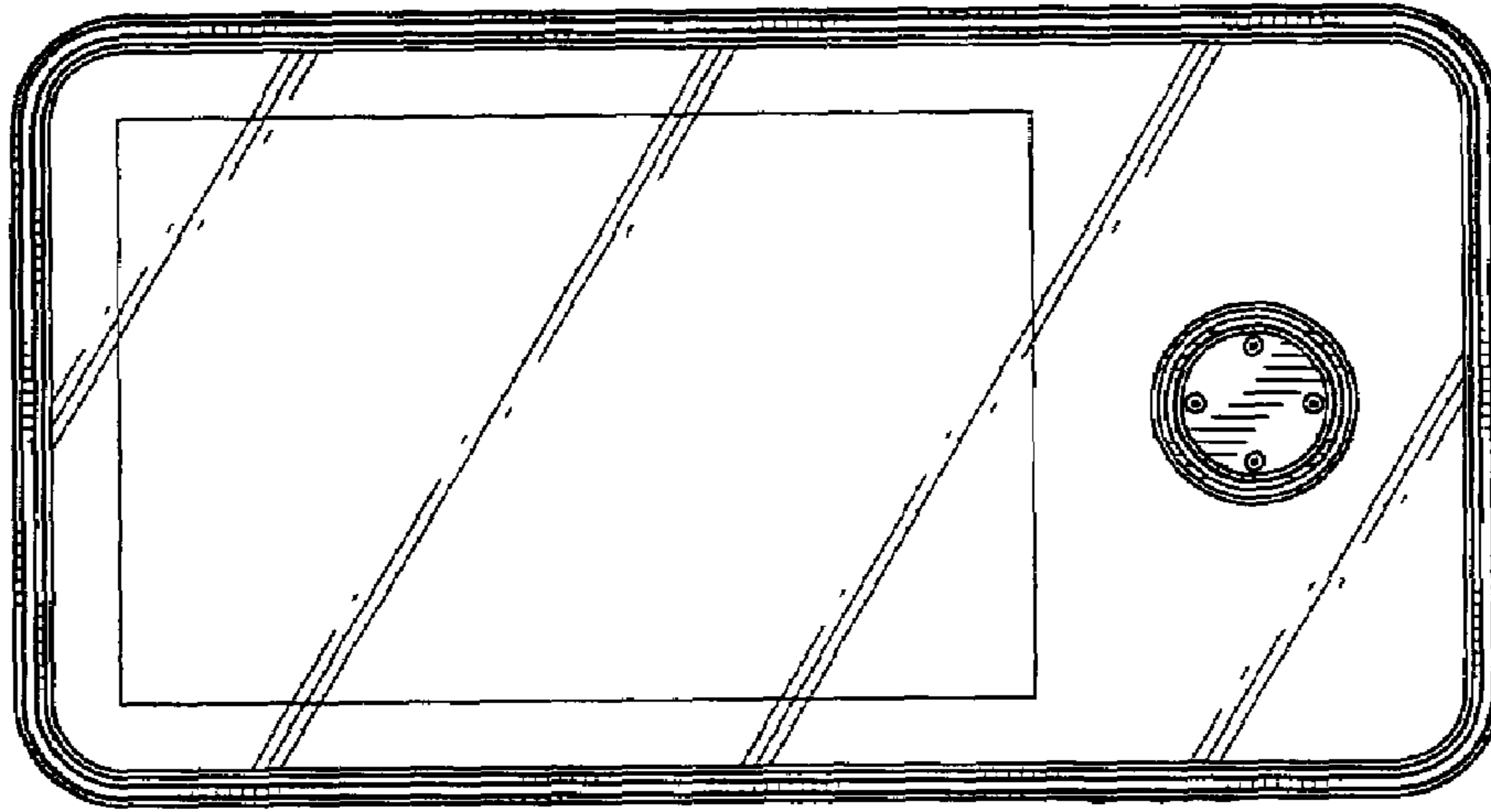


FIG. 3

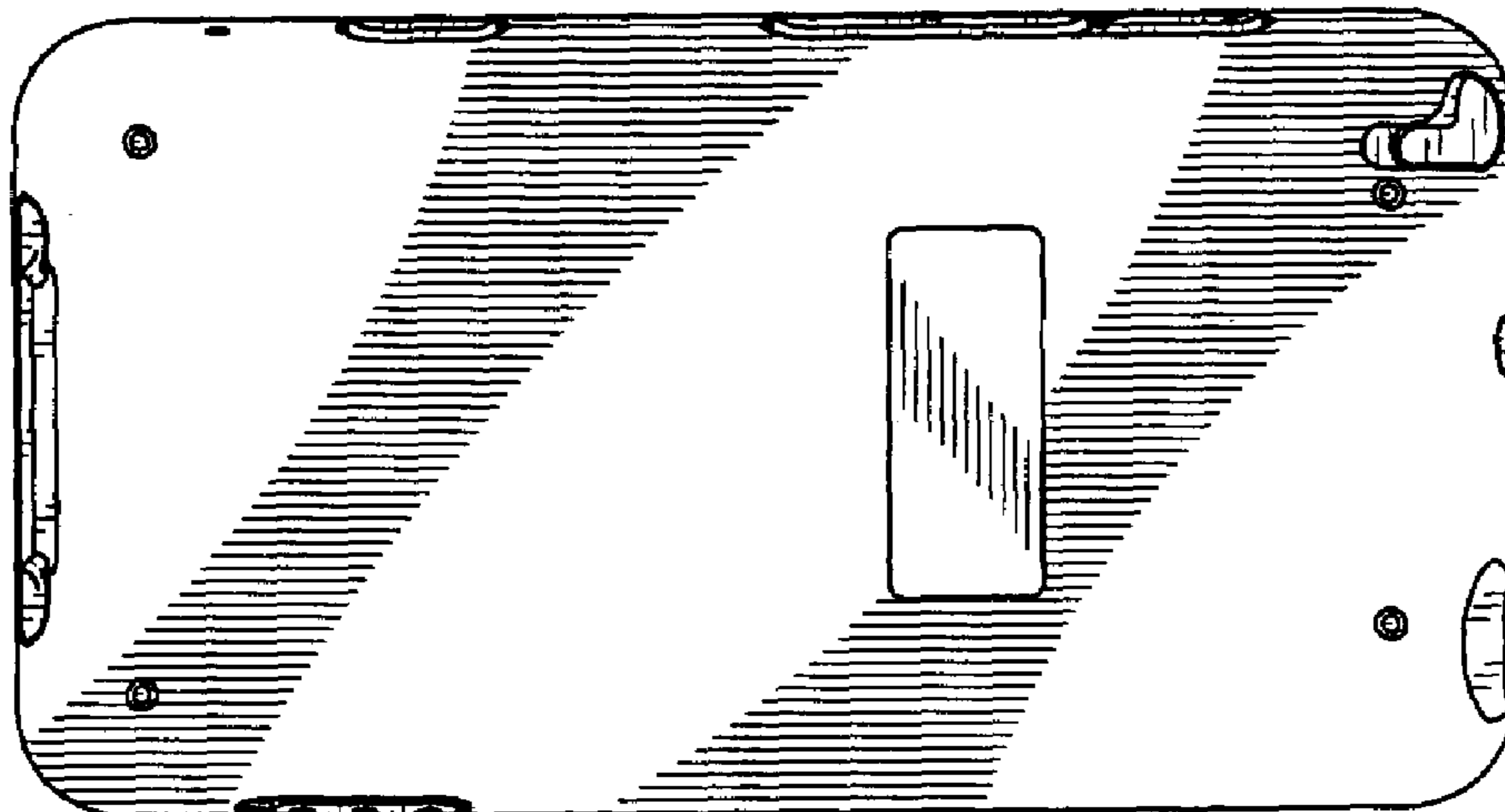


FIG. 4

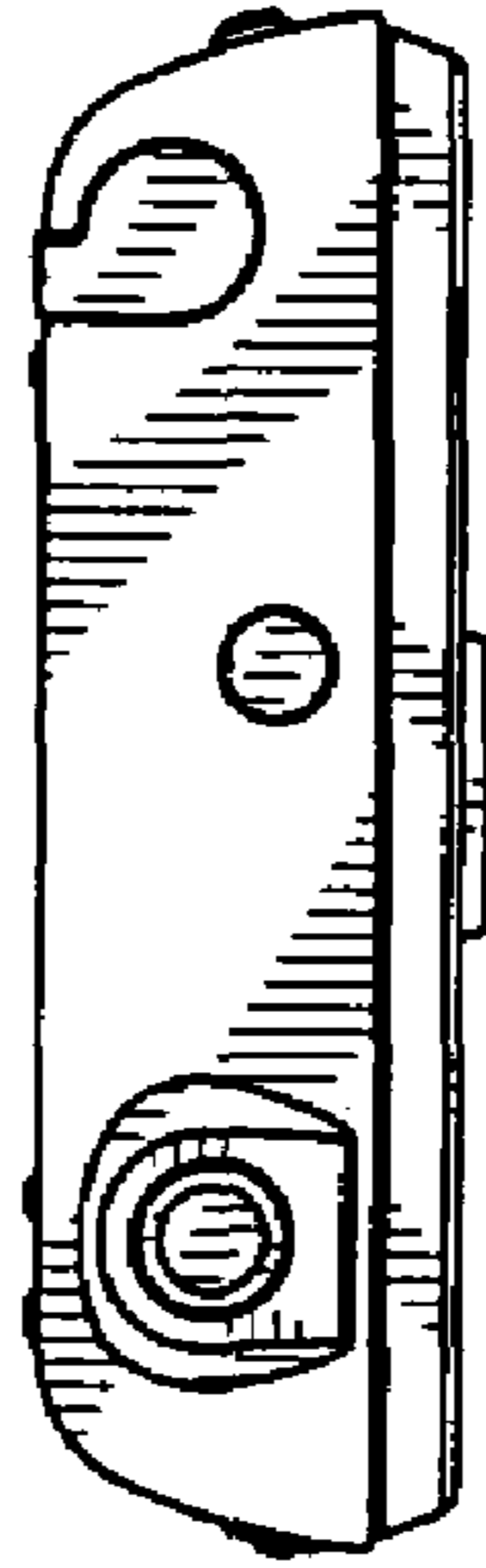


FIG. 5

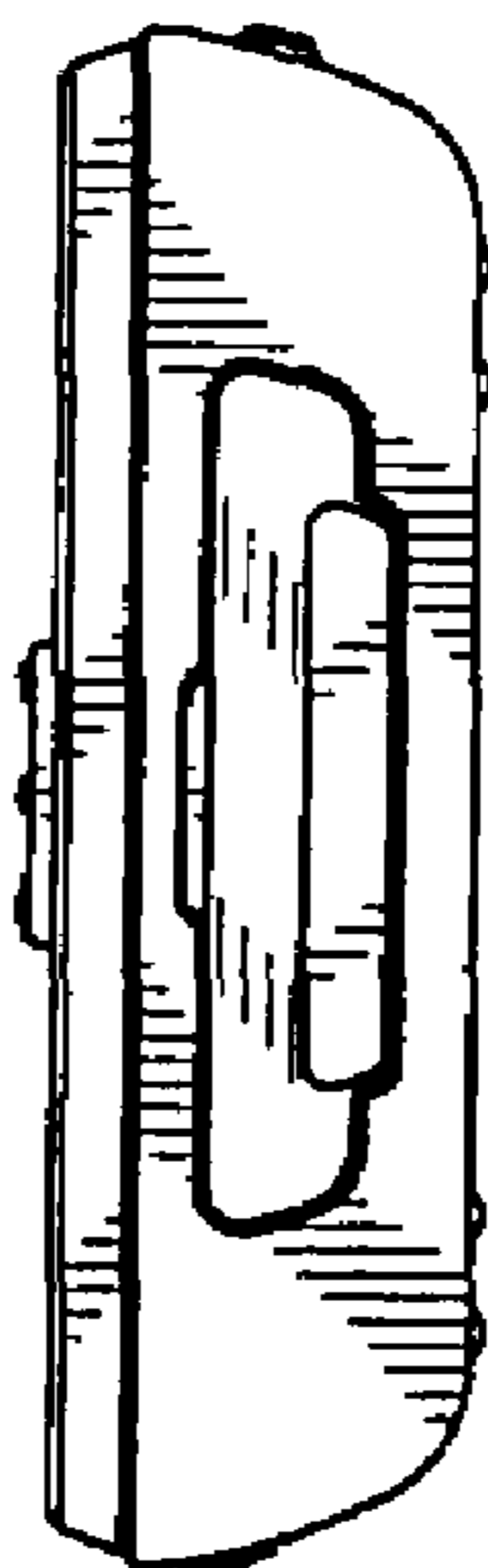


FIG. 6



FIG. 7

