



US00D563428S

(12) **United States Design Patent**
Langen et al.

(10) **Patent No.:** **US D563,428 S**
(45) **Date of Patent:** **** Mar. 4, 2008**

(54) **VISUALIZATION DEVICE**

(75) Inventors: **Kirsten Langen**, Berlin (DE); **Horst Kessler**, Berlin (DE); **Olaf Dressel**, Wustermark (DE); **Juergen Dietrich**, Berlin (DE); **Hans-Peter Constin**, Berlin (DE); **Lutz Friedrich**, Birkenwerder (DE)

(73) Assignee: **Bundesdruckerei GmbH**, Berlin (DE)

(**) Term: **14 Years**

(21) Appl. No.: **29/255,309**

(22) Filed: **Mar. 6, 2006**

(30) **Foreign Application Priority Data**

Sep. 6, 2005 (DE) 4 05 04 669

(51) **LOC (8) Cl.** **14-03**

(52) **U.S. Cl.** **D14/496; D14/156**

(58) **Field of Classification Search** D14/496,
D14/401, 435, 474, 483, 217, 137, 138, 160,
D14/168; 345/156, 169, 173-179, 905; 715/727-729,
715/864; 455/11.1, 773, 344-347, 93, 95;
370/342-344; 369/1, 2, 6, 12; 463/43-47;
273/148 B

See application file for complete search history.

(56) **References Cited**

U.S. PATENT DOCUMENTS

D259,795 S * 7/1981 Longo D21/329
4,298,868 A * 11/1981 Spurgeon 345/31

4,421,317 A * 12/1983 Hector et al. 463/32
5,671,070 A * 9/1997 Przybylowicz et al. 358/487
D473,269 S * 4/2003 Tsuda D21/329
D485,280 S * 1/2004 Hussaini et al. D14/496
6,690,964 B2 * 2/2004 Bieger et al. 600/424
D497,394 S * 10/2004 Svanson et al. D21/329
7,142,265 B2 * 11/2006 Ahn 349/58
7,175,495 B2 * 2/2007 Nakamoto et al. 445/51
2004/0263535 A1 * 12/2004 Birkenbach et al. 345/629
2006/0161969 A1 * 7/2006 Moreillon 726/3
2007/0019936 A1 * 1/2007 Birkenbach et al. 396/14

* cited by examiner

Primary Examiner—Prabhakar Deshmukh

(74) *Attorney, Agent, or Firm*—Jordan and Hamburg LLP

(57) **CLAIM**

The ornamental design for a visualization device, as shown.

DESCRIPTION

FIG. 1 is a bottom plan view of a visualization device showing our new design;

FIG. 2 is a front elevational view thereof;

FIG. 3 is a right side elevational view thereof;

FIG. 4 is a left side elevational view thereof;

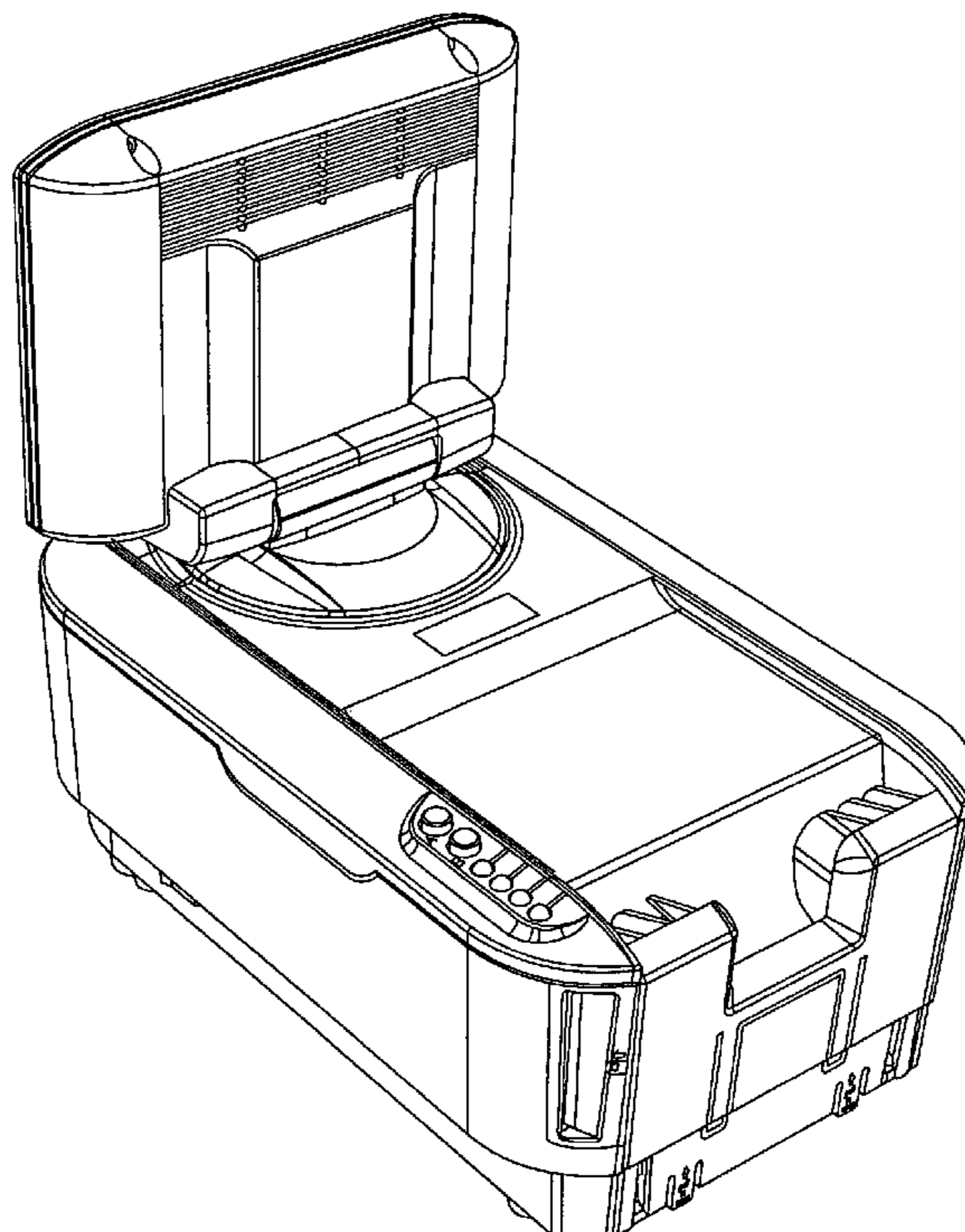
FIG. 5 is a rear elevational view thereof;

FIG. 6 is a top plan view thereof; and,

FIG. 7 is a perspective view thereof.

The broken lines are for illustrative purpose only and form no part of the claimed design.

1 Claim, 7 Drawing Sheets



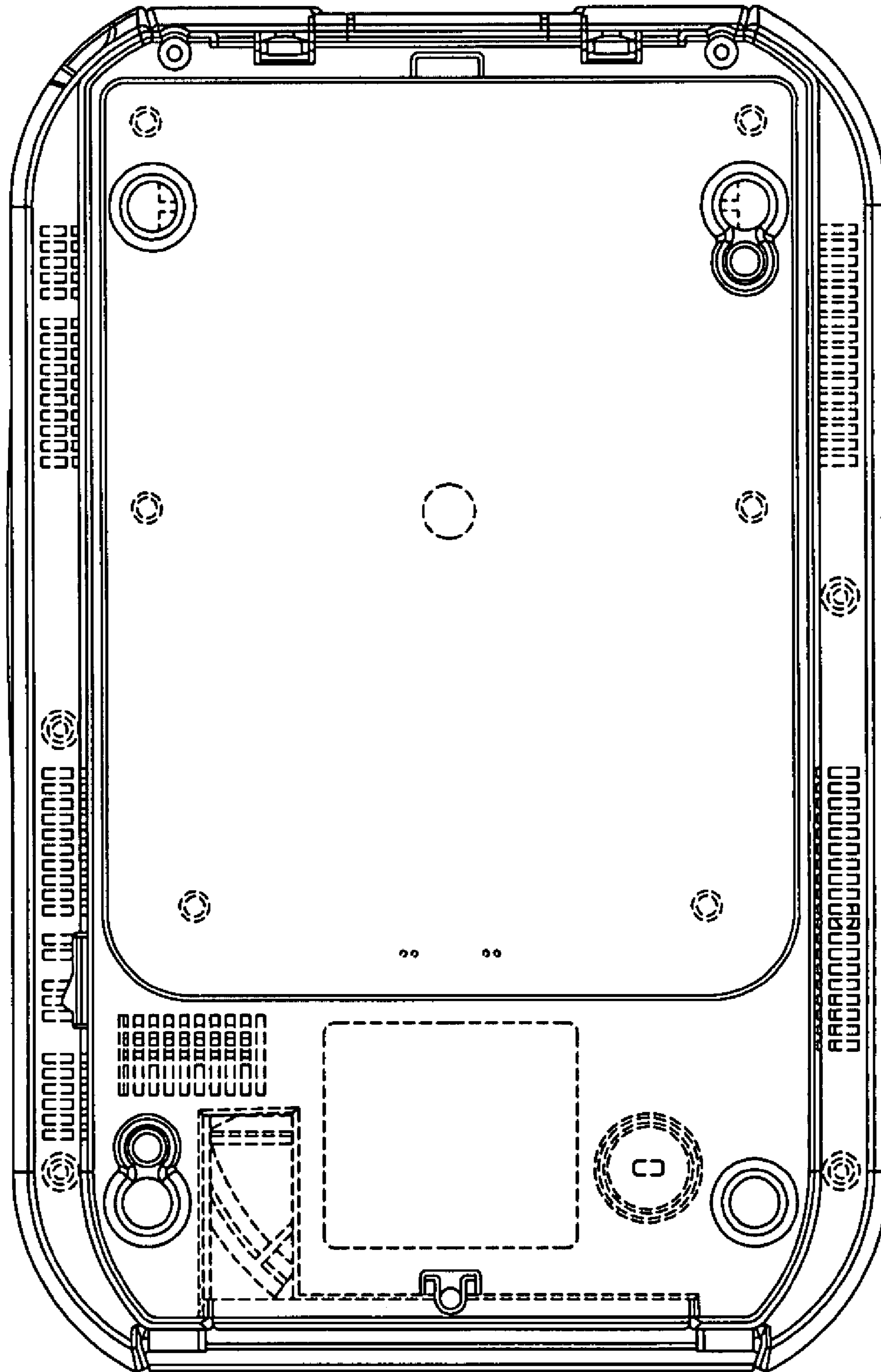


FIG. 1

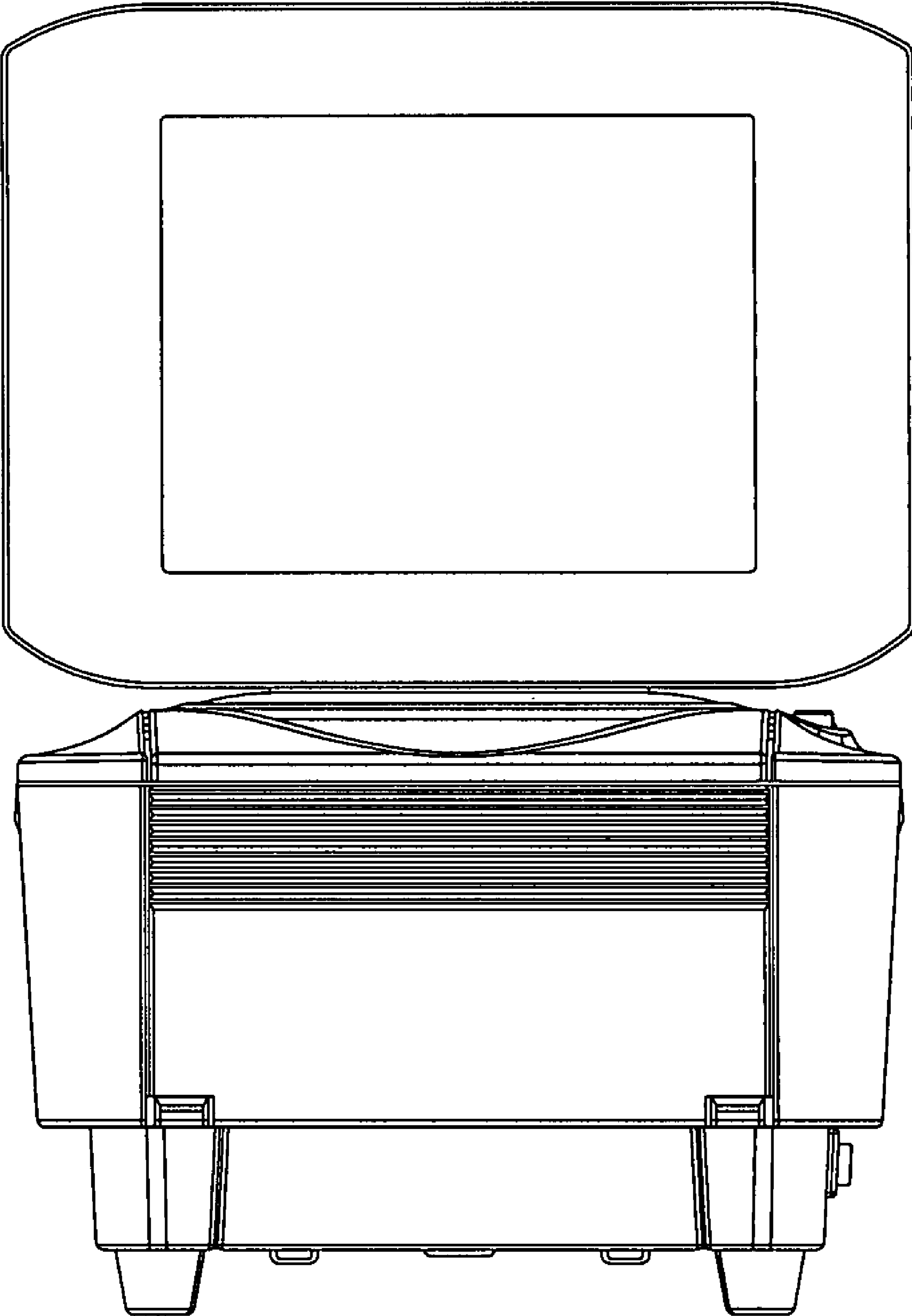


FIG. 2

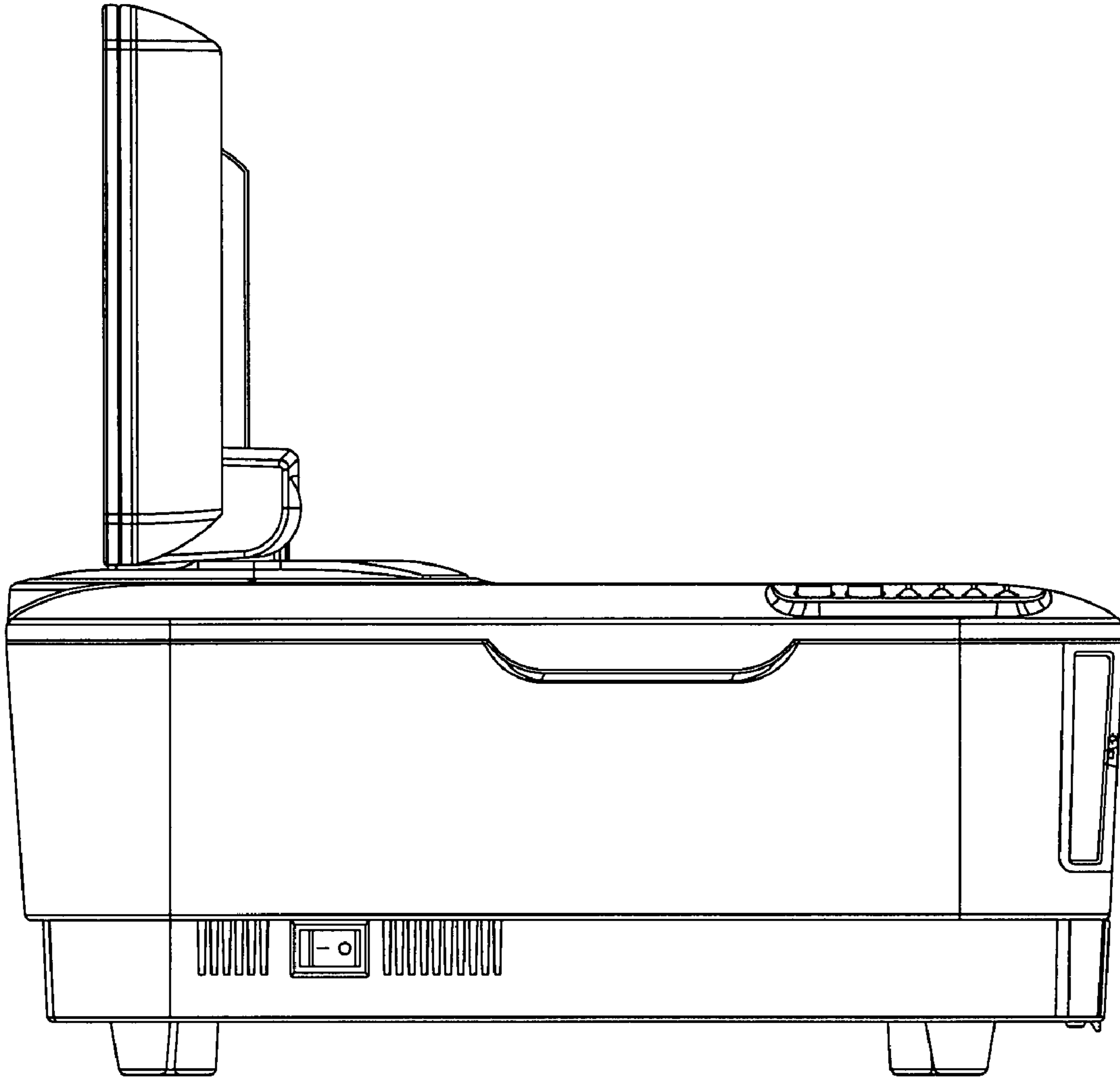


FIG. 3

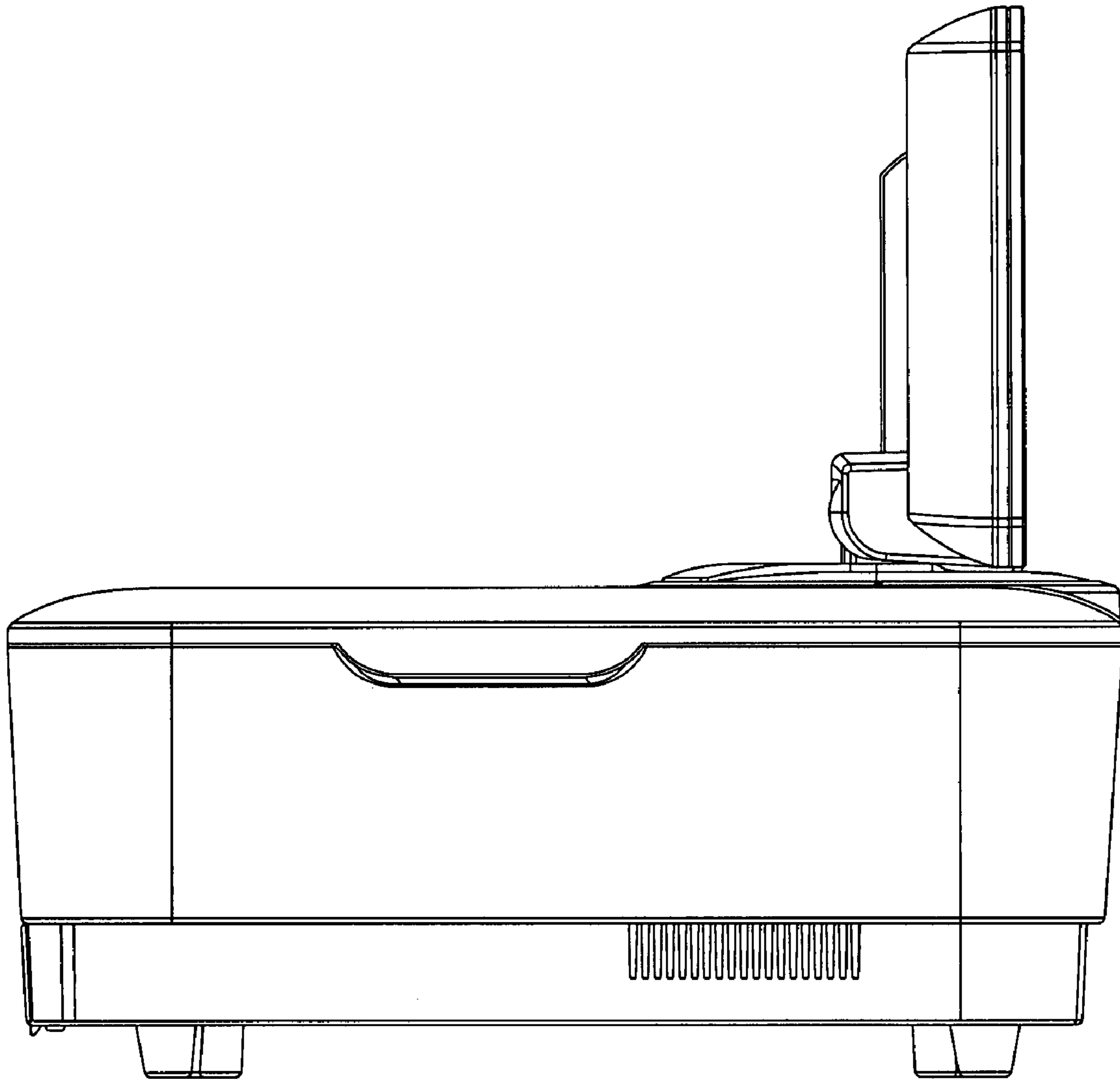


FIG.4

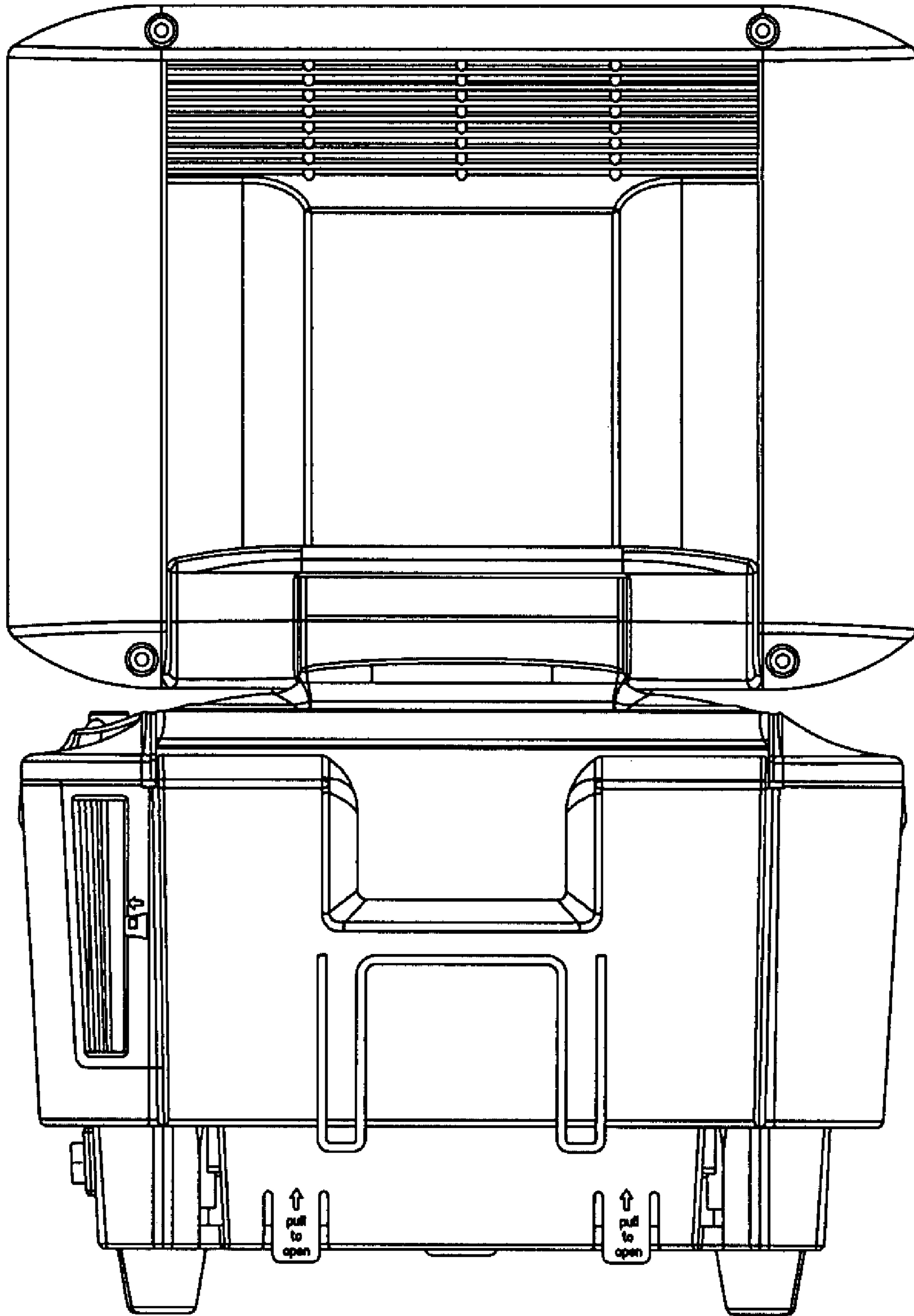


FIG. 5

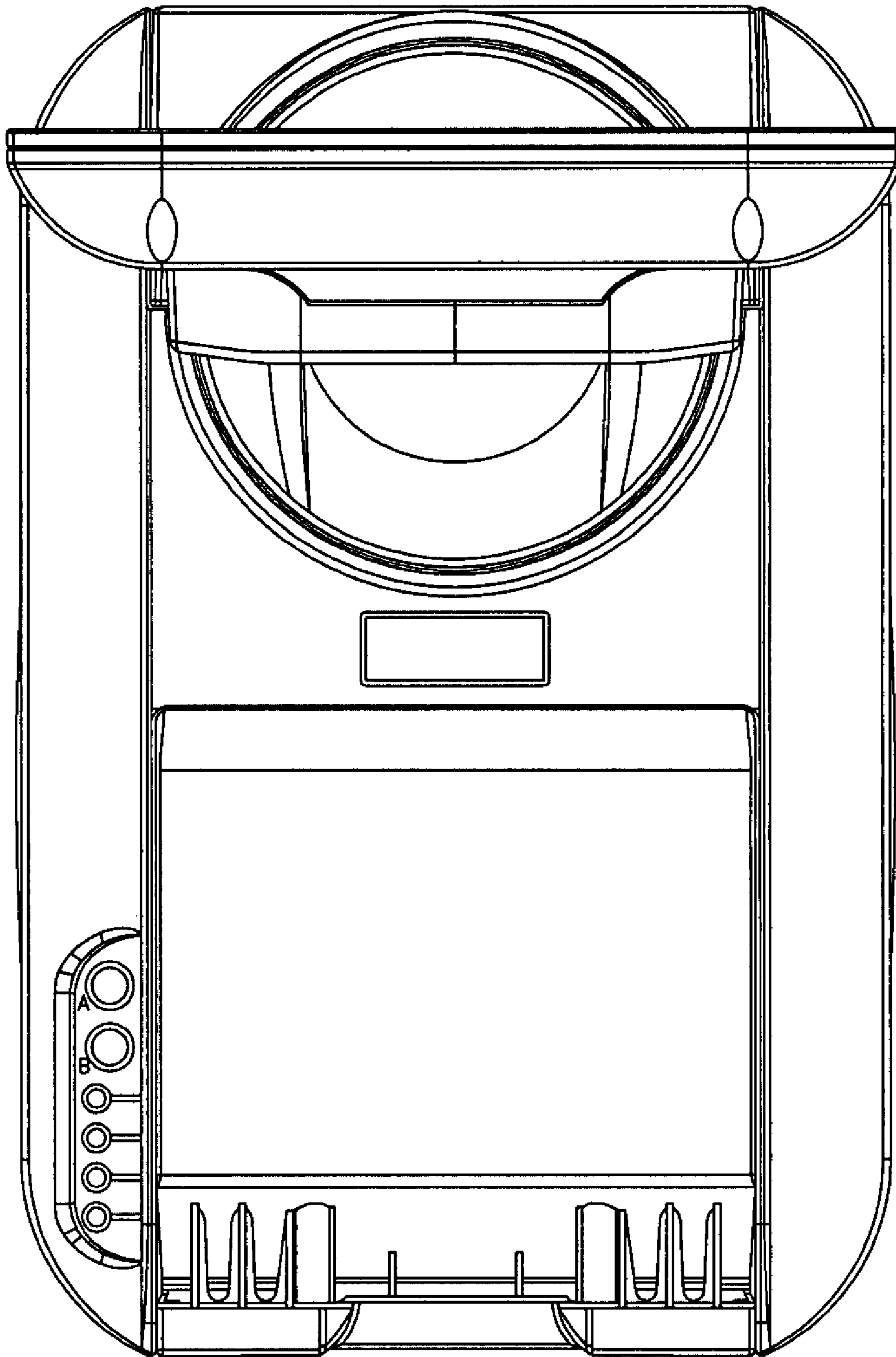


FIG. 6

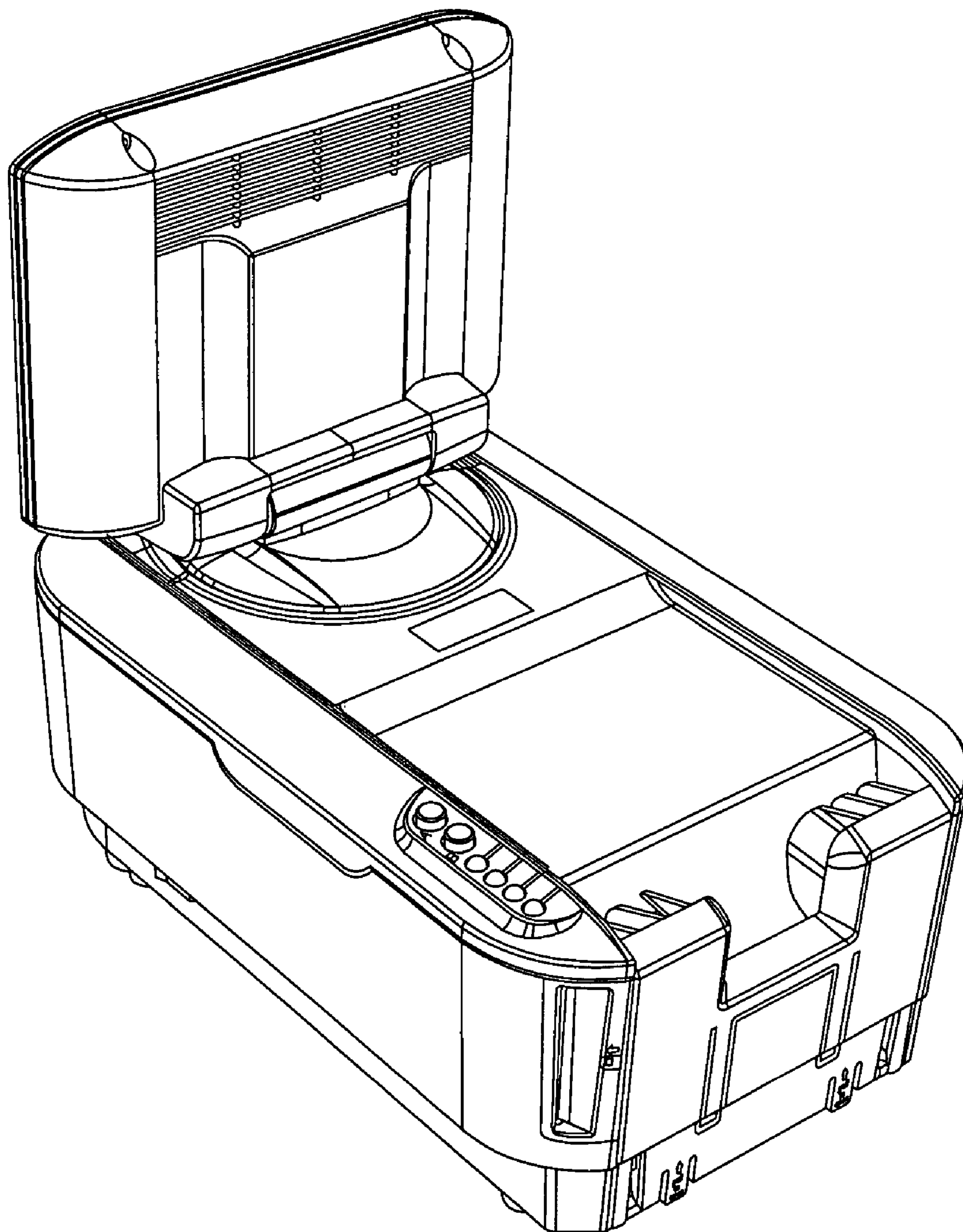


FIG. 7