



US00D563414S

(12) **United States Design Patent**
Mak Pui See et al.

(10) **Patent No.:** **US D563,414 S**
(45) **Date of Patent:** **** Mar. 4, 2008**

(54) **DATA DISC ENCLOSURE**

(75) Inventors: **Stephine Mak Pui See**, Hong Kong (CN); **Donny Chi Kit Leung**, Hong Kong (CN)

(73) Assignee: **VTech Electronics, Ltd.**, Tai Po, N.T. (HK)

(**) Term: **14 Years**

(21) Appl. No.: **29/241,052**

(22) Filed: **Oct. 21, 2005**

(51) **LOC (8) Cl.** **14-02**

(52) **U.S. Cl.** **D14/435**

(58) **Field of Classification Search** 360/99.08, 360/96.5, 98.06, 131-135, 99.04; D14/442, D14/478, 479, 480; 206/308.3; 720/720, 720/726, 738-744; 369/77.11, 77.21, 79, 369/277, 278, 279, 271.1, 282, 291.1
See application file for complete search history.

(56) **References Cited**

U.S. PATENT DOCUMENTS

D231,470 S *	4/1974	Klepa et al.	D14/479
4,908,817 A *	3/1990	Sandell et al.	720/743
D325,468 S *	4/1992	Ohba	D14/479
D374,220 S *	10/1996	Katayama	D14/480
D375,491 S *	11/1996	Hata	D14/480
D397,099 S *	8/1998	Katayama	D14/480
D408,801 S *	4/1999	Sumner et al.	D14/478
D426,241 S *	6/2000	Schick et al.	D14/435
6,205,116 B1 *	3/2001	Hashimoto	720/741
6,236,541 B1 *	5/2001	Takahashi	360/133
6,298,034 B1 *	10/2001	Hashimoto	720/740
D450,053 S *	11/2001	Bush et al.	D14/435
6,441,997 B1 *	8/2002	Blum	360/133
6,504,679 B1 *	1/2003	Ohta	360/133

D473,874 S *	4/2003	Taniguchi et al.	D14/435
D473,875 S *	4/2003	Taniguchi et al.	D14/435
D474,184 S *	5/2003	Taniguchi et al.	D14/435
D474,777 S *	5/2003	Niitsu	D14/478
6,590,858 B2 *	7/2003	Inoue	720/742
6,728,200 B2 *	4/2004	Park et al.	720/737
D494,981 S *	8/2004	Takamori et al.	D14/478
D504,432 S *	4/2005	Bang et al.	D14/435
2001/0028534 A1 *	10/2001	Watanabe	360/133
2002/0021530 A1 *	2/2002	Bracken et al.	360/133
2003/0021061 A1 *	1/2003	Hall	360/99.08
2004/0080870 A1 *	4/2004	Imai	360/133

* cited by examiner

Primary Examiner—M. H. Tung

Assistant Examiner—Susan Moon Lee

(74) *Attorney, Agent, or Firm*—Greenberg Traurig, LLP

(57) **CLAIM**

The ornamental design for data disc enclosure, as shown and described.

DESCRIPTION

FIG. 1 is a side perspective view of the data disc enclosure according to the invention, showing our new ornamental design;

FIG. 2 is a top plan view thereof;

FIG. 3 is a bottom plan view thereof;

FIG. 4 is a rear elevational view thereof;

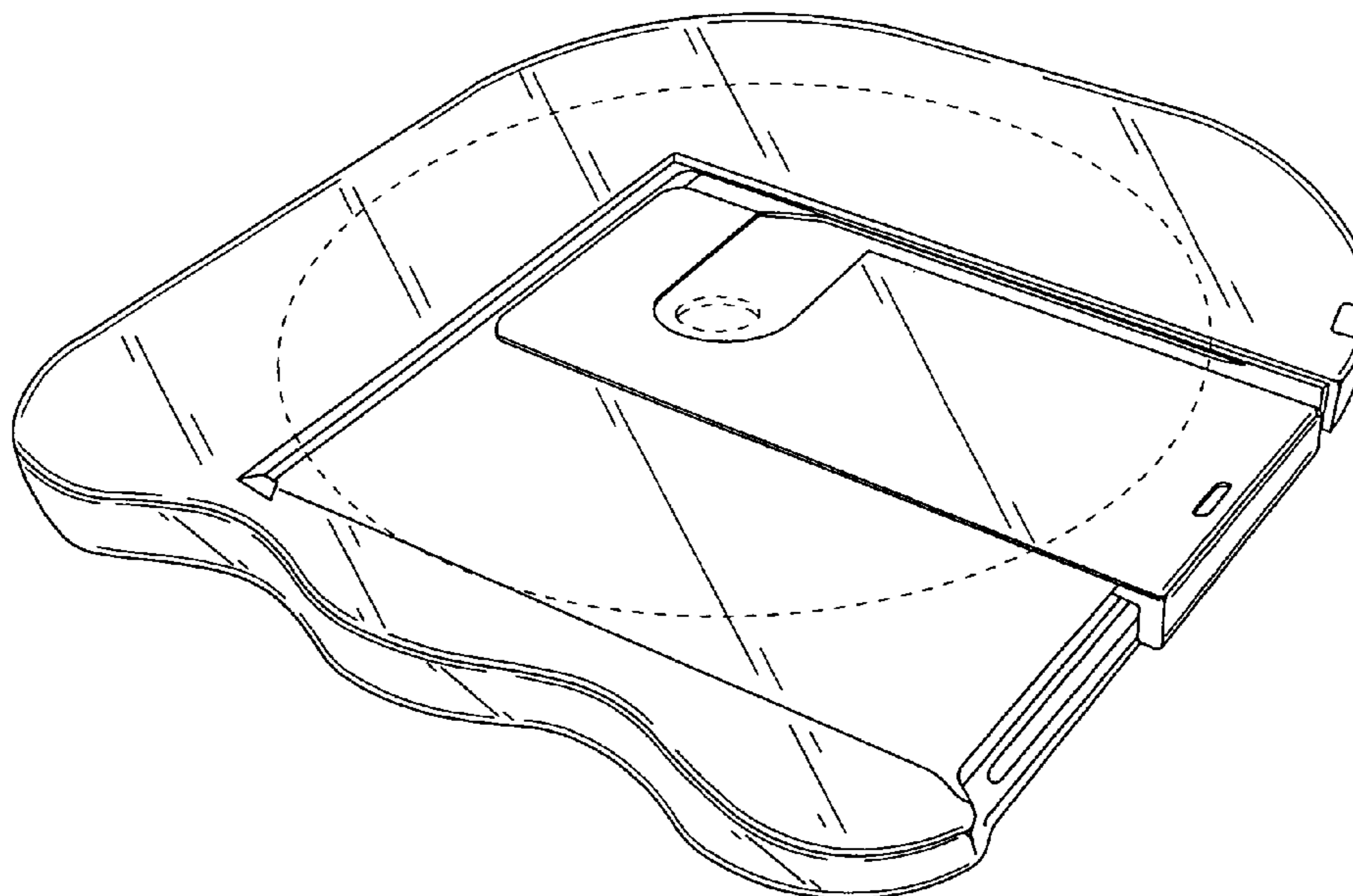
FIG. 5 is a left side elevational view thereof;

FIG. 6 is a right side elevational view thereof; and,

FIG. 7 is a front elevational view thereof.

The broken lines are for illustrative purposes only and form no part of the presently claimed design.

1 Claim, 4 Drawing Sheets



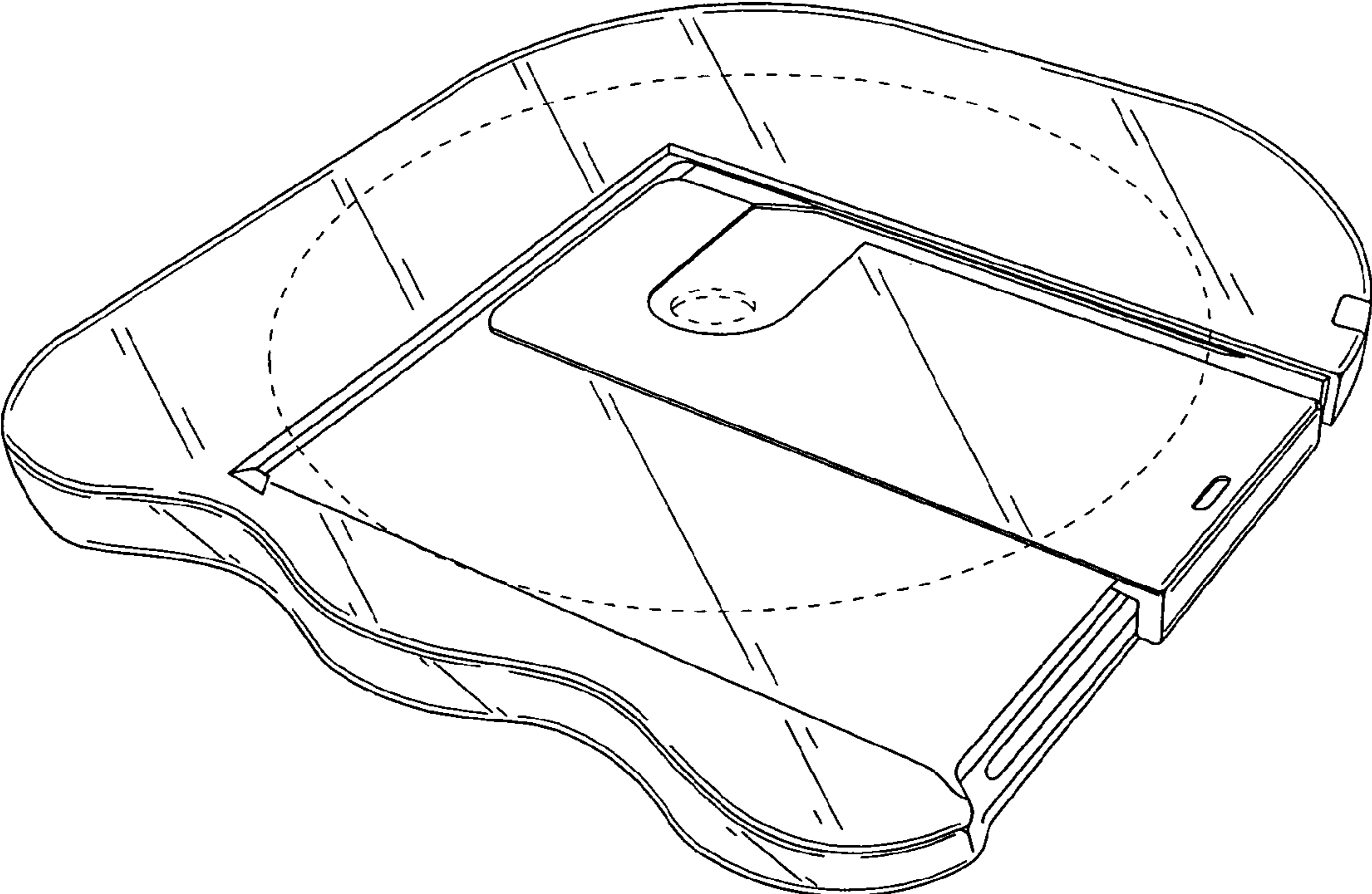


FIG. 1

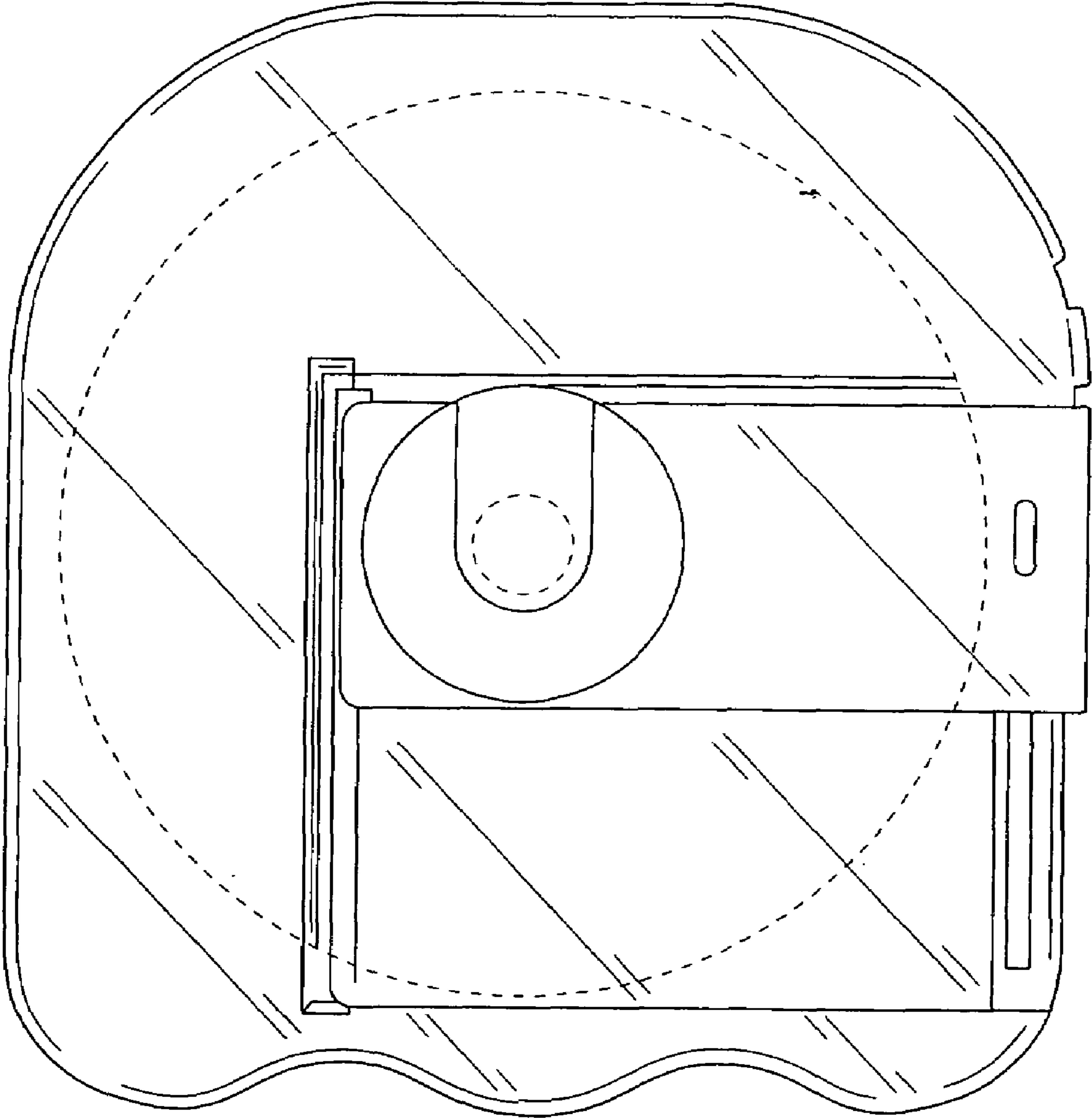


FIG. 2

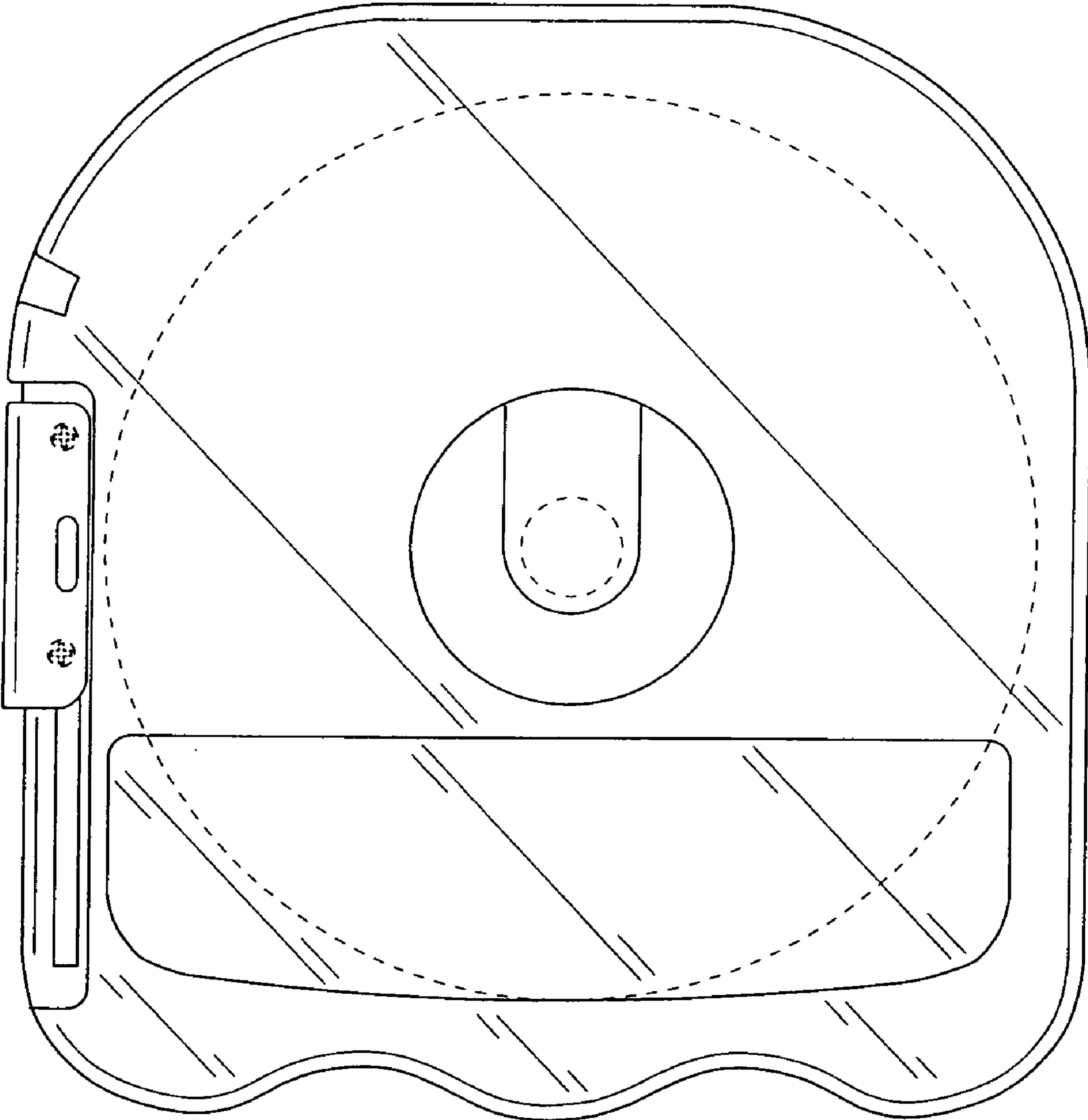


FIG. 3

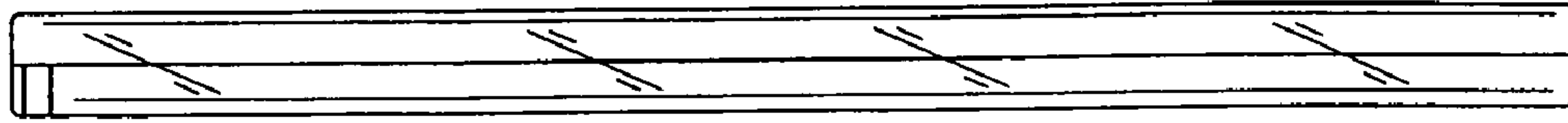


FIG. 4



FIG. 5

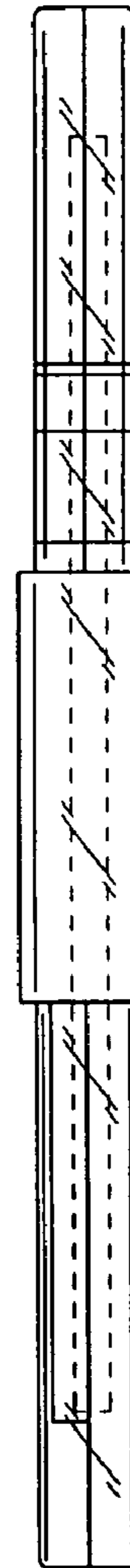


FIG. 6

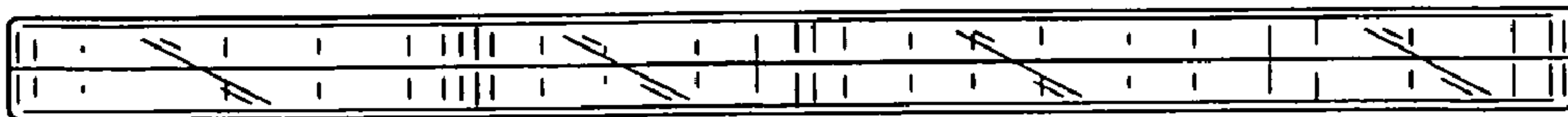


FIG. 7