

US00D563413S

(12) **United States Design Patent**
Kuroda et al.

(10) **Patent No.:** **US D563,413 S**
(45) **Date of Patent:** **** Mar. 4, 2008**

(54) **SCANNER**

(75) Inventors: **Satoshi Kuroda**, Kahoku (JP); **Minoru Sugitani**, Kahoku (JP); **Shuji Hashimoto**, Komatsu (JP); **Takashi Kishimoto**, Musashino (JP)

(73) Assignee: **PFU Limited**, Ishikawa (JP)

(**) Term: **14 Years**

(21) Appl. No.: **29/268,077**

(22) Filed: **Oct. 30, 2006**

(30) **Foreign Application Priority Data**

Jul. 5, 2006 (JP) 2006-17658

(51) **LOC (8) Cl.** **14-02**

(52) **U.S. Cl.** **D14/422**

(58) **Field of Classification Search** D14/420, D14/422, 425, 462-470, 424, 389, 125, 399; D18/54, 55, 50, 53, 36-39, 14, 18-21, 49, D18/46, 52, 56, 51, 54.4; D13/164, 168; 358/400, 401, 448, 474, 486-488, 496, 497, 358/473, 302, 468, 498; 382/312, 317, 321, 382/315; 400/613, 613.1-613.4, 690.1-690.4, 400/691-694, 88, 175; 399/107, 379, 380, 399/211, 212; 235/462.11, 462.41, 472.01, 235/470, 462.43; 361/680, 681; 378/177, 378/187, 188; 101/93.4, 269; 355/78; D24/165, D24/169, 186; 600/502, 503, 499, 494, 490, 600/485, 500, 492, 480, 493, 495, 479; 128/900; 16/286; 347/104, 109, 5; 271/186, 225, 271/126, 121, 137, 138

See application file for complete search history.

(56) **References Cited**

U.S. PATENT DOCUMENTS

- D231,539 S * 4/1974 MacConkey et al. D14/462
- D249,797 S * 10/1978 Van Acker et al. D18/36
- D286,437 S * 10/1986 Nishibori D24/165
- D286,640 S * 11/1986 Miyazaki D18/54

- D293,578 S * 1/1988 Matsumoto et al. D18/55
- D301,141 S * 5/1989 Sugimoto D18/54
- 4,904,100 A * 2/1990 Enix 400/613
- D307,157 S * 4/1990 Sakaguchi et al. D18/54
- D309,298 S * 7/1990 Pushelberg D14/242
- D314,972 S * 2/1991 Osaka et al. D18/54
- D317,014 S * 5/1991 Oyamada et al. D18/54
- 5,061,097 A * 10/1991 Piatt 400/619
- D321,898 S * 11/1991 Kasee et al. D18/55
- D329,862 S * 9/1992 Watanabe et al. D16/208
- D333,302 S * 2/1993 Ebihara et al. D14/462
- 5,236,265 A * 8/1993 Saito et al. 400/88

(Continued)

Primary Examiner—Melanie Tung
Assistant Examiner—Susan Moon Lee
(74) *Attorney, Agent, or Firm*—Staas & Halsey LLP

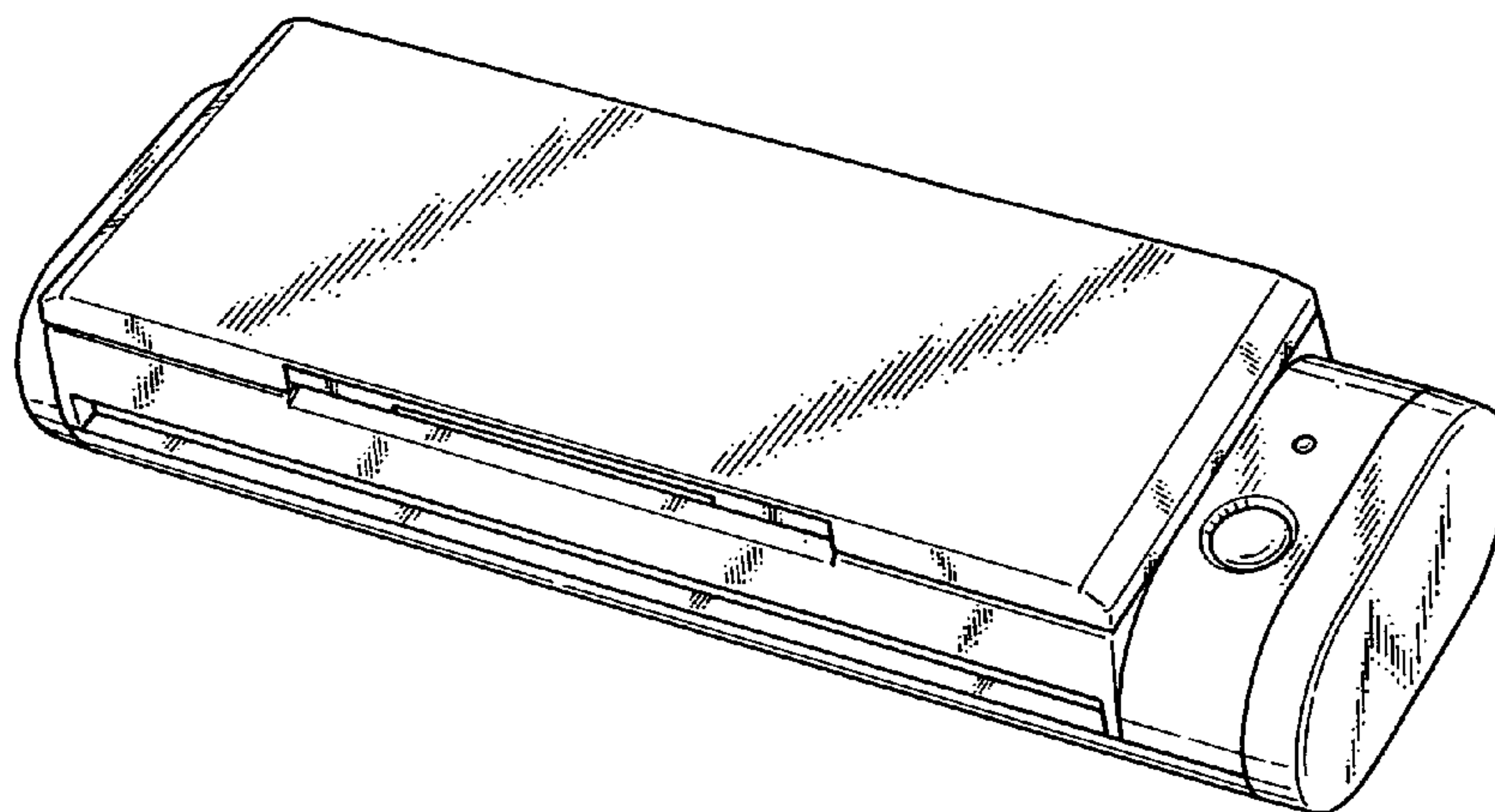
(57) **CLAIM**

The ornamental design for a scanner, as shown and described.

DESCRIPTION

FIG. 1 is a front perspective view of a scanner showing our new design;
FIG. 2 is a front view thereof;
FIG. 3 is a rear view thereof;
FIG. 4 is a left side elevational view thereof, the right side elevational view is a mirror image of the left side view;
FIG. 5 is a top plan view thereof;
FIG. 6 is a bottom plan view thereof; and,
FIG. 7 is a front perspective view similar to FIG. 1 in the open position with a guide extended from the chute.
The broken line in the drawings is for illustrative purpose only and forms no part of the claimed design.

1 Claim, 3 Drawing Sheets



US D563,413 S

Page 2

U.S. PATENT DOCUMENTS

D339,372 S *	9/1993	Kando	D18/50	6,250,827 B1 *	6/2001	Nojima et al.	400/691
D339,576 S *	9/1993	Sawada et al.	D14/462	D450,345 S *	11/2001	Miyazaki	D18/50
D345,353 S *	3/1994	Dietrich	D14/462	6,382,761 B1 *	5/2002	Asano et al.	347/19
D350,764 S *	9/1994	Gray et al.	D18/19	6,382,858 B1 *	5/2002	Nojima et al.	400/691
D352,731 S *	11/1994	Sugimoto	D18/50	D459,389 S *	6/2002	Kaseno	D18/50
5,423,529 A *	6/1995	Saito et al.	271/127	D463,485 S *	9/2002	Yoshida et al.	D18/50
D361,084 S *	8/1995	Yamanaka et al.	D18/50	D466,920 S *	12/2002	Kawahara et al.	D18/50
D362,267 S *	9/1995	Yamanaka et al.	D18/50	D466,921 S *	12/2002	Senshiki	D18/54
D368,255 S *	3/1996	Sasaki et al.	D14/420	6,556,314 B1 *	4/2003	Shiraishi et al.	358/471
5,531,431 A *	7/1996	Saito et al.	271/4.01	6,568,674 B2 *	5/2003	Matsuda	271/274
D374,888 S *	10/1996	Udagawa	D18/50	D483,059 S *	12/2003	Goh et al.	D18/50
D384,945 S *	10/1997	Takada et al.	D14/420	D483,061 S *	12/2003	Wong	D18/55
5,737,097 A *	4/1998	Fujimoto	358/476	D486,178 S *	2/2004	Wong et al.	D18/55
D401,614 S *	11/1998	Moriyama	D18/36	D490,845 S *	6/2004	Fukushima	D18/50
D401,965 S *	12/1998	Pangburn	D18/55	6,786,665 B2 *	9/2004	Hwang et al.	400/693
D409,233 S *	5/1999	Kondo	D18/54	D497,940 S *	11/2004	Hwang et al.	D18/50
D420,446 S *	2/2000	Kehr et al.	D24/186	7,265,869 B2 *	9/2007	Silverbrook et al.	358/1.3
D428,623 S *	7/2000	Igarashi	D18/54	2003/0206762 A1 *	11/2003	Hwang et al.	400/693
6,200,043 B1 *	3/2001	Inoue et al.	400/88	2004/0004642 A1 *	1/2004	Koike et al.	347/5
D440,246 S *	4/2001	Yin	D18/50	2004/0067089 A1 *	4/2004	Tanaami et al.	400/693
D443,889 S *	6/2001	Yamano et al.	D18/50				

* cited by examiner

Fig.1

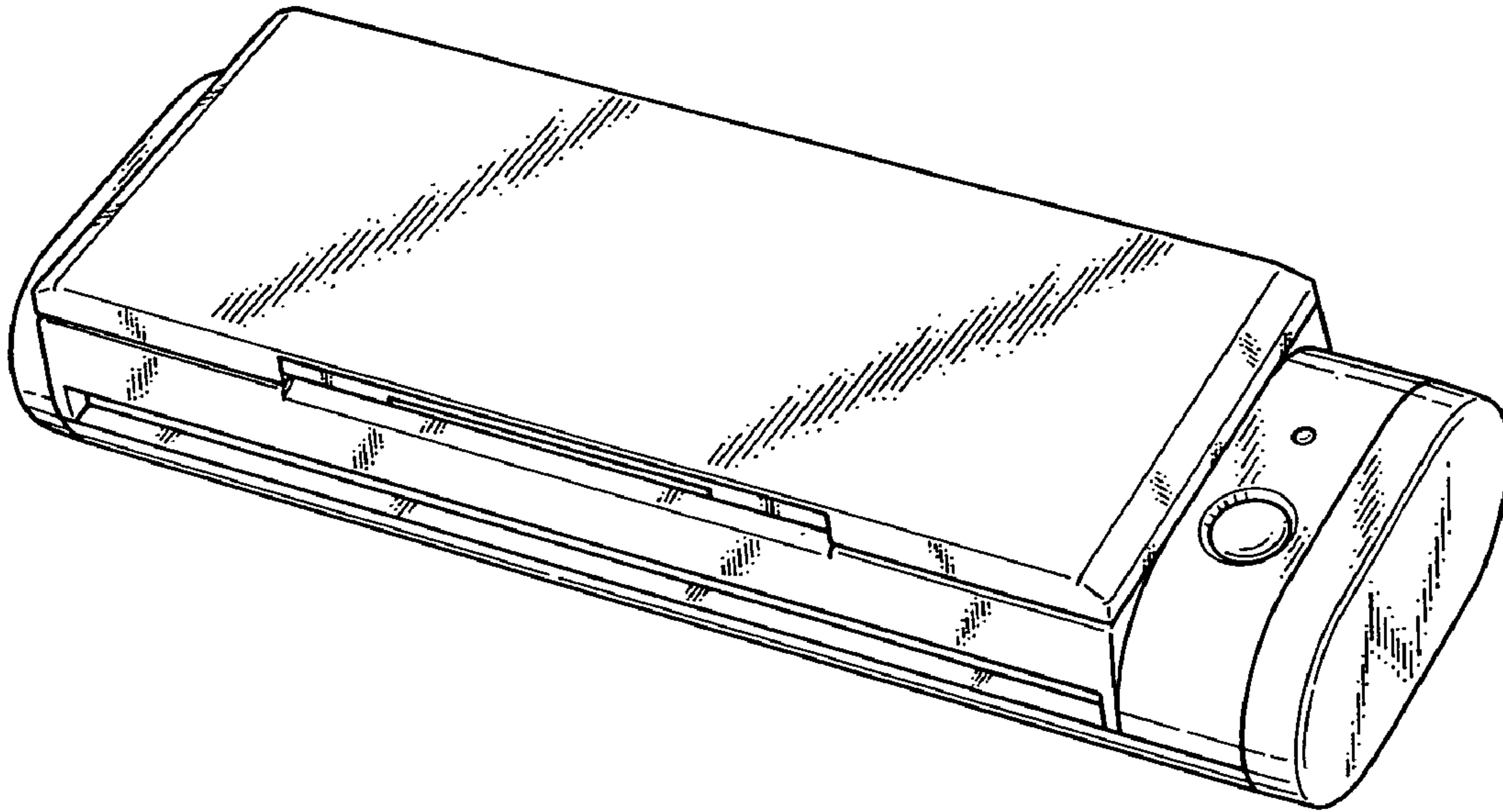


Fig.2

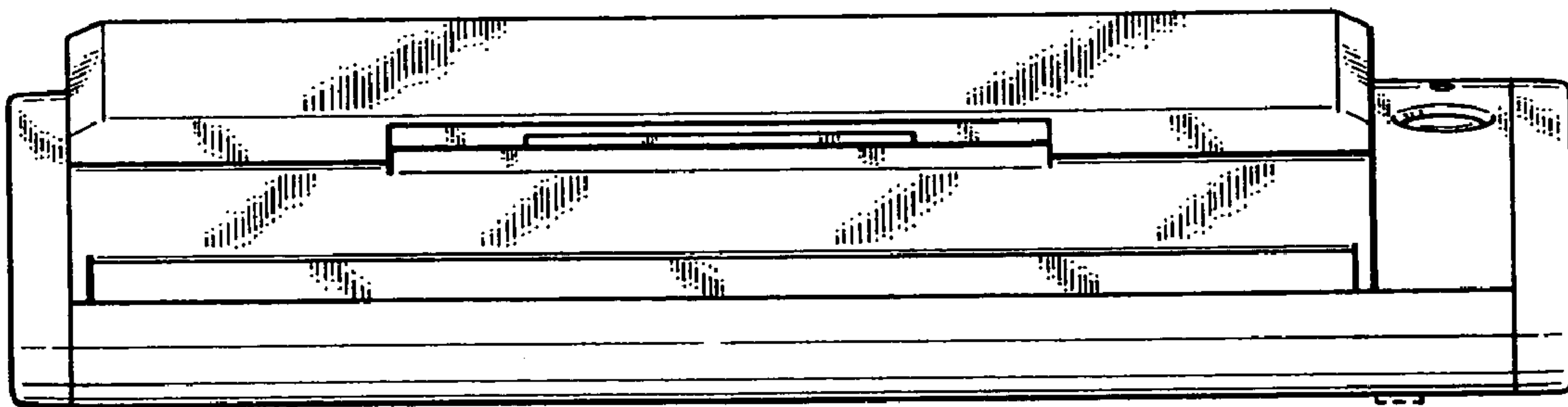


Fig.3

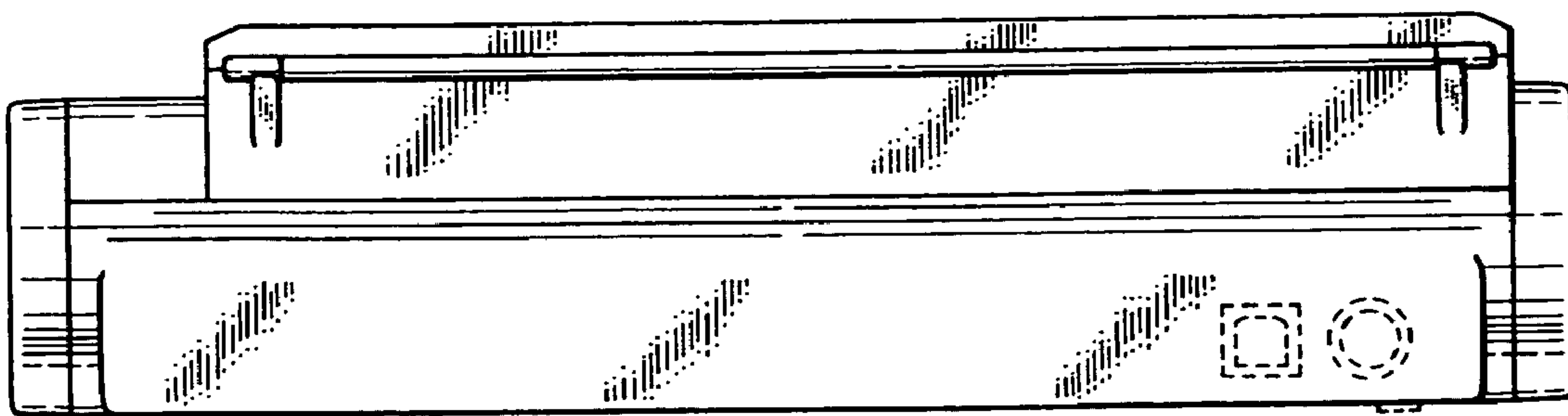


Fig.4

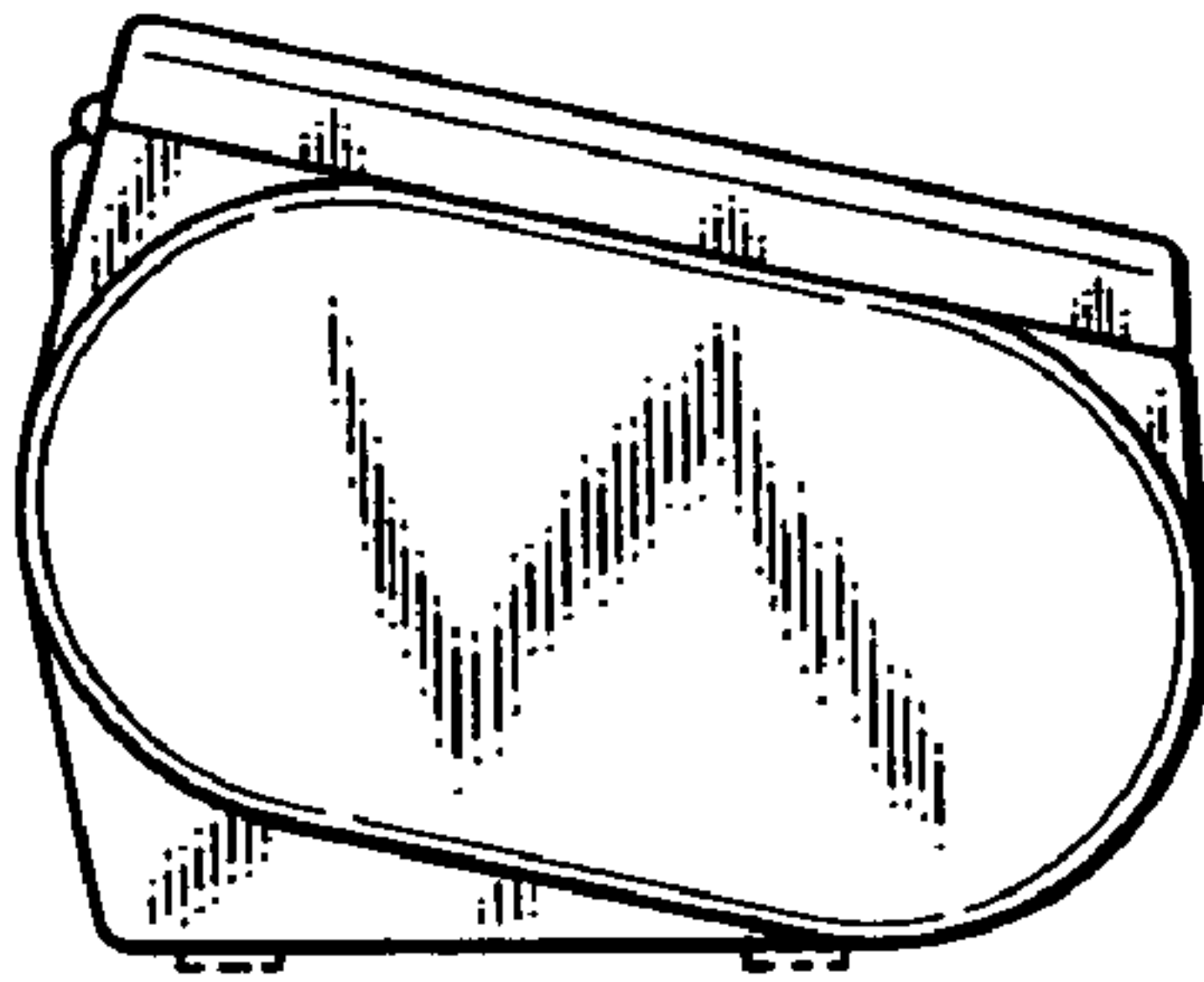


Fig.5

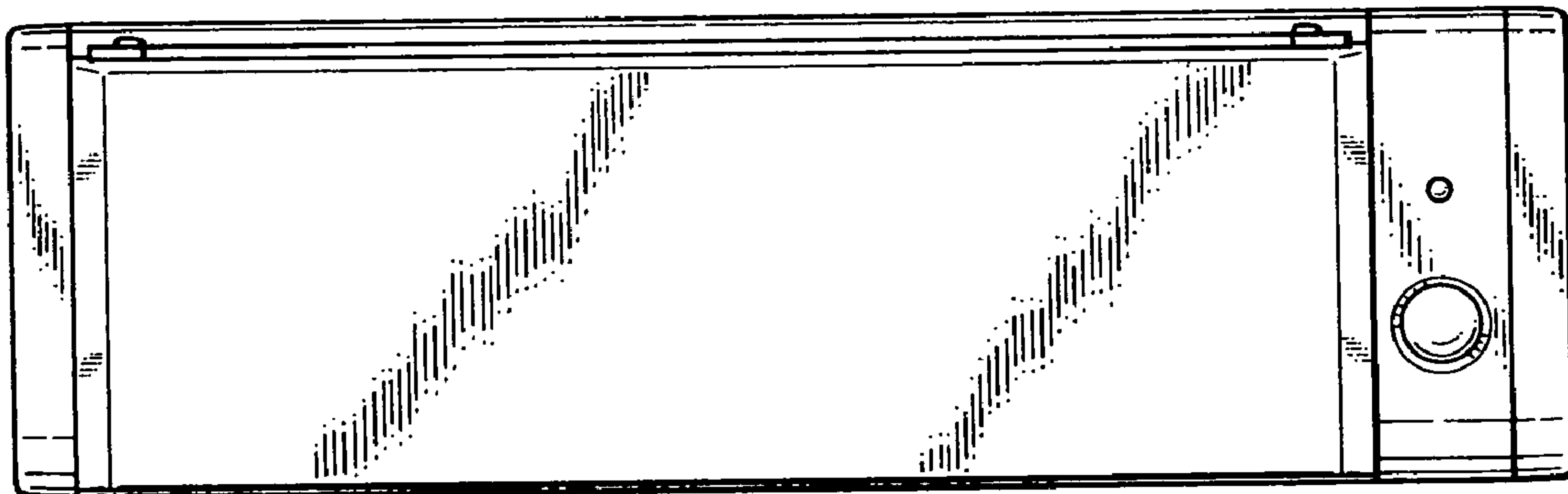


Fig.6

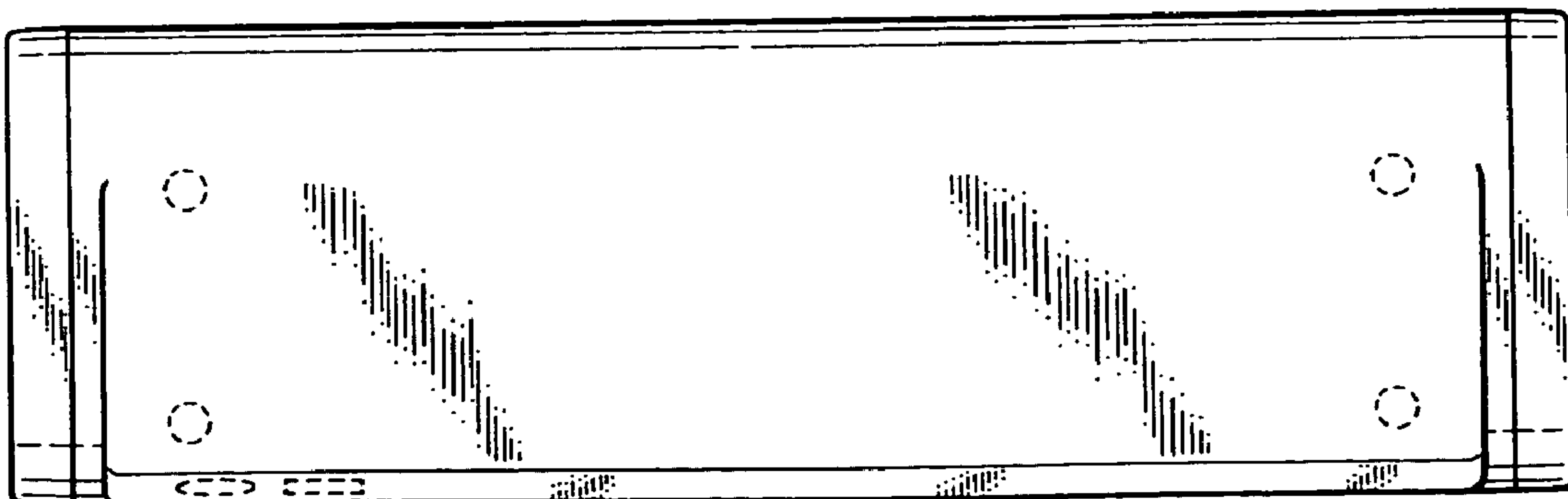


Fig.7

