



US00D563409S

(12) **United States Design Patent**
Liu

(10) **Patent No.:** **US D563,409 S**
(45) **Date of Patent:** **** Mar. 4, 2008**

(54) **GAME CONTROLLER**

(75) Inventor: **Chia-Chang Liu, Tu-Cheng (TW)**

(73) Assignee: **Cheng Uei Precision Industry Co., Ltd., Taipei Hsien (TW)**

(**) Term: **14 Years**

(21) Appl. No.: **29/274,974**

(22) Filed: **Jun. 14, 2007**

(51) **LOC (8) Cl.** **14-03**

(52) **U.S. Cl.** **D14/400; D21/328; D21/333**

(58) **Field of Classification Search** D14/399-401,
D14/412, 356, 432, 454, 496; 273/148 B,
273/148 R; 463/1, 29, 43-47; 345/156,
345/161, 168, 169; 74/469, 471 R, 471 XY;
D21/324-328, 330-333

See application file for complete search history.

(56) **References Cited**

U.S. PATENT DOCUMENTS

- 4,969,647 A * 11/1990 Mical et al. 463/31
- D320,624 S * 10/1991 Taylor D21/331
- 5,207,426 A * 5/1993 Inoue et al. 463/36
- D338,242 S * 8/1993 Cordell D14/401
- 5,259,626 A * 11/1993 Ho 463/37
- D345,164 S * 3/1994 Grae D14/401
- D360,903 S * 8/1995 Barr et al. D14/401

- 5,523,800 A * 6/1996 Dudek 348/734
- 5,643,087 A * 7/1997 Marcus et al. 463/38
- 5,769,719 A * 6/1998 Hsu 463/37
- 5,785,317 A * 7/1998 Sasaki 273/148 B
- D502,468 S * 3/2005 Knight et al. D14/400

* cited by examiner

Primary Examiner—Prabhakar Deshmukh

(74) *Attorney, Agent, or Firm*—Rosenberg, Klein & Lee

(57) **CLAIM**

The ornamental design for a game controller, as shown and described.

DESCRIPTION

FIG. 1 is a perspective view of a game controller showing my new design;

FIG. 2 is a front elevational view thereof;

FIG. 3 is a rear elevational view thereof;

FIG. 4 is a left side elevational view thereof;

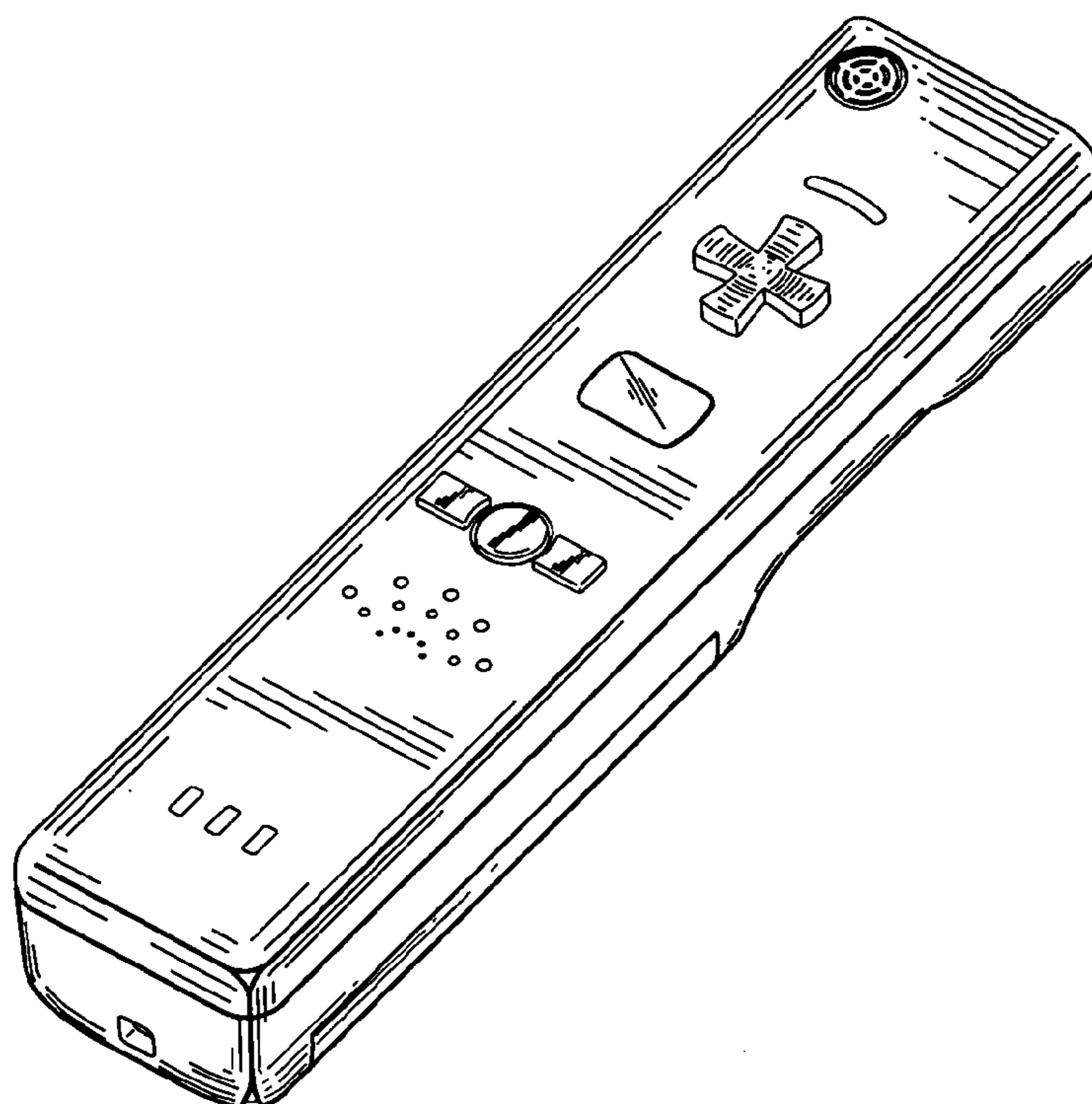
FIG. 5 is a right side elevational view thereof;

FIG. 6 is a top plan view thereof;

FIG. 7 is a bottom plan view thereof; and,

FIG. 8 is another perspective view of the game controller showing my new design.

1 Claim, 8 Drawing Sheets



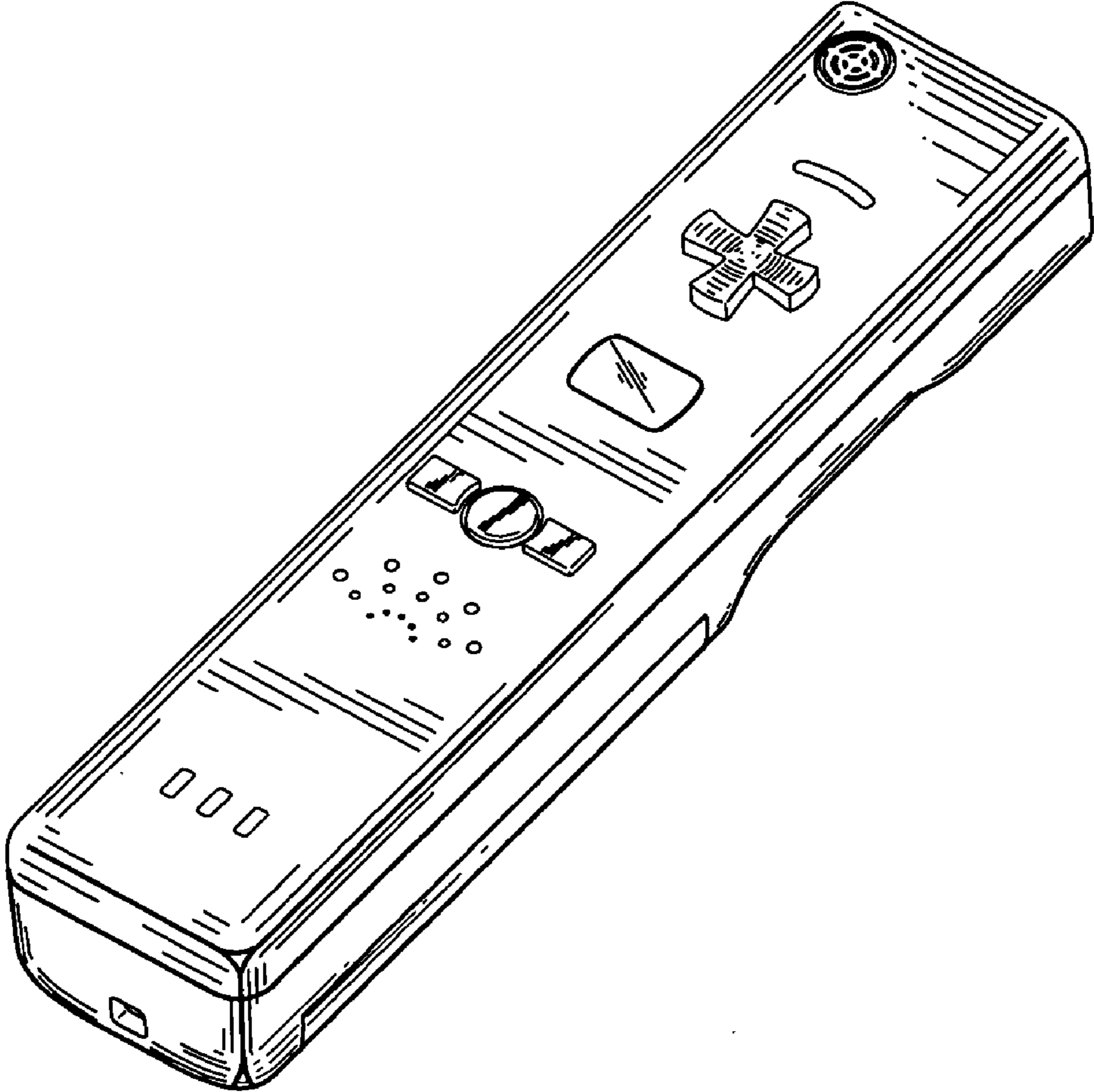


FIG. 1

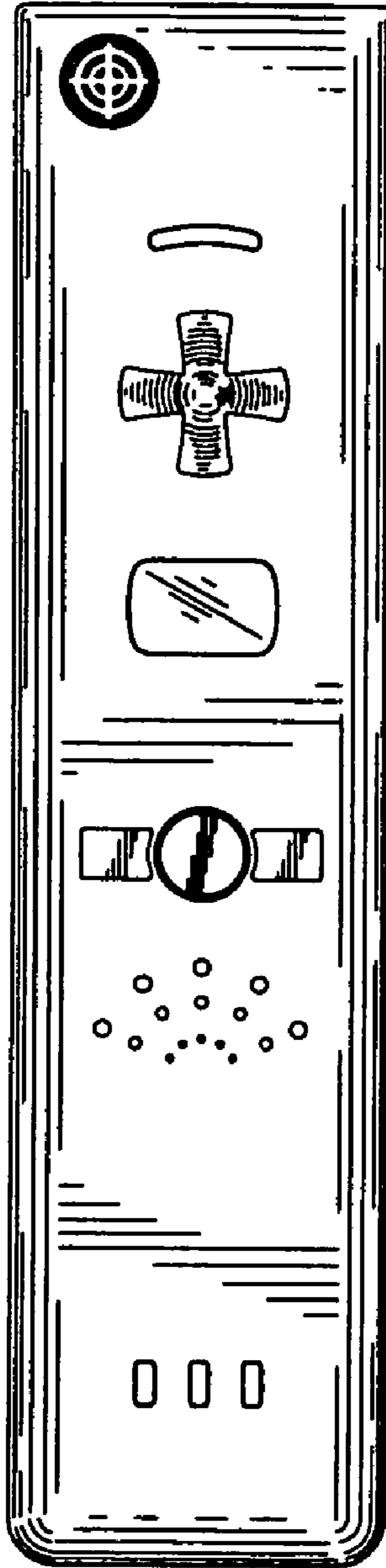


FIG. 2

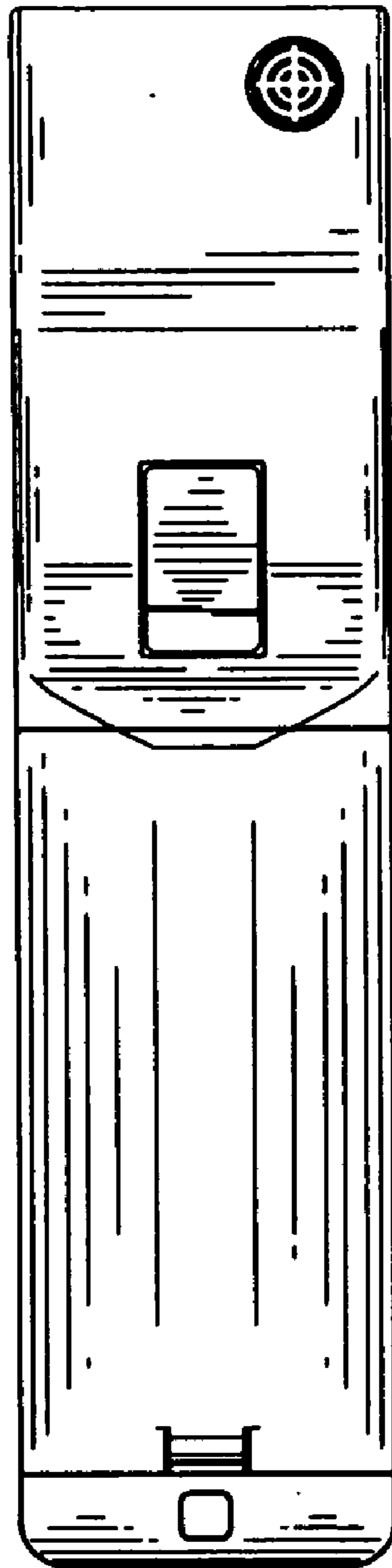


FIG. 3

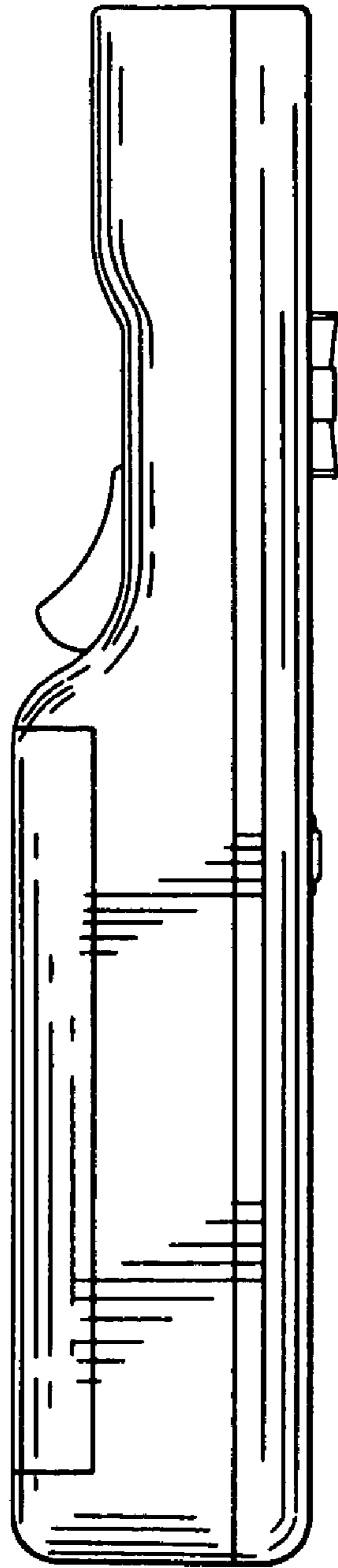


FIG. 4

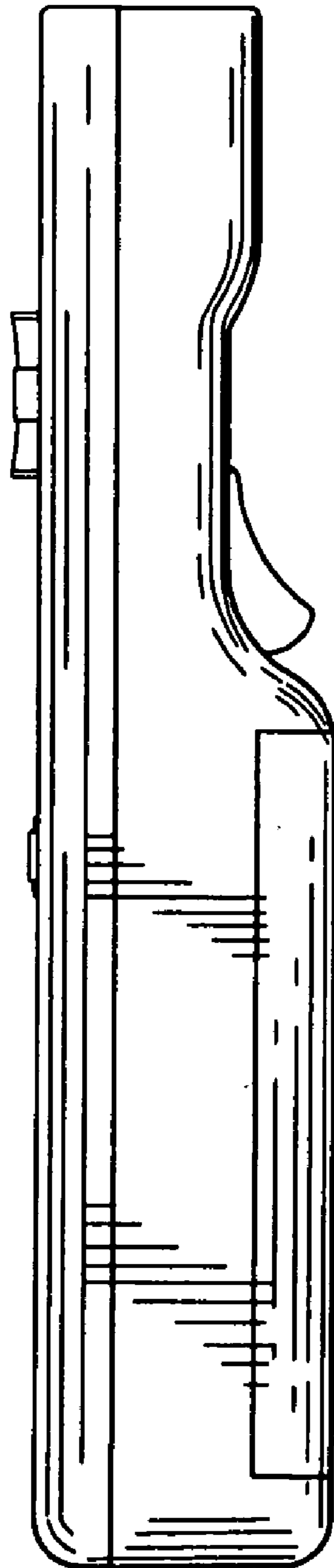


FIG. 5

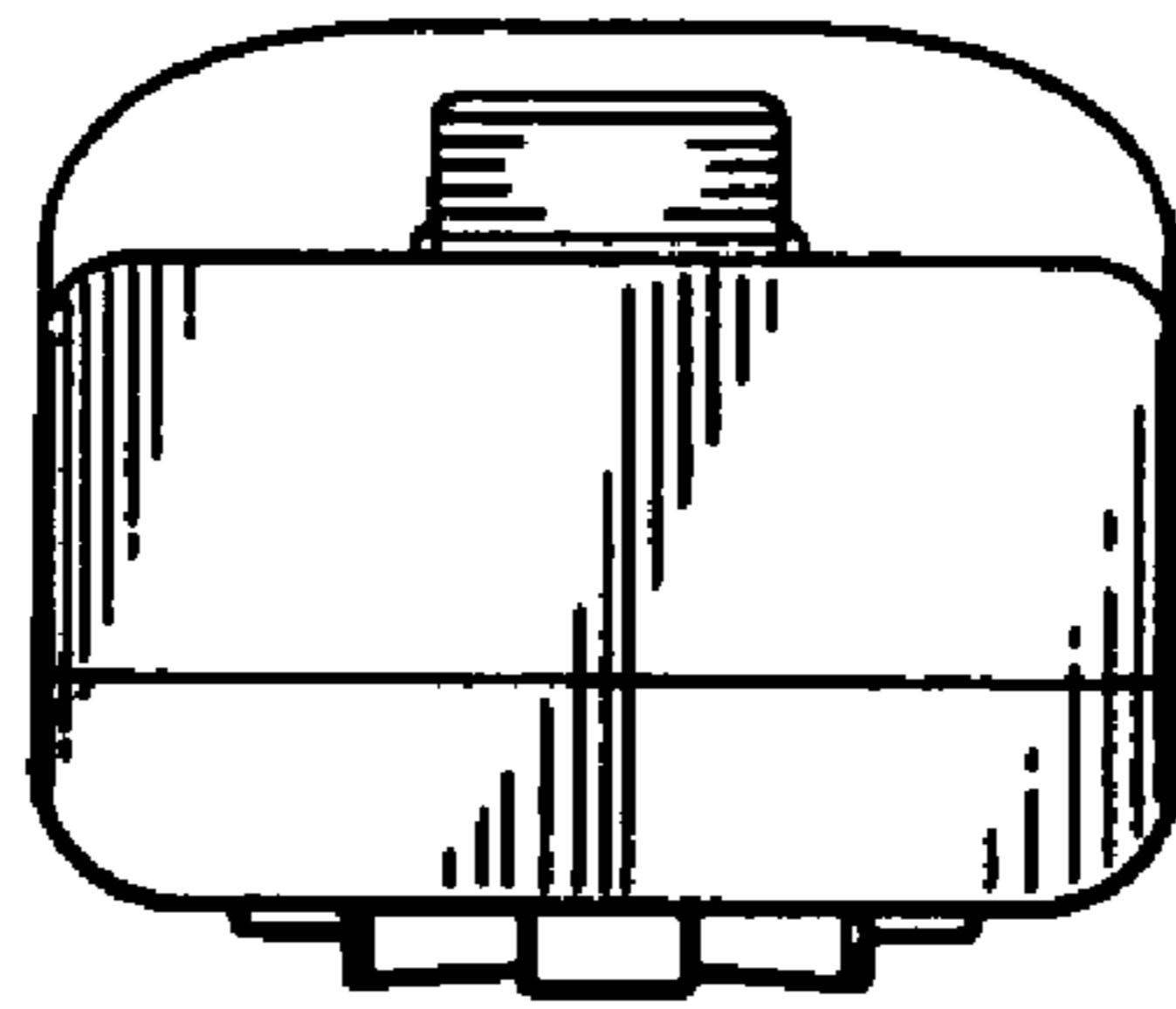


FIG. 6

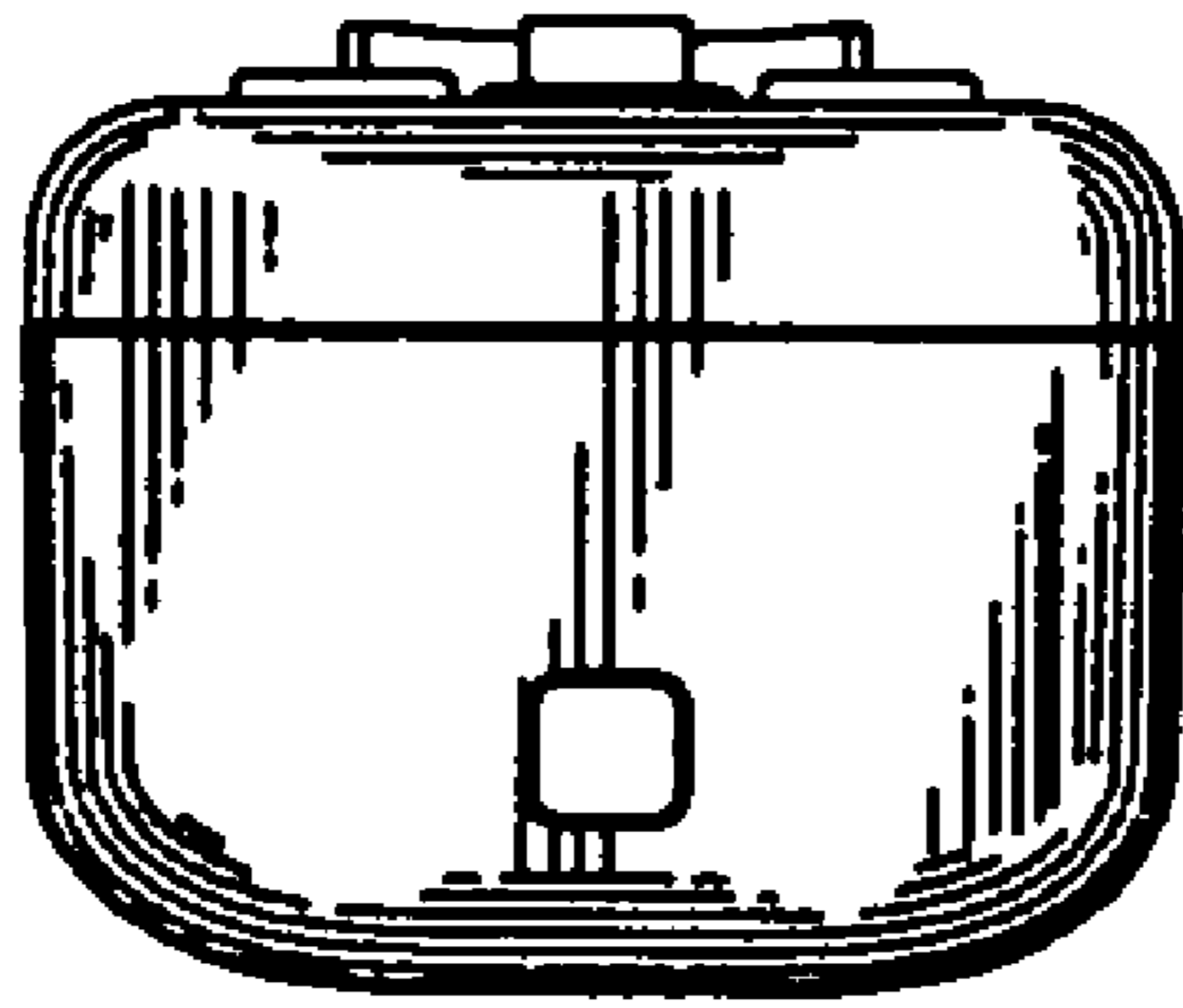


FIG. 7

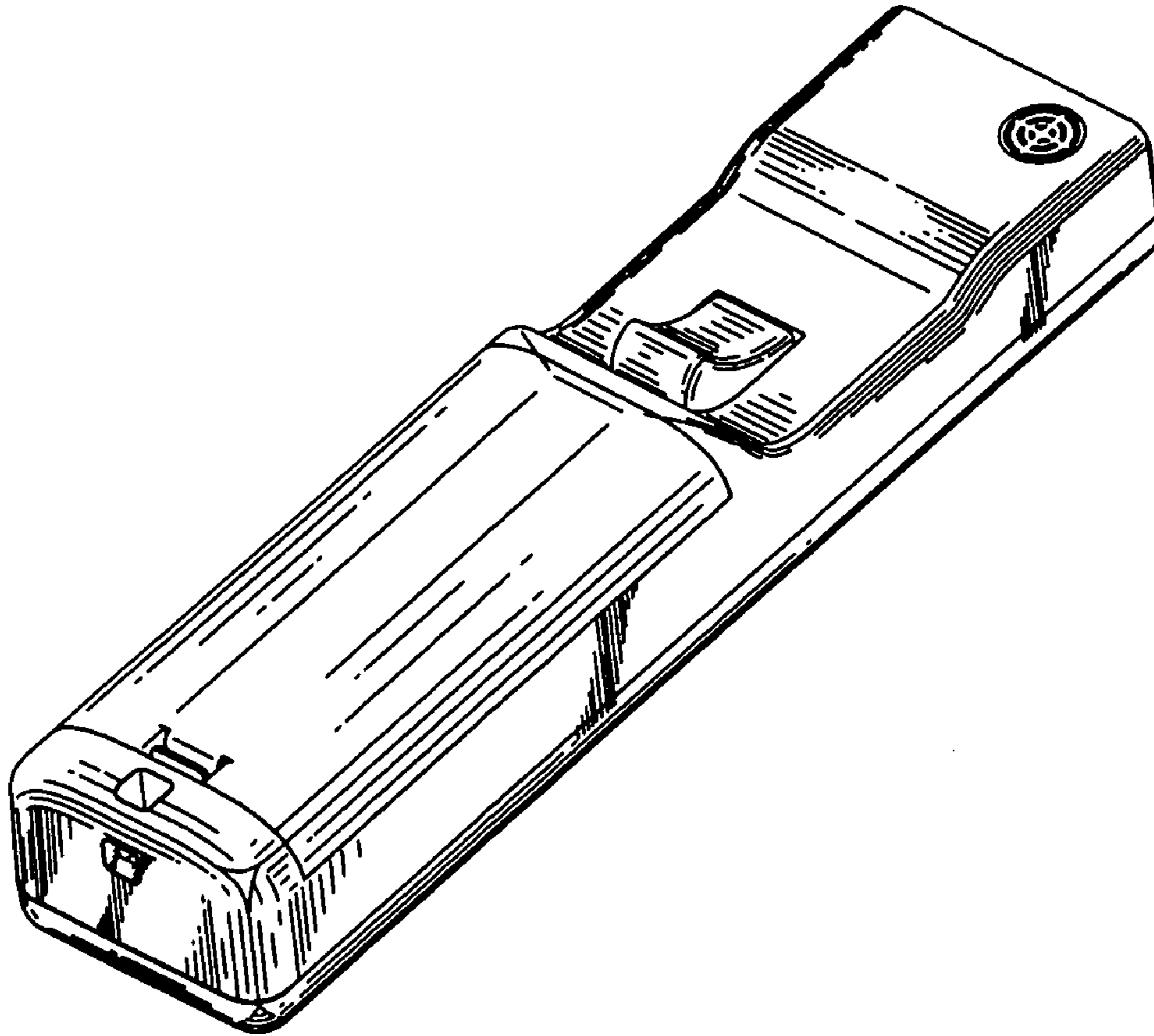


FIG. 8