



US00D563406S

(12) **United States Design Patent**
Kato

(10) **Patent No.:** **US D563,406 S**

(45) **Date of Patent:** **** Mar. 4, 2008**

(54) **CARD READER**

(75) Inventor: **Masaki Kato**, Yamagata (JP)

(73) Assignee: **Mitsumi Electric Co., Ltd**, Tokyo (JP)

(**) Term: **14 Years**

(21) Appl. No.: **29/274,126**

(22) Filed: **Mar. 29, 2007**

(30) **Foreign Application Priority Data**

Nov. 28, 2006 (JP) 2006-032483

(51) **LOC (8) Cl.** **14-02**

(52) **U.S. Cl.** **D14/385**

(58) **Field of Classification Search** D14/240,
D14/356-358, 363, 365, 367-370, 383-386,
D14/389, 432, 434, 441, 442, 344, 347, 387,
D14/125, 341, 433, 439; D18/4.1-4.6; D13/162,
D13/164, 177, 184; 361/600, 737, 685, 724-727,
361/689, 818, 684, 686, 728, 747; 235/382,
235/382.5, 476, 482, 483; 355/64, 65, 81;
250/556; 369/75.11; 710/300, 301
See application file for complete search history.

(56) **References Cited**

U.S. PATENT DOCUMENTS

5,330,360 A * 7/1994 Marsh et al. 361/737
D354,277 S * 1/1995 Kuzumoto et al. D14/434
D363,474 S * 10/1995 Takasu et al. D14/369
D404,383 S * 1/1999 Chang D14/367
5,897,178 A * 4/1999 Ohara 361/725
5,926,916 A * 7/1999 Lee et al. 361/724
D434,774 S * 12/2000 Alo et al. D14/442
D455,422 S * 4/2002 Bath D14/301
D482,364 S * 11/2003 Nishio et al. D14/433
D484,881 S * 1/2004 Lai D14/385
D490,425 S * 5/2004 Nishio et al. D14/367

D492,683 S * 7/2004 Nishio et al. D14/367
D493,171 S * 7/2004 Nishio et al. D14/367
D502,947 S * 3/2005 Zhang et al. D14/385
D515,575 S * 2/2006 Dong et al. D14/385
D518,823 S * 4/2006 Huang D14/367
7,035,098 B2 * 4/2006 Huang et al. 361/685
D522,511 S * 6/2006 Sekou D14/385
D529,492 S * 10/2006 Hino et al. D14/348
2005/0128919 A1 * 6/2005 Huang et al. 369/75.11
2006/0209507 A1 * 9/2006 Sidle et al. 361/685
2006/0227501 A1 * 10/2006 Lin 361/685
2007/0030638 A1 * 2/2007 Rumney 361/685
2007/0159800 A1 * 7/2007 Matsui 361/724

OTHER PUBLICATIONS

U.S. Appl. No. 29/274,121, filed Mar. 29, 2007, Masaski Kato.
U.S. Appl. No. 29/274,127, filed Mar. 29, 2007, Masaski Kato.
U.S. Appl. No. 29/274,122, filed Mar. 29, 2007, Masaki Kato.

* cited by examiner

Primary Examiner—Cathron Brooks
Assistant Examiner—Deanna Fluegeman
(74) *Attorney, Agent, or Firm*—Sughrue Mion, PLLC

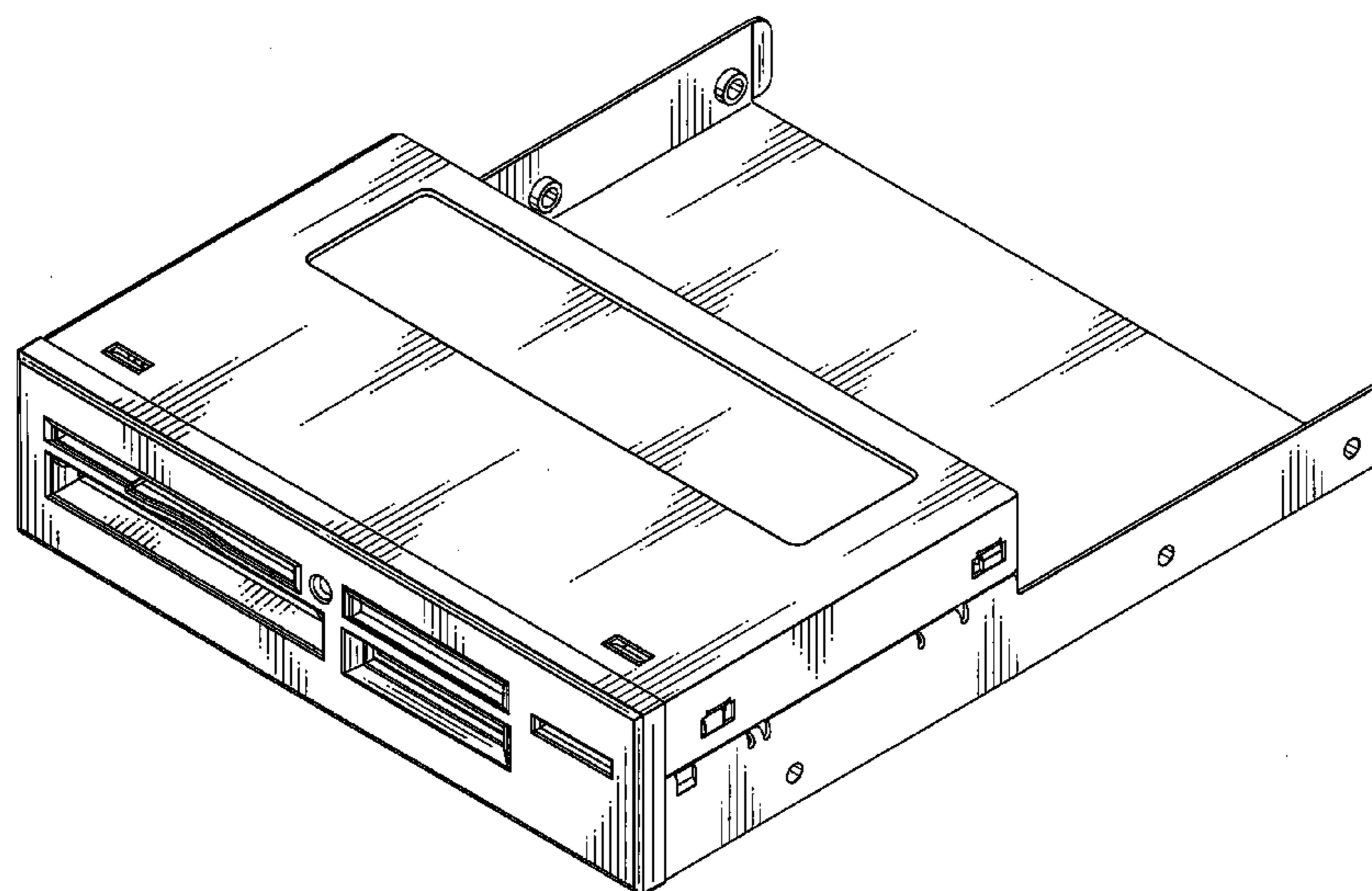
(57) **CLAIM**

The ornamental design for a card reader, as shown.

DESCRIPTION

FIG. 1 is a perspective view of the top, front and right side of a card reader showing my new design;
FIG. 2 is a front elevational view thereof;
FIG. 3 is a rear elevational view thereof;
FIG. 4 is a right side elevational view thereof;
FIG. 5 is a left side elevational view thereof;
FIG. 6 is a top plan view thereof; and,
FIG. 7 is a bottom plan view thereof.

1 Claim, 5 Drawing Sheets



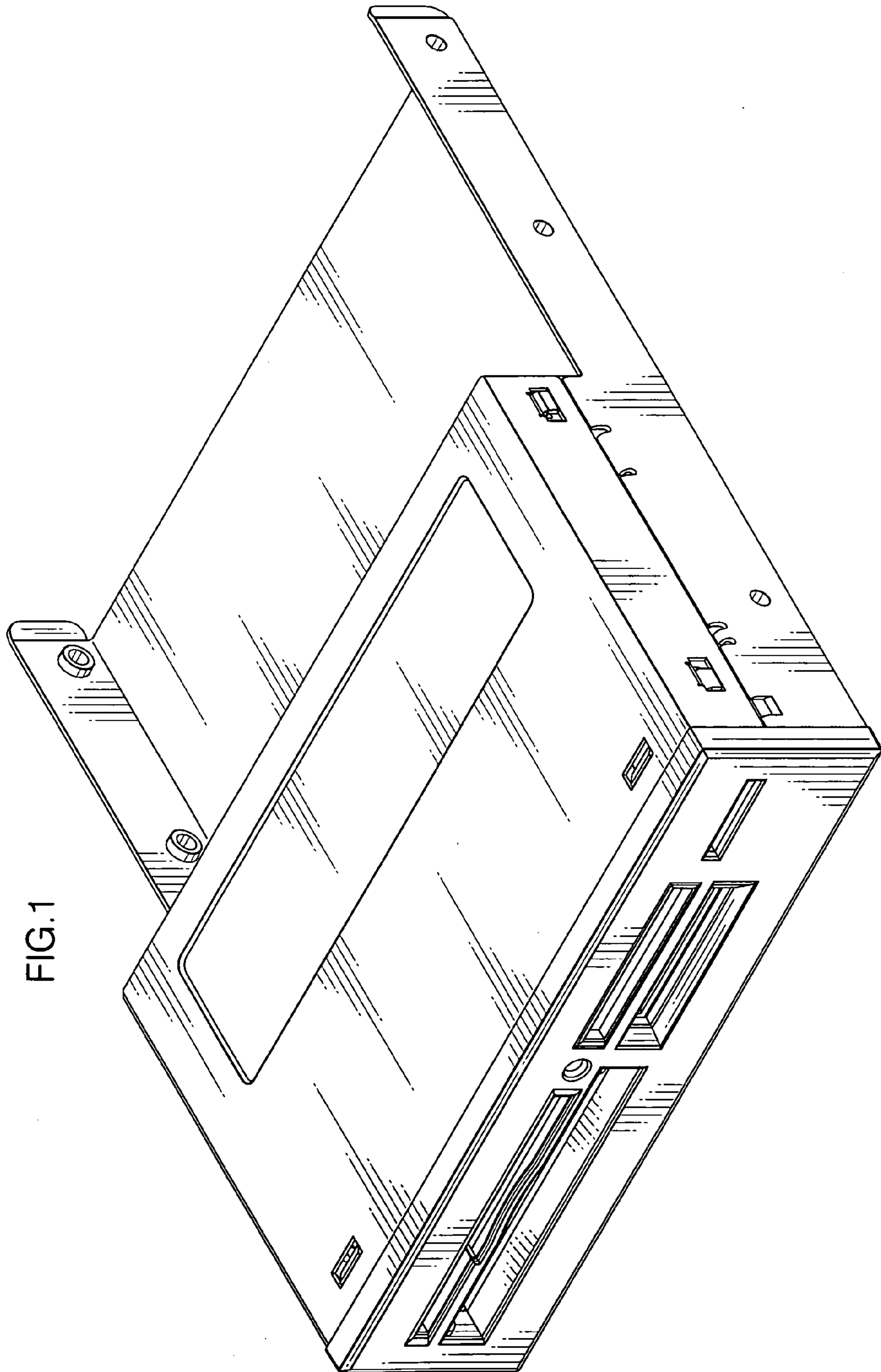


FIG. 1

FIG.2

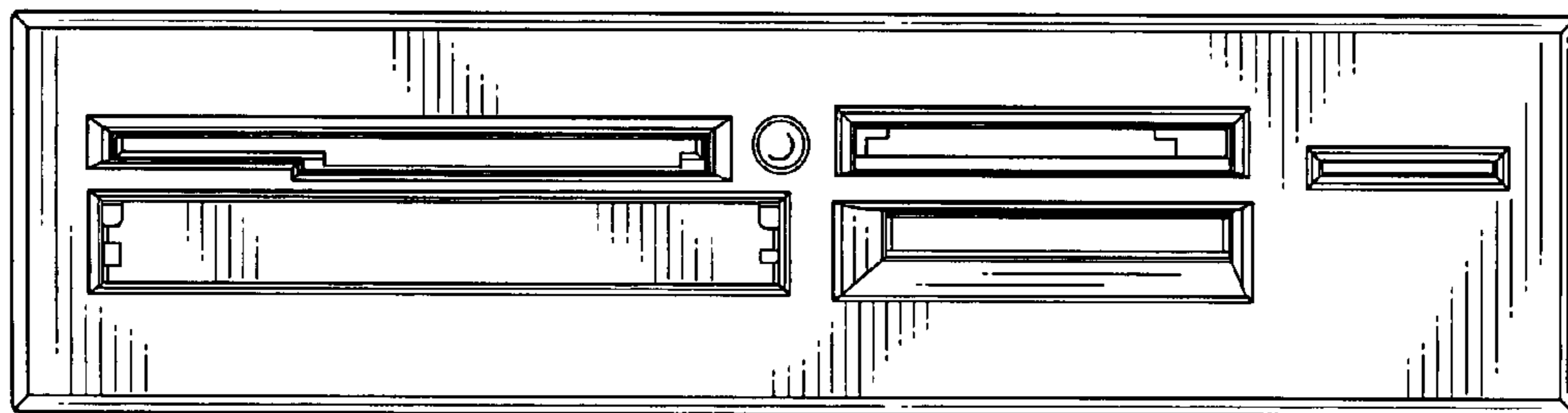


FIG.3

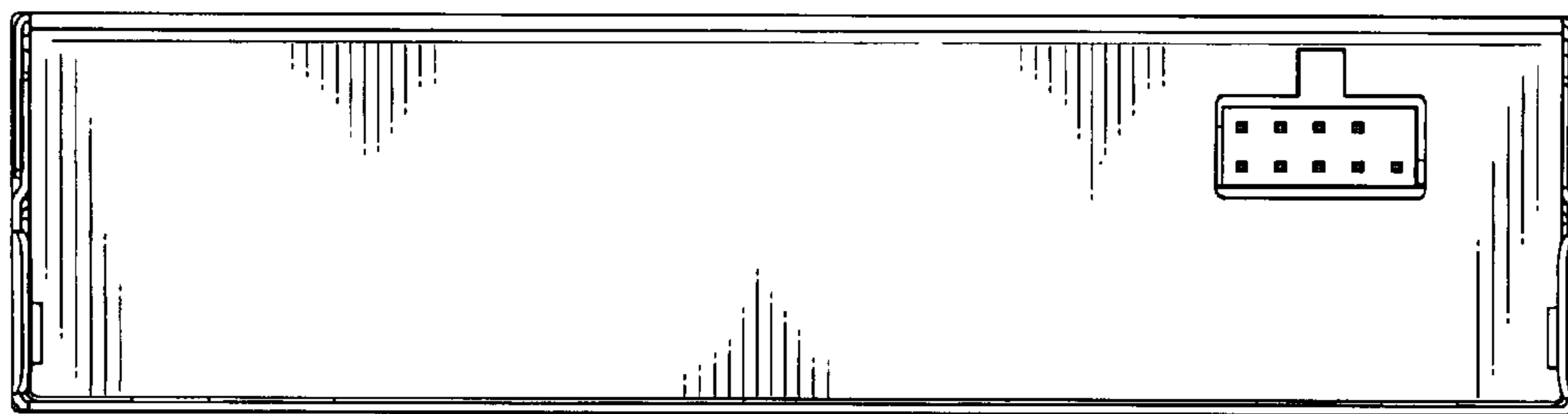


FIG.4

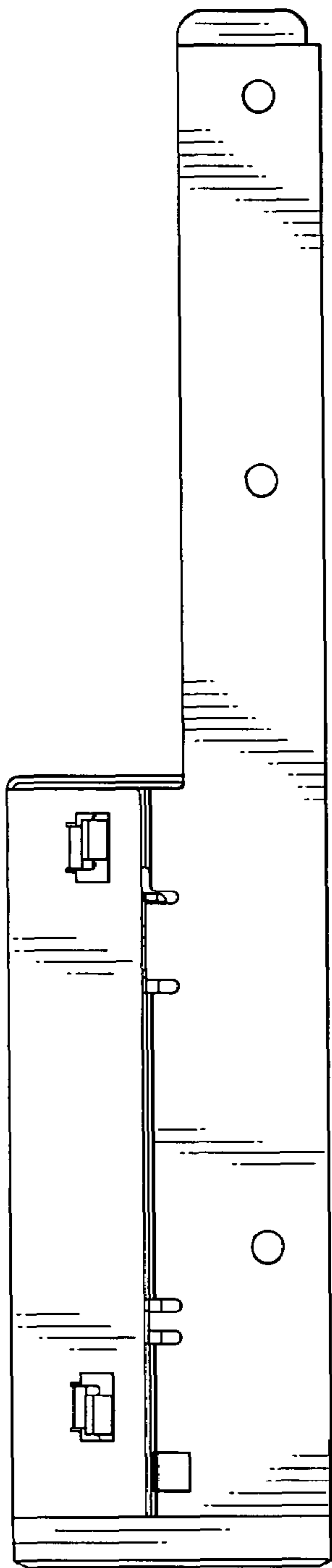


FIG.5

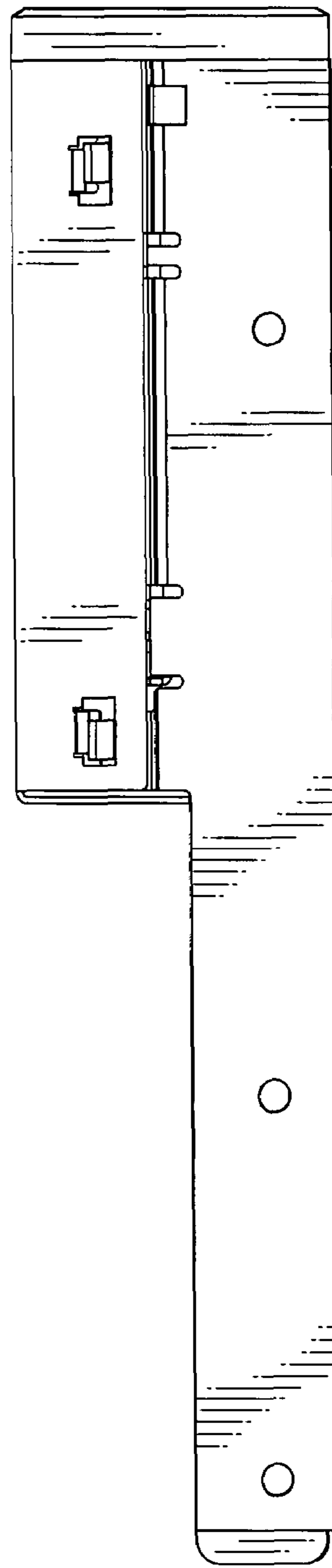


FIG.6

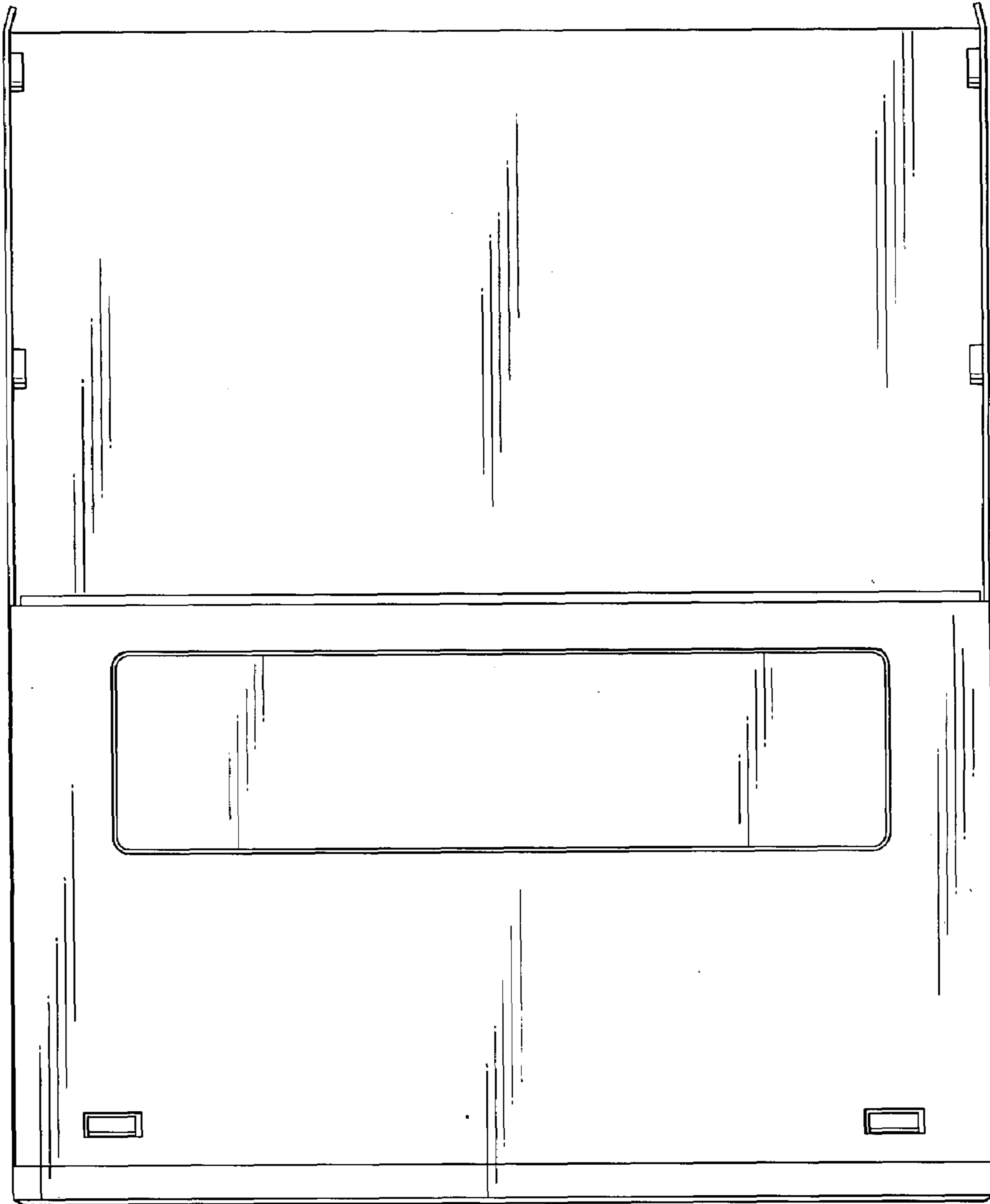


FIG.7

