

US00D563405S

(12) **United States Design Patent**
Taniho et al.

(10) **Patent No.:** **US D563,405 S**
(45) **Date of Patent:** **** Mar. 4, 2008**

(54) **COMPUTER TERMINAL**

(75) Inventors: **Kiichi Taniho**, Kahoku (JP); **Shuji Hashimoto**, Komatsu (JP)

(73) Assignee: **PFU Limited**, Ishikawa (JP)

(**) Term: **14 Years**

(21) Appl. No.: **29/268,406**

(22) Filed: **Nov. 7, 2006**

(30) **Foreign Application Priority Data**

May 17, 2006 (JP) 2006-12407

(51) **LOC (8) Cl.** **14-02**

(52) **U.S. Cl.** **D14/336**

(58) **Field of Classification Search** D14/336,
D14/337, 371, 374, 375, 125-129, 315, 462;
345/104, 156, 168, 169, 172, 173; 348/180,
348/184, 325, 739; 248/917-924; 341/12;
349/1, 2, 11, 62; D18/4.1-4.6; 361/680-686
See application file for complete search history.

(56) **References Cited**

U.S. PATENT DOCUMENTS

D334,567 S * 4/1993 Someya et al. D14/462
D400,869 S * 11/1998 Mannix et al. D14/315

D410,439 S * 6/1999 Shibata D14/336
D424,098 S * 5/2000 Kim D18/4.5
D451,917 S * 12/2001 Rahemtulla et al. D14/337
D474,228 S * 5/2003 Katou et al. D18/4.3
D507,592 S * 7/2005 Mizusugi et al. D18/4.1
D527,760 S * 9/2006 Ono D18/4.5

* cited by examiner

Primary Examiner—Freda S Nunn

(74) *Attorney, Agent, or Firm*—Staas & Halsey LLP

(57) **CLAIM**

The ornamental design for a computer terminal, as shown and described.

DESCRIPTION

FIG. 1 is a front perspective view of a computer terminal showing our new design;

FIG. 2 is a front view thereof;

FIG. 3 is a rear view thereof;

FIG. 4 is a right side elevational view thereof;

FIG. 5 is a left side elevational view thereof;

FIG. 6 is a top plan view thereof;

FIG. 7 is a bottom plan view thereof; and,

FIG. 8 is a right side view of FIG. 1 in another position.

1 Claim, 4 Drawing Sheets

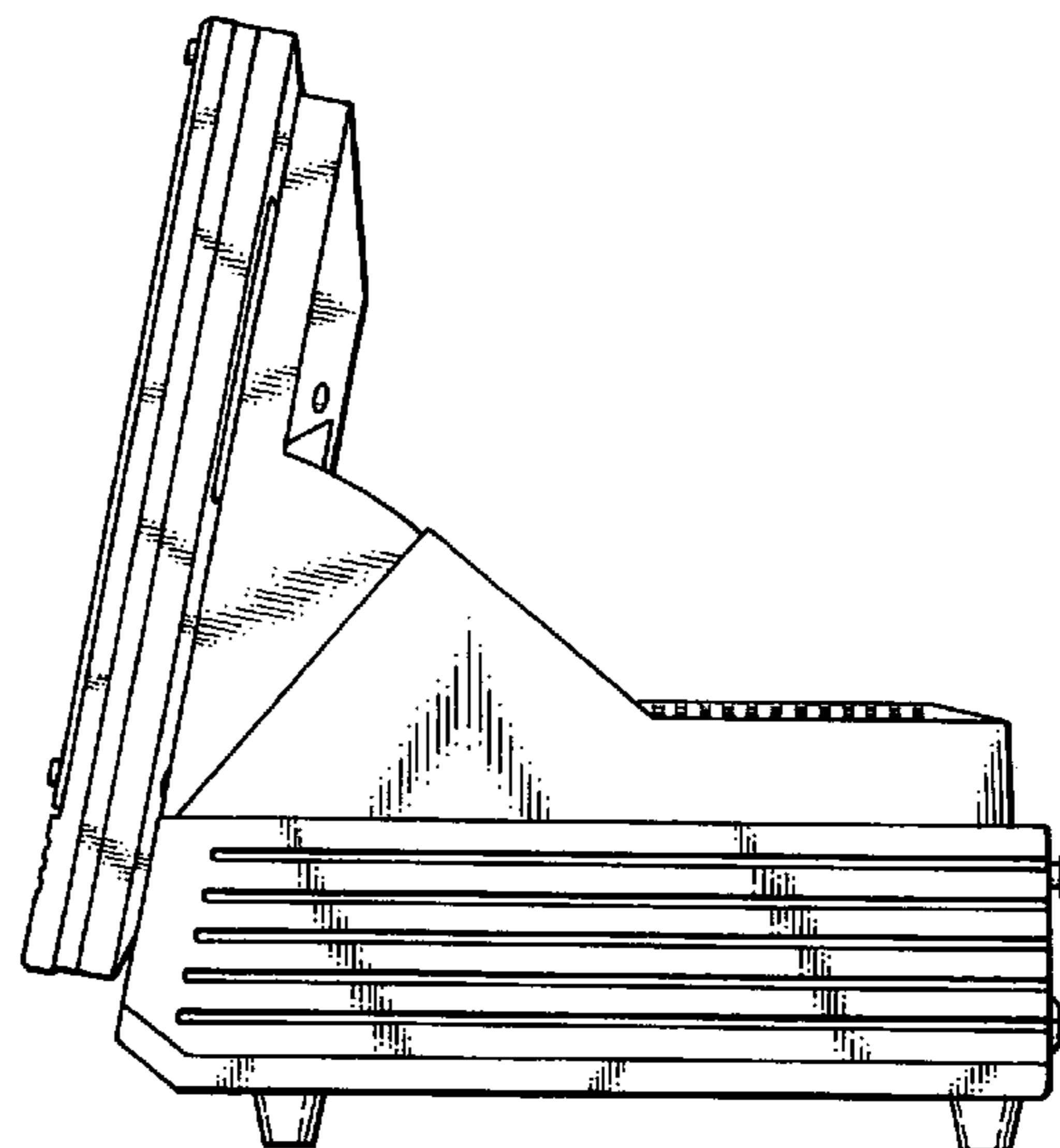
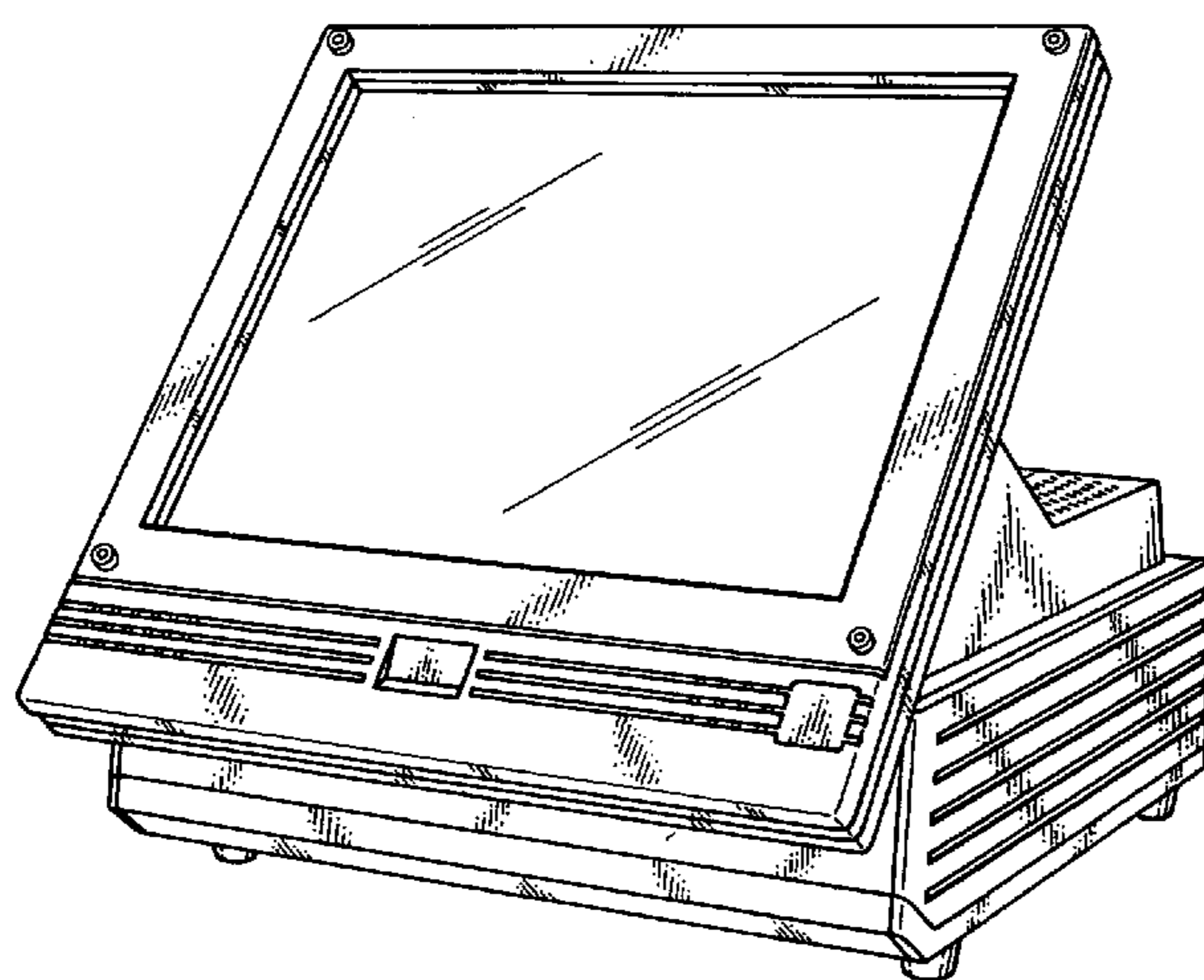


Fig.1

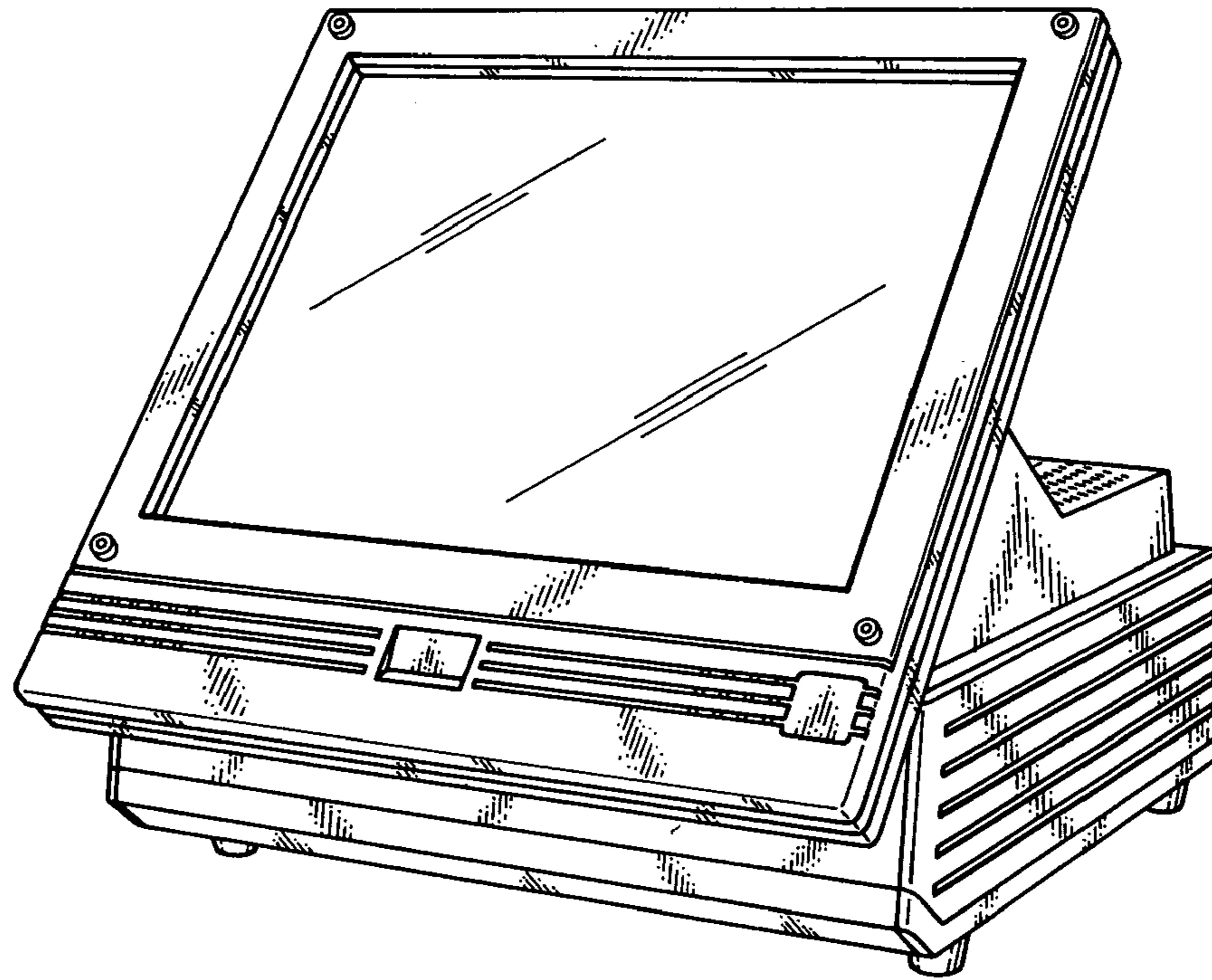


Fig.2

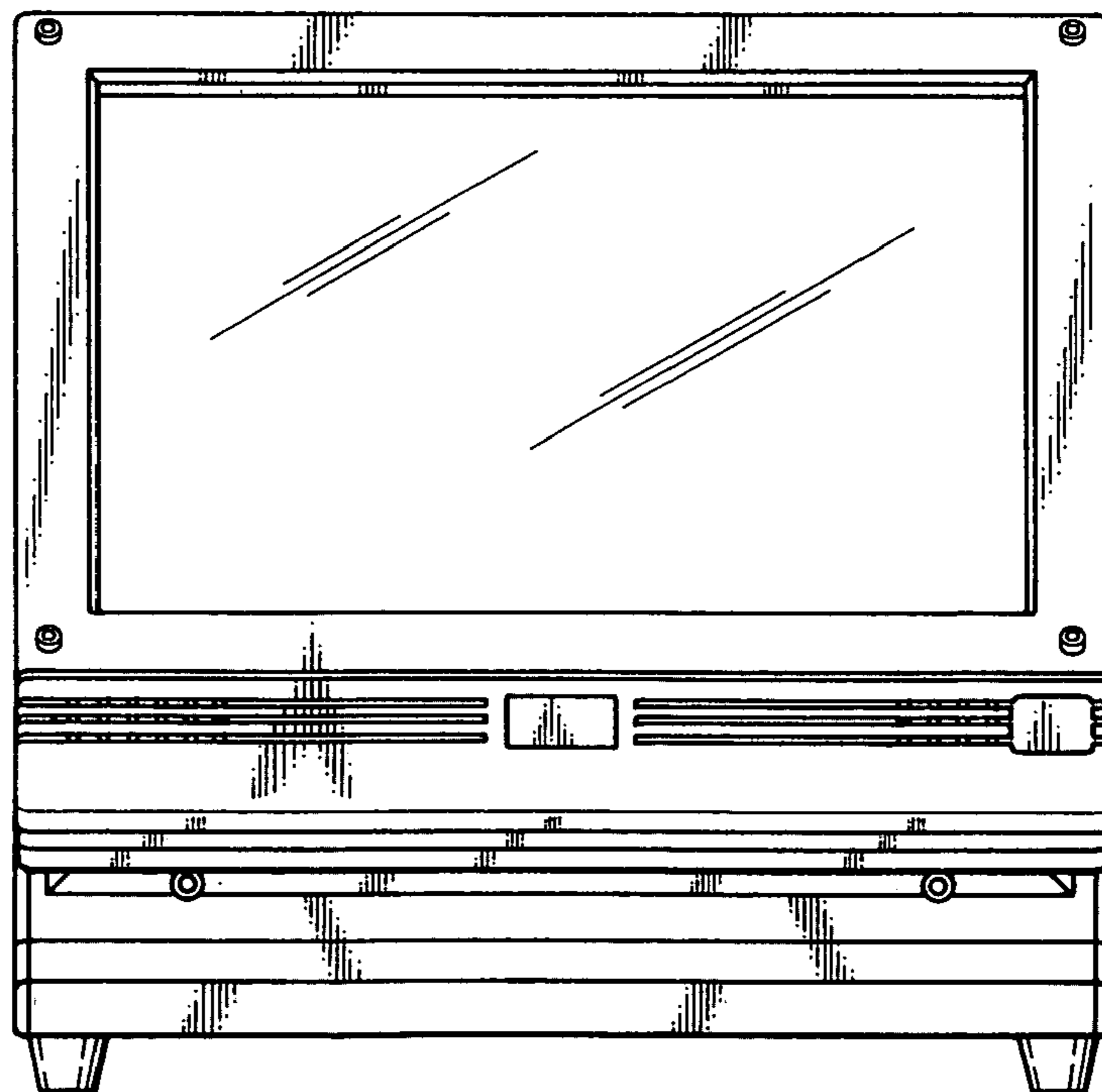


Fig.3

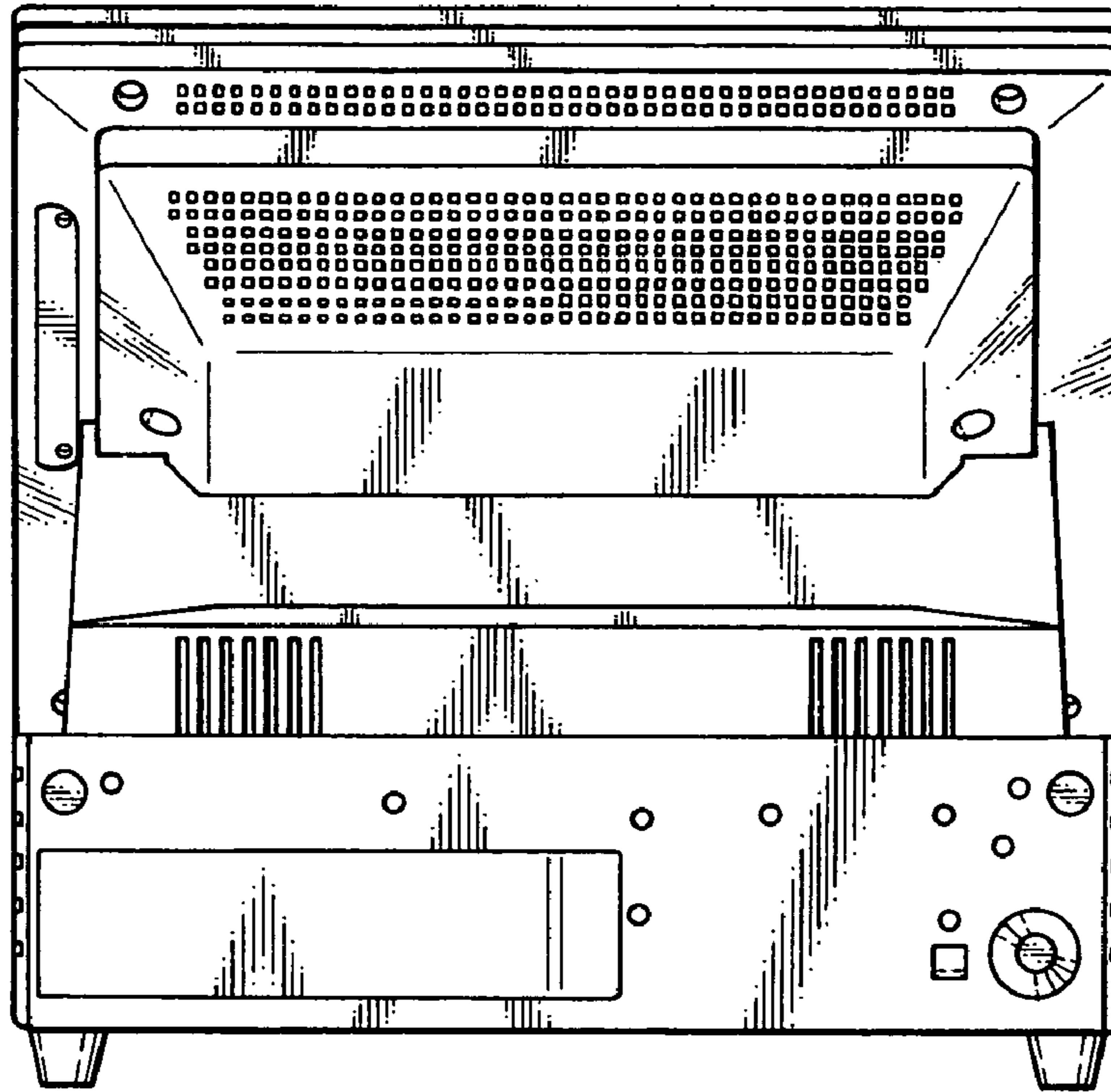


Fig.4

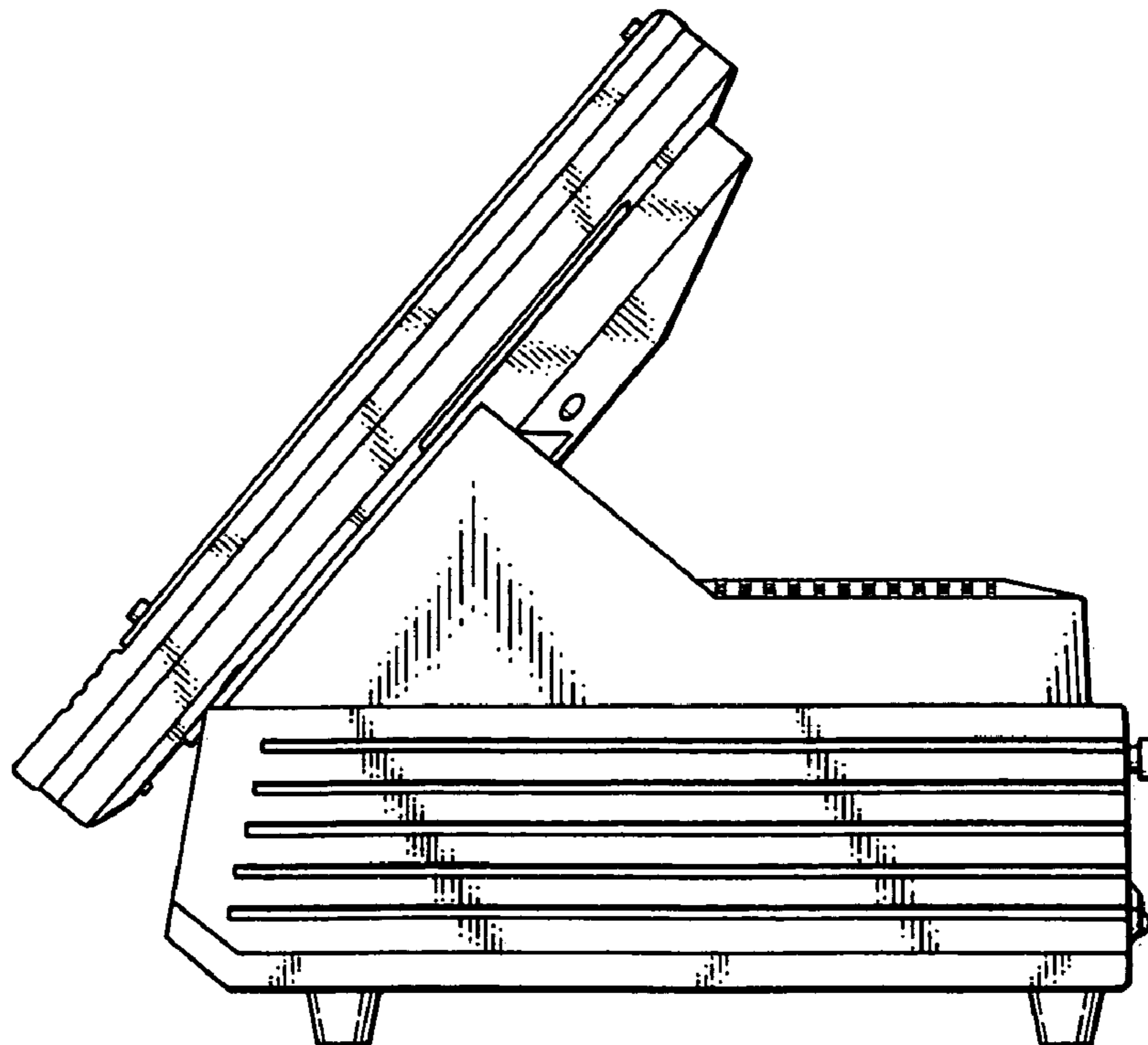


Fig.5

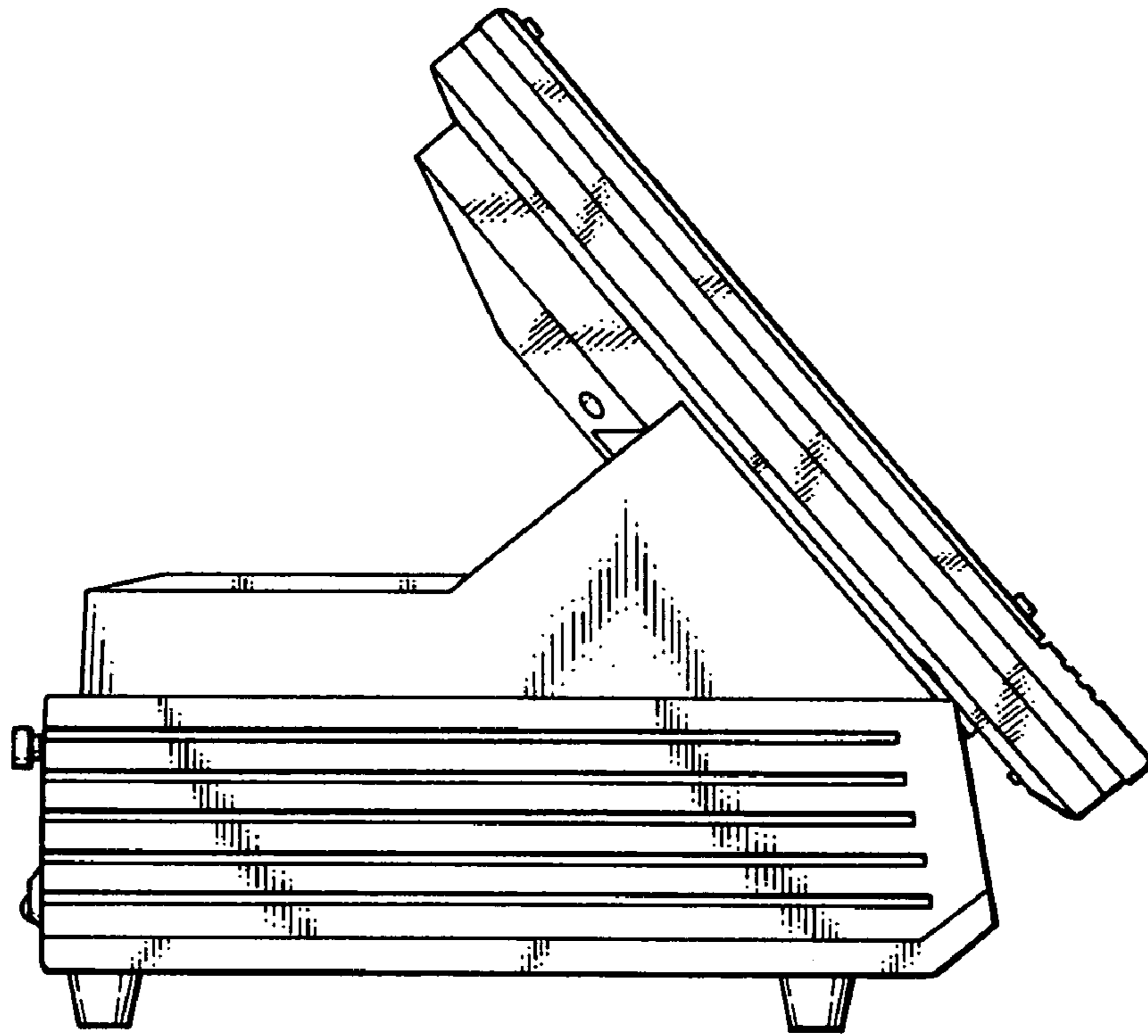


Fig.6

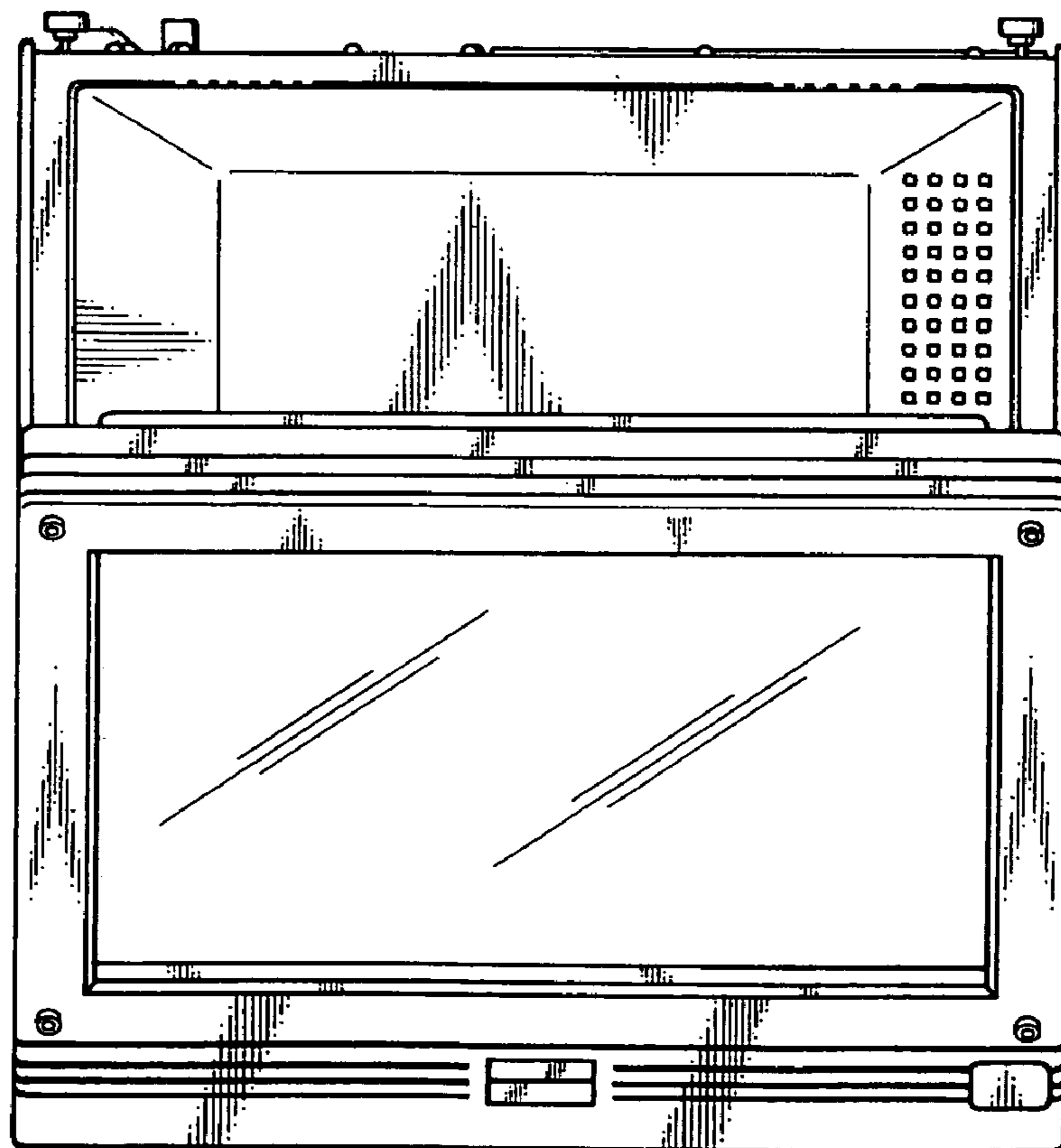


Fig.7

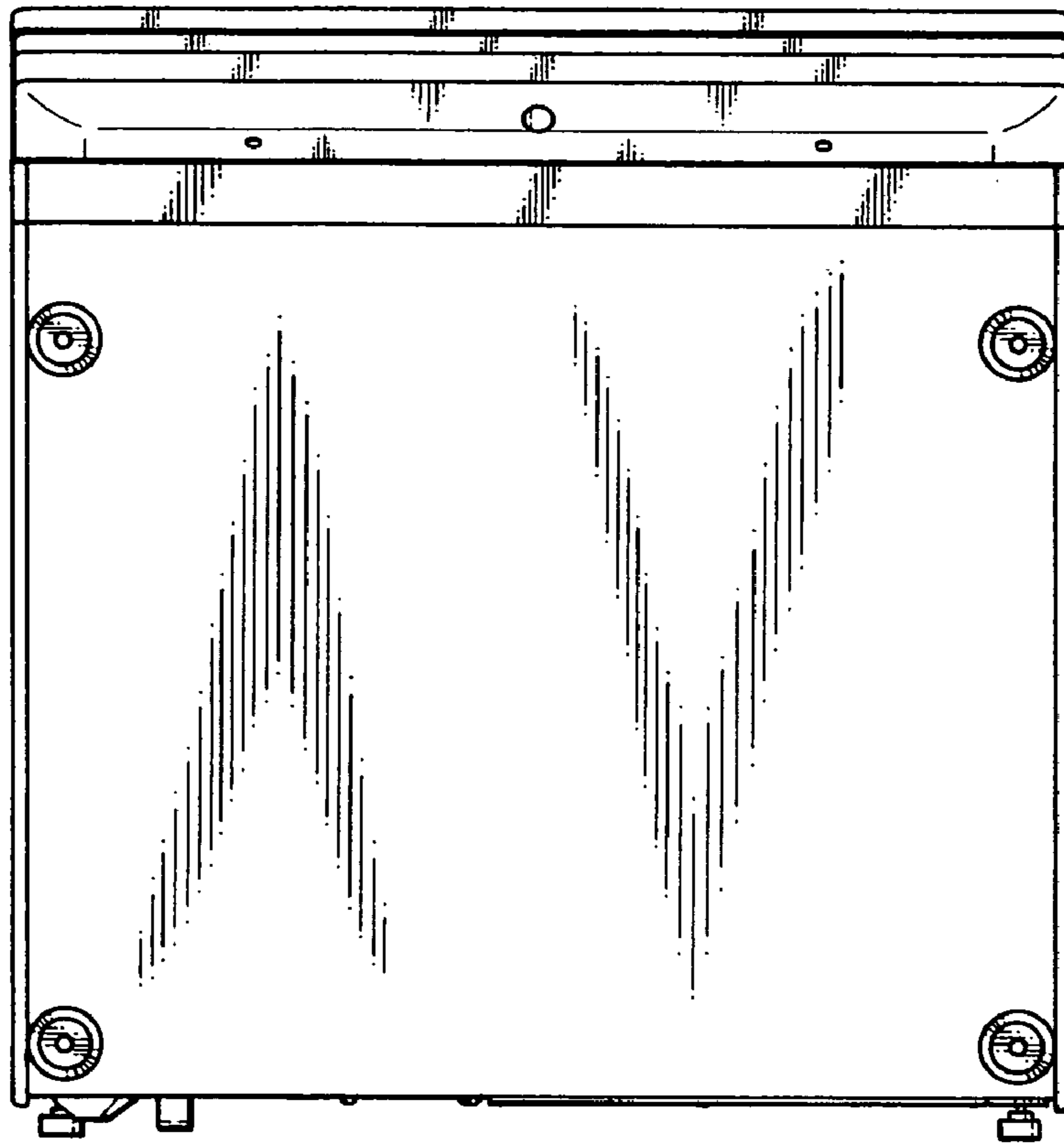


Fig.8

